



US00D982956S

(12) **United States Design Patent** (10) **Patent No.:** **US D982,956 S**
Chen (45) **Date of Patent:** **** Apr. 11, 2023**

(54) **CHARCOAL PIZZA OVEN**
(71) Applicant: **Dongguan HaoHong Outdoor Products Technology Co., Ltd,**
Dongguan (CN)
(72) Inventor: **Jianlin Chen,** Dongguan (CN)
(73) Assignee: **Dongguan HaoHong Outdoor Products Technology Co., Ltd,**
Dongguan (CN)
(**) Term: **15 Years**
(21) Appl. No.: **29/751,715**
(22) Filed: **Sep. 23, 2020**
(30) **Foreign Application Priority Data**
Jun. 18, 2020 (CN) 202030315124.5
(51) **LOC (14) Cl.** **07-02**
(52) **U.S. Cl.**
USPC **D7/348**
(58) **Field of Classification Search**
USPC D7/323, 327, 328, 329, 332, 333, 334,
D7/335, 339, 340, 341, 346, 347, 348,
D7/350.1, 350.2, 350.3, 350.4, 352, 362,
D7/365, 367, 402, 403, 404; D23/329,
D23/338, 339, 342, 343, 402
CPC ... A21B 2/00; A47J 33/00; A47J 36/38; A47J
37/00; A47J 37/06; A47J 37/0623; A47J
37/0629; A47J 37/0635; A47J 37/0647;
A47J 37/0652; A47J 37/0658; A47J
37/07; A47J 37/0704; A47J 37/0709;
A47J 37/0713; A47J 37/0763; F24B
1/181; F23B 20/00; F24C 1/16; F24C
5/20
See application file for complete search history.

(56) **References Cited**
U.S. PATENT DOCUMENTS
1,199,605 A * 9/1916 Potter F24B 1/205
126/29
D245,509 S * 8/1977 Ulmer D23/343
D251,385 S * 3/1979 Zimmer A47J 37/0658
D23/343
D272,557 S * 2/1984 Williamson D23/343
(Continued)
FOREIGN PATENT DOCUMENTS
CN 034244099 * 8/2017
GB 6059882 * 5/2019

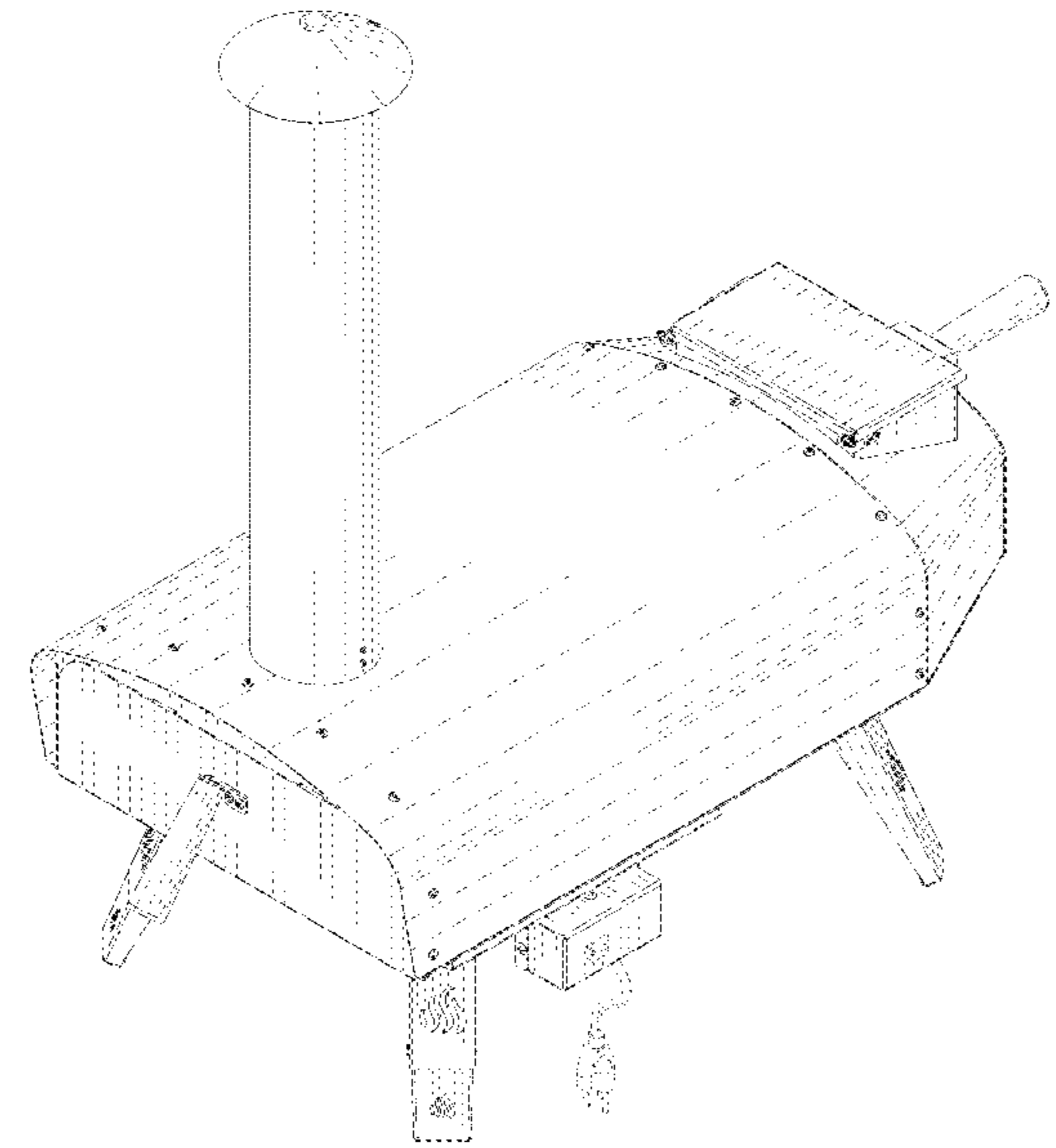
OTHER PUBLICATIONS
BBQStar Outdoor Wood Fired Pizza Oven, posted at Amazon.com on (Jun. 4, 2019), [site visited Apr. 8, 2022]. Available from internet, URL: <<https://www.amazon.com/BBQSTAR-Outdoor-Stainless-Portable-Tabletop/dp/B07SM7Z8GY/>> (Year: 2019).*
(Continued)

Primary Examiner — Andrew Kerr
Assistant Examiner — Chariton Alexakis

(57) **CLAIM**
The ornamental design for a charcoal pizza oven, as shown and described.

DESCRIPTION
FIG. 1 is a perspective view of a charcoal pizza oven showing my new design;
FIG. 2 is a front view thereof;
FIG. 3 is a rear view thereof;
FIG. 4 is a left side view thereof;
FIG. 5 is a right side view thereof.
FIG. 6 is a top view thereof; and,
FIG. 7 is a bottom side view thereof.
The broken lines in the drawings depict portions of the charcoal pizza oven that form no part of the claimed design.

1 Claim, 7 Drawing Sheets



(56)

References Cited

U.S. PATENT DOCUMENTS

6,213,004 B1 * 4/2001 Franco A47J 37/0629
 99/341
 D517,853 S * 3/2006 Mata, Jr. D7/332
 D845,695 S * 4/2019 Wu D7/334
 D849,908 S * 5/2019 Wu D23/343
 D853,774 S * 7/2019 Tapaninaho D7/339
 D862,969 S * 10/2019 Tapaninaho D7/339
 D887,767 S * 6/2020 Huang D7/323
 D909,551 S * 2/2021 Wu D23/342
 D925,962 S * 7/2021 Tapaninaho D7/332
 2012/0167868 A1 * 7/2012 Chang F24B 5/08
 126/273 R
 2019/0049117 A1 * 2/2019 Tapaninaho A47J 37/0704
 2020/0229448 A1 * 7/2020 Moretti F24C 15/08
 2020/0345176 A1 * 11/2020 Bert F23Q 13/02

2021/0392904 A1 * 12/2021 Raio A47J 37/0658
 2021/0392905 A1 * 12/2021 Huang A21B 1/33
 2022/0061588 A1 * 3/2022 Yan A47J 37/0658

OTHER PUBLICATIONS

Gyber Fremont Portable Pizza Oven, posted at Amazon.com on (Feb. 22, 2020), [site visited Apr. 8, 2022]. Available from internet, URL: <<https://www.amazon.com/dp/B089RB4SLC/>> (Year: 2020).*
 Ooni Fyra Wood Outdoor Pizza Oven, posted at Amazon.com on May 15, 2020, [site visited Apr. 7, 2022]. Available from internet, URL: <<https://www.amazon.com/Ooni-Fyra-Outdoor-Portable-Kitchen/dp/B088385N9Z/>> (Year: 2020).*
 Mimiuo Outdoor Pizza Oven, posted at Amazon.com on Oct. 16, 2020, [site visited Apr. 8, 2022]. Available from internet, URL: <<https://www.amazon.com/Mimiuo-Portable-Pellet-Pizza-Foldable/dp/B08L8NZH2X/>> (Year: 2020).*

* cited by examiner

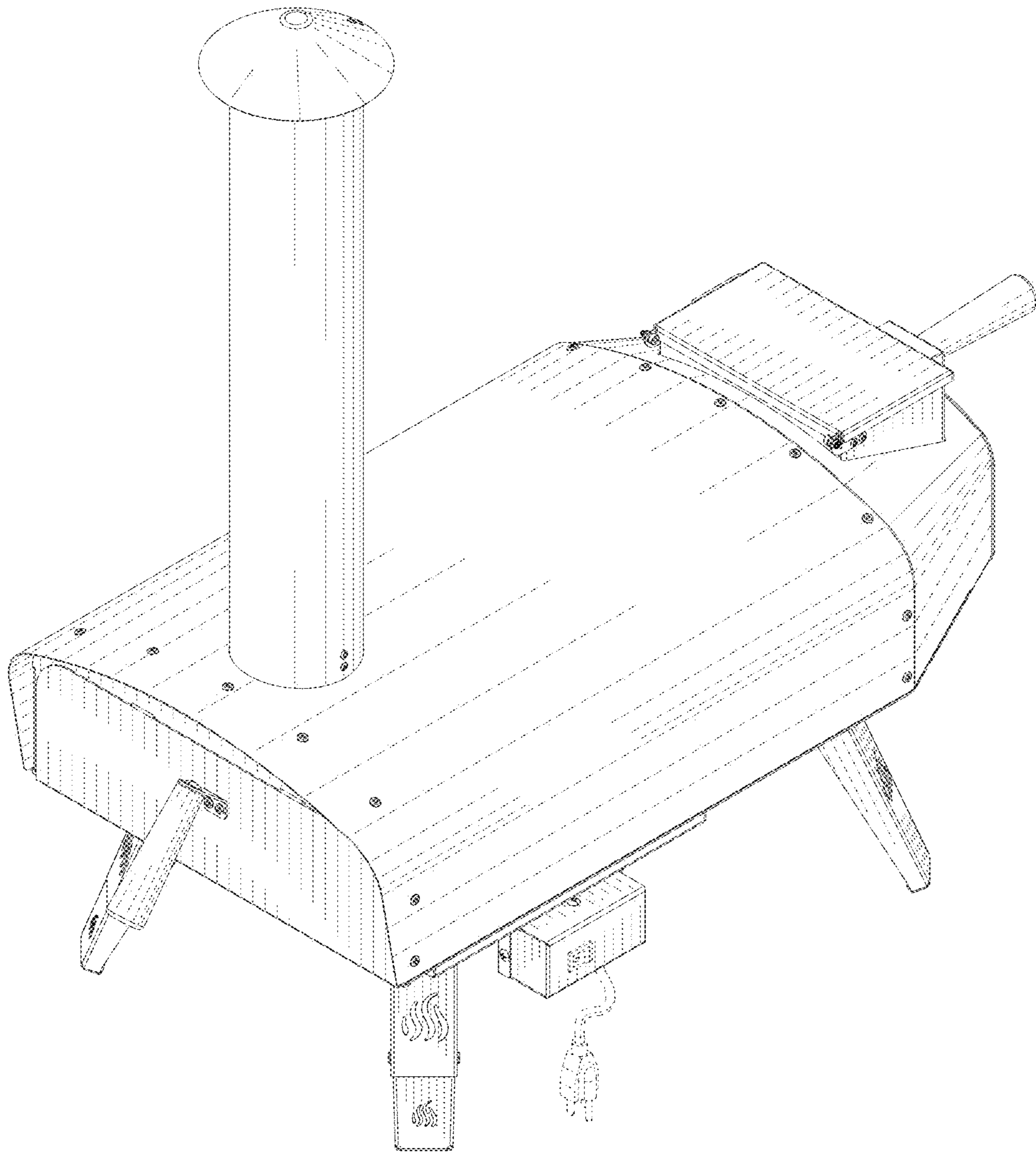


FIG. 1

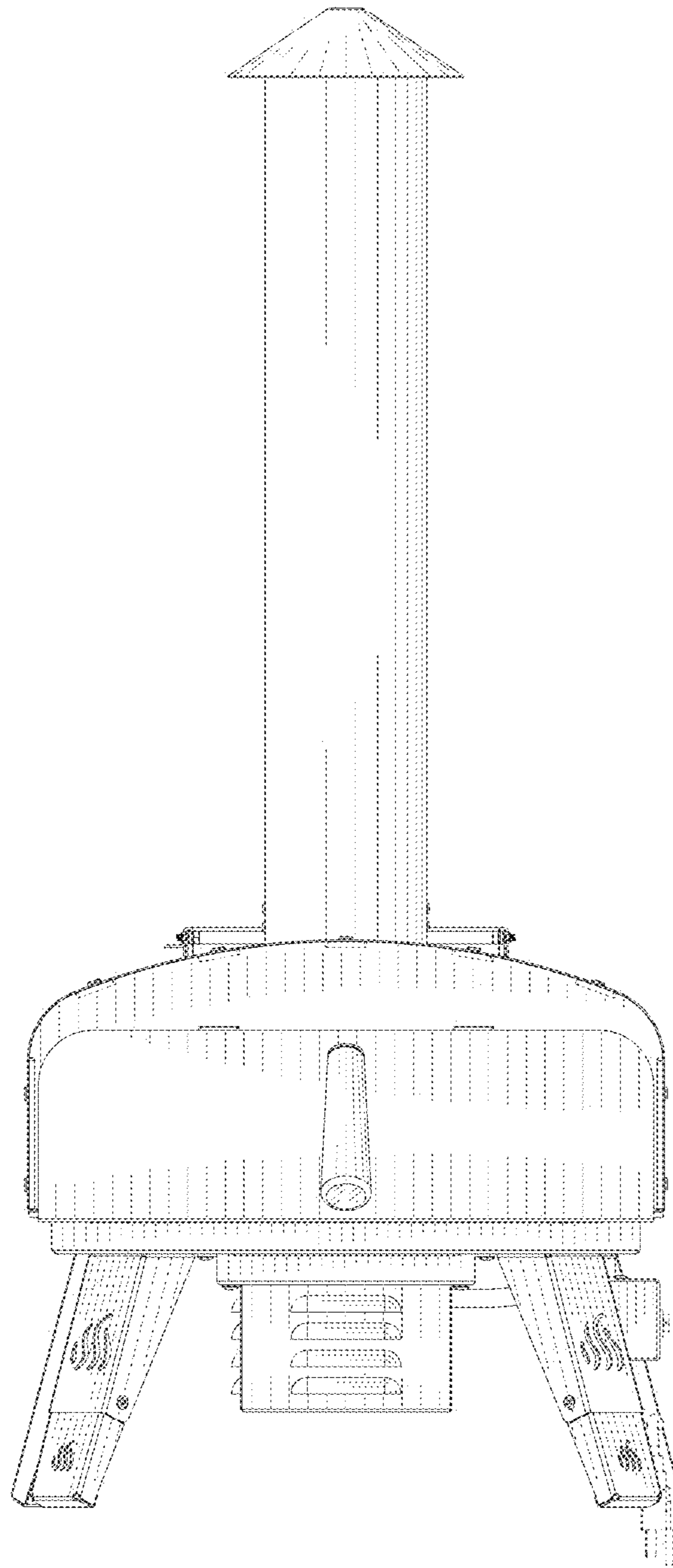


FIG. 2

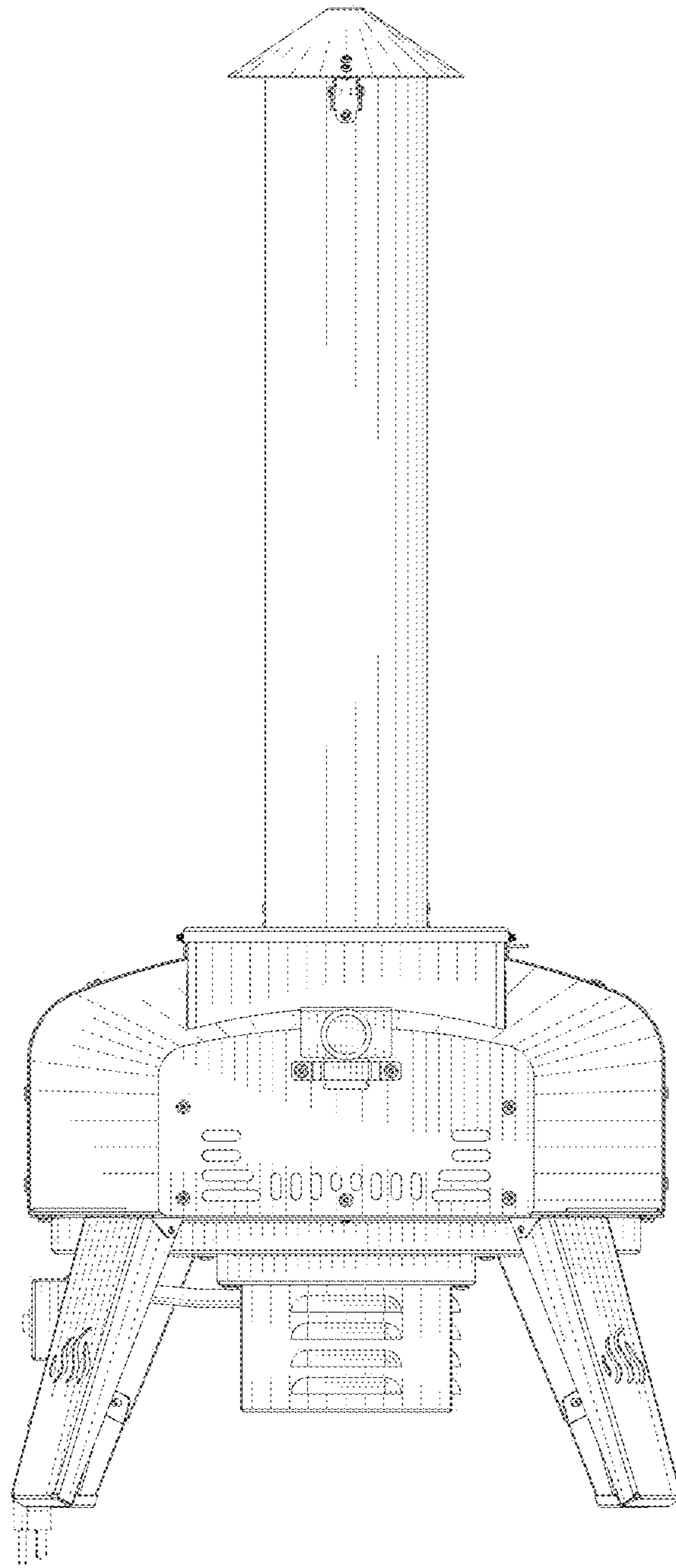


FIG. 3

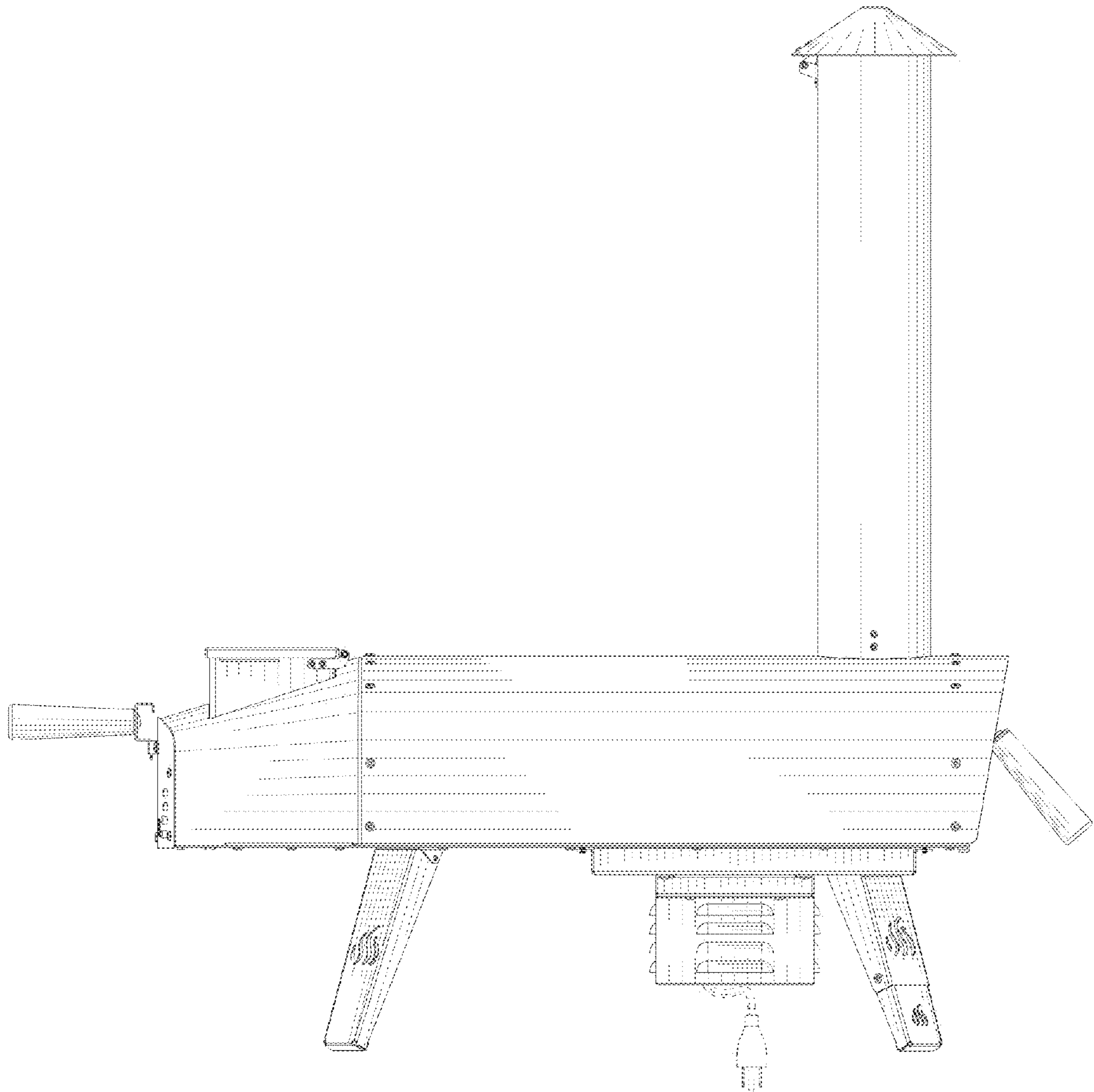


FIG. 4

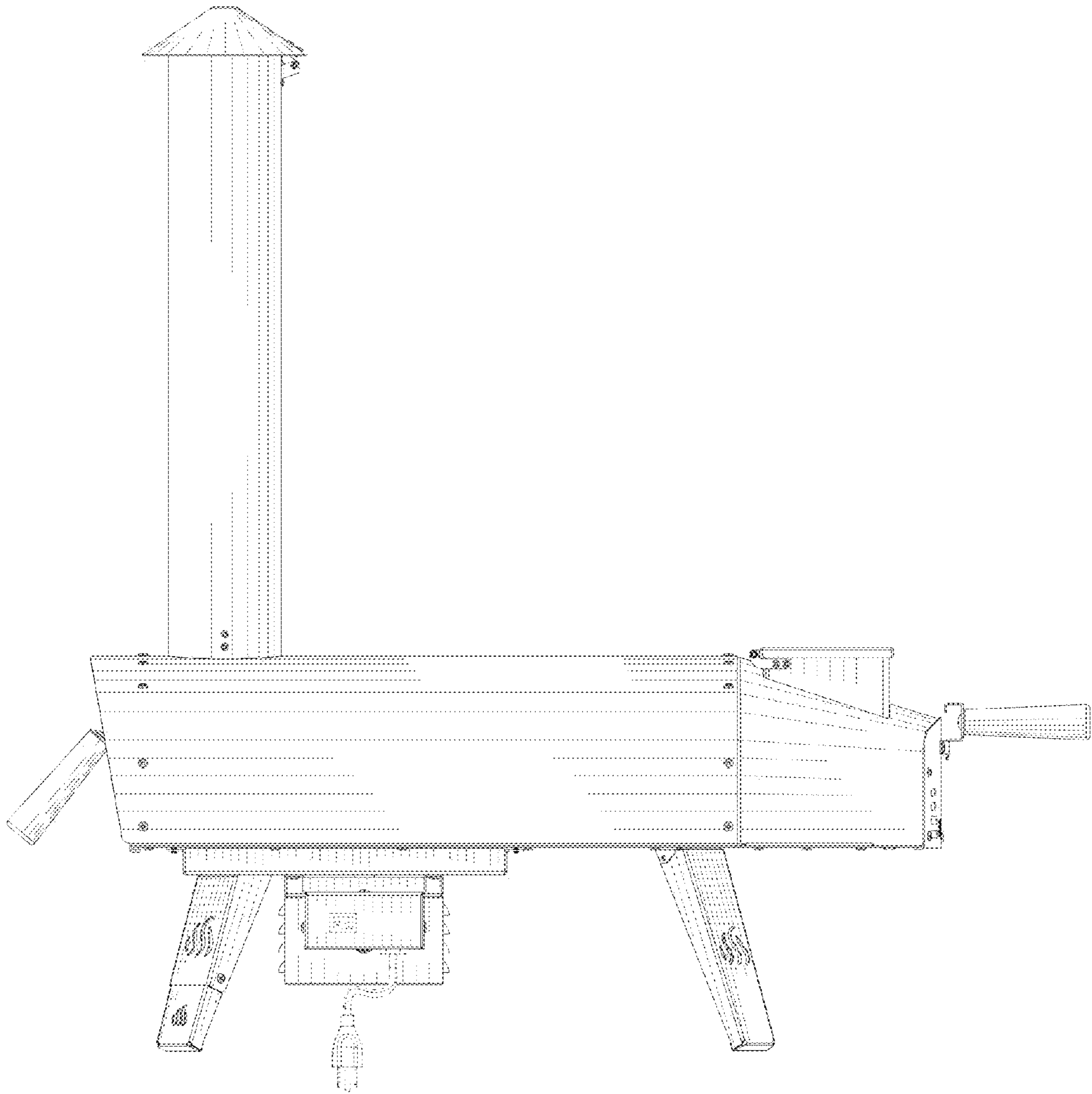


FIG. 5

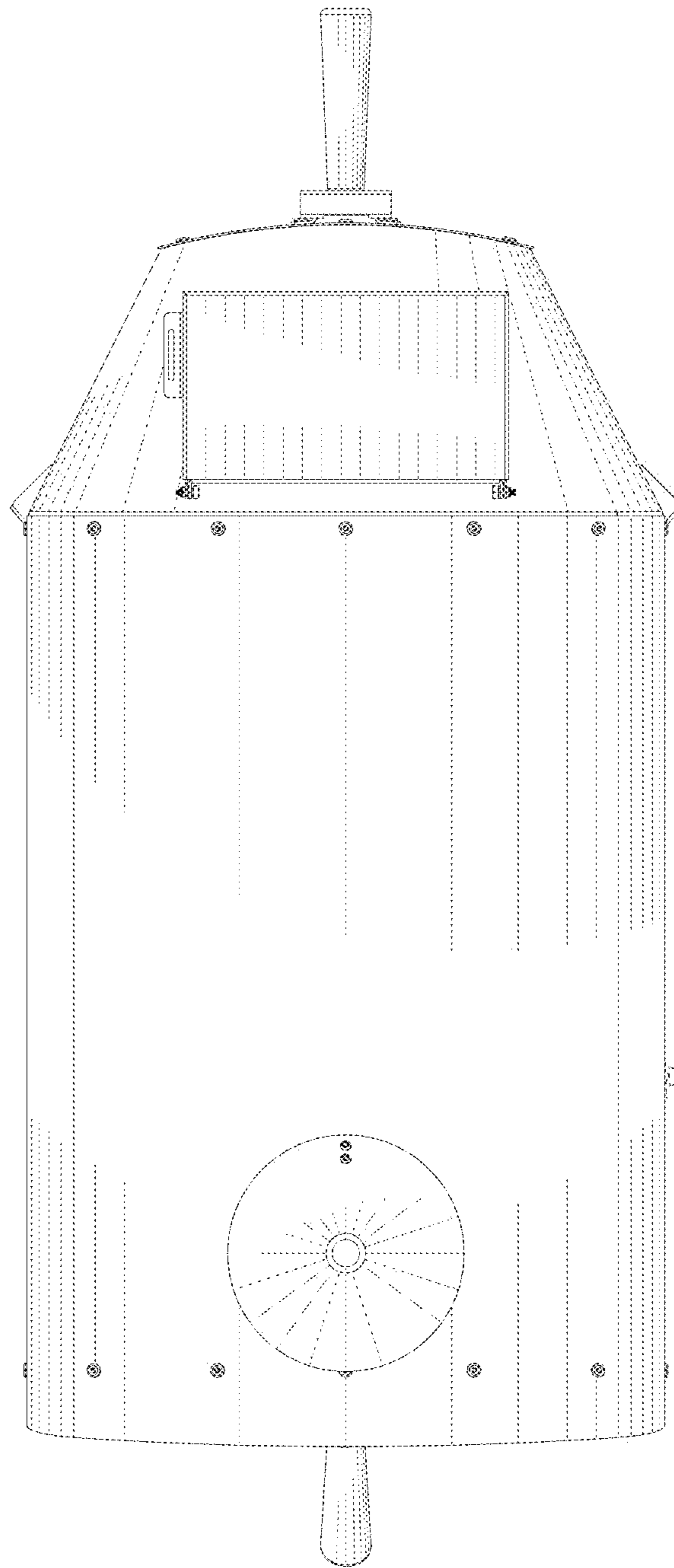


FIG. 6

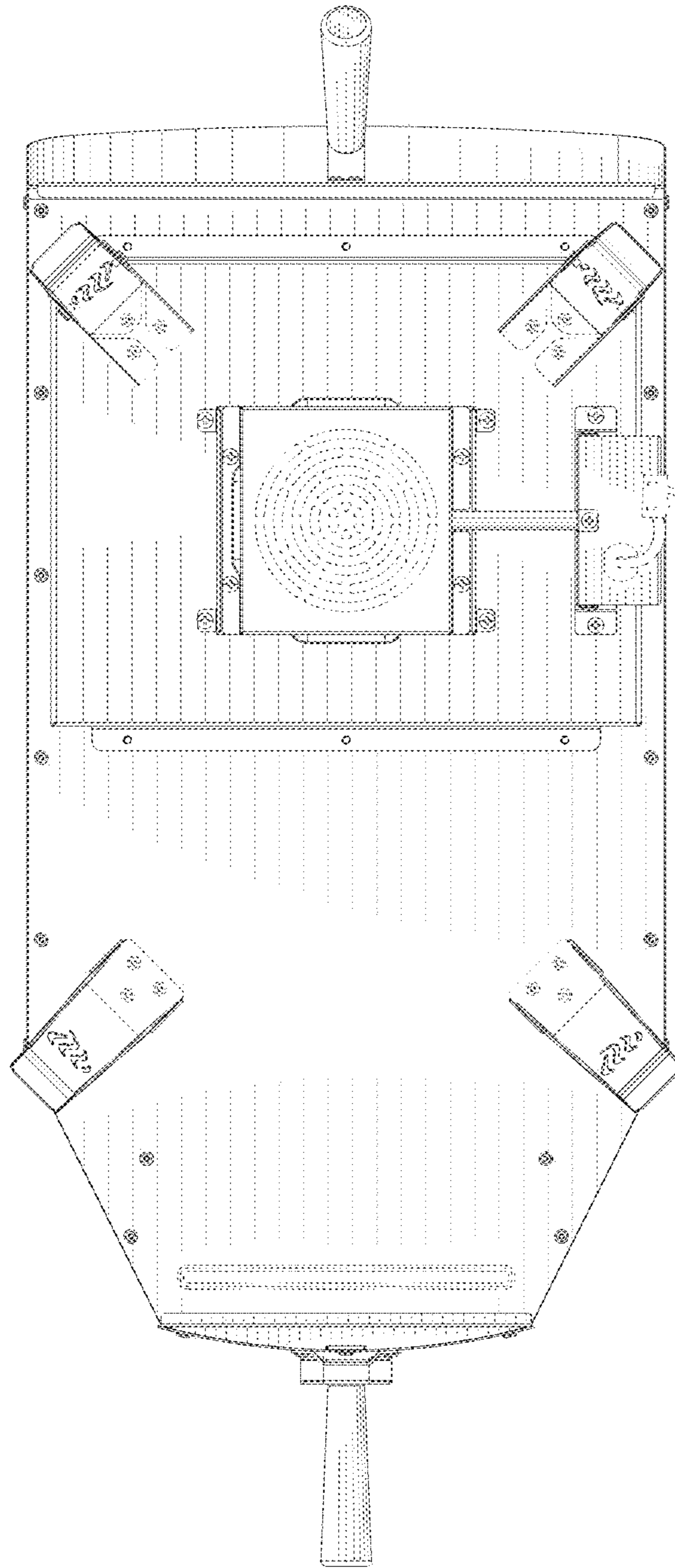


FIG. 7