



US00D982955S

(12) **United States Design Patent** (10) **Patent No.:** **US D982,955 S**
Passantino et al. (45) **Date of Patent:** **** Apr. 11, 2023**

(54) **SMOKE BARREL**

Primary Examiner — Brett Miller

(71) Applicant: **Digital Distillery LLC**, North Kansas City, MO (US)

(74) *Attorney, Agent, or Firm* — Hovey Williams LLP

(72) Inventors: **James Patrick Passantino**, Lenexa, KS (US); **JinChen Li**, Liberty, MO (US); **Aaron Wilt**, Parkville, MO (US)

(57) **CLAIM**

The ornamental design for a smoke barrel, as shown and described.

(73) Assignee: **Digital Distillery LLC**, North Kansas City, MO (US)

DESCRIPTION

(**) Term: **15 Years**

This application is being filed contemporaneously with application for U.S. Design application No. 29/832,869, filed Mar. 30, 2022, entitled Smoke Lid, which is hereby incorporated by reference herein.

(21) Appl. No.: **29/832,874**

(22) Filed: **Mar. 30, 2022**

FIG. 1 is an upper front perspective view of a smoke barrel embodying our design, with the smoke barrel including a barrel body, a shiftable barrel door, and barrel rings, and with the broken lines depicting features of a barrel lid that forms no part of the claimed design;

(51) **LOC (14) Cl.** **31-00**

(52) **U.S. Cl.**

USPC **D7/323**; D34/39

(58) **Field of Classification Search**

USPC D7/323, 327, 332, 334–337, 338, 339, D7/347–348, 350.1, 350.2, 367, 402–409, D7/313; D23/342, 343, 348–350; D34/39

FIG. 2 is an upper front perspective view of the smoke barrel similar to FIG. 1, but showing the barrel door opened to permit access to the barrel interior;

CPC A47J 37/0623; A47J 37/0664; A47J 37/0658; A47J 37/0786; A47J 37/0694

FIG. 3 is a lower rear perspective view of the smoke barrel shown in FIG. 1;

See application file for complete search history.

FIG. 4 is a lower front perspective view of the smoke barrel shown in FIGS. 1 and 3;

(56) **References Cited**

U.S. PATENT DOCUMENTS

459,646 A	9/1891	Roth
611,003 A	9/1898	Pleukharp
D133,722 S	9/1942	Ladd
3,259,055 A	7/1966	Labs
3,372,633 A	3/1968	Horlander, Jr.

(Continued)

OTHER PUBLICATIONS

Aged & Charred Store, Smoke Barrel Kit, Apr. 7, 2022, Amazon, <https://www.amazon.com/Aged-Charred-Smoke-Barrel-Kit/dp/B09HRBX39V> (Year: 2022).*

(Continued)

FIG. 5 is an upper rear perspective view of the smoke barrel shown in FIGS. 1, 3, and 4;

FIG. 6 is a front elevational view of the smoke barrel shown in FIGS. 1 and 3-5;

FIG. 7 is a right side elevational view of the smoke barrel shown in FIGS. 1 and 3-6, with the left side elevational view being a mirror image thereof;

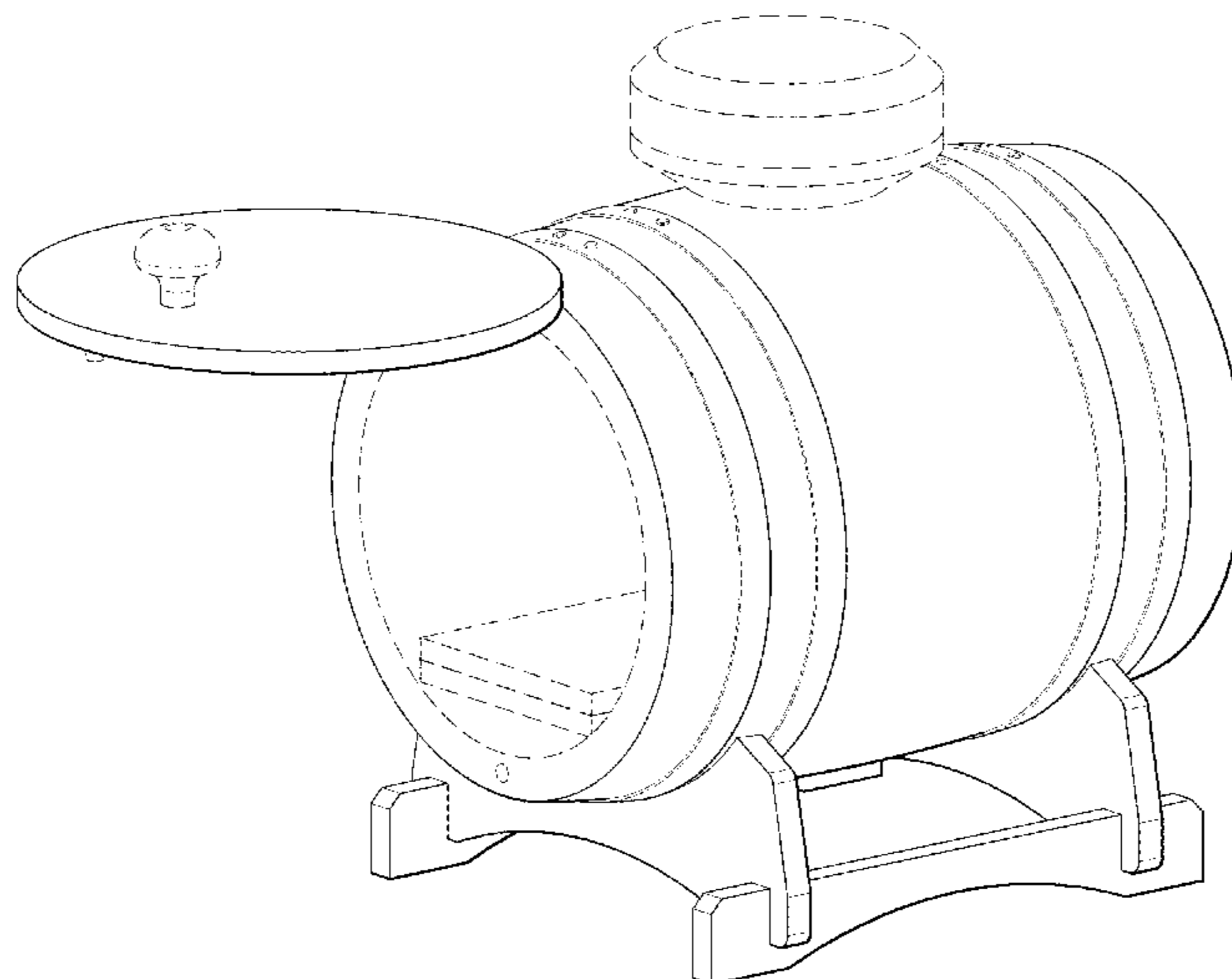
FIG. 8 is a rear elevational view of the smoke barrel shown in FIGS. 1 and 3-7;

FIG. 9 is a top view of the smoke barrel shown in FIGS. 1 and 3-8; and,

FIG. 10 is a bottom view of the smoke barrel shown in FIGS. 1 and 3-9.

The broken lines shown in the drawings show portions of the smoke barrel that form no part of the claimed design.

1 Claim, 10 Drawing Sheets



(56)

References Cited

U.S. PATENT DOCUMENTS

3,842,723 A 10/1974 Boucher
 D237,856 S * 12/1975 Madson D7/332
 D243,310 S * 2/1977 Heberling D7/337
 D245,161 S * 7/1977 Perkins D7/619.1
 D258,108 S * 2/1981 Cone D7/332
 D282,811 S * 3/1986 Best D7/332
 D370,380 S * 6/1996 McGourthy, Jr. D7/332
 D374,371 S * 10/1996 Hall McDonald D7/332
 D566,631 S * 4/2008 Shahan D12/162
 8,181,408 B1 5/2012 Triglia
 D802,352 S * 11/2017 McCabe D7/332
 D806,461 S * 1/2018 Upston D7/323
 D811,795 S * 3/2018 Upston D7/323
 D820,021 S * 6/2018 Henderson D7/332
 D849,466 S * 5/2019 Formisano D7/348
 D885,112 S 5/2020 Young et al.
 2012/0227842 A1 9/2012 Griffiths et al.
 2021/0068409 A1 3/2021 Sumnar

OTHER PUBLICATIONS

ReCoop Barrels Store, 5 Liter American Oak Whiskey Aging Barrel, Sep. 22, 2016, Amazon, <https://www.amazon.com/Engraved-Gin-Barrel-B524-Liter/dp/B01M1IE340> (Year: 2016).*
 Aimee-JL, 1.5 L Whiskey Barrel, May 17, 2017, Amazon, <https://www.amazon.com/Barrel-Wooden-Storage-Spirits-Barrels/dp/B0711THC6T> (Year: 2017).*
 Amazon.com: 1.5L Oak Aging Barrels, available Feb. 10, 2022 online: www.amazon.com/Barrels-Whiskey-Barrel-Dispenser-Spirits/dp/B07QBXP46/ref=asc_df_B07QBXP46/?tag=hyprod-20.

* cited by examiner

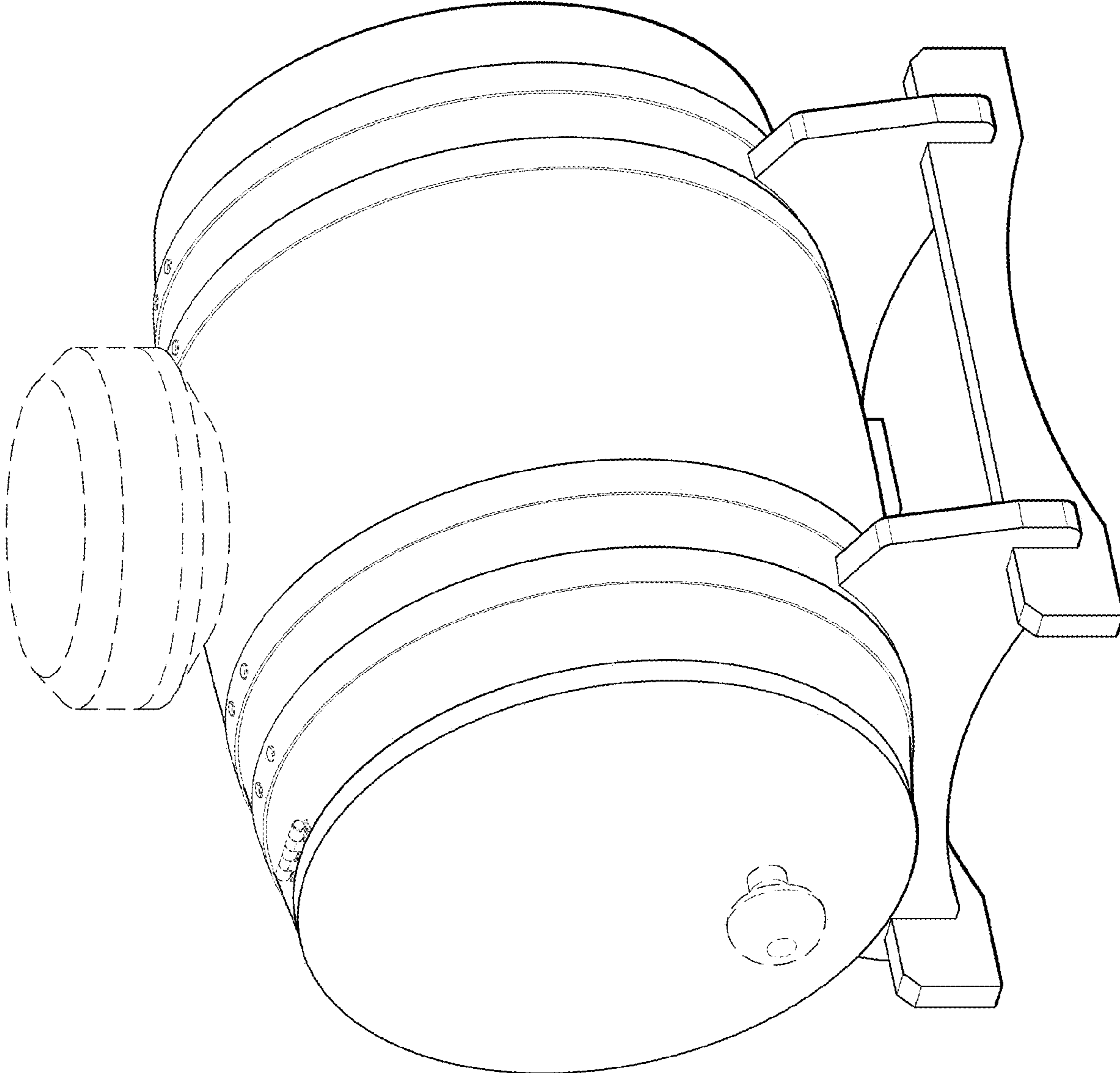


FIG. 1

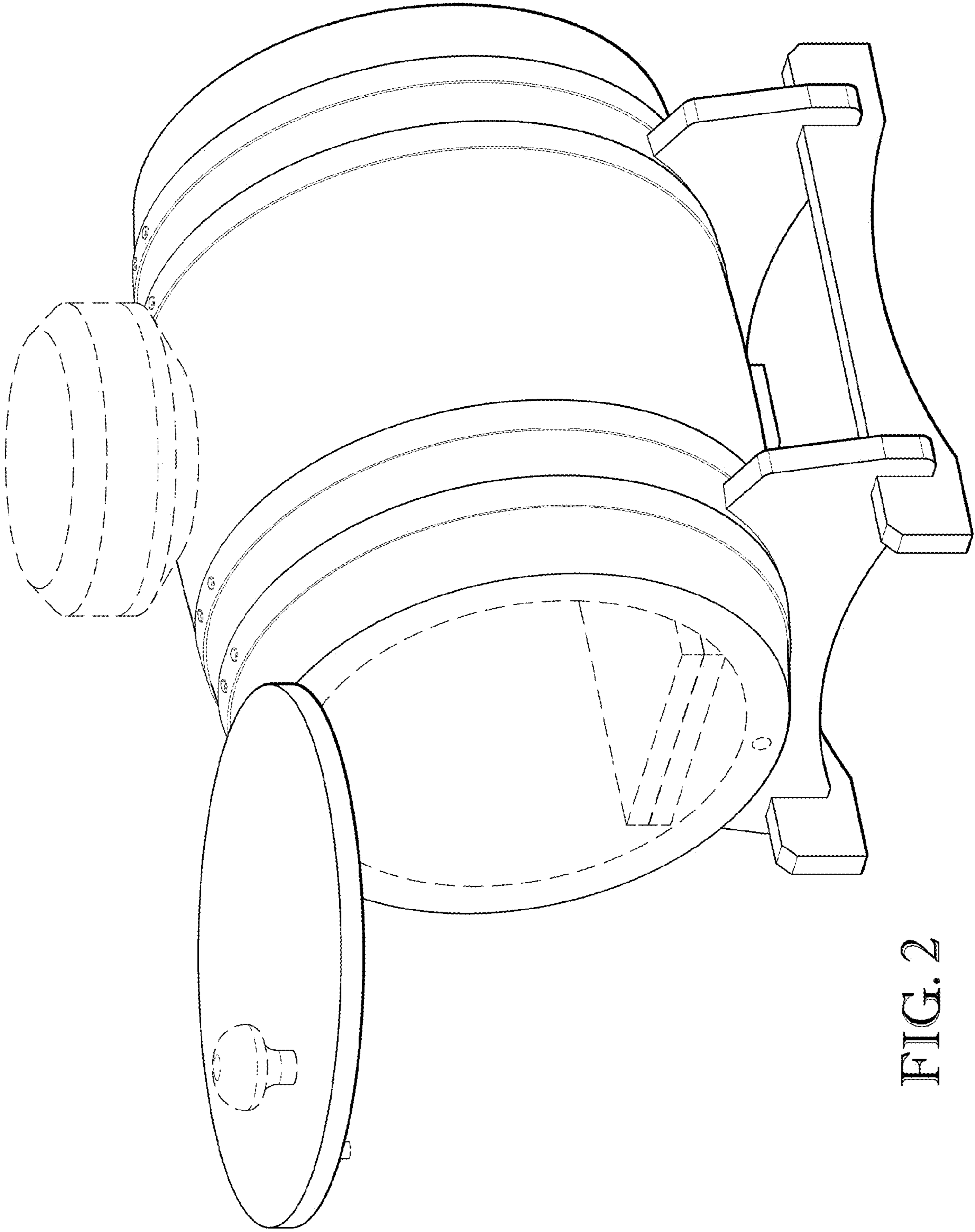


FIG. 2

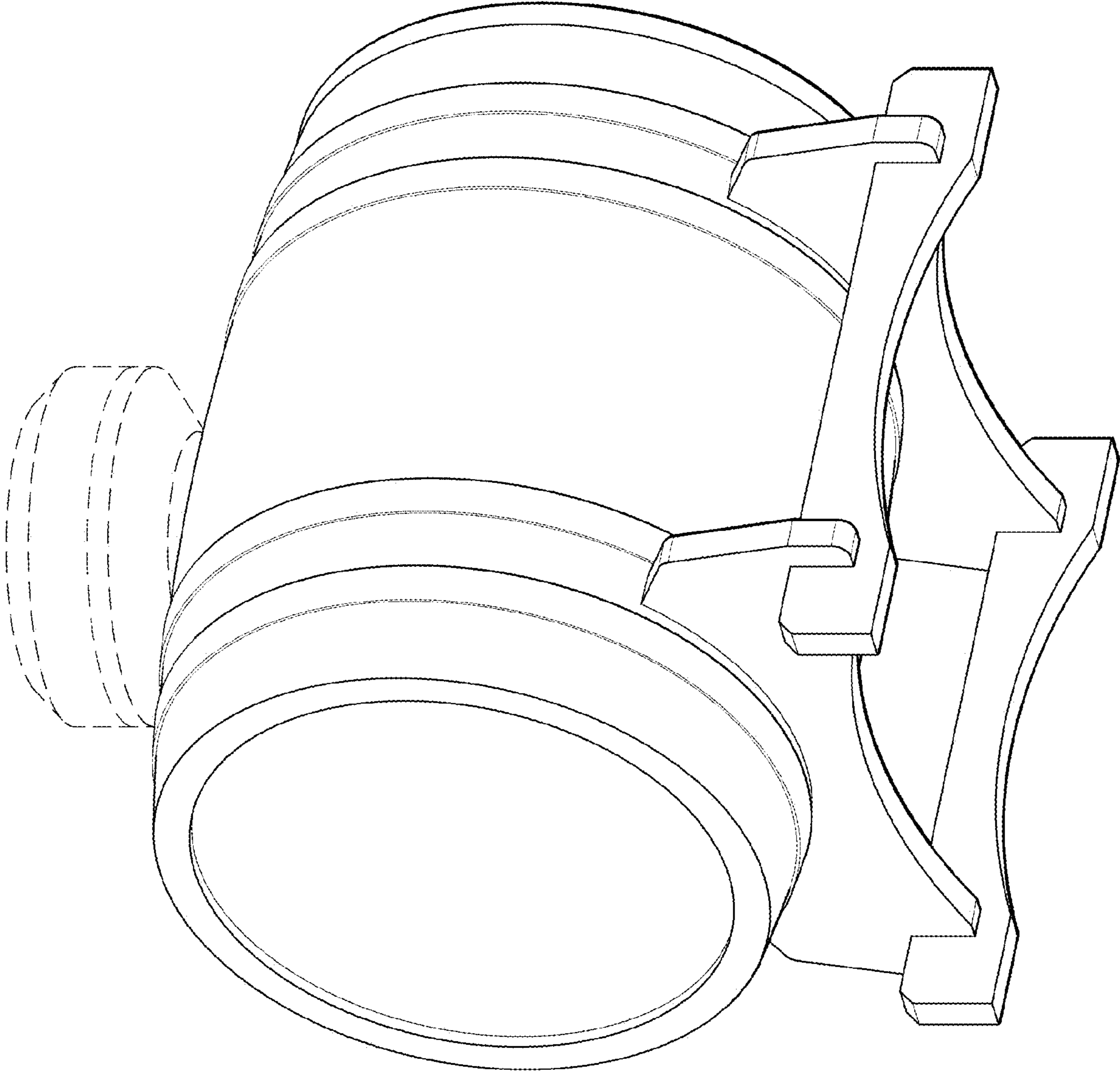


FIG. 3

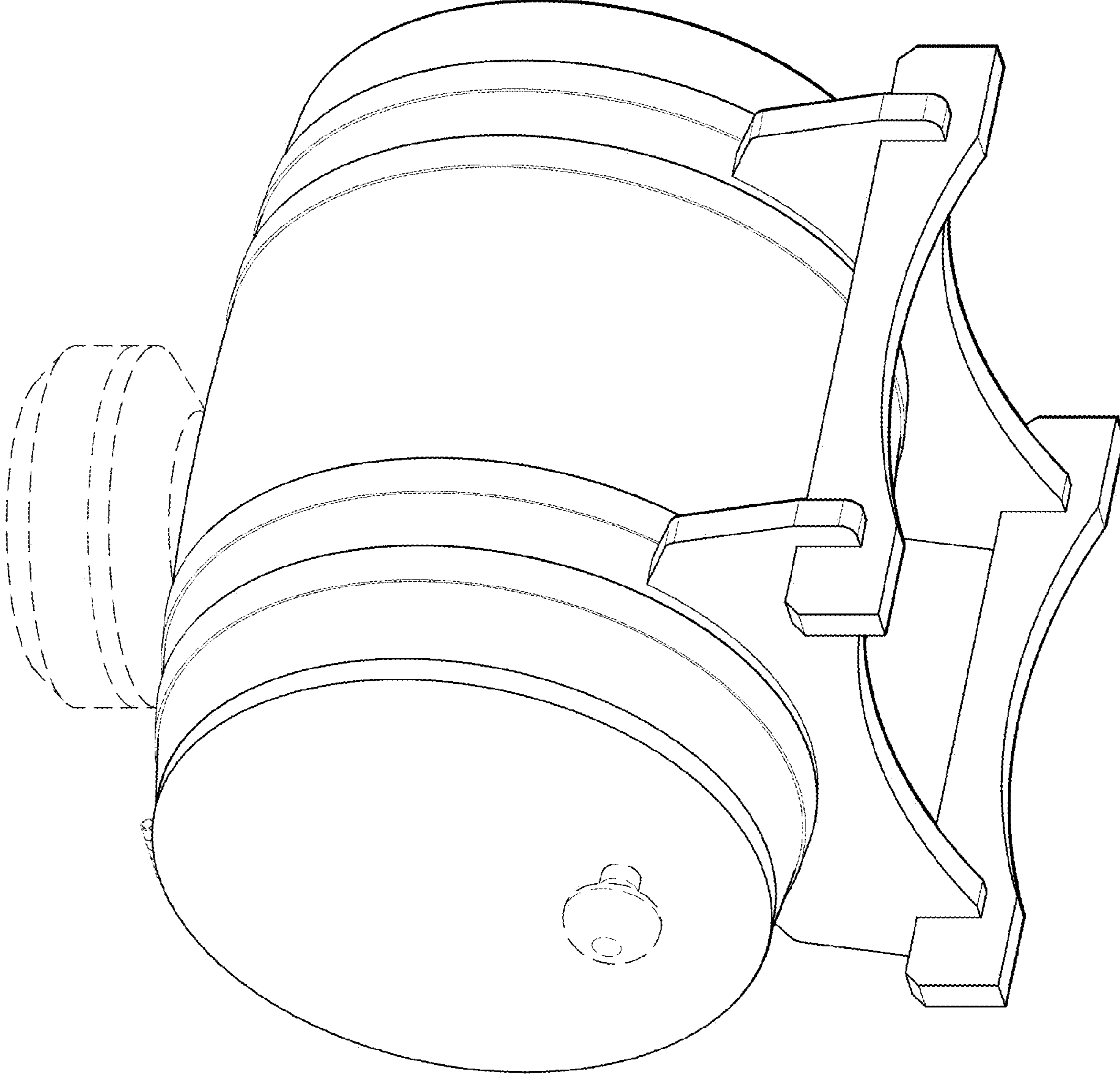


FIG. 4

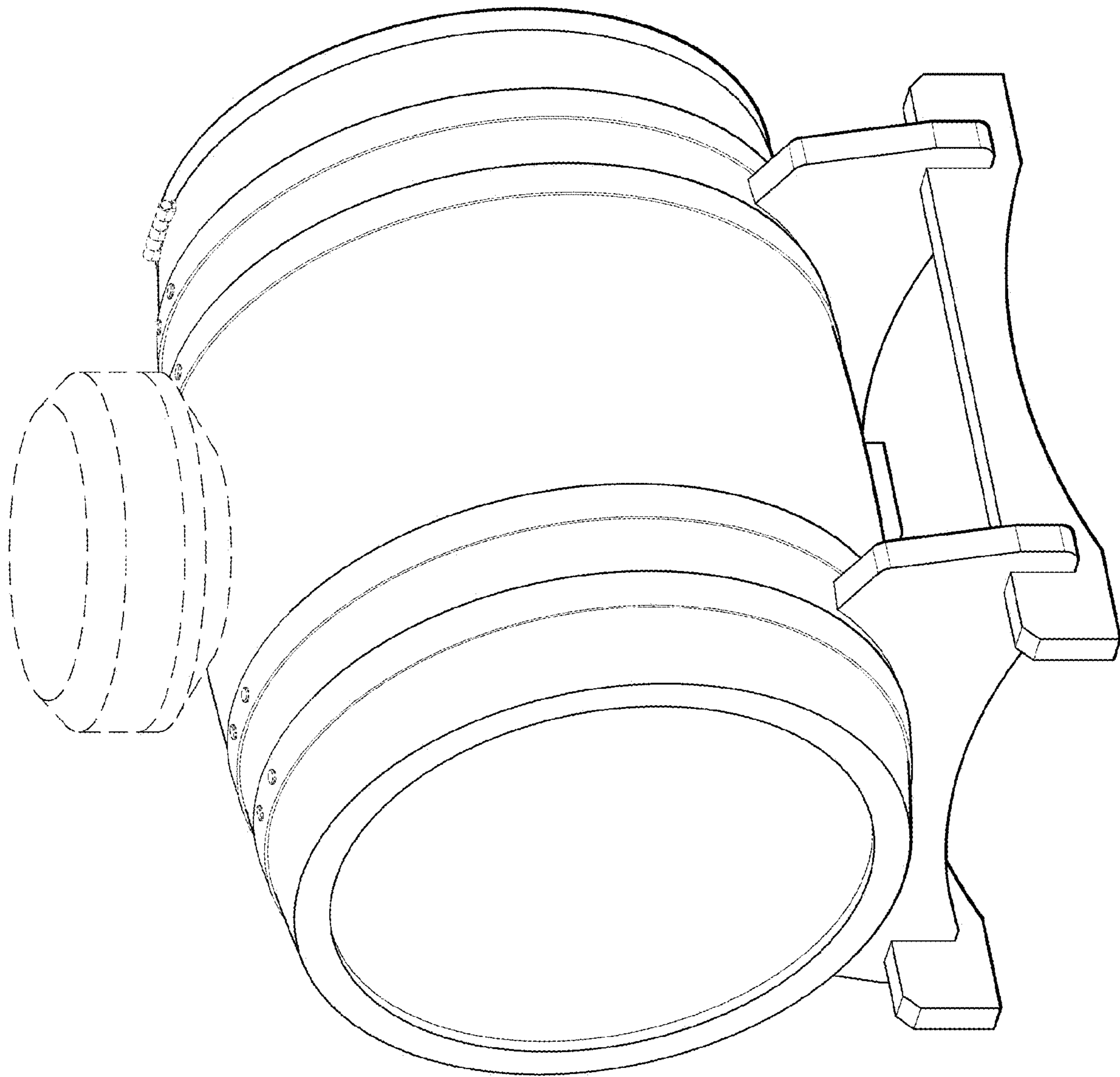


FIG. 5

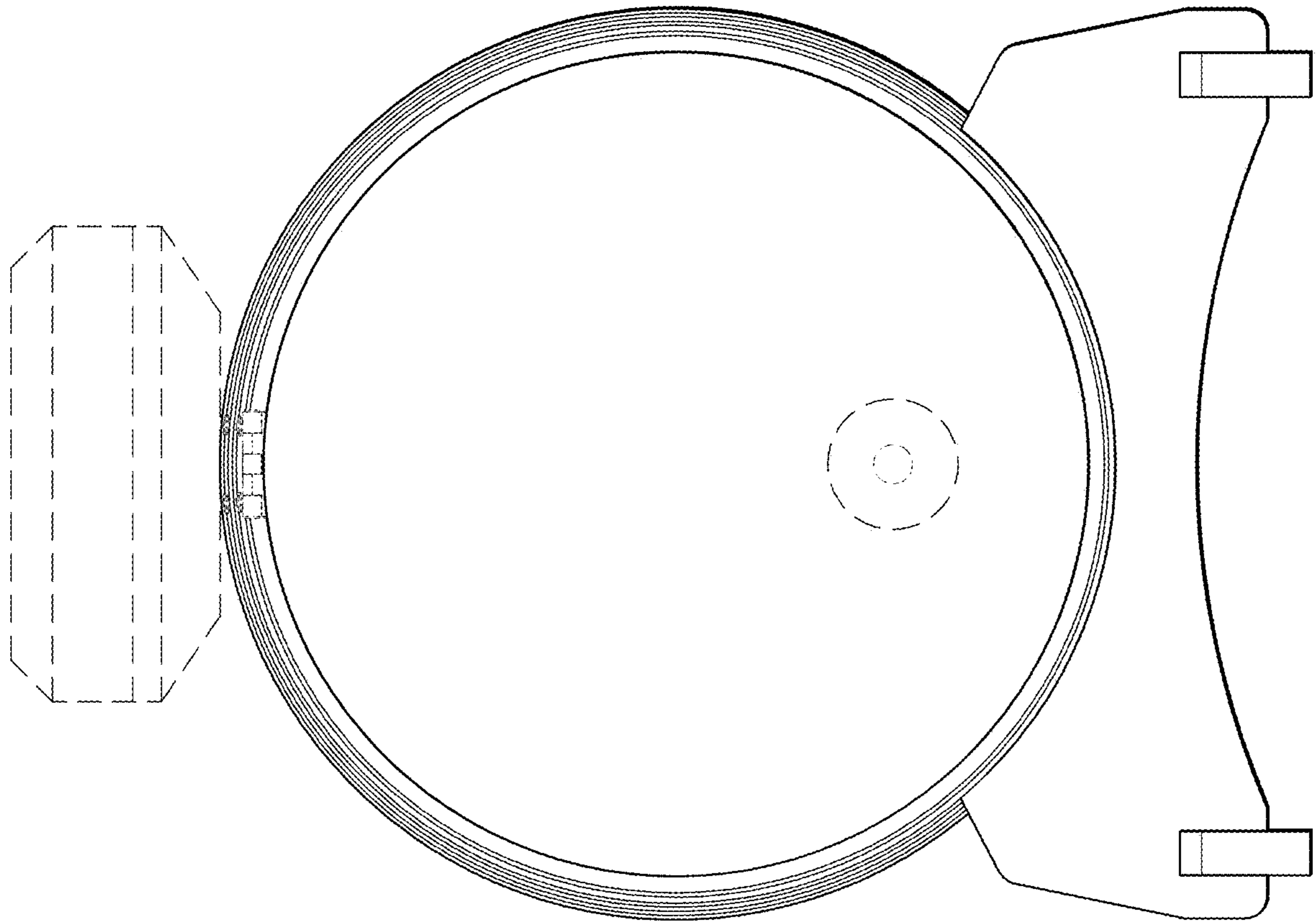


FIG. 6

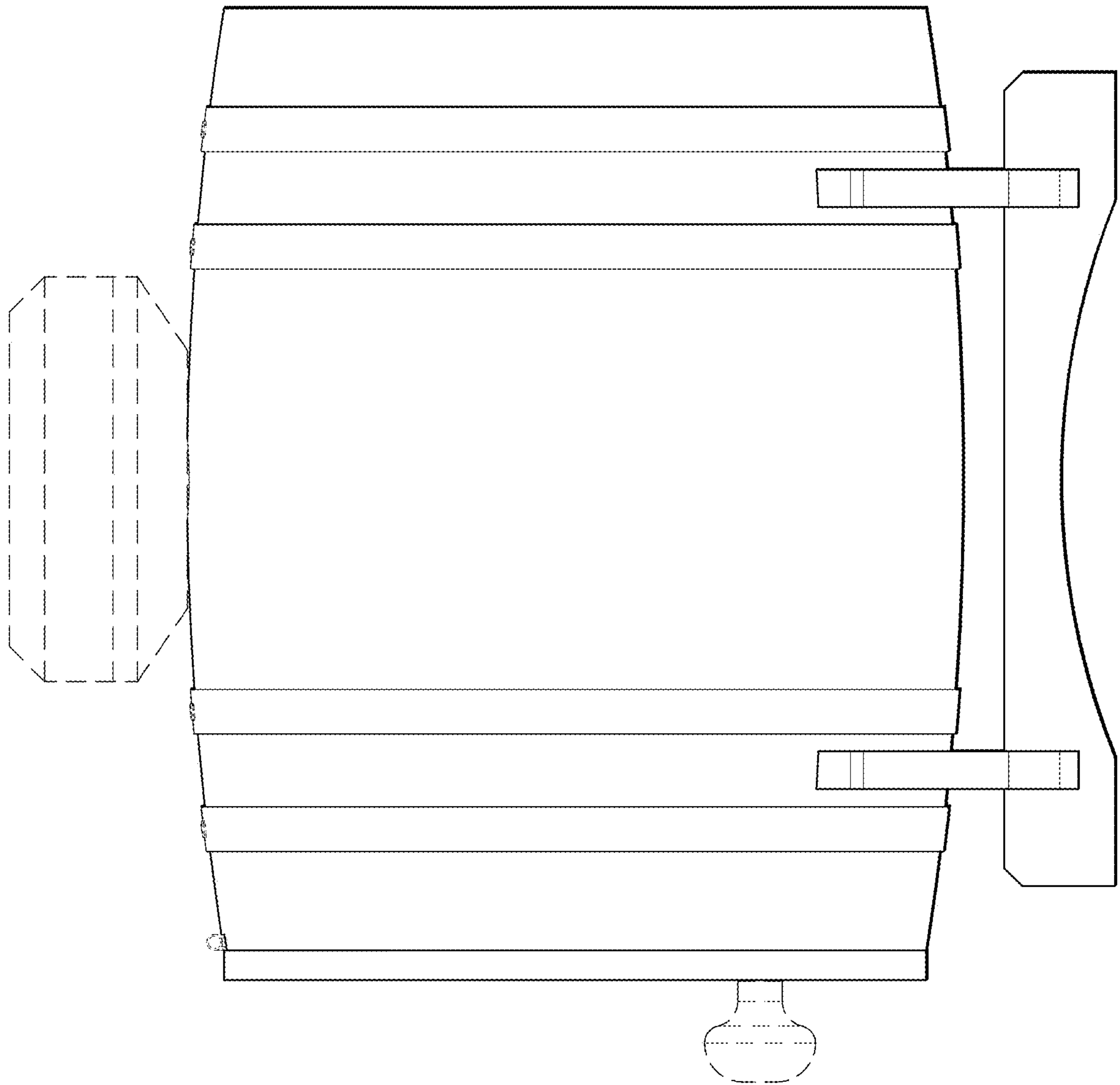


FIG. 7

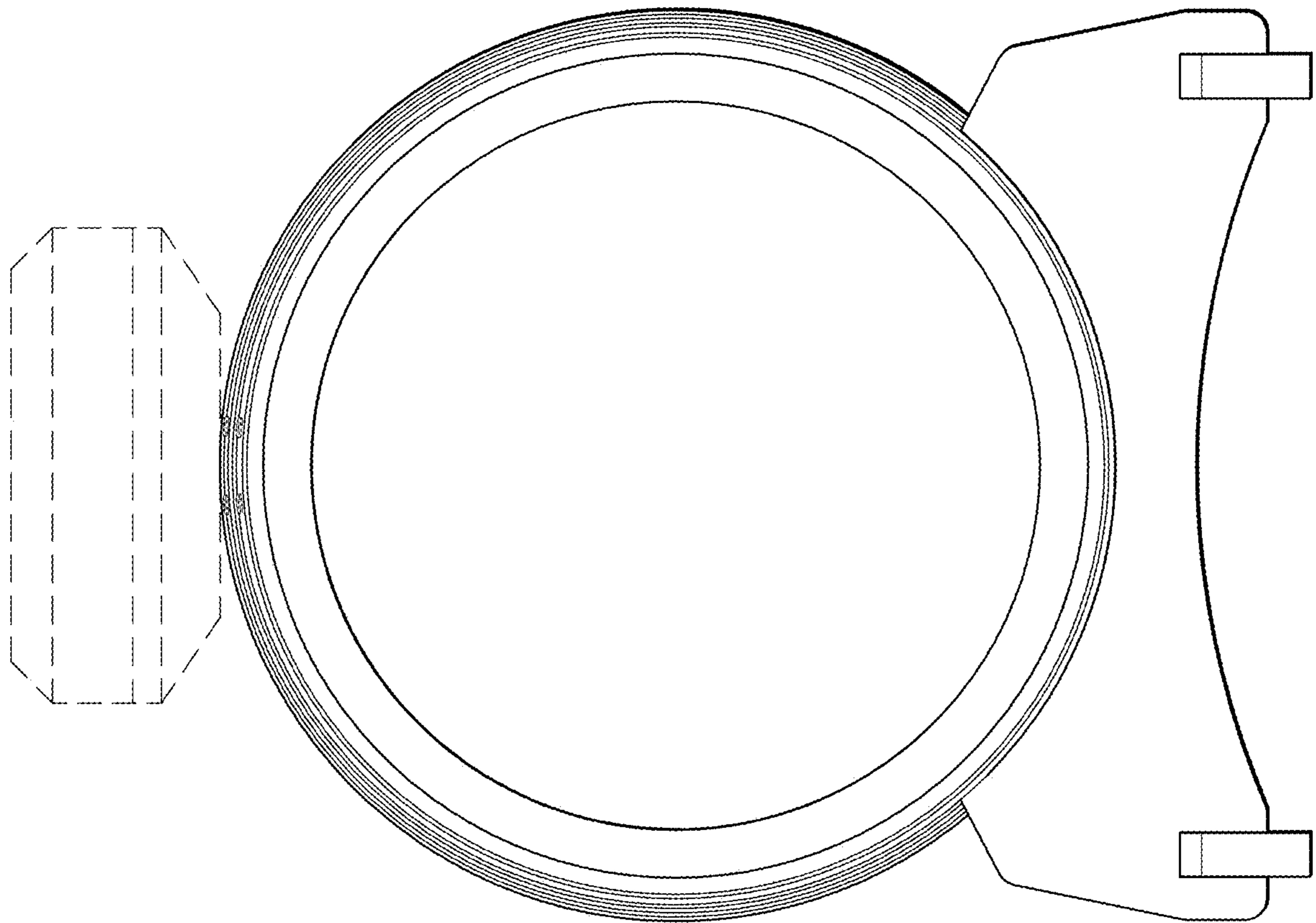


FIG. 8

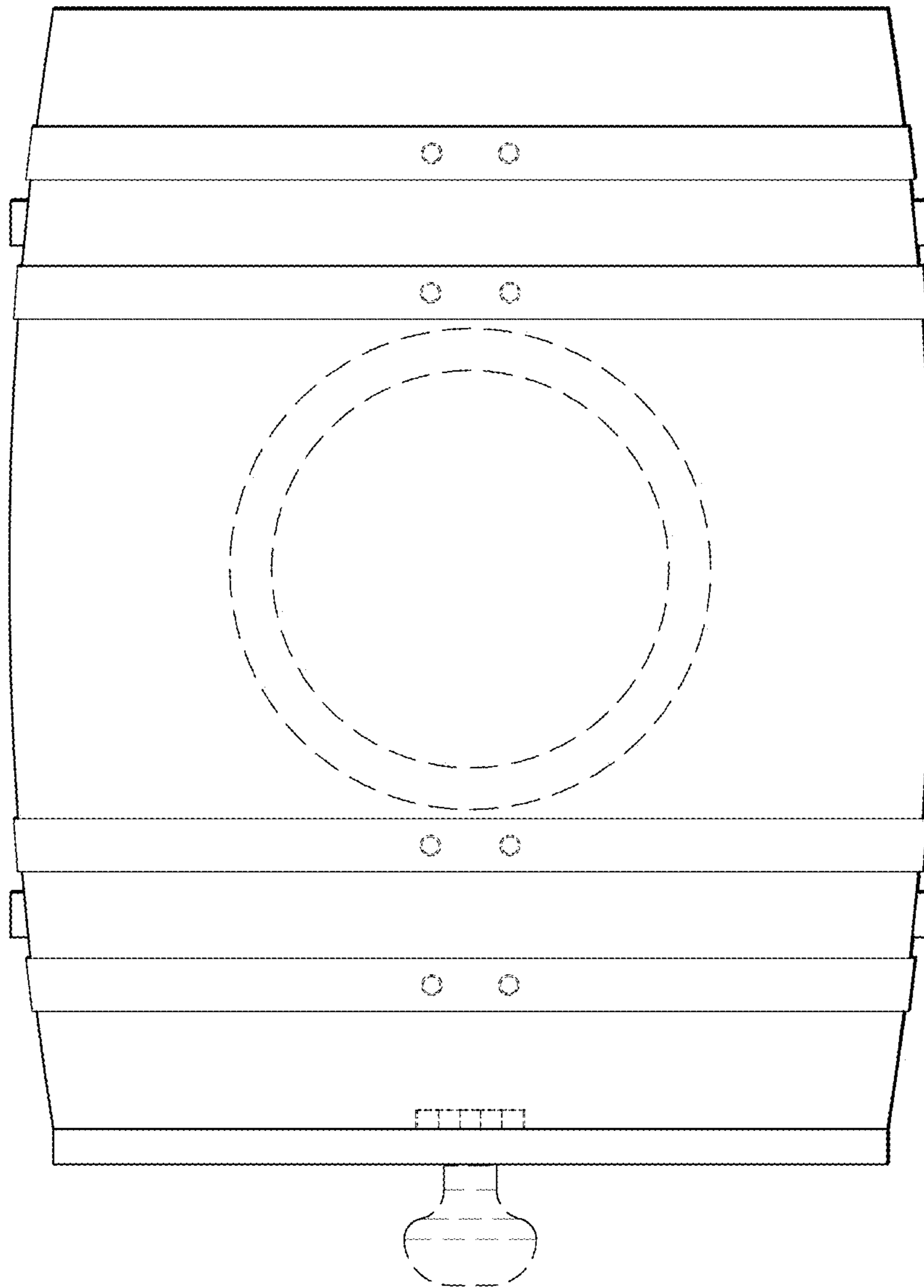


FIG. 9

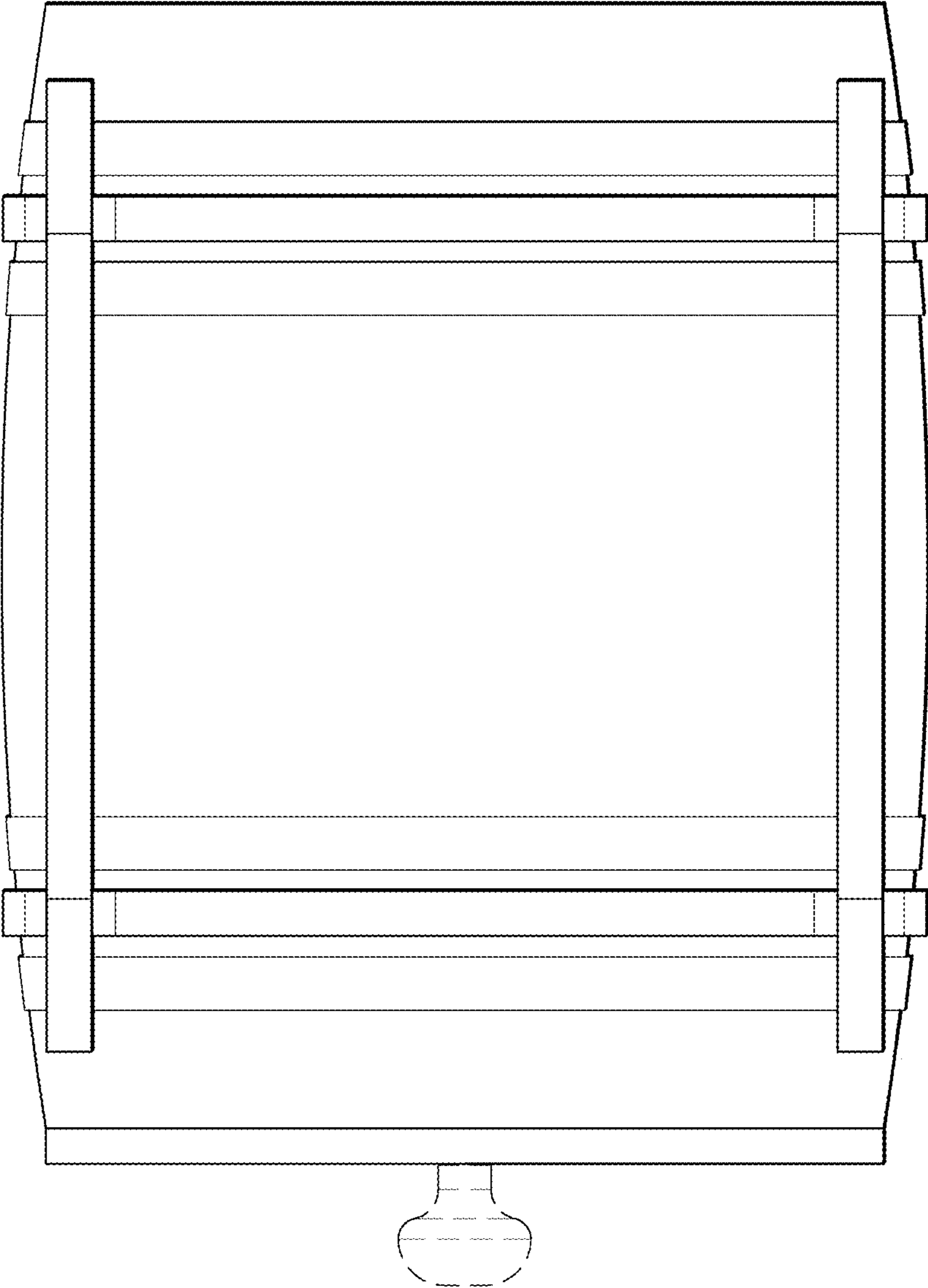


FIG. 10