



US00D982954S

(12) **United States Design Patent** (10) **Patent No.:** **US D982,954 S**  
**De Roma Leao** (45) **Date of Patent:** **\*\* Apr. 11, 2023**

(54) **MOKA POT**

(71) Applicant: **BRADSHAW HOME**, Rancho Cucamonga, CA (US)

(72) Inventor: **Flavio De Roma Leao**, Upland, CA (US)

(73) Assignee: **BRADSHAW HOME**, Rancho Cucamonga, CA (US)

(\*\*) Term: **15 Years**

(21) Appl. No.: **29/786,164**

(22) Filed: **May 28, 2021**

(51) **LOC (14) Cl.** ..... **07-01**

(52) **U.S. Cl.**  
USPC ..... **D7/318**

(58) **Field of Classification Search**  
USPC ..... D7/302, 309, 310, 312, 316, 317, 318, D7/319, 320, 321, 322, 334, 393, 397, D7/399  
CPC .. A47G 19/14; A47G 19/16; A47G 2019/122; A47G 19/12; A47J 27/21; A47J 31/20; A47J 31/02; A47J 31/18; A47J 27/21008; A47J 27/21166; A47J 31/14; A47J 27/2105; A47J 31/16; A47J 31/06; A47J 37/0786; A47J 27/21091; A47J 27/14; A47J 27/022; A47J 31/303; A47J 45/078; A47J 45/067; A47J 27/21083; A47J 27/21191; A47J 27/21175; A47J 27/212; A47J 31/053  
See application file for complete search history.

1,978,074 A \* 10/1934 Bogoslowsky ..... A47J 31/043 99/292

2,069,037 A 1/1937 Jedlicka

2,169,239 A 8/1939 Hacmac

2,807,944 A 10/1957 Glass

4,579,236 A \* 4/1986 Zimmermann ..... A47J 41/0083 215/390

D308,459 S \* 6/1990 Balzano ..... D7/322

D308,460 S \* 6/1990 Balzano ..... D7/321

D312,744 S \* 12/1990 Jorgensen ..... D7/317

D348,586 S \* 7/1994 Menegozzo ..... D7/316

5,761,987 A 6/1998 Leon

D399,384 S 10/1998 Ranzoni

5,823,385 A 10/1998 Cautereels

D403,200 S \* 12/1998 Joergensen ..... D7/322

5,894,785 A 4/1999 Molinari

D413,480 S 9/1999 Joergensen

6,220,477 B1 4/2001 Schneider

6,332,557 B1 12/2001 Moran

(Continued)

*Primary Examiner* — Joseph Kukella  
*Assistant Examiner* — Darryl J Dardenne  
 (74) *Attorney, Agent, or Firm* — Birch, Stewart, Kolasch & Birch, LLP

(57) **CLAIM**  
 The ornamental design for a moka pot, as shown and described.

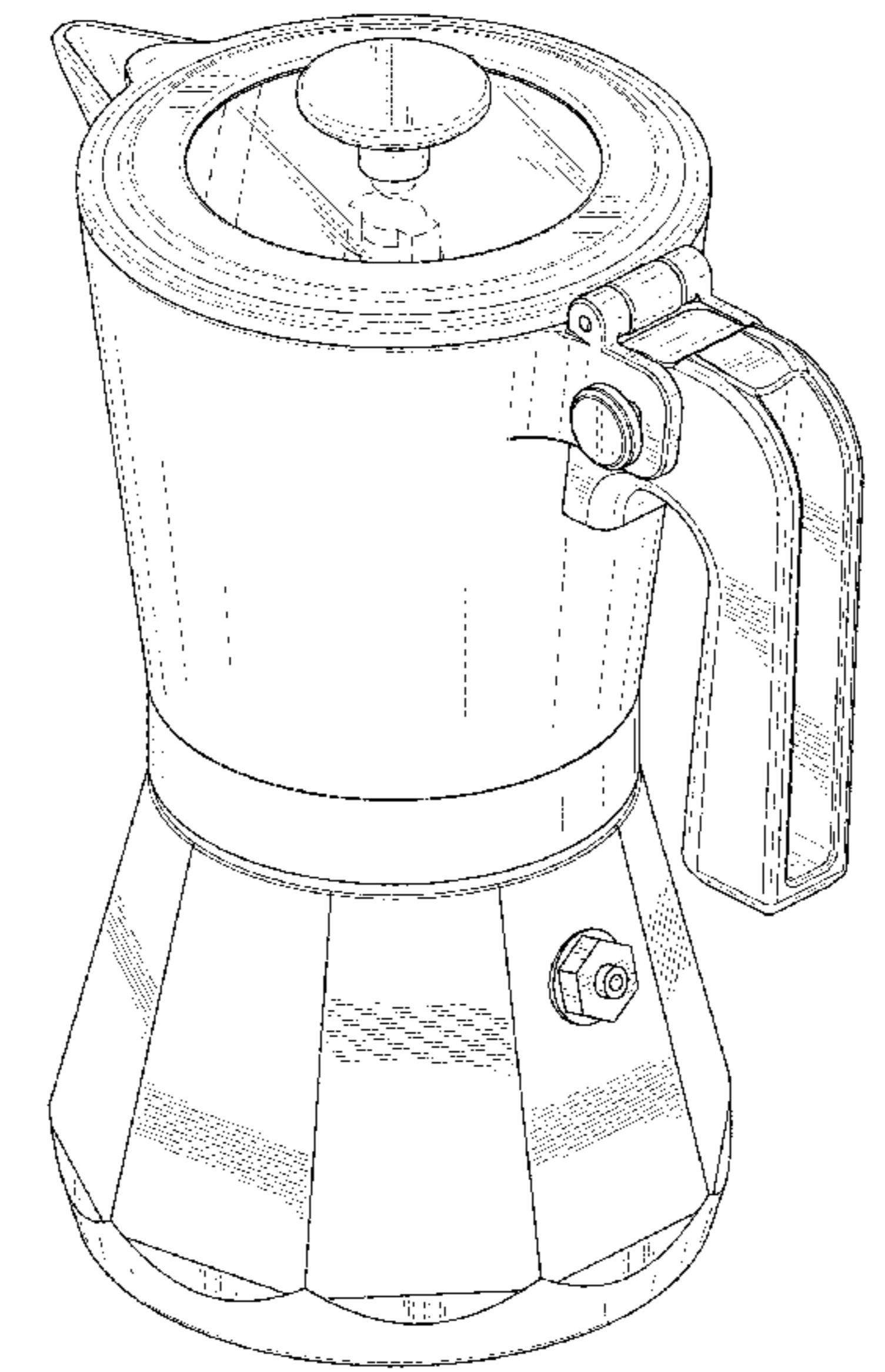
**DESCRIPTION**

FIG. 1 is a top, front, right perspective view of a moka pot showing my new design;  
 FIG. 2 is a front view thereof;  
 FIG. 3 is a rear view thereof;  
 FIG. 4 is a left side view thereof;  
 FIG. 5 is a right side view thereof;  
 FIG. 6 is a top plan view thereof; and,  
 FIG. 7 is a bottom plan view thereof.  
 The broken line showing in the figures is for the purpose of illustrating portions of the moka pot that form no part of the claimed design.

(56) **References Cited**  
 U.S. PATENT DOCUMENTS

1,480,356 A	1/1924	Wegener
1,546,131 A	7/1925	Hechler
1,579,489 A	4/1926	Rau

**1 Claim, 7 Drawing Sheets**



(56)

**References Cited**

U.S. PATENT DOCUMENTS

D484,356	S	*	12/2003	Bodum	.....	D7/317
D488,340	S	*	4/2004	Zimmermann	.....	D7/317
D532,244	S	*	11/2006	Ancona	.....	D7/317
D538,579	S	*	3/2007	Ranzoni	.....	D7/317
D539,070	S	*	3/2007	Giannone	.....	D7/317
D539,589	S	*	4/2007	Giannone	.....	D7/317
D540,609	S	*	4/2007	Ranzoni	.....	D7/317
D548,509	S	*	8/2007	Ancona	.....	D7/317
D552,418	S	*	10/2007	Ranzoni	.....	D7/398
D587,059	S	*	2/2009	Bodum	.....	D7/319
D591,549	S	*	5/2009	Ranzoni	.....	D7/317
D603,647	S	*	11/2009	Bodum	.....	D7/317
D638,652	S	*	5/2011	Arch	.....	D7/317
D640,085	S		6/2011	Appleton		
D644,866	S		9/2011	Munro		
D688,506	S	*	8/2013	Steiner	.....	D7/317
8,950,621	B2		2/2015	Hinzman		
D878,135	S		3/2020	Bodum		
D960,626	S	*	8/2022	Tonge	.....	D7/321
2007/0272086	A1	*	11/2007	Ancona	.....	A47J 31/303 99/287
2008/0141866	A1	*	6/2008	Baldacci	.....	A47J 31/34 99/300
2012/0141639	A1	*	6/2012	Crescenzi	.....	A47J 31/303 426/112

\* cited by examiner

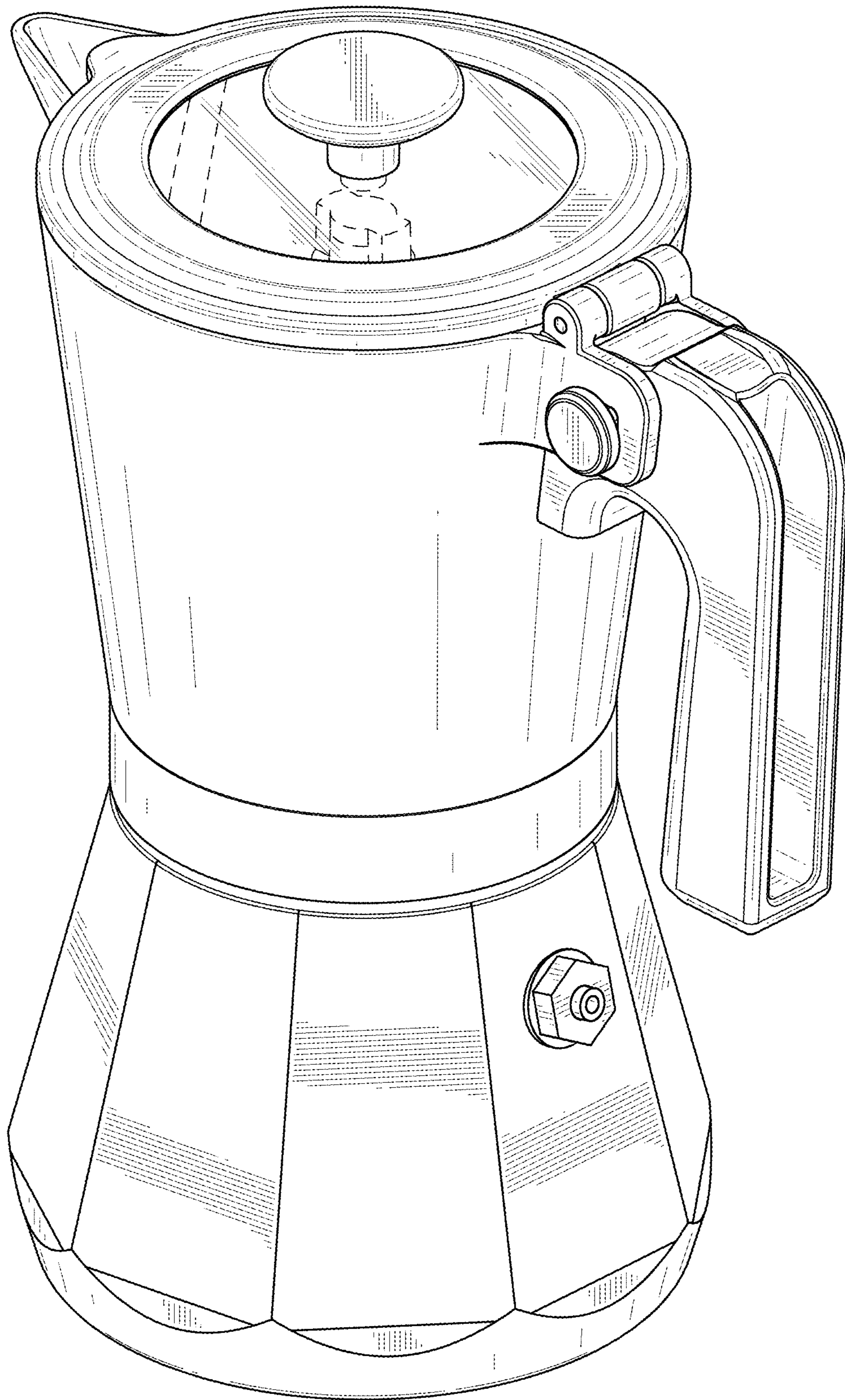


FIG. 1

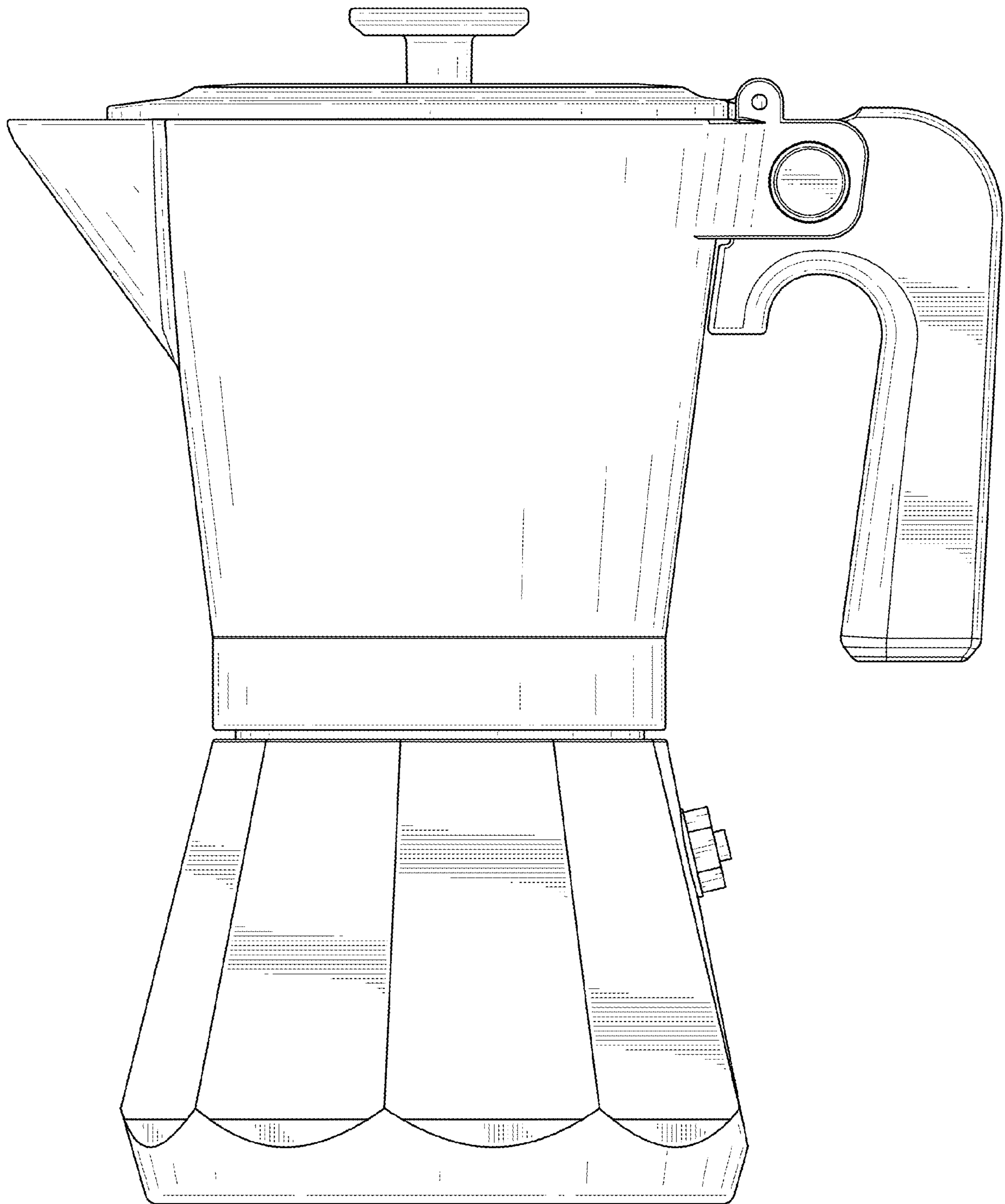


FIG. 2

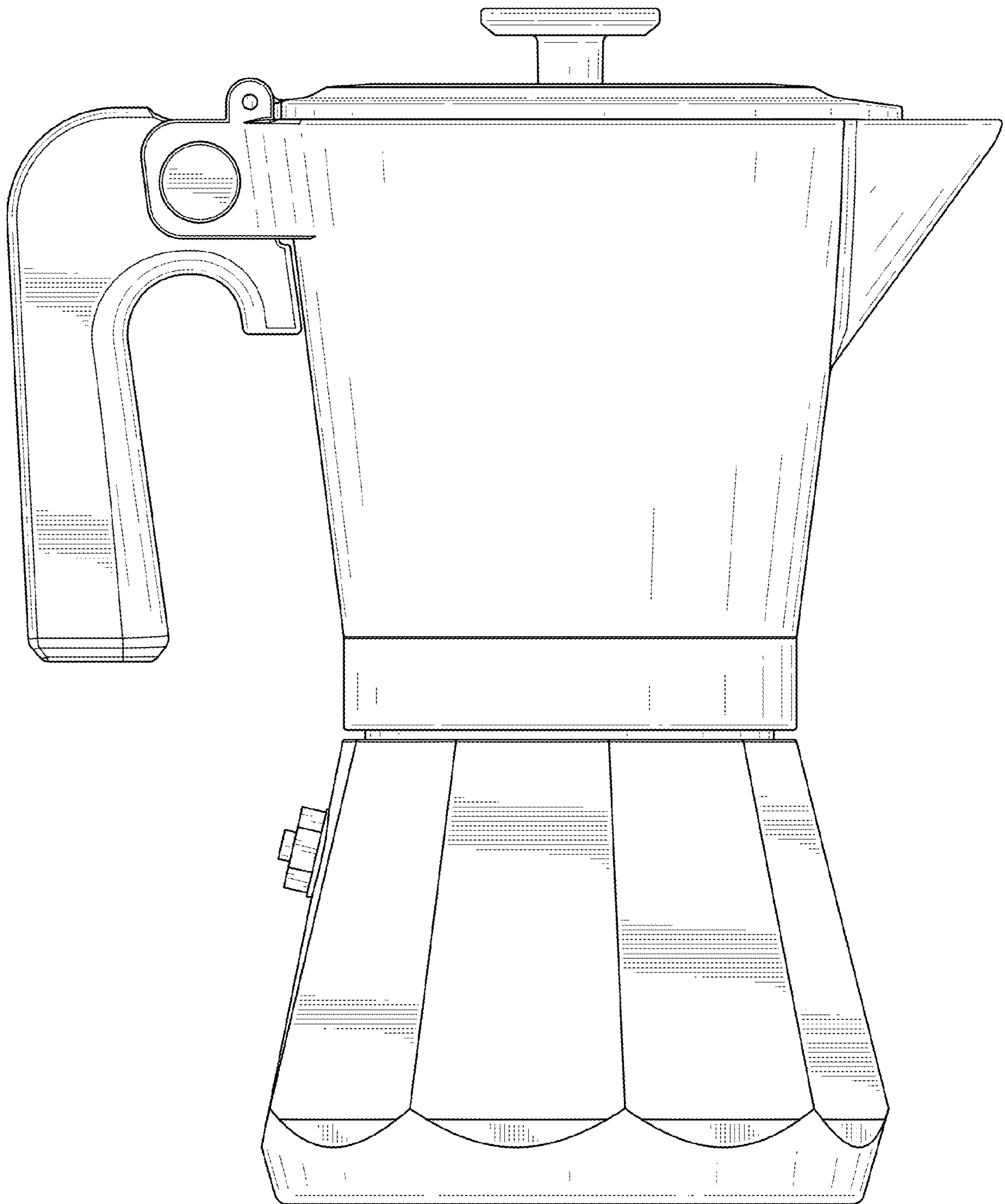


FIG.3

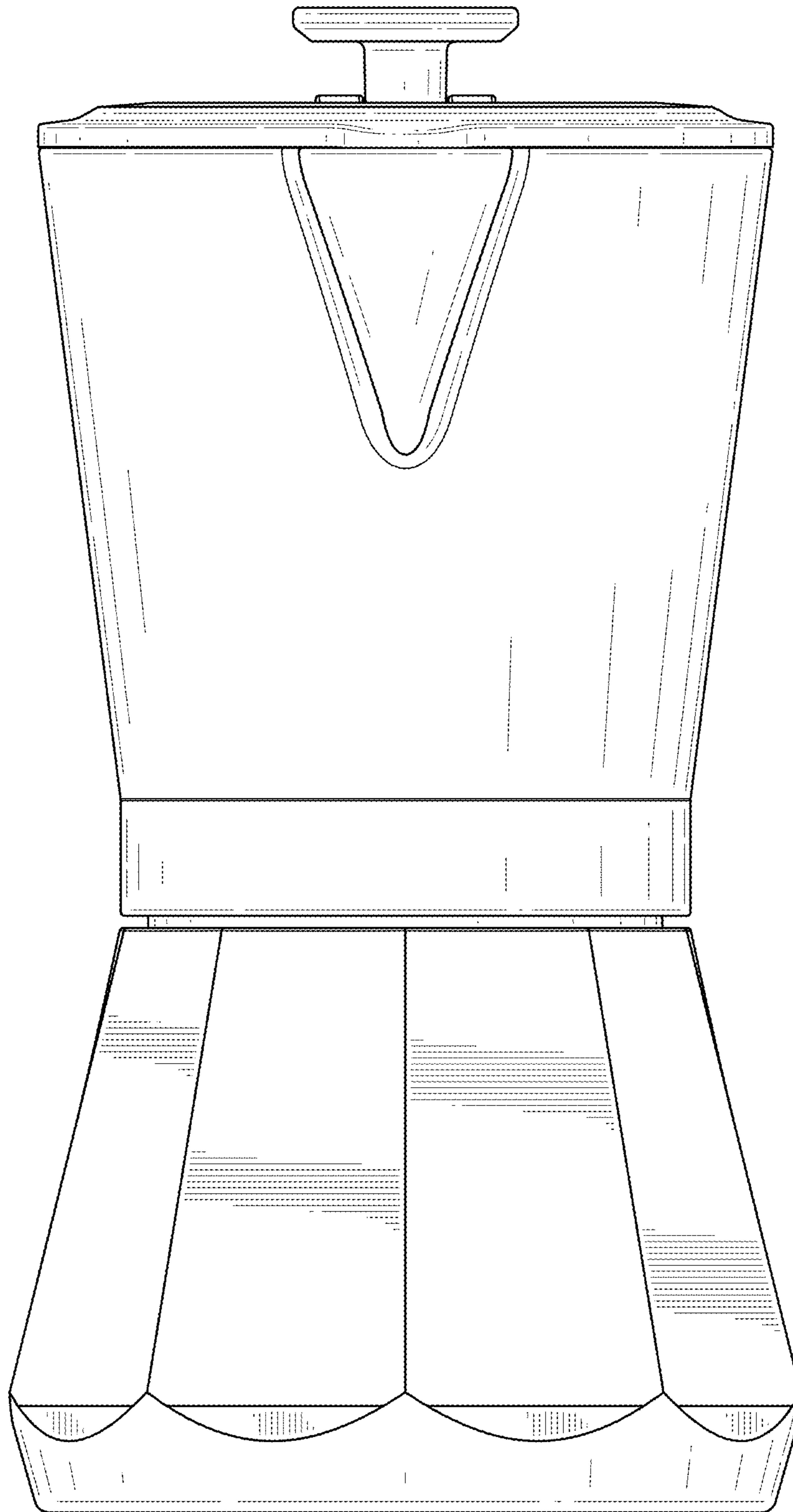


FIG. 4

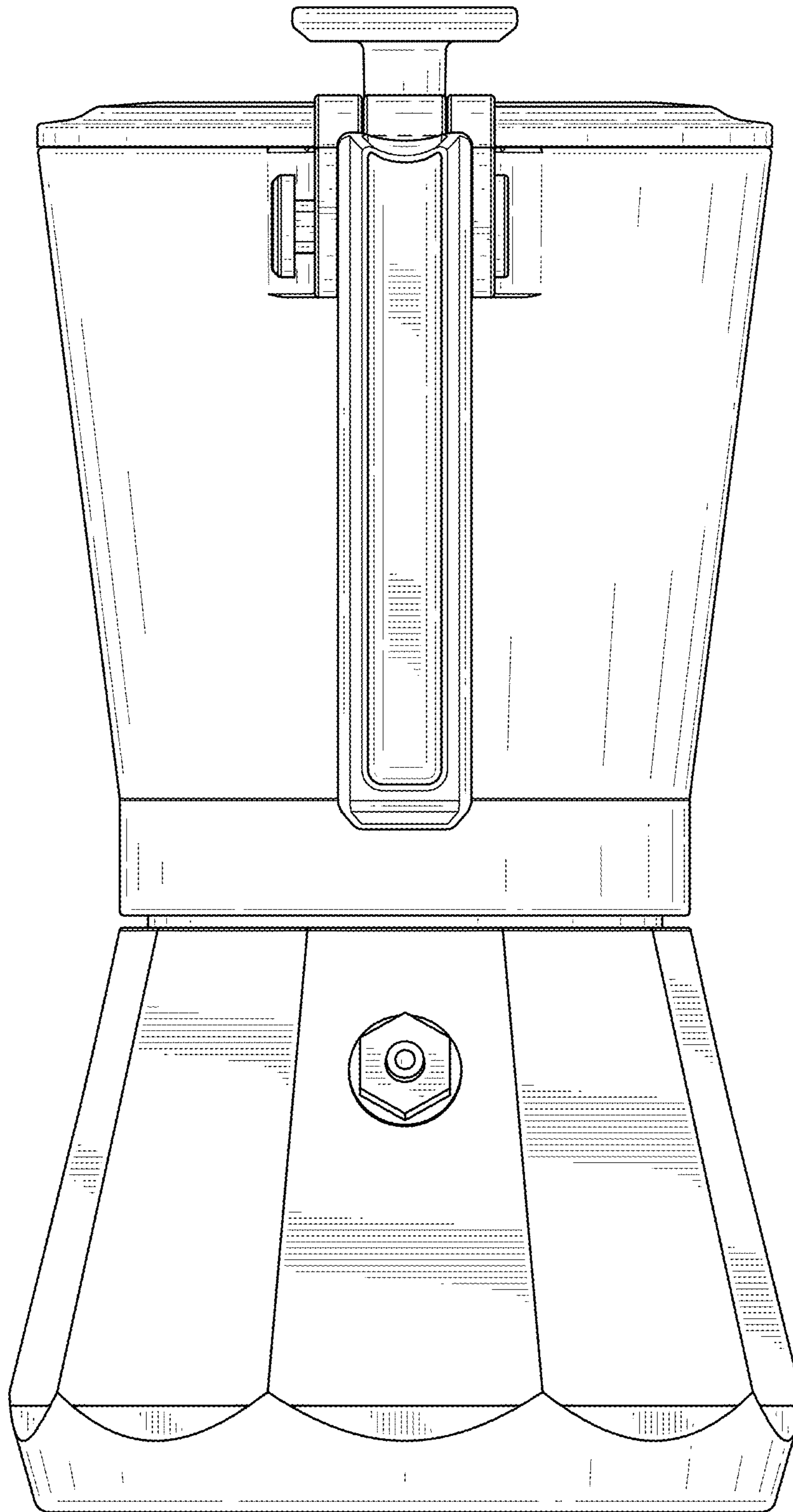


FIG.5

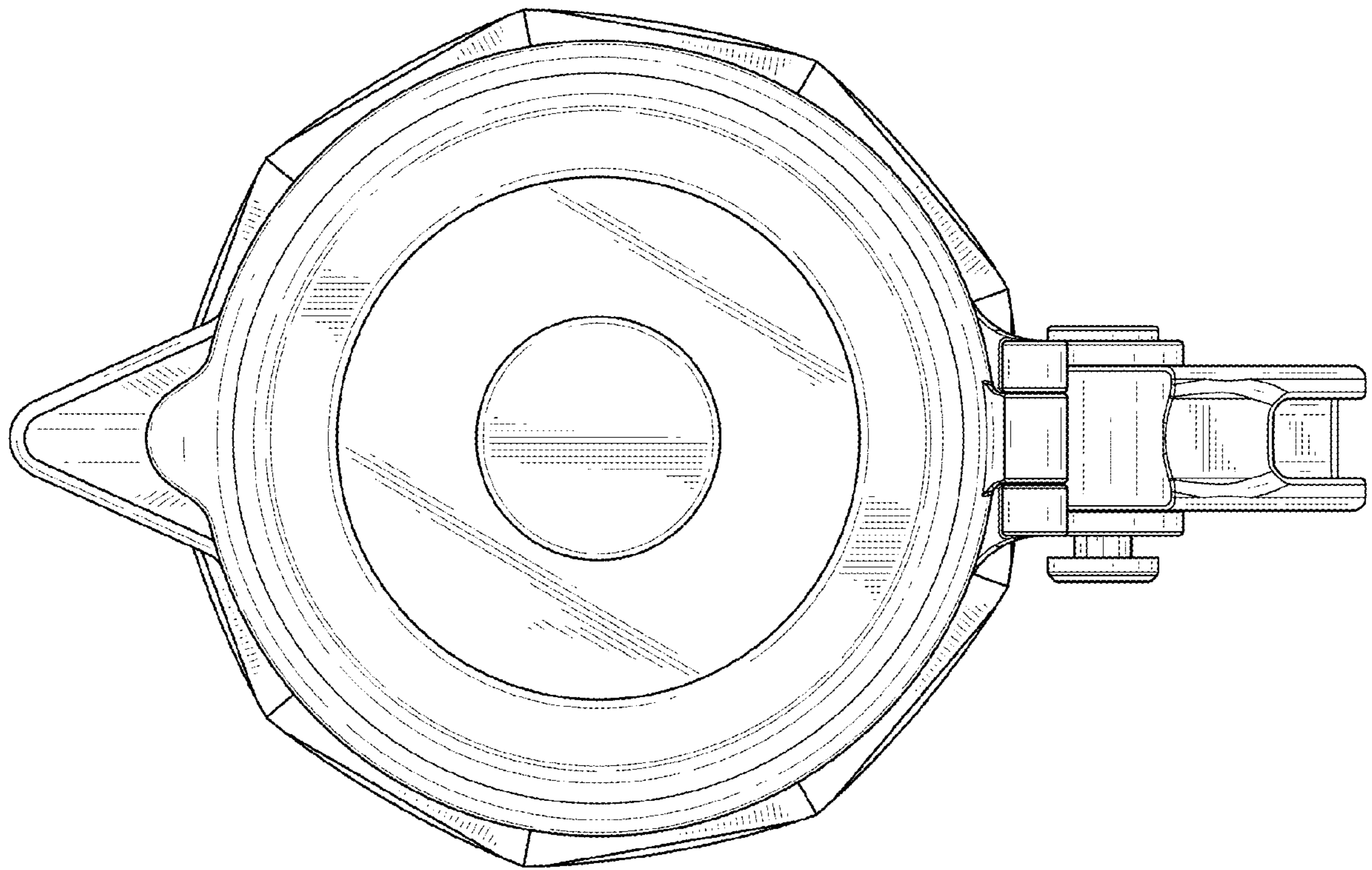


FIG.6



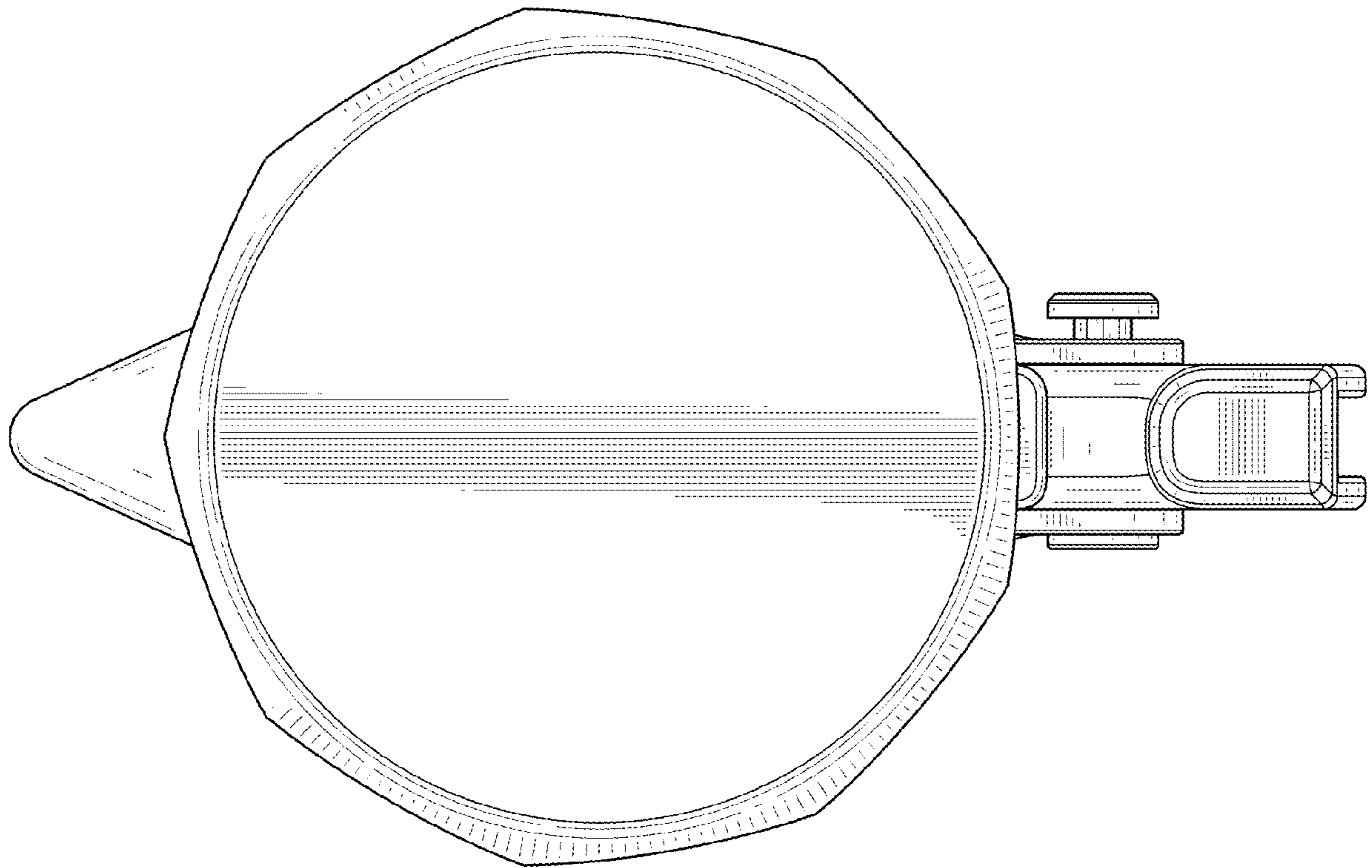


FIG. 7