



US00D982950S

(12) **United States Design Patent**
Amiran

(10) **Patent No.:** **US D982,950 S**

(45) **Date of Patent:** **** Apr. 11, 2023**

(54) **COMBINED COOLER AND TABLE**

(71) Applicant: **KETER PLASTIC LTD.**, Herzliya (IL)

(72) Inventor: **Hadar Amiran**, Kibbutz Messilot (IL)

(73) Assignee: **KETER PLASTIC LTD.**, Herzliya (IL)

(**) Term: **15 Years**

(21) Appl. No.: **35/513,173**

(22) Filed: **Nov. 11, 2021**

(80) **Hague Agreement Data**

Int. Filing Date: **Nov. 11, 2021**

Int. Reg. No.: **DM/217709**

Int. Reg. Date: **Nov. 11, 2021**

Int. Reg. Pub. Date: **Dec. 17, 2021**

(51) **LOC (14) Cl.** **06-03**

(52) **U.S. Cl.**
USPC **D6/686; D7/605**

(58) **Field of Classification Search**
USPC D6/336, 337, 338, 349, 667, 668, 685,
D6/686, 687, 689, 691, 691.1, 691.2,
D6/691.3, 691.4, 691.5, 691.6, 695.2;
D7/388, 602, 603, 605
CPC A47B 37/00; A47B 97/00; A47B 69/00;
A47B 2220/0013; A47B 85/06; A47B
9/00; A47B 83/045; A47B 73/00; A47B
85/00; F25D 2400/08
See application file for complete search history.

(56) **References Cited**

U.S. PATENT DOCUMENTS

2,079,225 A * 5/1937 Sabaneeff A47B 69/00
312/271
4,794,868 A * 1/1989 Adler A47B 69/00
108/146
D316,639 S * 5/1991 Adler D6/686

D532,220 S * 11/2006 Domack D6/687
D590,632 S * 4/2009 Zak D6/668
D677,073 S * 3/2013 Zak D6/686
D772,588 S * 11/2016 Kim D6/337
D899,829 S * 10/2020 Liang D6/692
D912,448 S * 3/2021 Xiao D6/689
D917,939 S * 5/2021 Xiao D6/688
D920,021 S * 5/2021 Ben-Avi D6/686
D947,621 S * 4/2022 Xiao D7/605
D948,254 S * 4/2022 Ben-Avi D6/686
D948,257 S * 4/2022 Velez D6/689

(Continued)

OTHER PUBLICATIONS

“Keter Bevy Bar Cooler.” Found online Nov. 4, 2022 at www.cochaser.com. Page dated May 2, 2022. Retrieved from URL: <https://www.cochaser.com/blog/keter-bevy-bar-cooler/> (Year: 2022).*

(Continued)

Primary Examiner — Mary Ann Calabrese

Assistant Examiner — Katelin G Kloberg

(74) *Attorney, Agent, or Firm* — Cantor Colburn LLP

(57) **CLAIM**

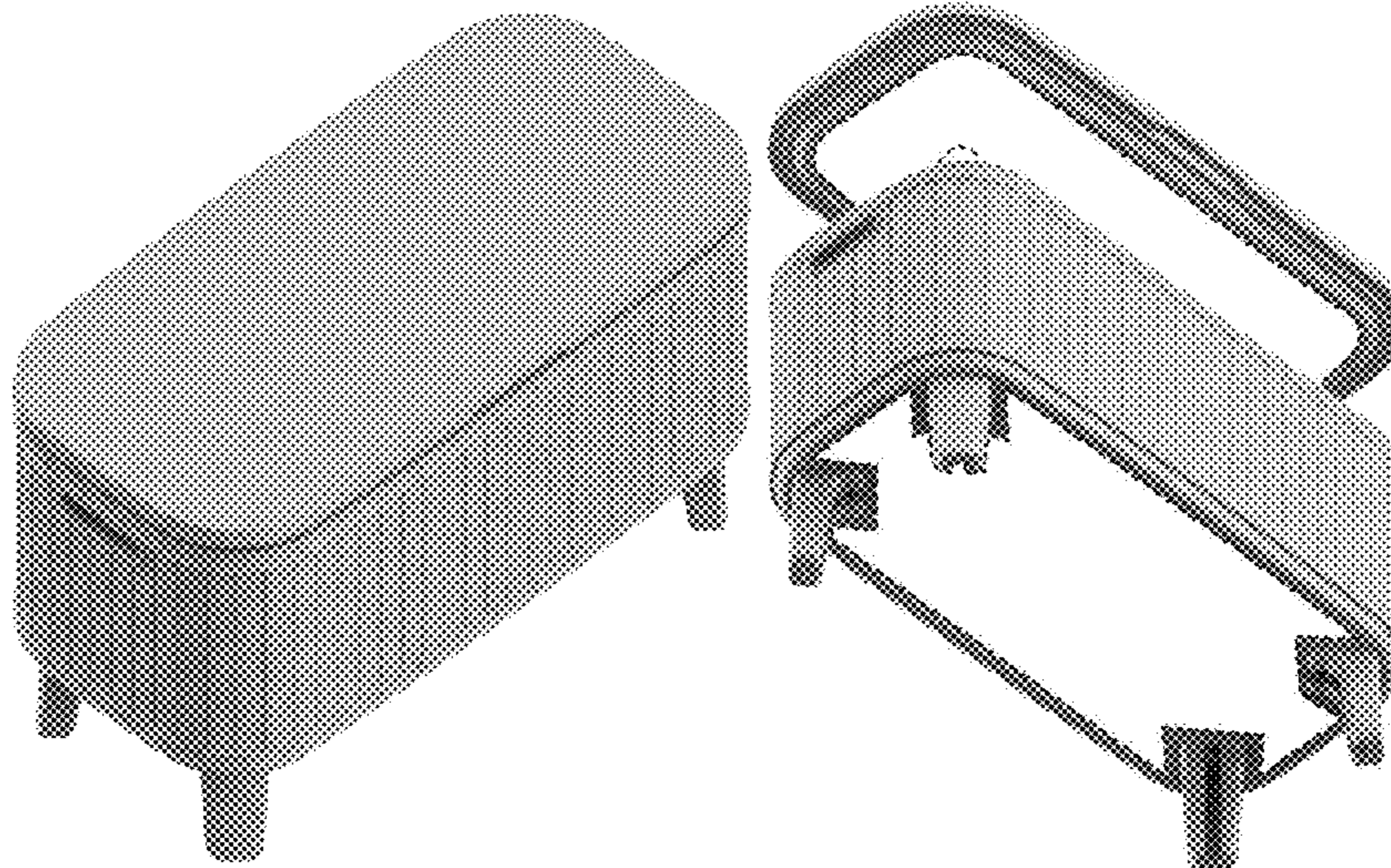
The ornamental design for combined cooler and table, as shown and described.

DESCRIPTION

- 1. Combined cooler and table
- 1.1 : Isometric (top, front, left)
- 1.2 : Isometric (top, front, left, open position)
- 1.3 : Isometric (bottom, back, right, open position)
- 1.4 : Front
- 1.5 : Left
- 1.6 : Top
- 1.7 : Bottom

The back side view is omitted because it is a mirror view of the front view; right side view is omitted because it is a mirror view of the left side view; the parts shown in white color and delineated with dashed lines form no part of the claimed design.

1 Claim, 7 Drawing Sheets



(56)

References Cited

U.S. PATENT DOCUMENTS

D958,573 S * 7/2022 Amiran D6/689
D965,646 S * 10/2022 Bouroullec D6/686
D968,133 S * 11/2022 Sun D6/667
2009/0101046 A1 * 4/2009 Zak A47B 31/02
108/14

OTHER PUBLICATIONS

“Keter Bevy Bar Fridge and End Table.” Found online Nov. 4, 2022 at www.amazon.de. Product first available Dec. 26, 2019. Retrieved from URL: <https://www.amazon.de/-/en/Keter-Bevy-Fridge-Table-Brown/dp/B08336P8PN> (Year: 2019).*

“Patio Rattan Coffee Table Lift Top Hidden Storage Table.” Found online Nov. 4, 2022 at www.amazon.com. Product first available May 14, 2021. Retrieved from URL: <https://www.amazon.com/dp/B094Y2CGJK> (Year: 2021).*

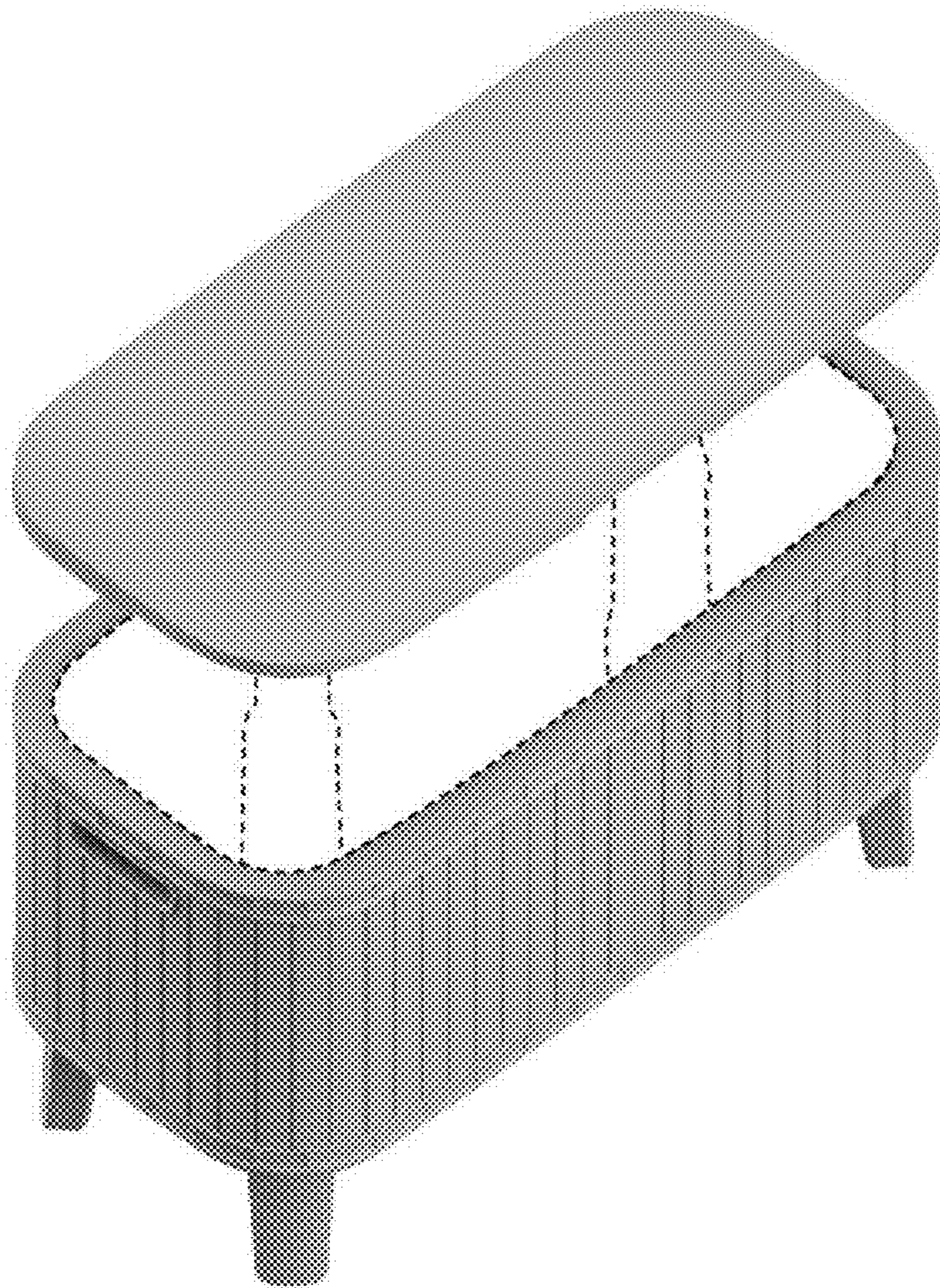
“Edostory 85 Quart Patio Rolling Ice Chest.” Found online Nov. 4, 2022 at www.amazon.com. Product first available Aug. 15, 2022. Retrieved from URL: <https://www.amazon.com/dp/B0B9MJKXXV> (Year: 2022).*

* cited by examiner

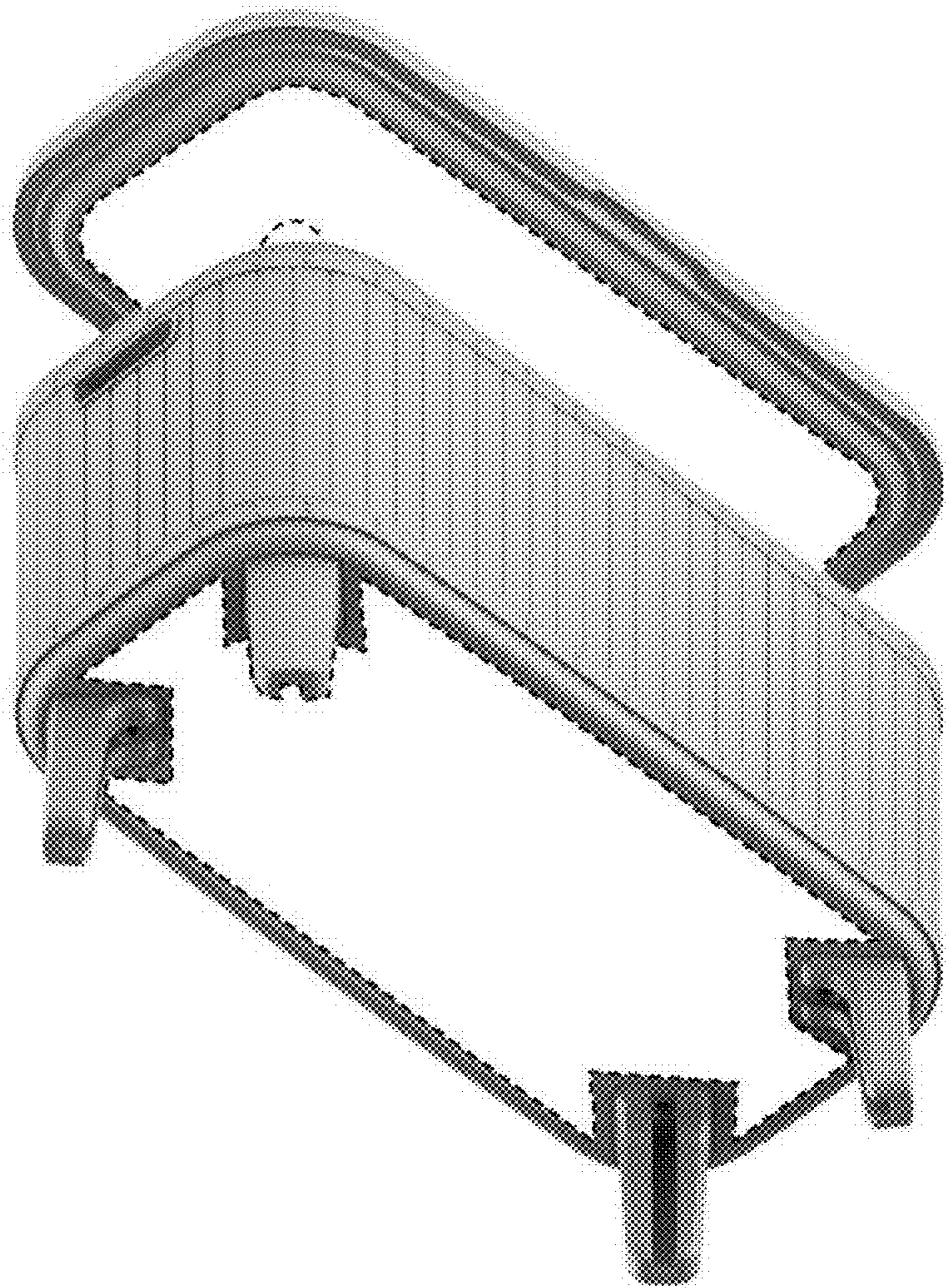
1.1



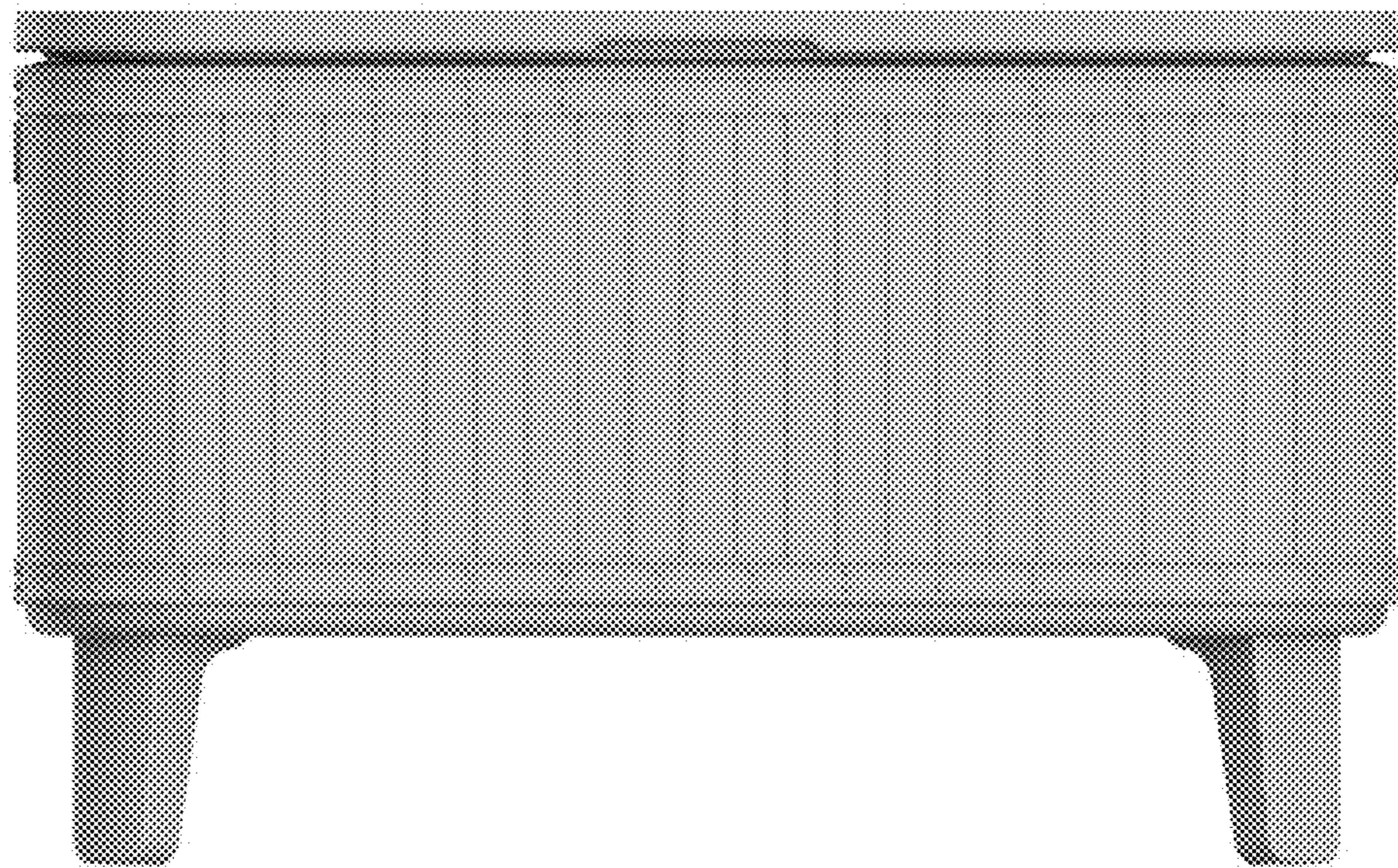
1.2



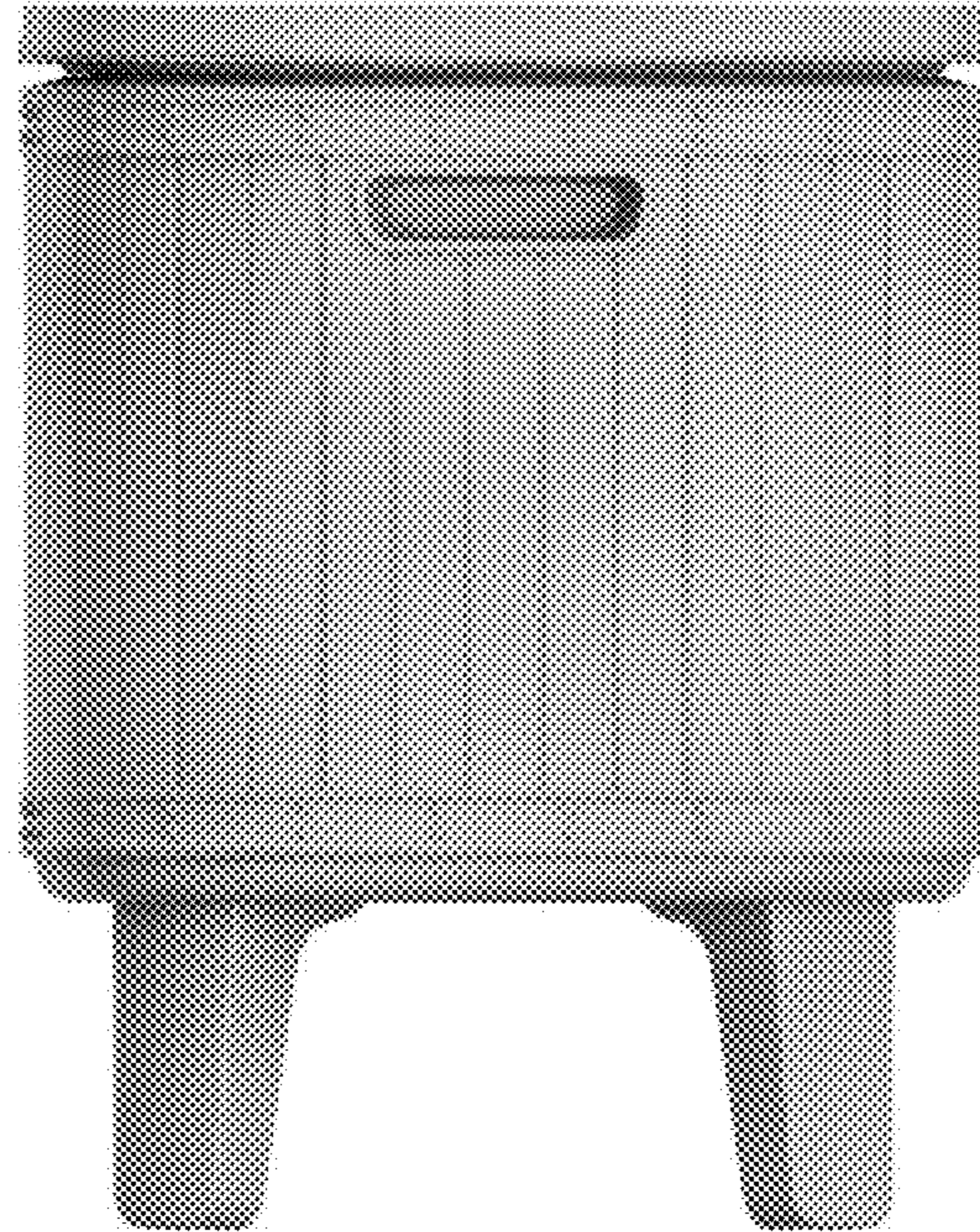
1.3



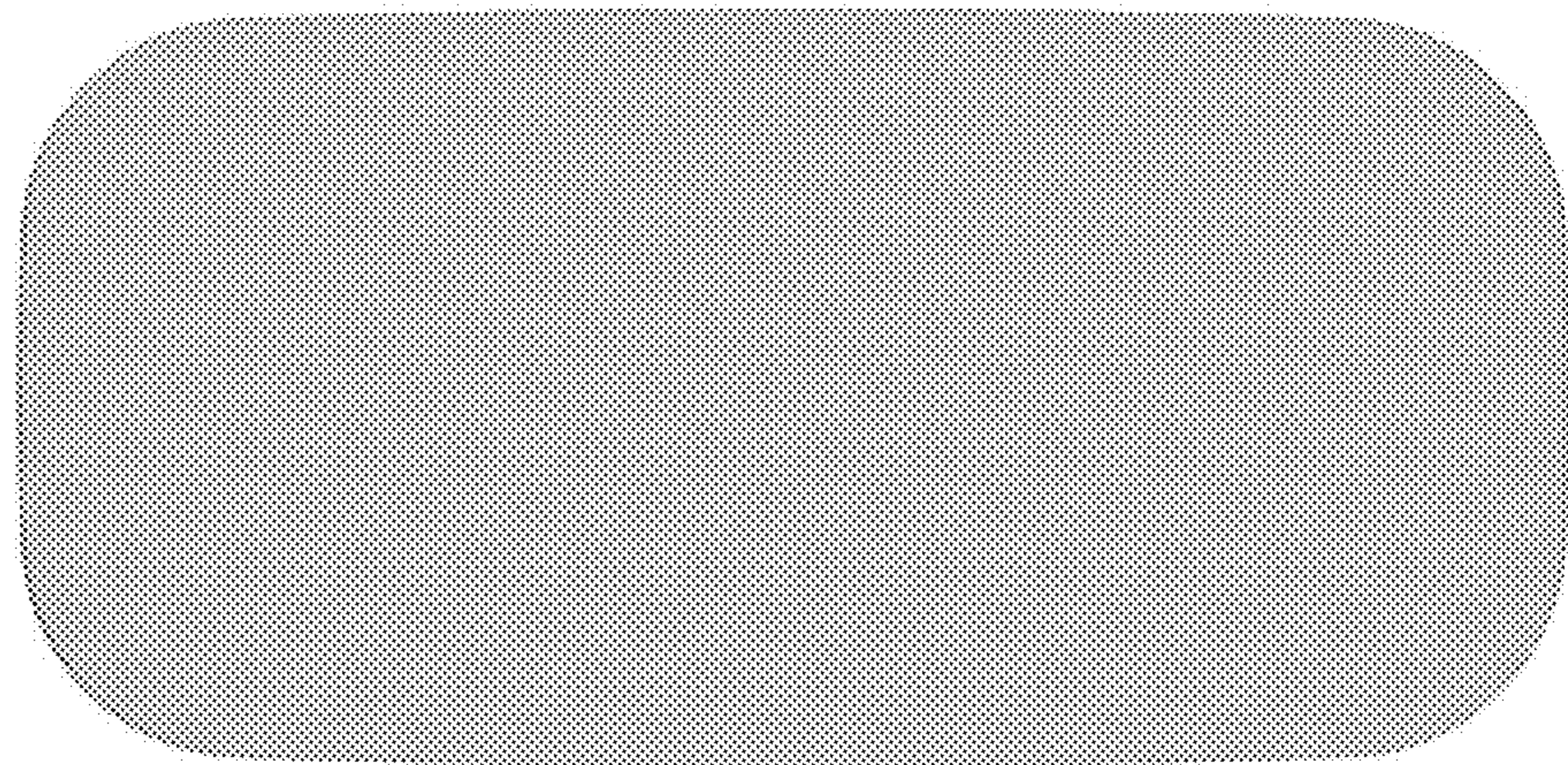
1.4



1.5



1.6



1.7

