



US00D982949S

(12) **United States Design Patent** (10) **Patent No.:** **US D982,949 S**
Williams et al. (45) **Date of Patent:** **** Apr. 11, 2023**

(54) **TALL POST**

(71) Applicant: **FiGPiN Collect Awesome, Inc.**, Irvine, CA (US)

(72) Inventors: **Daniel Williams**, Bothell, WA (US);
Amado Batour, La Jolla, CA (US);
Erik Haldi, Bothell, WA (US)

(73) Assignee: **FiGPiN Collect Awesome, Inc.**, Irvine, CA (US)

(**) Term: **15 Years**

(21) Appl. No.: **29/736,366**

(22) Filed: **May 29, 2020**

(51) **LOC (14) Cl.** **06-06**

(52) **U.S. Cl.**
USPC **D6/682.1**

(58) **Field of Classification Search**
USPC ... D6/672–673, 675–675.1, 682–682.1, 691;
D21/658
CPC A47F 5/01; A47F 5/0876; A47F 5/0884;
A47F 7/00; A47F 2007/0092; A47G
29/00; A47G 29/08
See application file for complete search history.

(56) **References Cited**

U.S. PATENT DOCUMENTS

D337,965 S * 8/1993 Willitts, Jr. D11/164
D424,330 S * 5/2000 DeWitt D6/672

D671,346 S * 11/2012 Zlatic D9/733
D686,839 S * 7/2013 Markwick D6/673
D792,260 S * 7/2017 Miller D10/121
D812,395 S * 3/2018 Buell D6/542
D814,208 S * 4/2018 Mann D6/515
D818,739 S * 5/2018 Buell D6/542
D930,655 S * 9/2021 Lin D14/447
D936,059 S * 11/2021 Deng D14/434
D939,251 S * 12/2021 Wunner D6/672
D948,963 S * 4/2022 McGee, Jr. D7/628
D970,943 S * 11/2022 Filice D6/699.4
D971,892 S * 12/2022 Brogan D14/224

* cited by examiner

Primary Examiner — Kelley A Donnelly

(74) *Attorney, Agent, or Firm* — Puget Patent; Michael Gibbons

(57) **CLAIM**

The ornamental design for a tall post, as shown and described.

DESCRIPTION

FIG. 1 is a rear perspective view of a tall post showing our new design;
FIG. 2 is a front perspective view thereof;
FIG. 3 is a rear view thereof;
FIG. 4 is a right side view thereof, the left side being a mirror image of the right side;
FIG. 5 is a front view thereof;
FIG. 6 is a top view thereof; and,
FIG. 7 is a bottom view thereof.

1 Claim, 4 Drawing Sheets

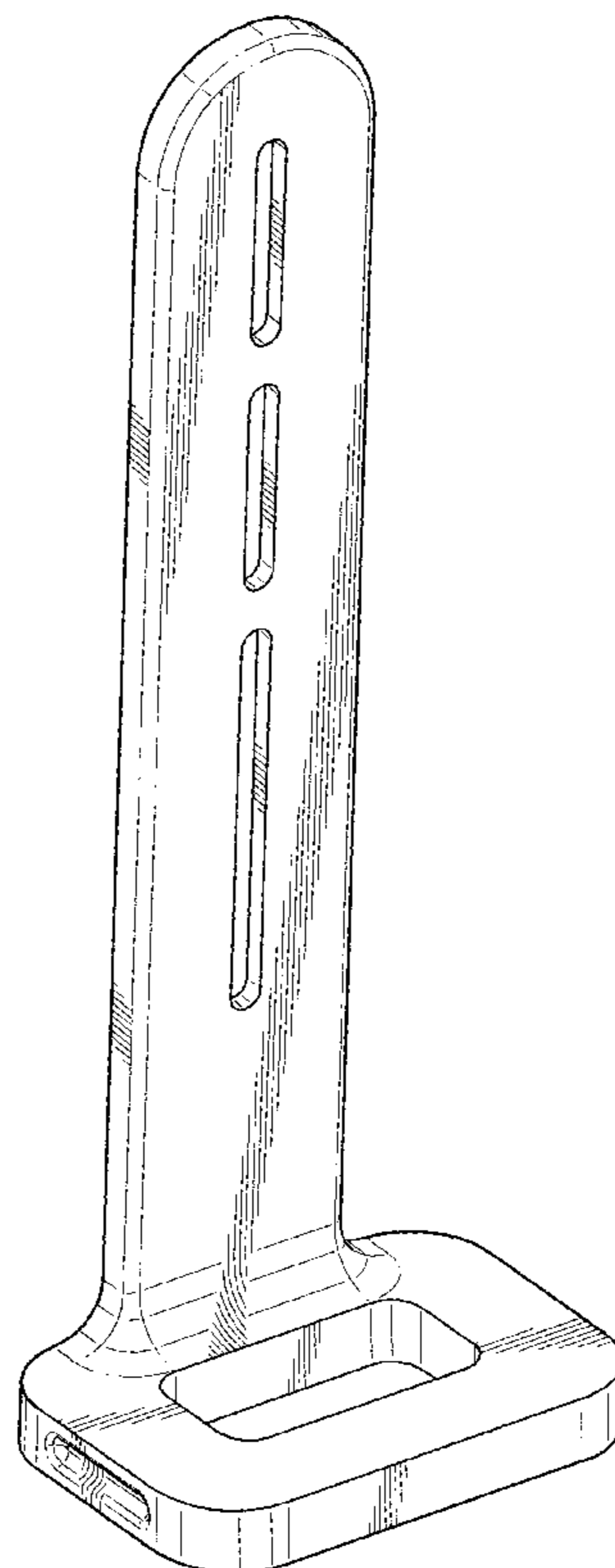


FIG. 1

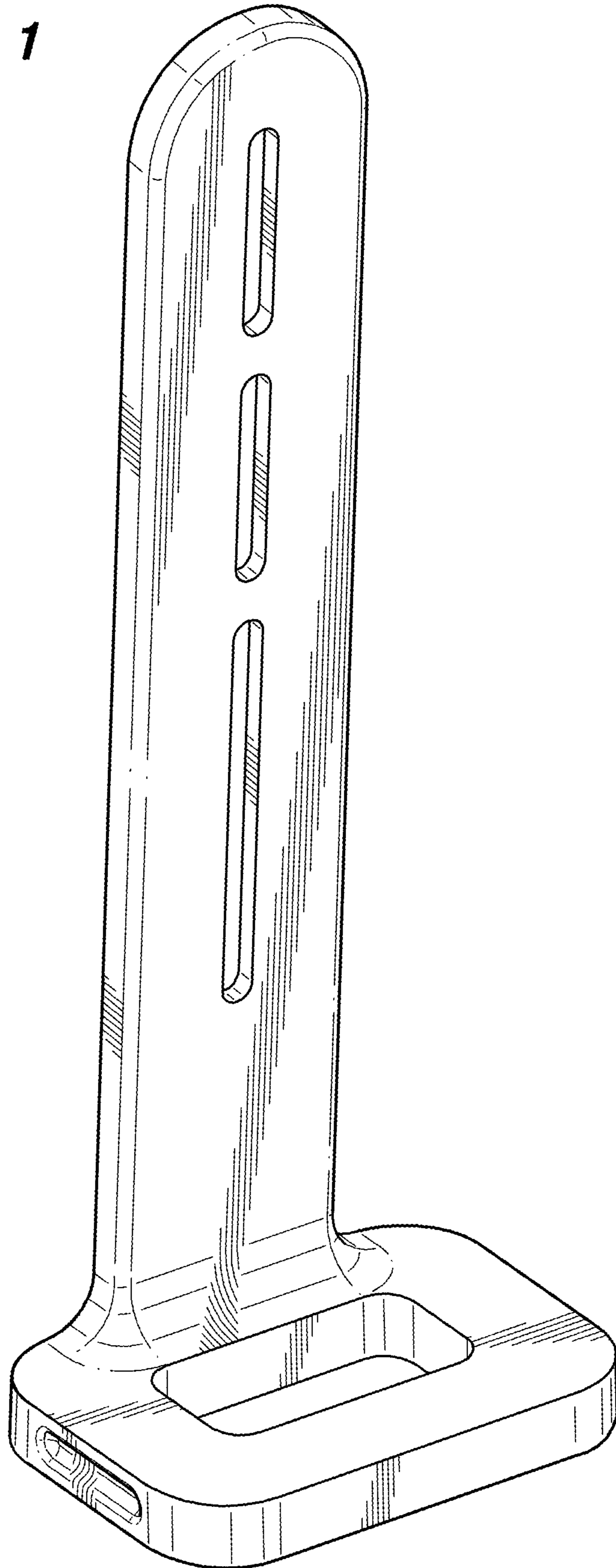


FIG. 2

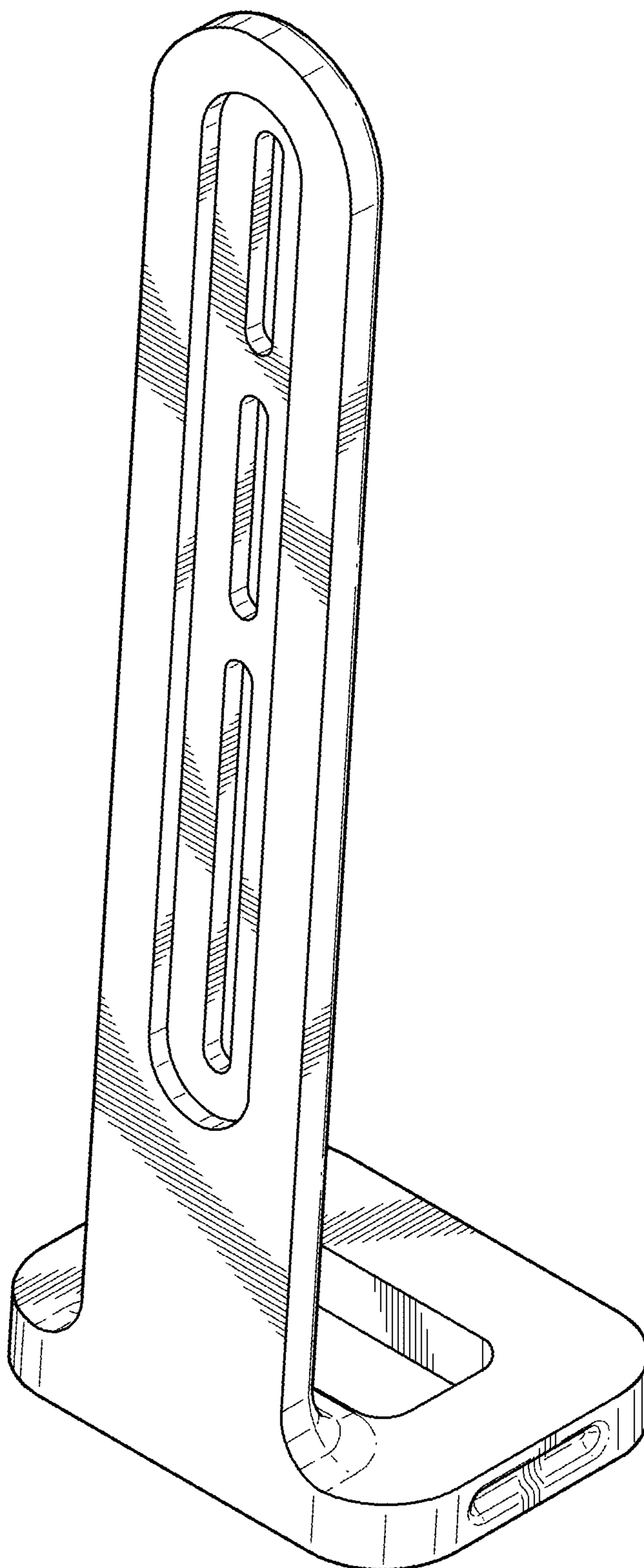


FIG. 3

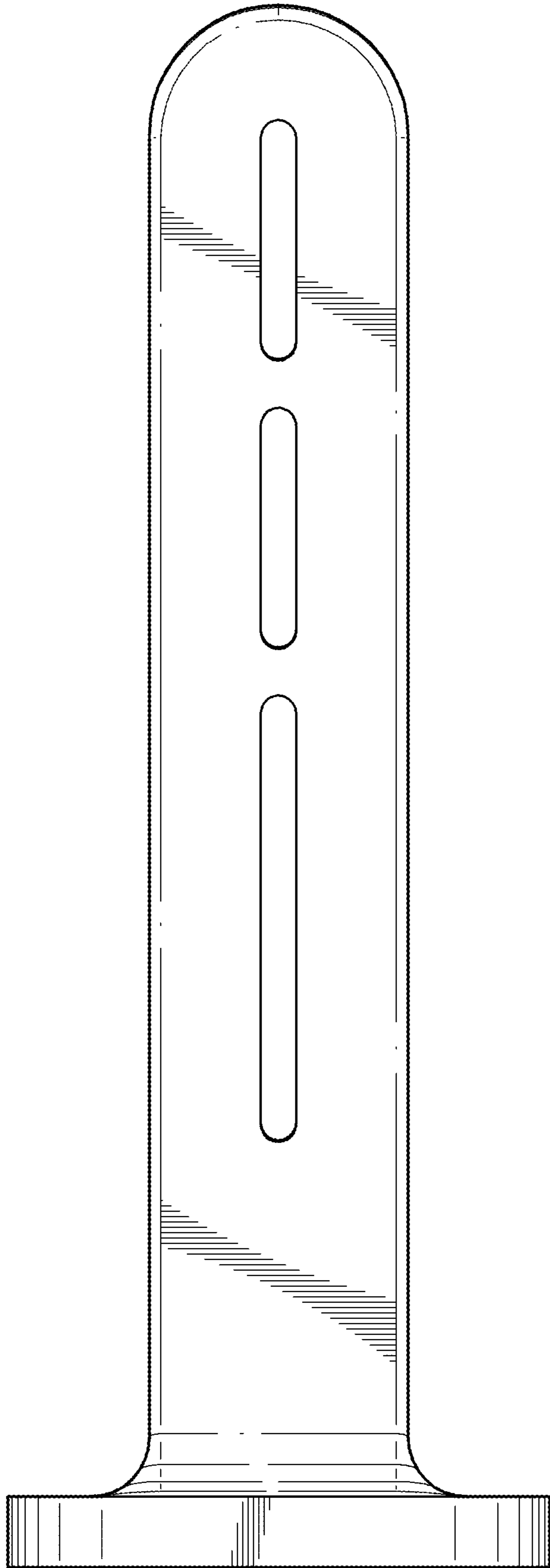


FIG. 4

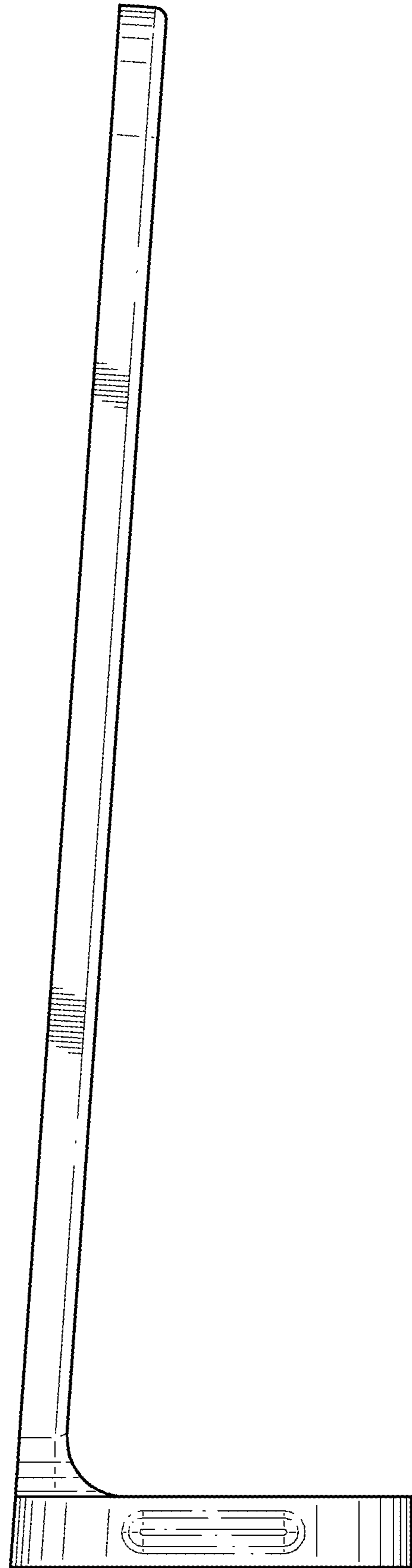


FIG. 5

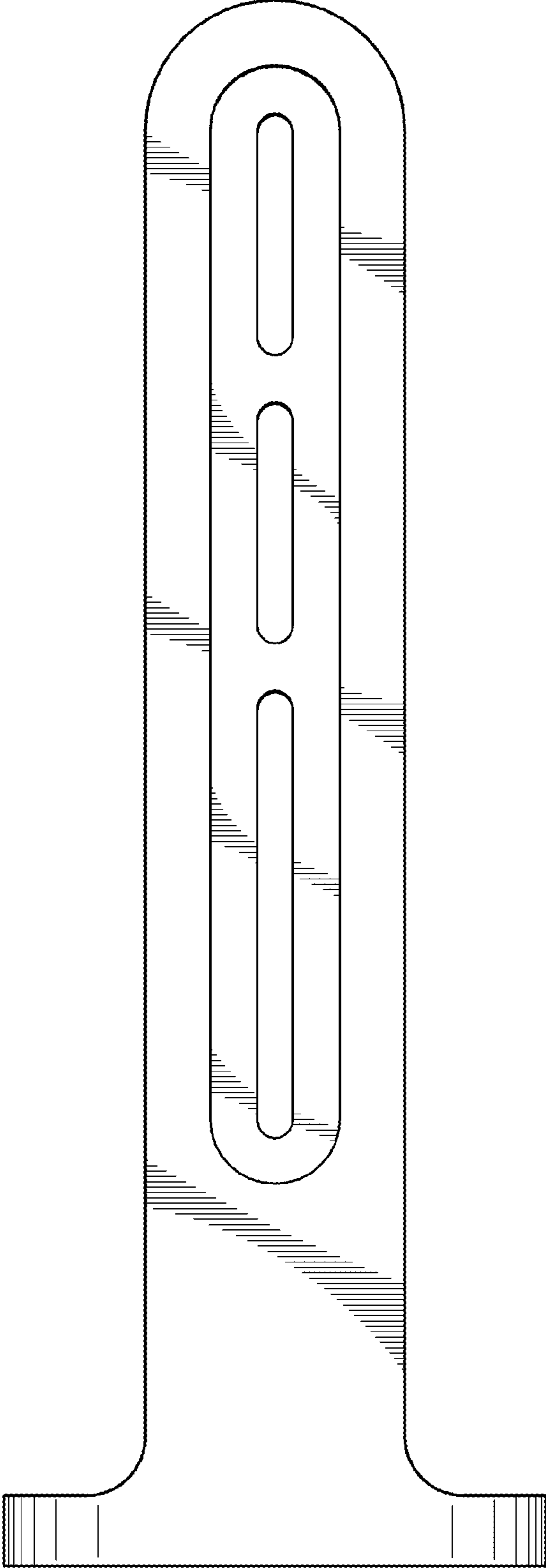


FIG. 6

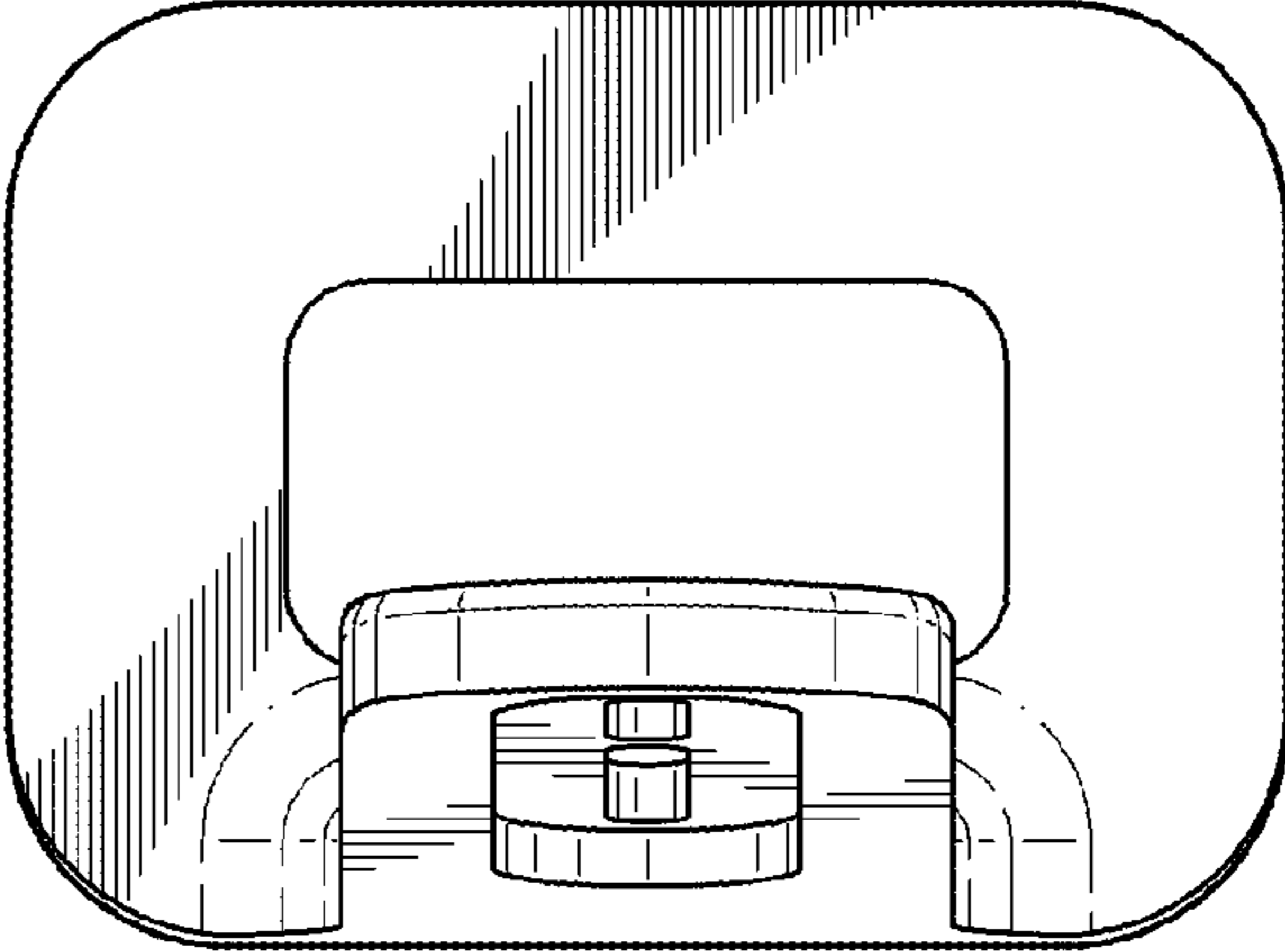


FIG. 7

