



US00D982948S

(12) **United States Design Patent** (10) **Patent No.:** **US D982,948 S**
Chen (45) **Date of Patent:** **** Apr. 11, 2023**

(54) **END TABLE**

(71) Applicant: **Biheng Chen**, Guangdong (CN)

(72) Inventor: **Biheng Chen**, Guangdong (CN)

(73) Assignee: **Biheng Chen**, Shenzhen (CN)

(**) Term: **15 Years**

(21) Appl. No.: **29/854,702**

(22) Filed: **Sep. 27, 2022**

(51) **LOC (14) Cl.** **06-06**

(52) **U.S. Cl.**

USPC **D6/677.2**

(58) **Field of Classification Search**

USPC D6/672, 677, 677.1, 677.2, 677.3, 682,
D6/682.1; D3/304, 313, 316

CPC B65D 1/00; B65D 11/02; B65D 1/0223;
A47B 31/00; A47B 1/0223

See application file for complete search history.

(56) **References Cited**

U.S. PATENT DOCUMENTS

| | | | | |
|---------------|---------|-------------------|-------|--------------------------|
| D220,046 S * | 3/1971 | Pascarella et al. | | D6/677.1 |
| D232,679 S * | 9/1974 | Weiss | | D6/677.2 |
| D237,564 S * | 11/1975 | Laylon | | D6/692.3 |
| 4,338,867 A * | 7/1982 | Imber | | A47B 13/02 248/188.91 |
| D304,789 S * | 11/1989 | Scholl | | D6/692.6 |
| D357,832 S * | 5/1995 | Yeh | | D6/692.5 |
| D370,803 S * | 6/1996 | Martin | | D6/692.6 |
| D422,166 S * | 4/2000 | Black | | D6/677.1 |
| D549,489 S * | 8/2007 | Kreiss | | D6/677.1 |
| D775,873 S * | 1/2017 | Burnett | | A47G 1/164 D6/677.2 |
| D821,789 S | 7/2018 | Traeger | | |
| D868,511 S * | 12/2019 | McBride | | D6/677.1 |
| D925,989 S * | 7/2021 | Lin | | D7/600.2 |
| D942,139 S * | 2/2022 | Song | | D3/10 |
| D956,461 S * | 7/2022 | Handler | | D6/692.3 |
| D964,814 S * | 9/2022 | Liao | | D6/677.1 |

OTHER PUBLICATIONS

https://www.amazon.com/Dulcii-Industrial-Nightstand-Assembly-Furniture/dp/B09GV76BBY/ref=sr_1_2?crd=2FU8575SW5MU3&keywords=Dulcii%2BIndustrial%2BRound%2BEnd%2BTable

&qid=1668785223&srefix=dulcii%2BIndustrial%2BRound%2BEnd%2Btable%2Caps%2C195&sr=8-2&ufe=app_do%3Aamazon1.fos.08f69ac3-fd3d-4b88-bca2-8997e41410bb&th=1.*

Biheng Chen, Industrial Nordic End Table, 3-Tier Round Side Table with Storage Shelf Edge Protection Tray, Sturdy Metal Frame Coffee Table Bedside Table for Living Room Bedroom Small Spaces, Dec. 18, 2021 https://www.amazon.co.uk/Industrial-Storage-Protection-Bedside-Bedroom/dp/B09FF1MGN9/ref=zg_bs_2850923031_sccl_9/260-1562167-5927766?pd_rd_i=B09FF1MGN9&pssc=1.

Biheng Chen, Dulcii Industrial Round End Table, 3 Tiers Round Side Table with Sturdy Metal Frame, Metal Round Sofa Table, Vintage Nightstand for Living Room Bedroom, Easy Assembly, Dec. 28, 2021 https://www.amazon.ca/Dulcii-Industrial-Vintage-Nightstand-Assembly/dp/B09GV76BBY/ref=sr_1_1?crd=1DMZWR9J60QM0&keywords-round+end+table&qid=1661832769&s=amazon-devices&srefix-round+end+table%2Camazon-devices%2C412&sr=1-1.

Biheng Chen, Dulcii Industrial Round End Table, 3 Tiers Round Side Table with Sturdy Metal Frame, Metal Round Sofa Table, Vintage Nightstand for Living Room Bedroom, Easy Assembly, Wood Look Accent Furniture, Sep. 22, 2021 https://www.amazon.com/dp/B09GV76BBY/&language=en_US.

* cited by examiner

Primary Examiner — Kelley A Donnelly

(74) *Attorney, Agent, or Firm* — Nitin Kaushik

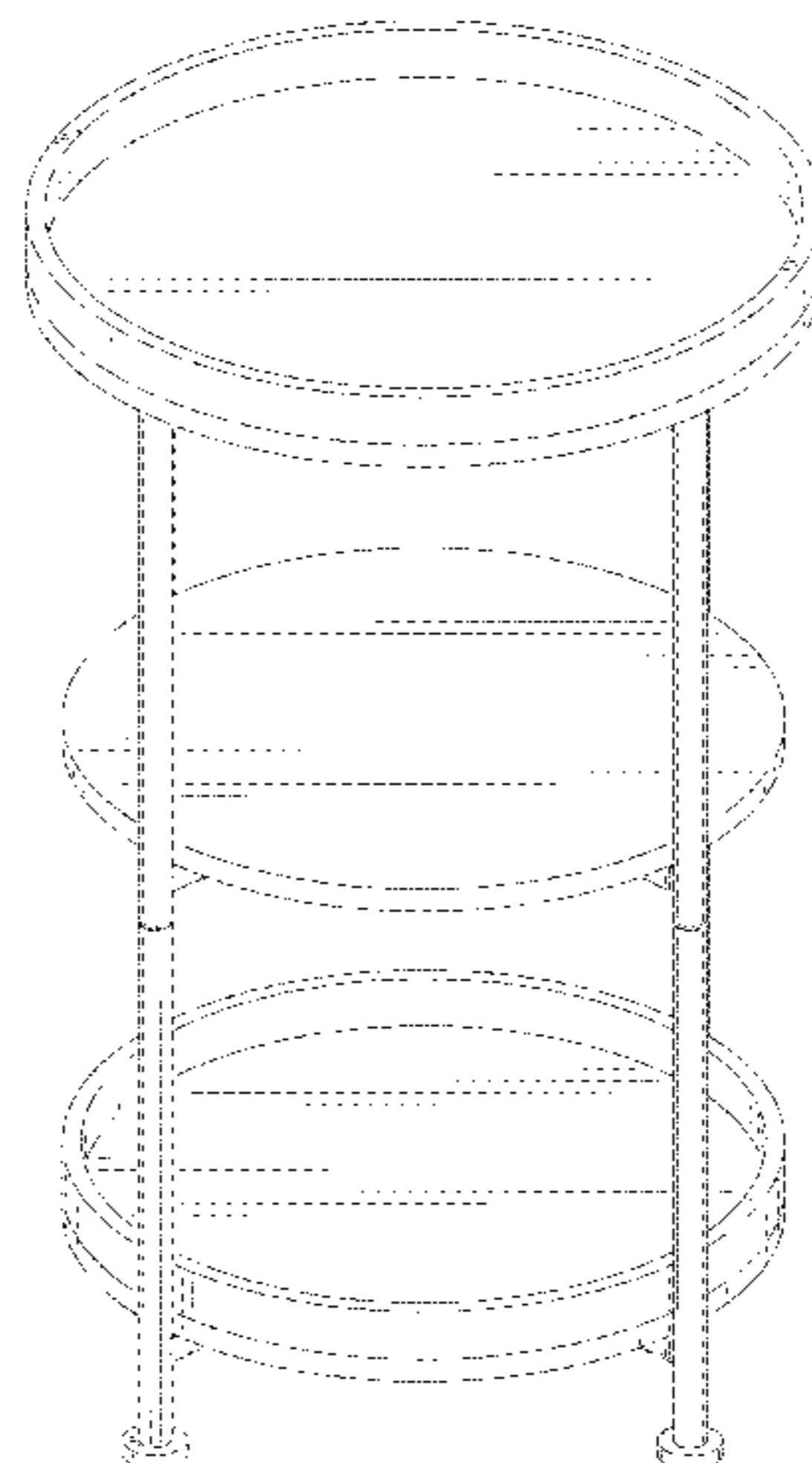
(57) **CLAIM**

The ornamental design for an end table, as shown and described.

DESCRIPTION

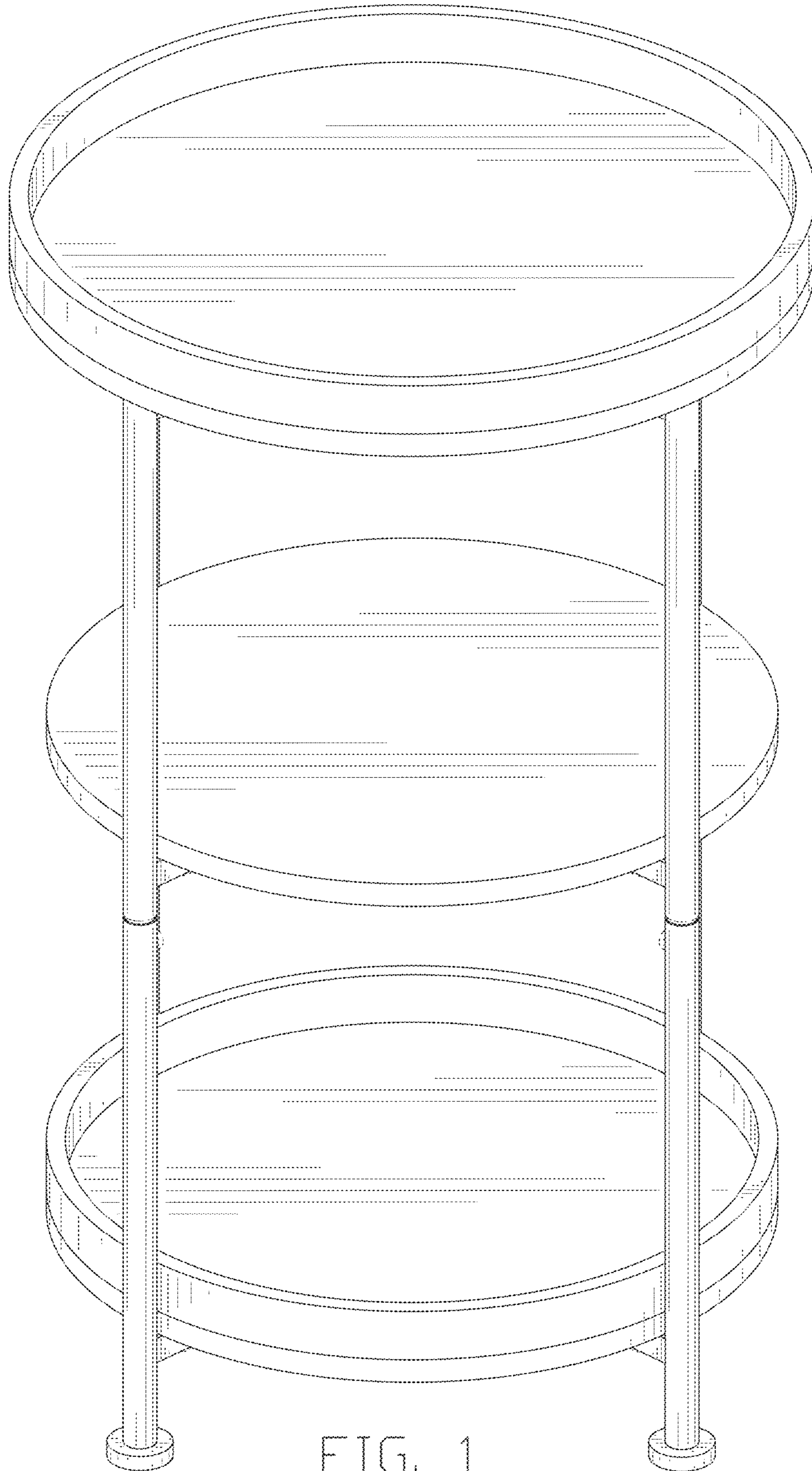
FIG. 1 is a front and top perspective view of an end table, showing my new design;
FIG. 2 is a rear and bottom perspective view thereof;
FIG. 3 is a front elevation view thereof;
FIG. 4 is a rear elevation view thereof;
FIG. 5 is a left side elevation view thereof;
FIG. 6 is a right side elevation view thereof;
FIG. 7 is a top plan view thereof; and,
FIG. 8 is a bottom plan view thereof.

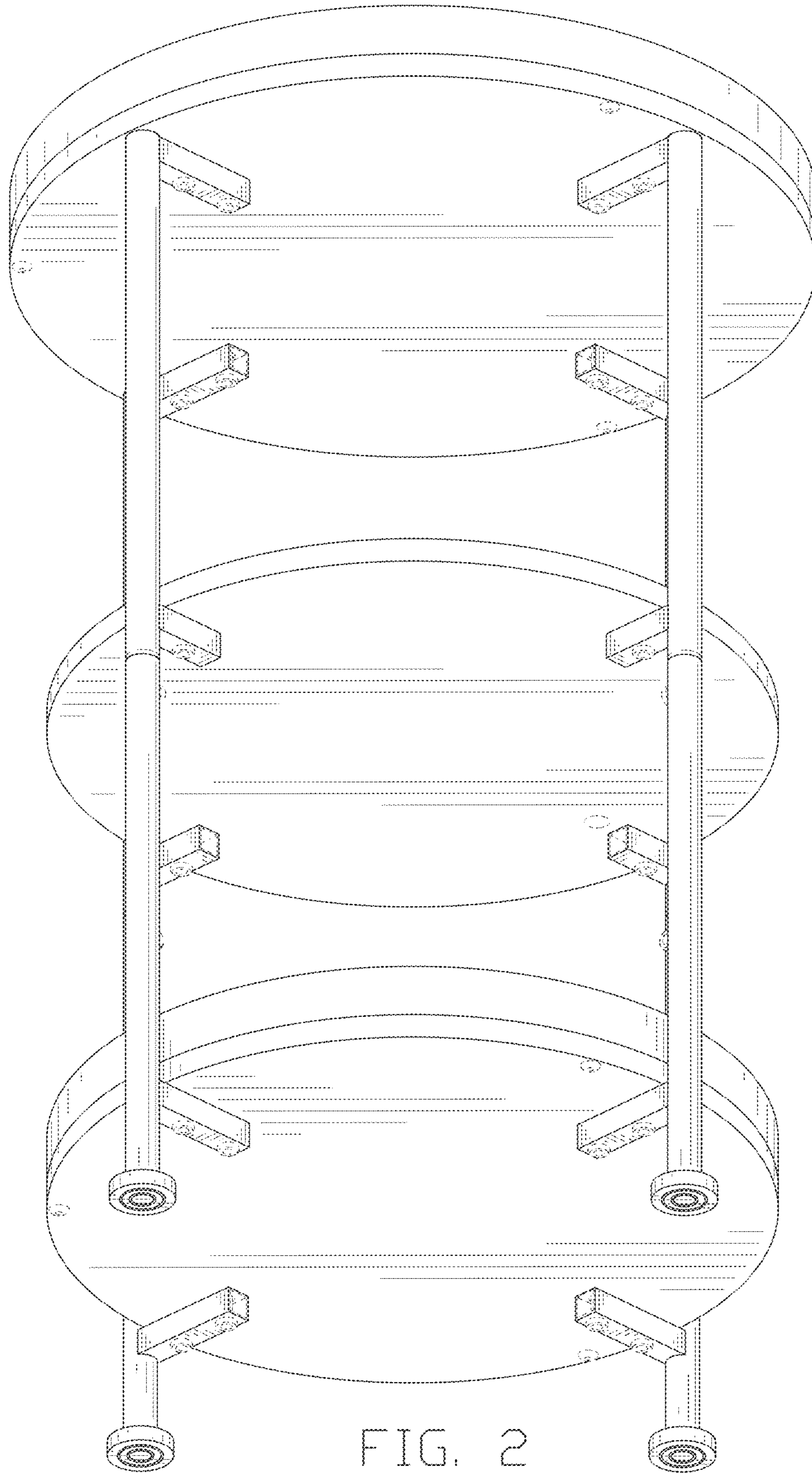
(Continued)



The broken lines in the figures illustrate portions of the end table that form no part of the claimed design.

1 Claim, 8 Drawing Sheets





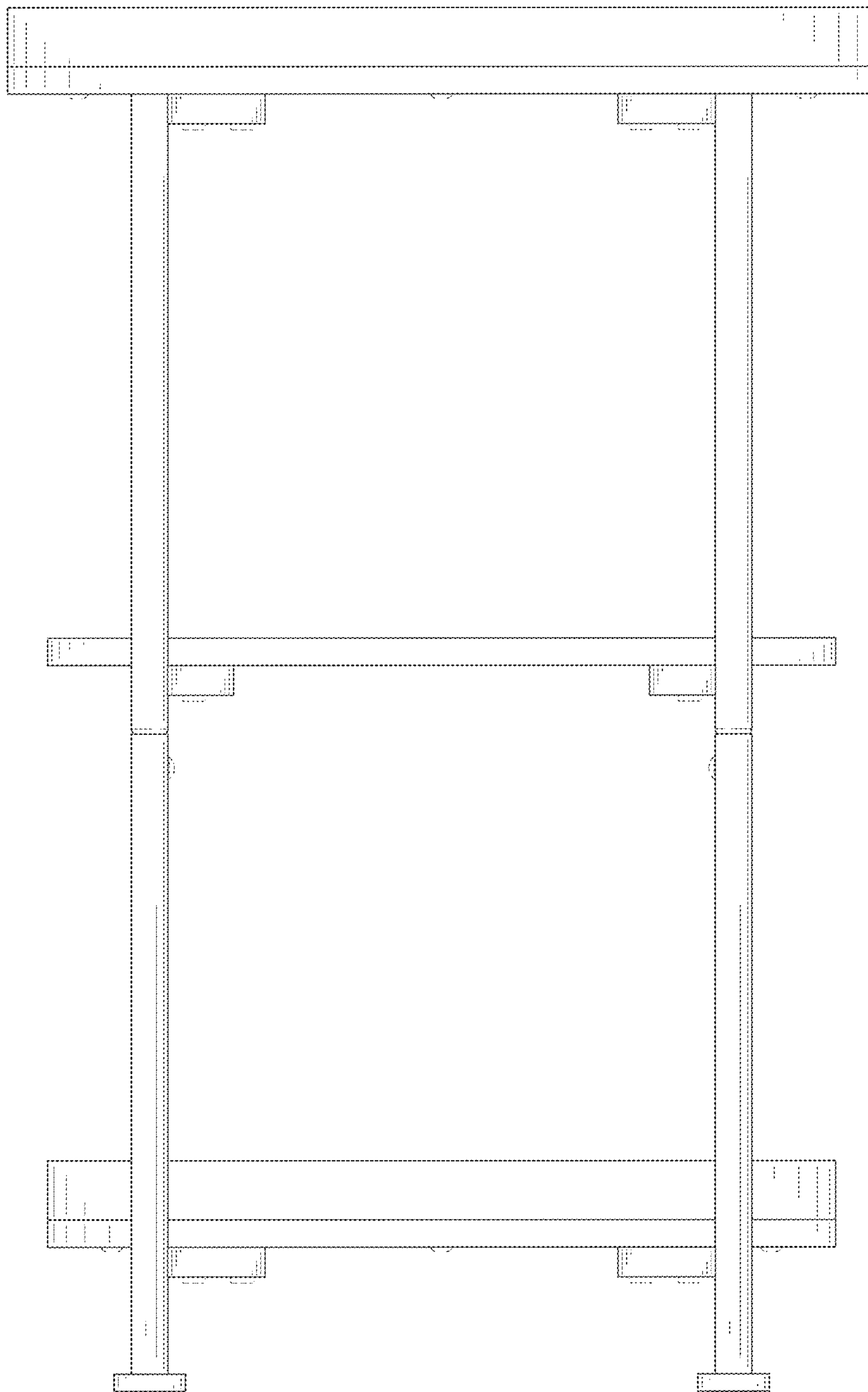


FIG. 3

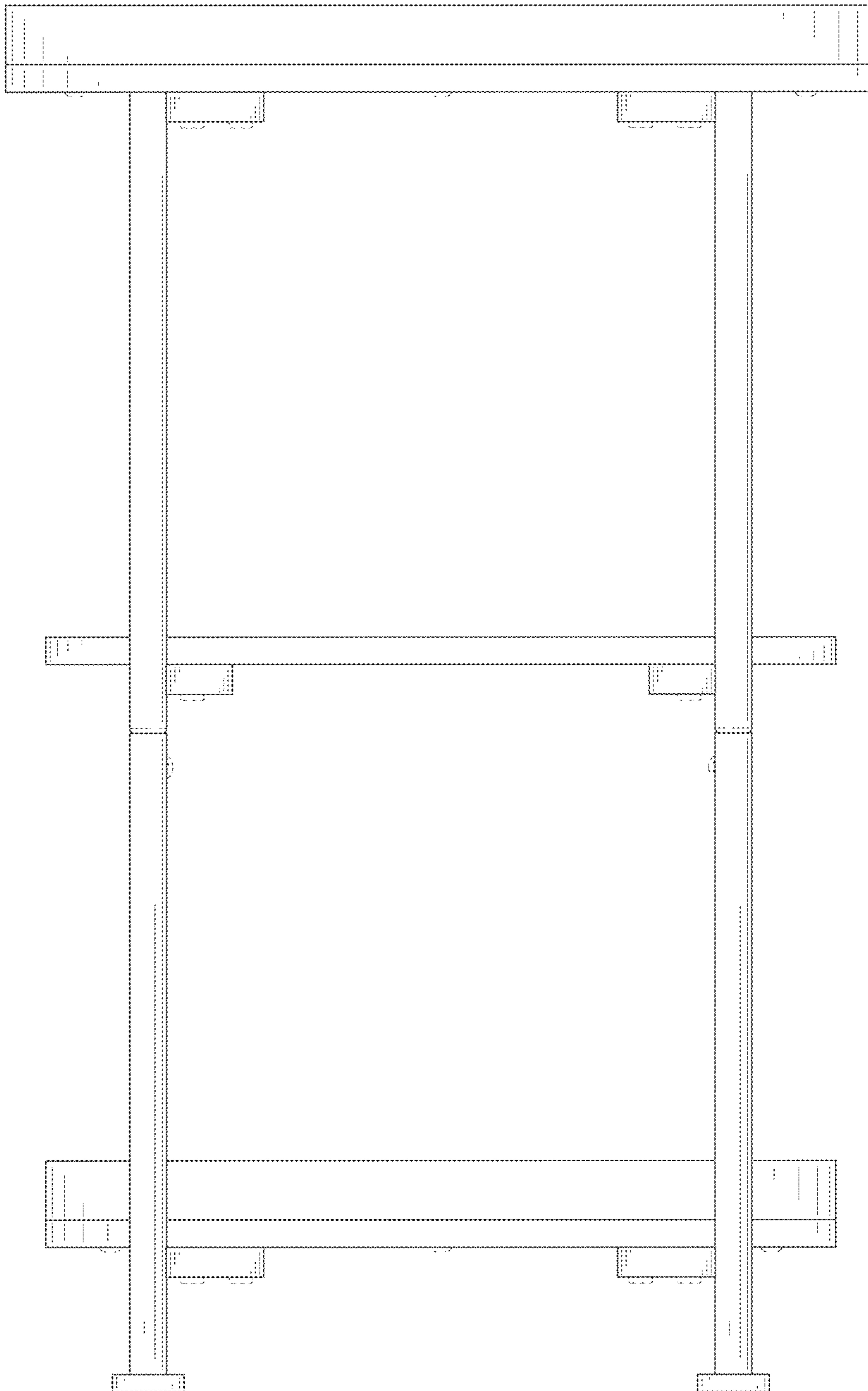


FIG. 4

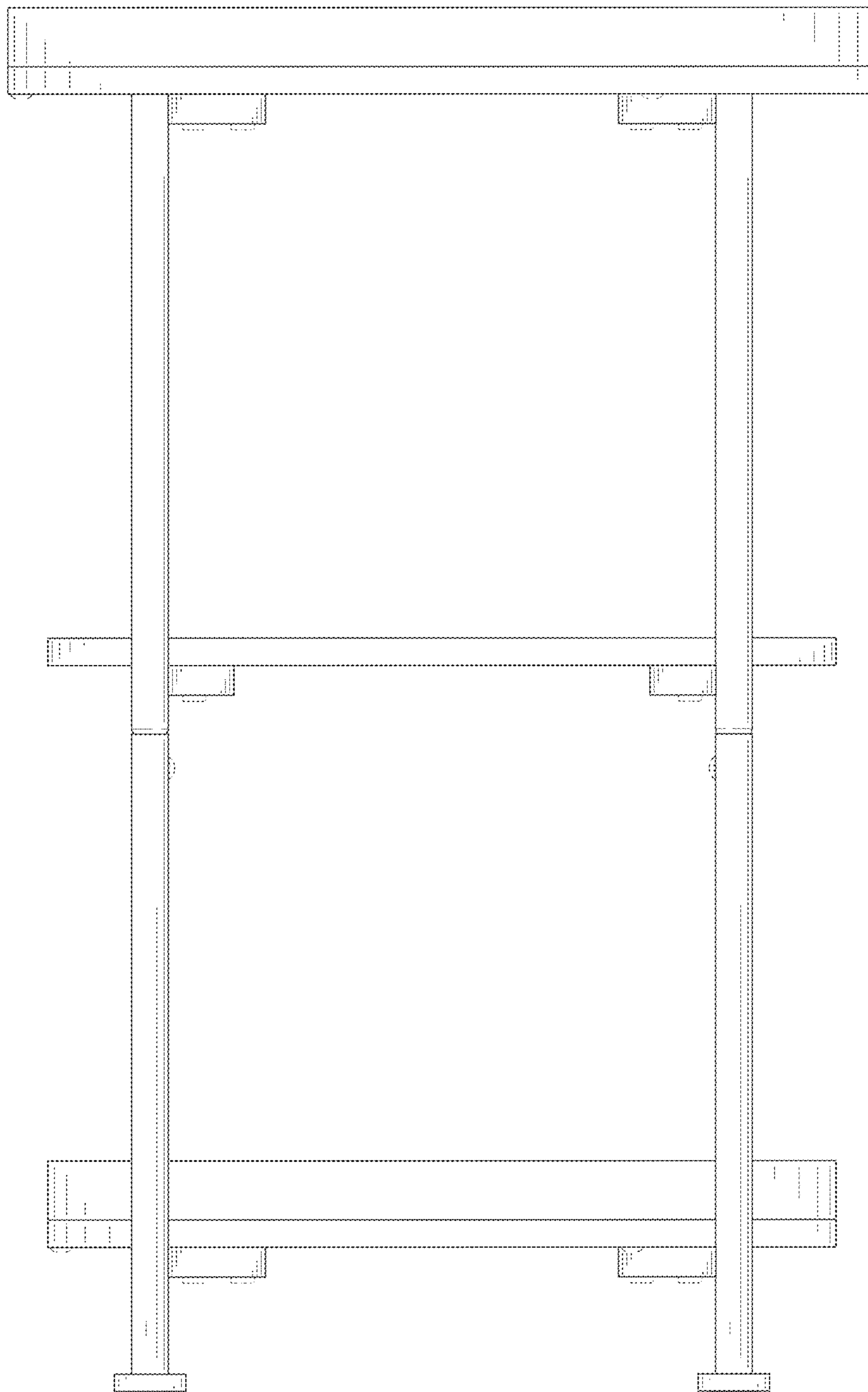


FIG. 5

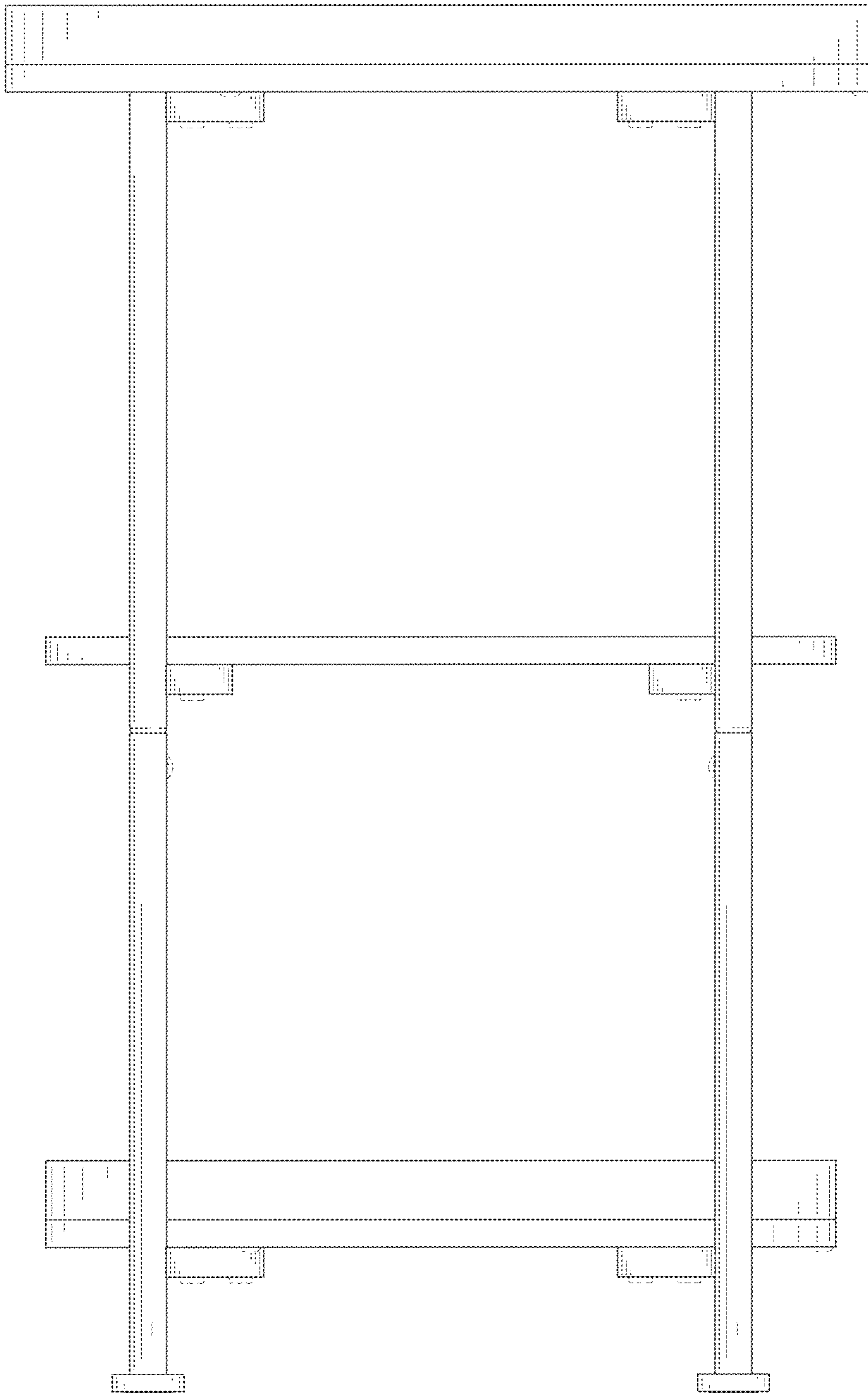


FIG. 6

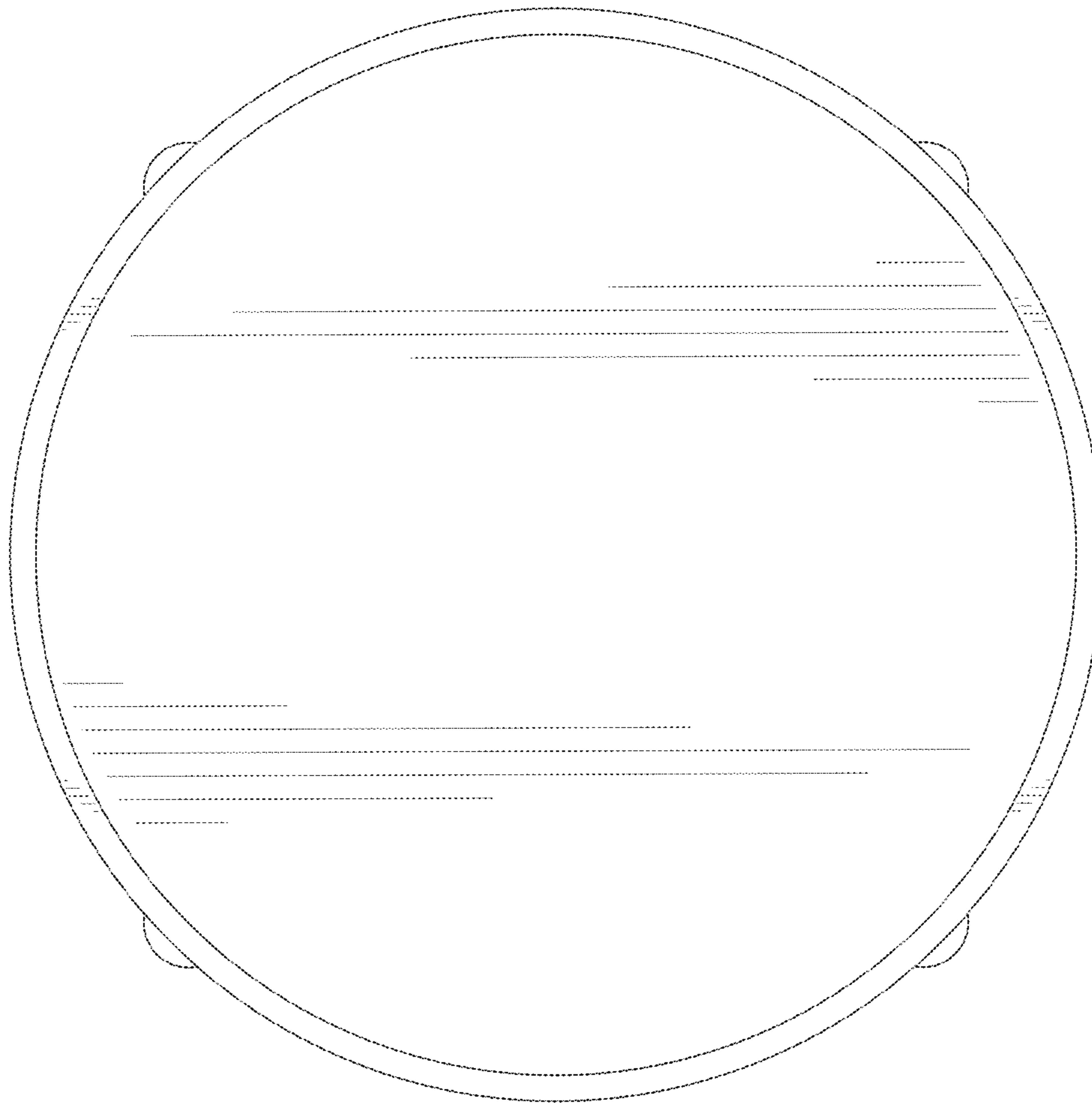


FIG. 7

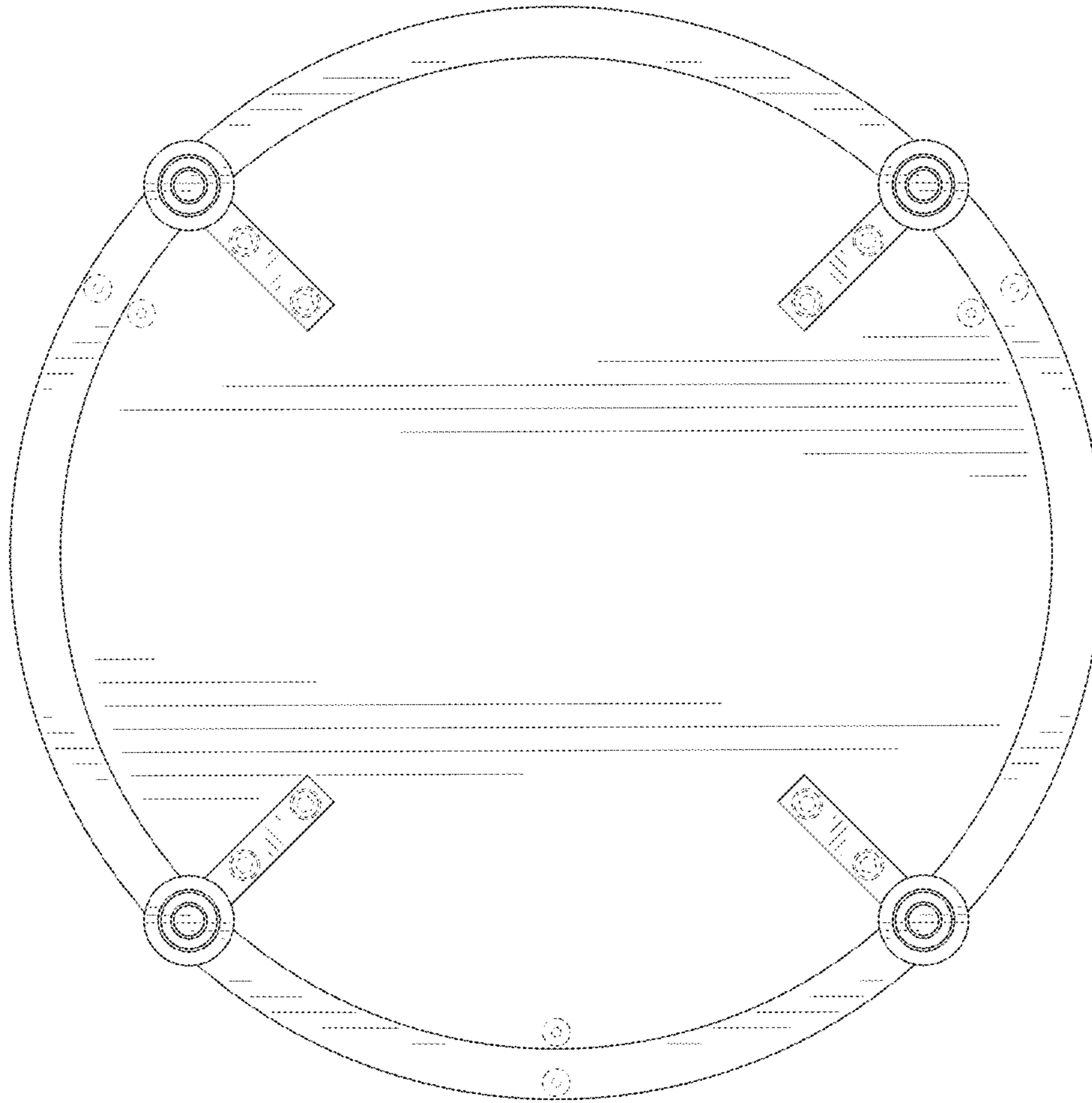


FIG. 8