



US00D982947S

(12) **United States Design Patent**  
**Li**

(10) **Patent No.:** **US D982,947 S**  
(45) **Date of Patent:** **\*\* Apr. 11, 2023**

(54) **STACKABLE CAN STORAGE DISPENSER**

(71) Applicant: **DONGGUANSHI XIN HONG PLASTICS & ELECTRONICS LIMITED**, Guangdong (CN)

(72) Inventor: **Zhibo Li**, Guangdong (CN)

(73) Assignee: **DONGGUANSHI XIN HONG PLASTICS & ELECTRONICS LIMITED**, Dongguan (CN)

(\*\*) Term: **15 Years**

(21) Appl. No.: **29/867,944**

(22) Filed: **Nov. 14, 2022**

(51) **LOC (14) Cl.** ..... **06-06**

(52) **U.S. Cl.**  
USPC ..... **D6/675.2; D7/704**

(58) **Field of Classification Search**  
USPC ..... D6/512, 513, 515-524, 675.2, 675.4, D6/675.5, 678.3, 678.4; D8/380; D7/600.1, 600.4, 704  
CPC .... A47F 1/087; A47F 1/08; A47F 1/04; A47F 1/12; A47F 5/0025; A47F 3/02; A47F 7/0007; A47F 7/0035; A47F 5/0031; A47F 1/082; A47F 7/281  
See application file for complete search history.

(56) **References Cited**

**U.S. PATENT DOCUMENTS**

2,125,000 A \* 7/1938 Considine ..... F25D 25/00 211/181.1  
D211,918 S \* 8/1968 Wilder et al. .... D6/515

3,805,964 A \* 4/1974 Titus, Jr. .... F25D 25/02 312/35  
D347,922 S \* 6/1994 Trevaskis ..... D6/515  
D354,181 S \* 1/1995 Smith ..... D6/675.2  
6,991,116 B2 \* 1/2006 Johnson ..... A47F 1/087 312/45  
D527,749 S 9/2006 Eveland  
D699,986 S 2/2014 Tsai  
D828,145 S \* 9/2018 Le ..... D8/380  
D859,877 S \* 9/2019 Tuang ..... D7/704  
2006/0131321 A1 \* 6/2006 Nagelski ..... A47F 1/087 221/67  
2018/0140112 A1 \* 5/2018 Le ..... A47F 5/108

\* cited by examiner

*Primary Examiner* — Lauren R Calve

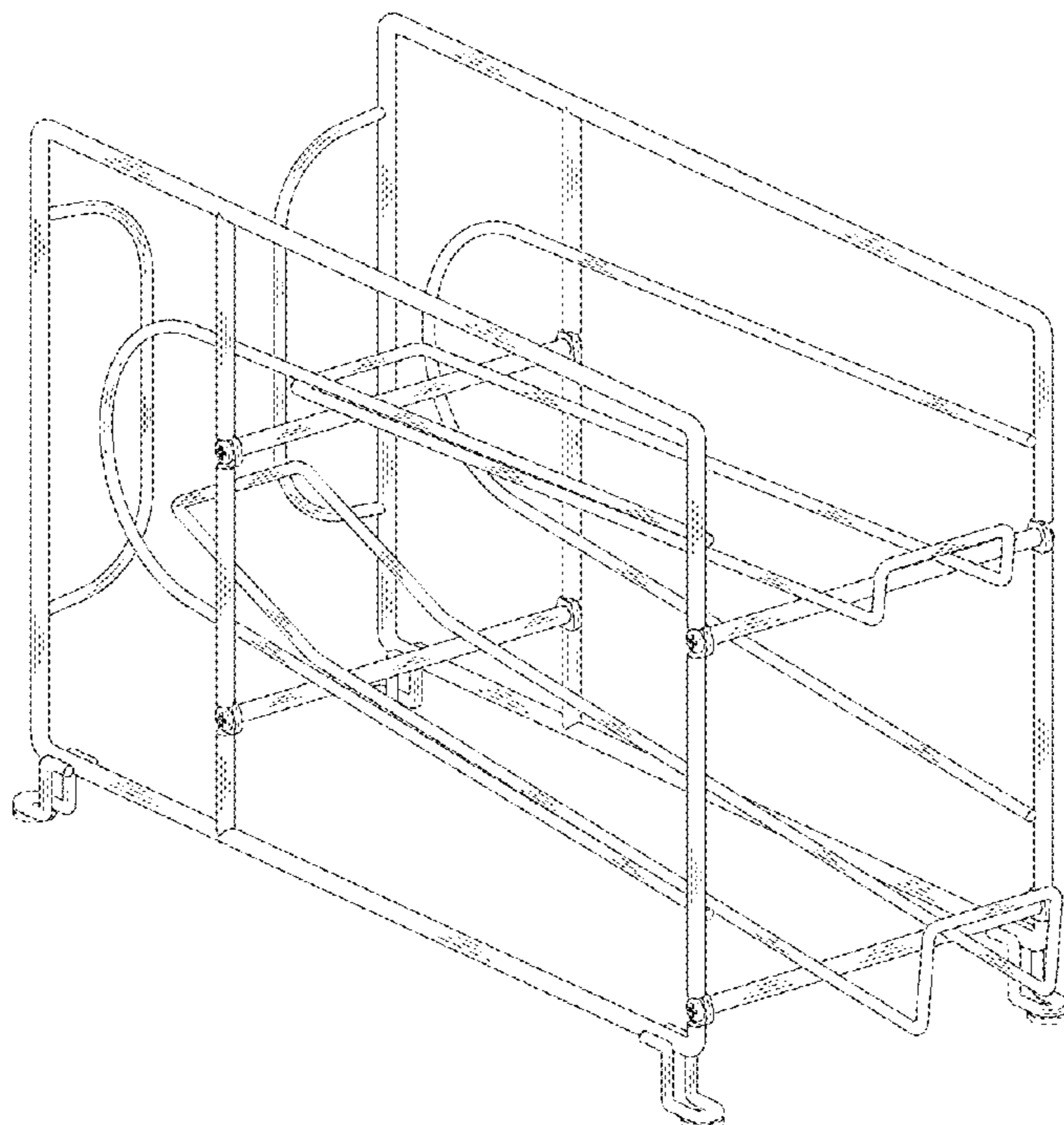
(57) **CLAIM**

The ornamental design for a stackable can storage dispenser, as shown and described.

**DESCRIPTION**

FIG. 1 is a top, right and front side perspective view of a stackable can storage dispenser, showing my new design; FIG. 2 is a front elevational view thereof; FIG. 3 is a back elevational view thereof; FIG. 4 is a left side elevational view thereof; FIG. 5 is a right side elevational view thereof; FIG. 6 is a top plan view thereof; FIG. 7 is a bottom plan view thereof; and, FIG. 8 is a top, right and front side perspective view of the stackable can storage shown in environmental use. The broken lines in the drawings depict bottom pads of the stackable can storage dispenser and illustrate environmental subject matters only that form no part of the claimed design.

**1 Claim, 8 Drawing Sheets**



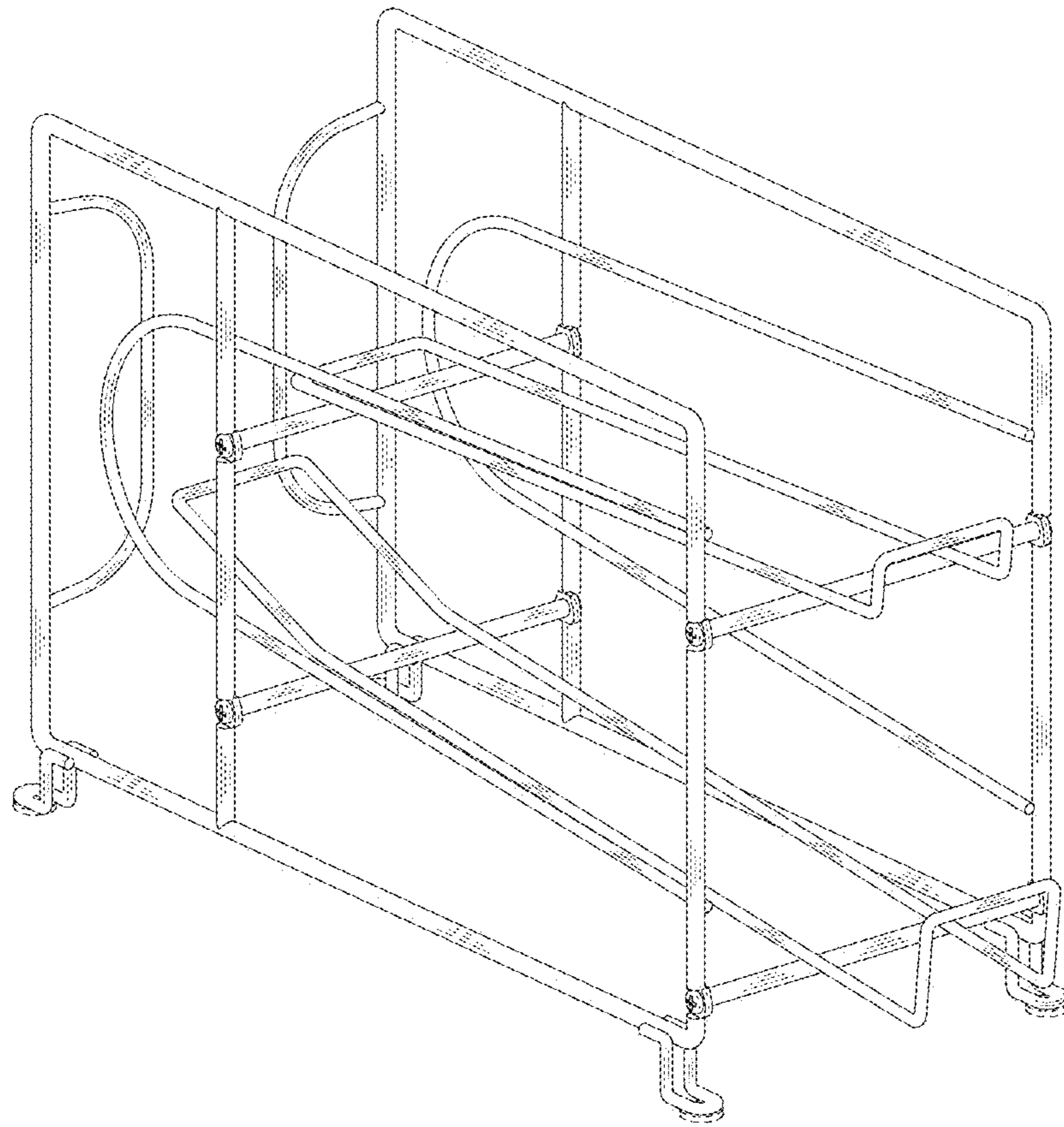


FIG. 1

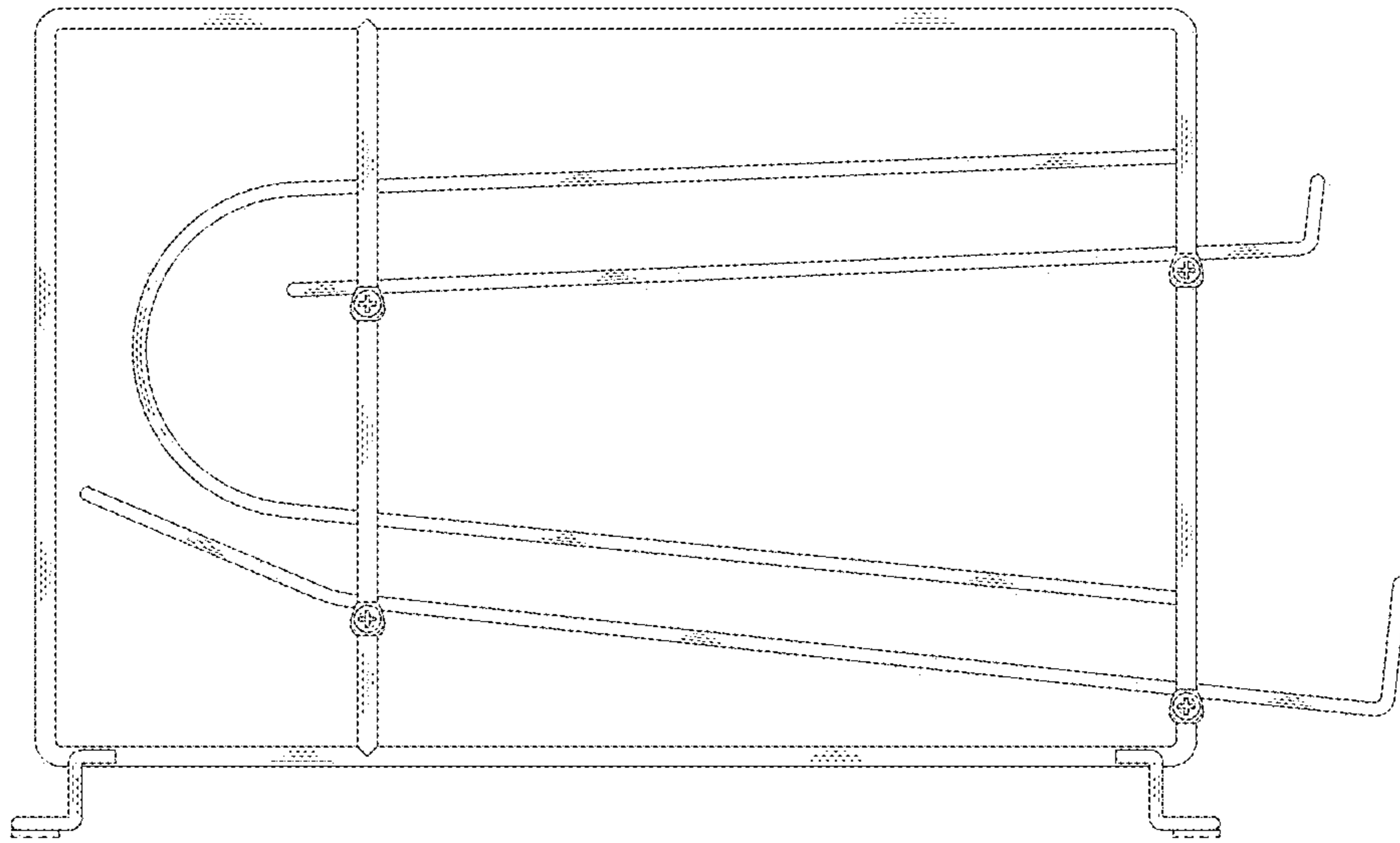


FIG. 2

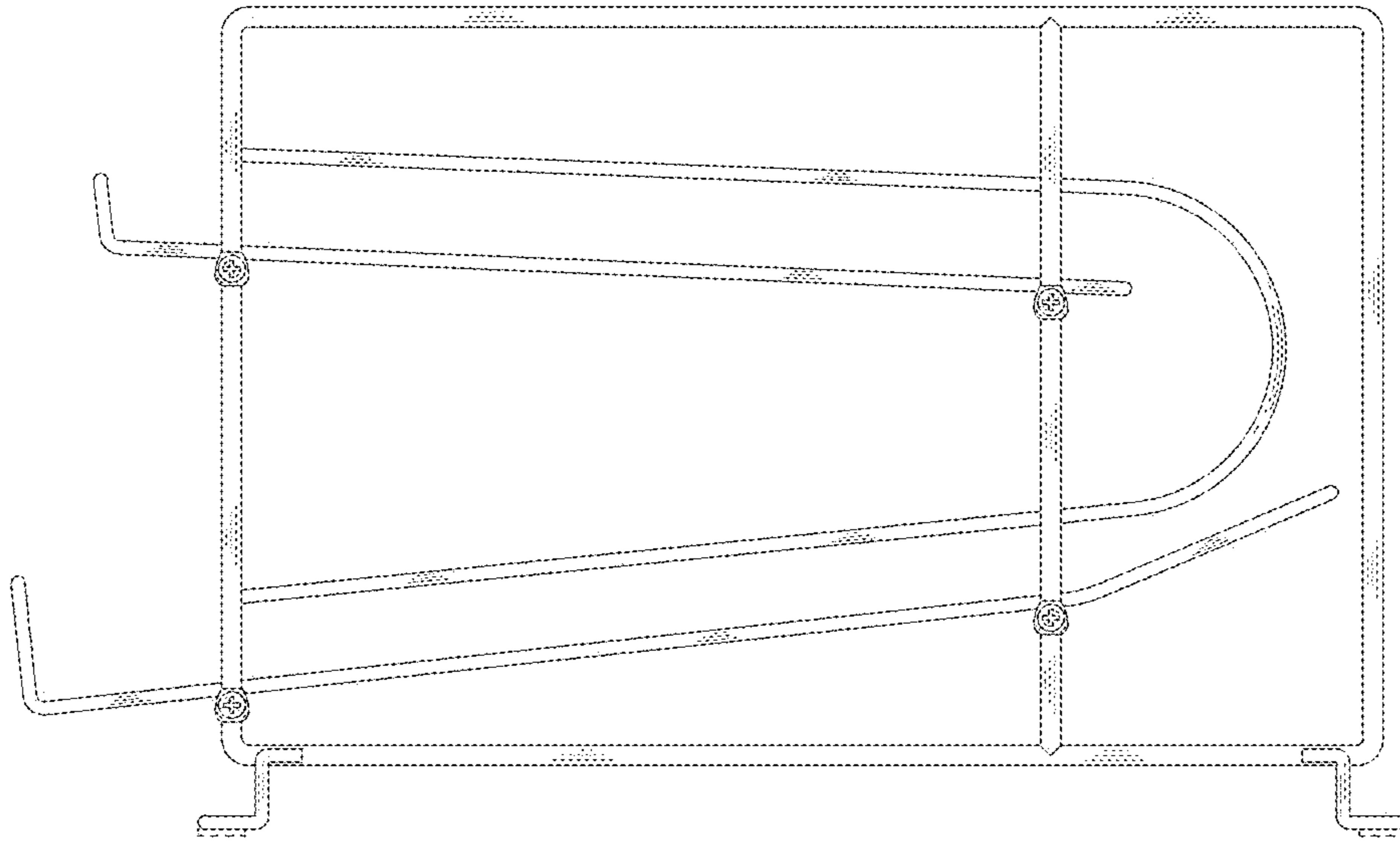


FIG. 3

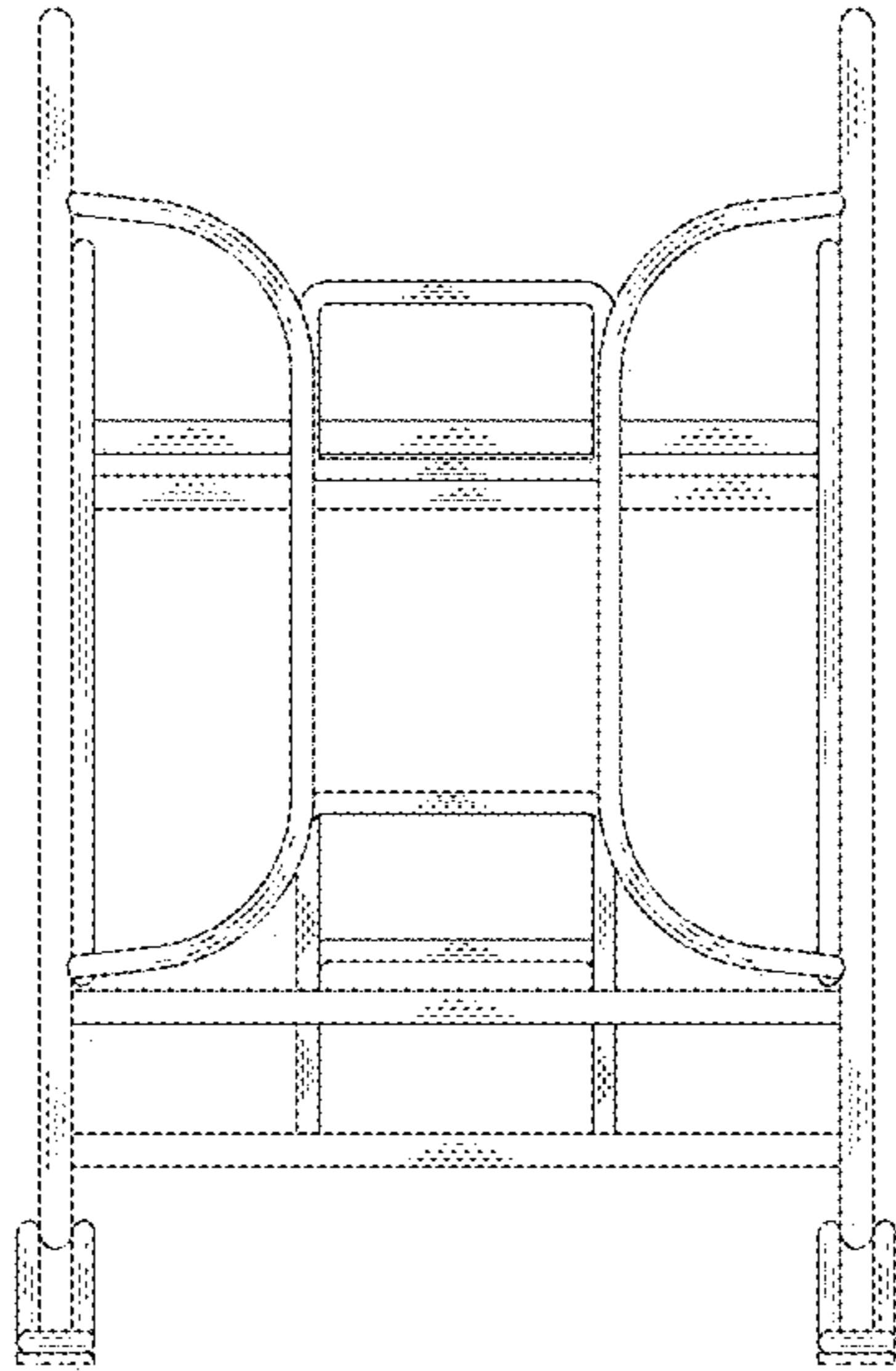


FIG. 4

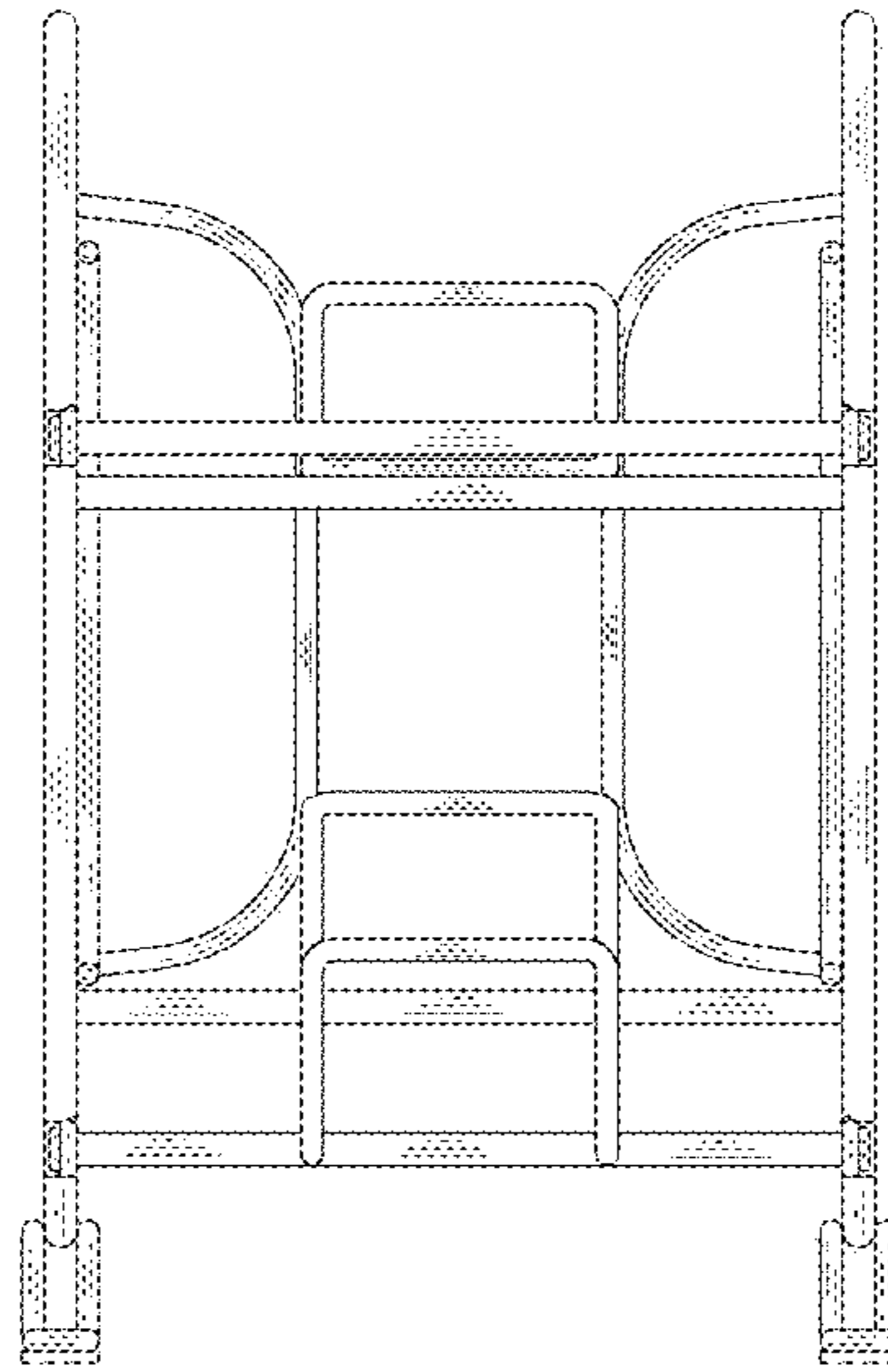


FIG. 5

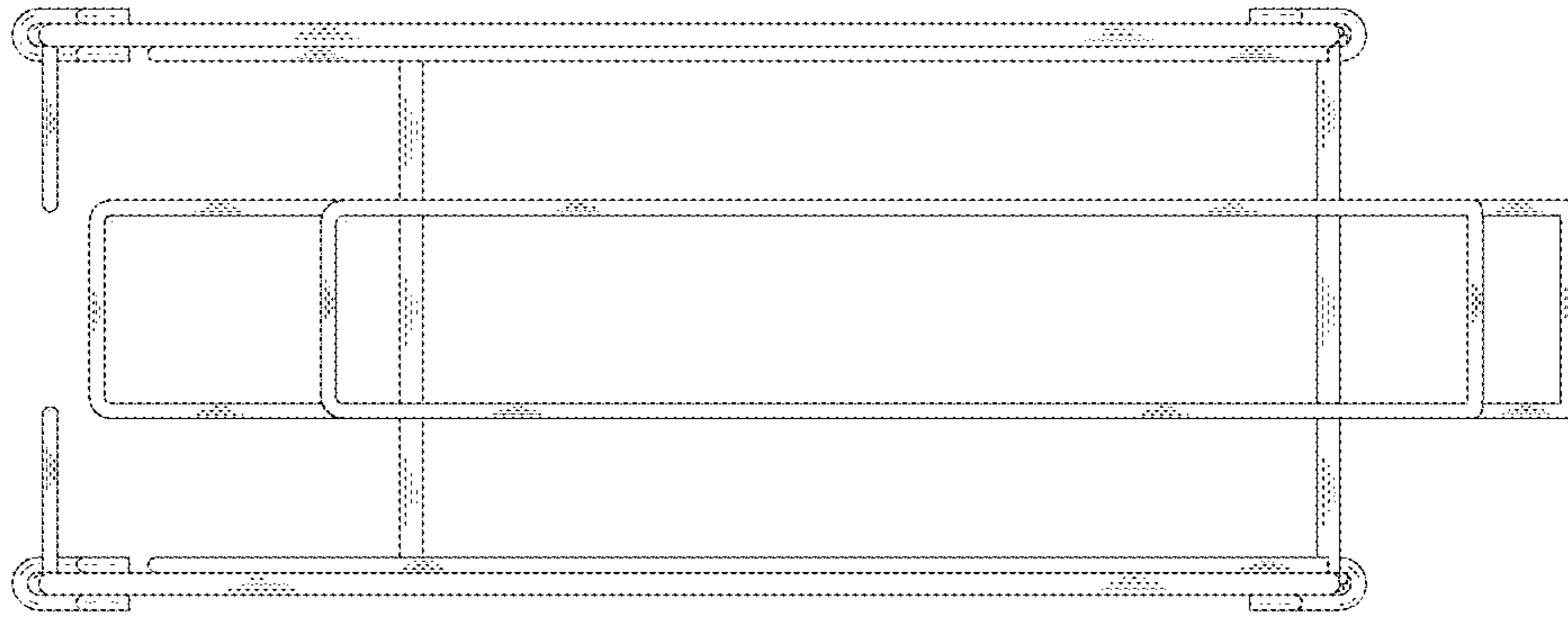


FIG. 6

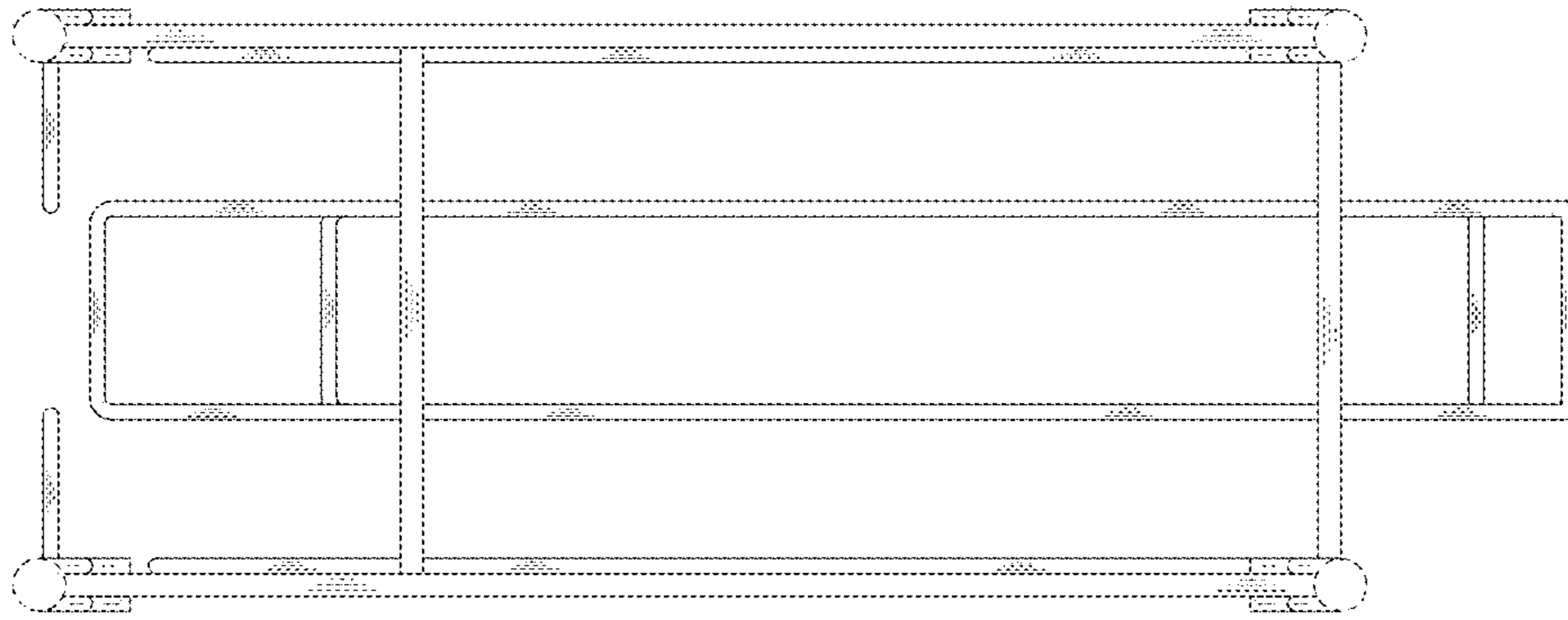


FIG. 7



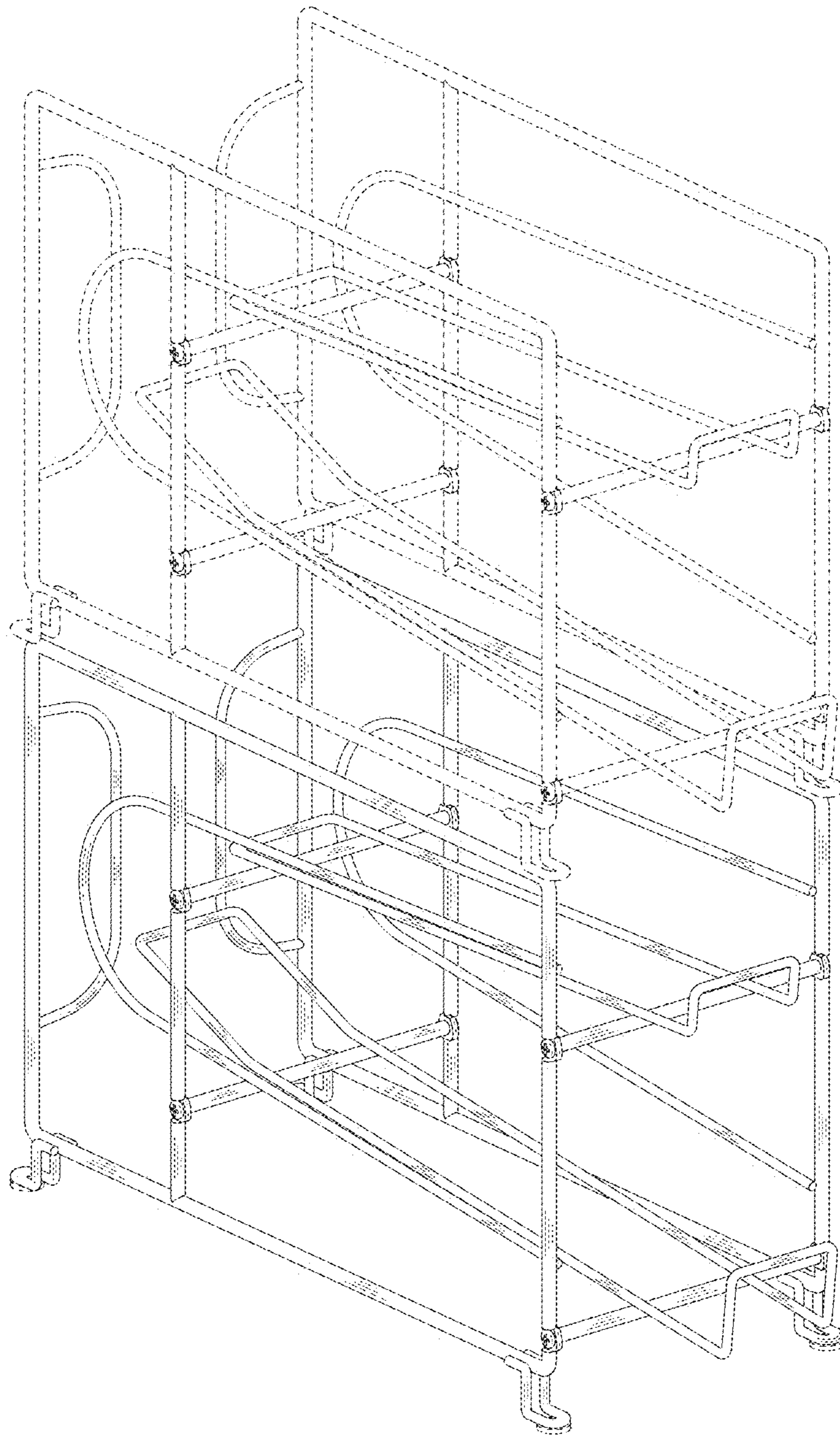


FIG. 8