



US00D982945S

(12) **United States Design Patent** (10) **Patent No.:** **US D982,945 S**  
**Li** (45) **Date of Patent:** **\*\* Apr. 11, 2023**

(54) **CABINETS**

(71) Applicant: **Luoyang Dbin Office Furniture Co., Ltd.**, Luoyang (CN)

(72) Inventor: **Yingbin Li**, Luoyang (CN)

(73) Assignee: **LUOYANG DBIN OFFICE FURNITURE CO., LTD.**, Luoyang (CN)

(\*\*) Term: **15 Years**

(21) Appl. No.: **29/882,181**

(22) Filed: **Jan. 11, 2023**

(51) **LOC (14) Cl.** ..... **06-04**

(52) **U.S. Cl.**

USPC ..... **D6/671.1**

(58) **Field of Classification Search**

USPC ..... D6/663, 664, 671, 671.1, 671.2, 671.3, D6/671.4, 705, 705.5, 705.6; D99/28, 29

CPC ..... A47B 17/04; A47B 45/00; A47B 47/04; A47B 47/03; A47B 67/00; A47B 67/04; A47B 88/00; A47B 88/40; A47B 88/42; A47B 47/00; A47B 47/02; A47B 47/45;

(Continued)

(56) **References Cited**

**U.S. PATENT DOCUMENTS**

D296,166 S \* 6/1988 Hills ..... D6/671.1  
5,016,946 A \* 5/1991 Reznikov ..... A47B 87/02

(Continued)

**OTHER PUBLICATIONS**

Vertical File Cabinets, uline.com. Retrieved Date: Feb. 24, 2023. p. 1, from [https://www.uline.com/BL\\_3922/Vertical-File-Cabinets](https://www.uline.com/BL_3922/Vertical-File-Cabinets) (Year: 2023).\*

*Primary Examiner* — Mimosa De

(74) *Attorney, Agent, or Firm* — Chun-Ming Shih; Lanway IPR Services

(57) **CLAIM**

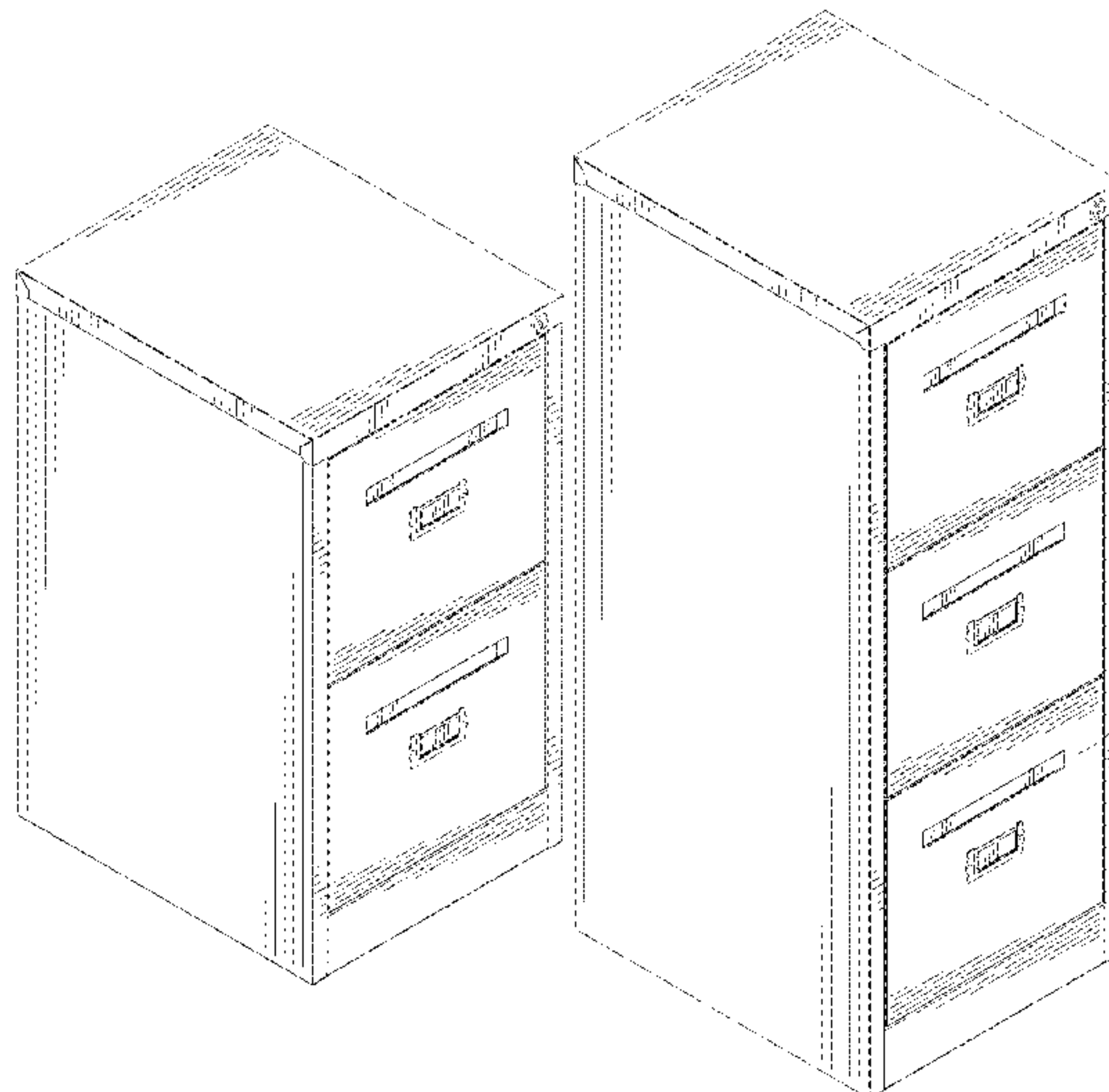
The ornamental design for a cabinets, as shown and described.

**DESCRIPTION**

FIG. 1 is a first perspective view of a cabinet according to a first embodiment showing the new design; FIG. 2 is a second perspective view thereof; FIG. 3 is a third perspective view thereof; FIG. 4 is a front view thereof; FIG. 5 is a rear view thereof; FIG. 6 is a left side view thereof; FIG. 7 is a right side view thereof; FIG. 8 is a top view thereof; and FIG. 9 is a bottom view thereof; FIG. 10 is a first perspective view of a cabinet according to a second embodiment showing the new design; FIG. 11 is a second perspective view thereof; FIG. 12 is a third perspective view thereof; FIG. 13 is a front view thereof; FIG. 14 is a rear view thereof; FIG. 15 is a left side view thereof; FIG. 16 is a right side view thereof; FIG. 17 is a top view thereof; and FIG. 18 is a bottom view thereof; FIG. 19 is a first perspective view of a cabinet according to a third embodiment showing the new design; FIG. 20 is a second perspective view thereof; FIG. 21 is a third perspective view thereof; FIG. 22 is a front view thereof; FIG. 23 is a rear view thereof; FIG. 24 is a left side view thereof; FIG. 25 is a right side view thereof; FIG. 26 is a top view thereof; and FIG. 27 is a bottom view thereof.

The broken lines shown in the drawings are for the purpose of illustrating environmental structure and form no part of the claimed design.

**1 Claim, 27 Drawing Sheets**



(58) **Field of Classification Search**

CPC ..... A47B 47/05; A47B 61/00; A47B 87/00;  
E05B 65/462

See application file for complete search history.

(56) **References Cited**

U.S. PATENT DOCUMENTS

5,931,551 A \* 8/1999 Wang ..... A47B 61/00  
312/258  
D506,088 S \* 6/2005 Moon ..... D6/671.1  
D508,348 S \* 8/2005 Moon ..... D6/671.1  
D555,394 S \* 11/2007 Sexton ..... D6/671.1  
D613,973 S 4/2010 Holcomb  
D632,506 S 2/2011 Pere  
D634,945 S 3/2011 Pere  
D642,400 S 8/2011 Koehn  
D644,037 S 8/2011 Koehn  
D646,080 S 10/2011 Clegg et al.  
D668,078 S 10/2012 Daino et al.  
D670,510 S 11/2012 Daino et al.  
D704,966 S 5/2014 Korb  
D809,739 S \* 2/2018 Spears ..... D99/28  
D810,389 S \* 2/2018 Spears ..... D99/28  
D811,039 S \* 2/2018 Spears ..... D99/28  
D864,623 S 10/2019 Vandenharm et al.  
D904,081 S 12/2020 Hermann et al.  
D970,267 S \* 11/2022 Li ..... D6/671  
D972,867 S \* 12/2022 Li ..... D6/671  
D973,997 S \* 12/2022 Xiao ..... D99/29  
D974,084 S \* 1/2023 Li ..... D6/663  
D974,697 S \* 1/2023 Xiao ..... D99/29

\* cited by examiner

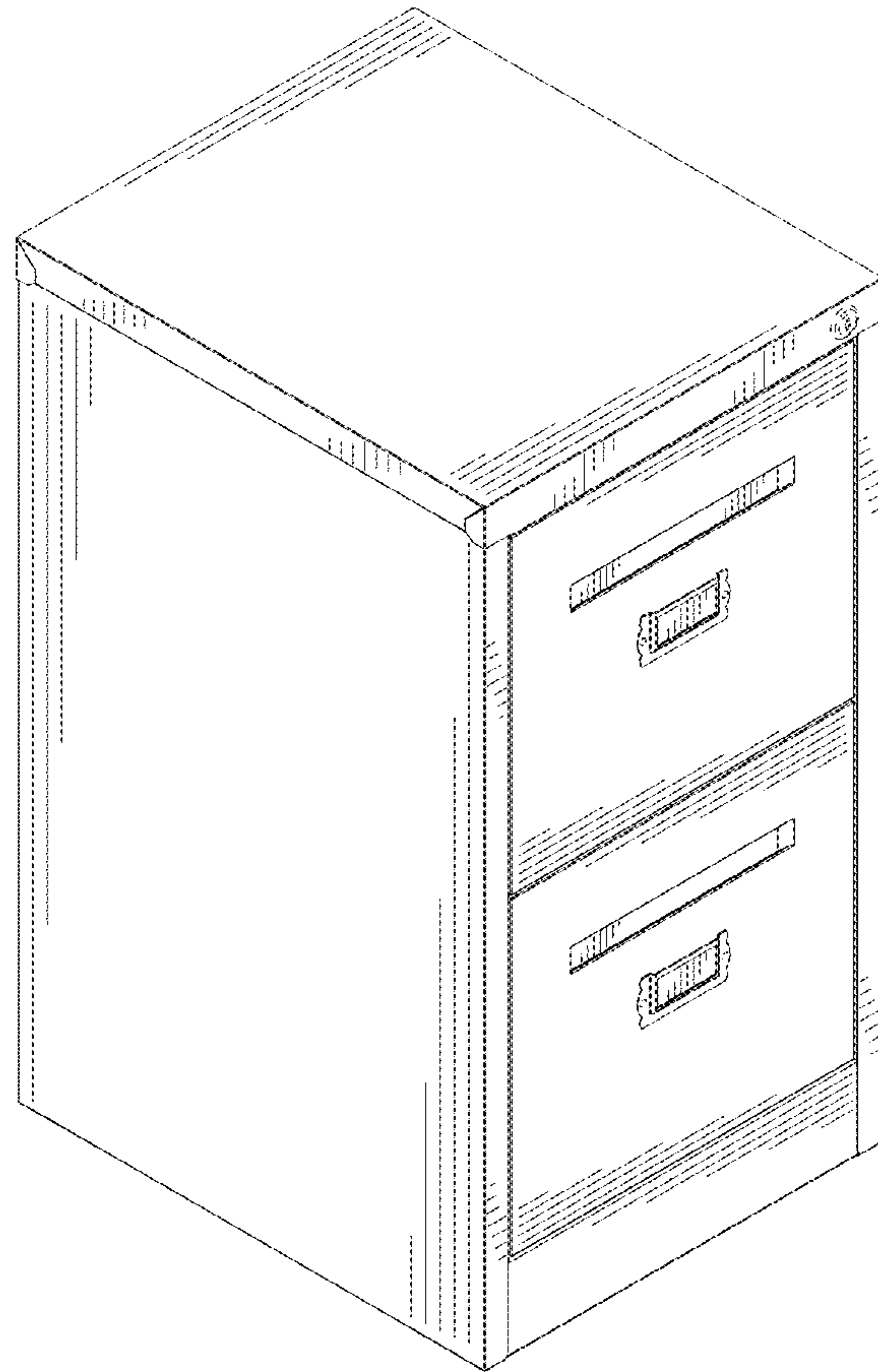


FIG.1

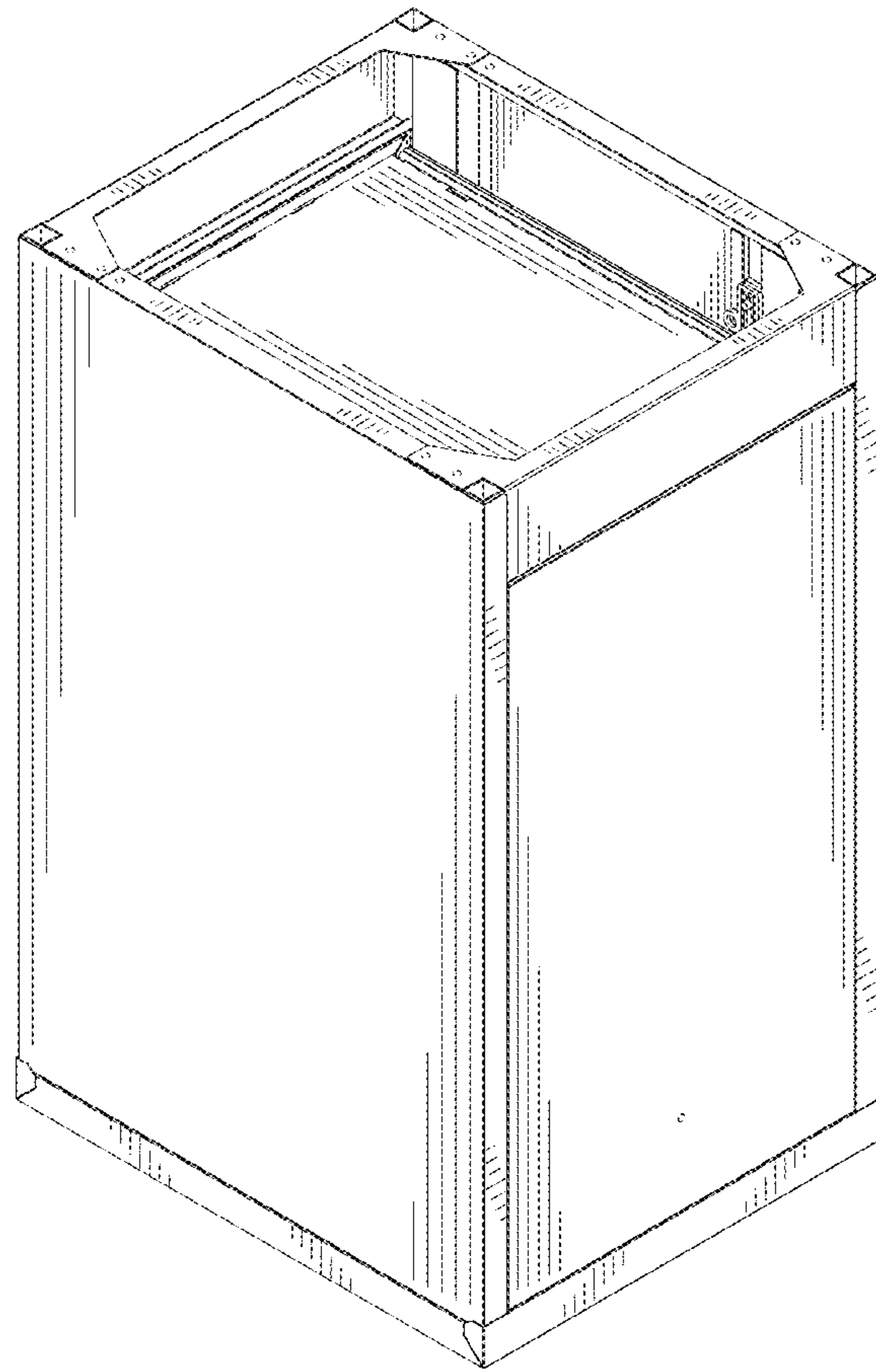


FIG.2

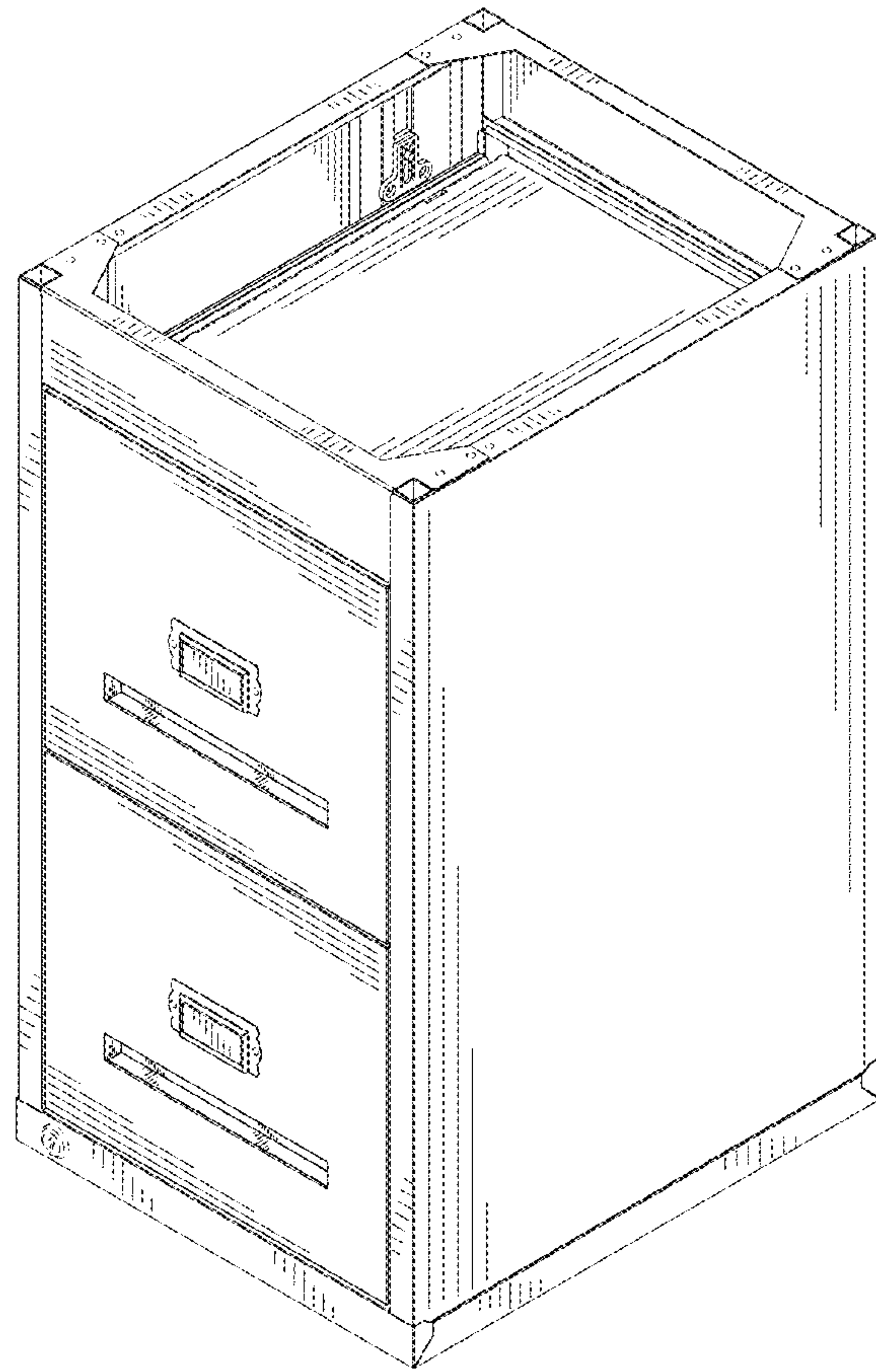


FIG.3



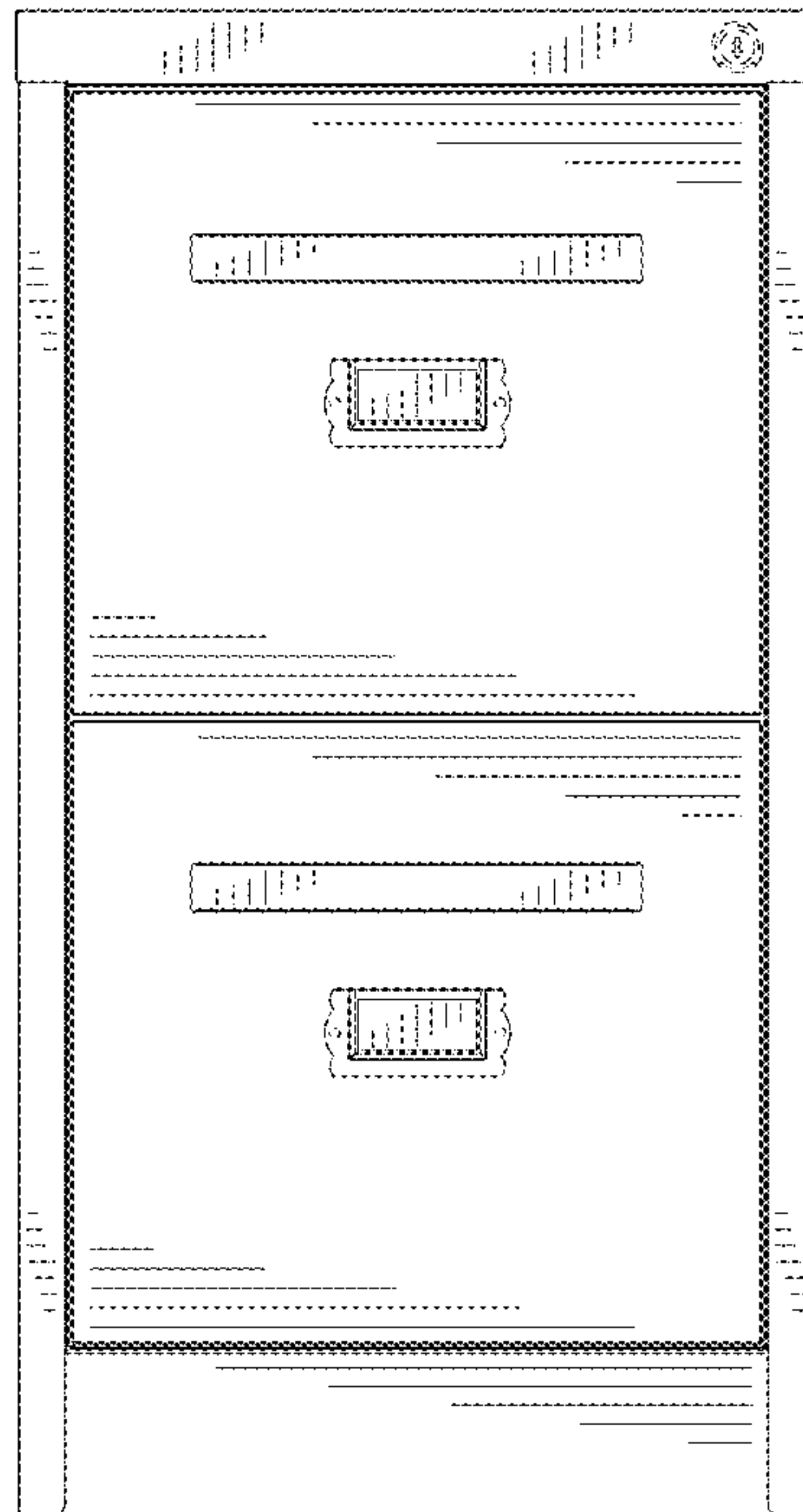


FIG.4

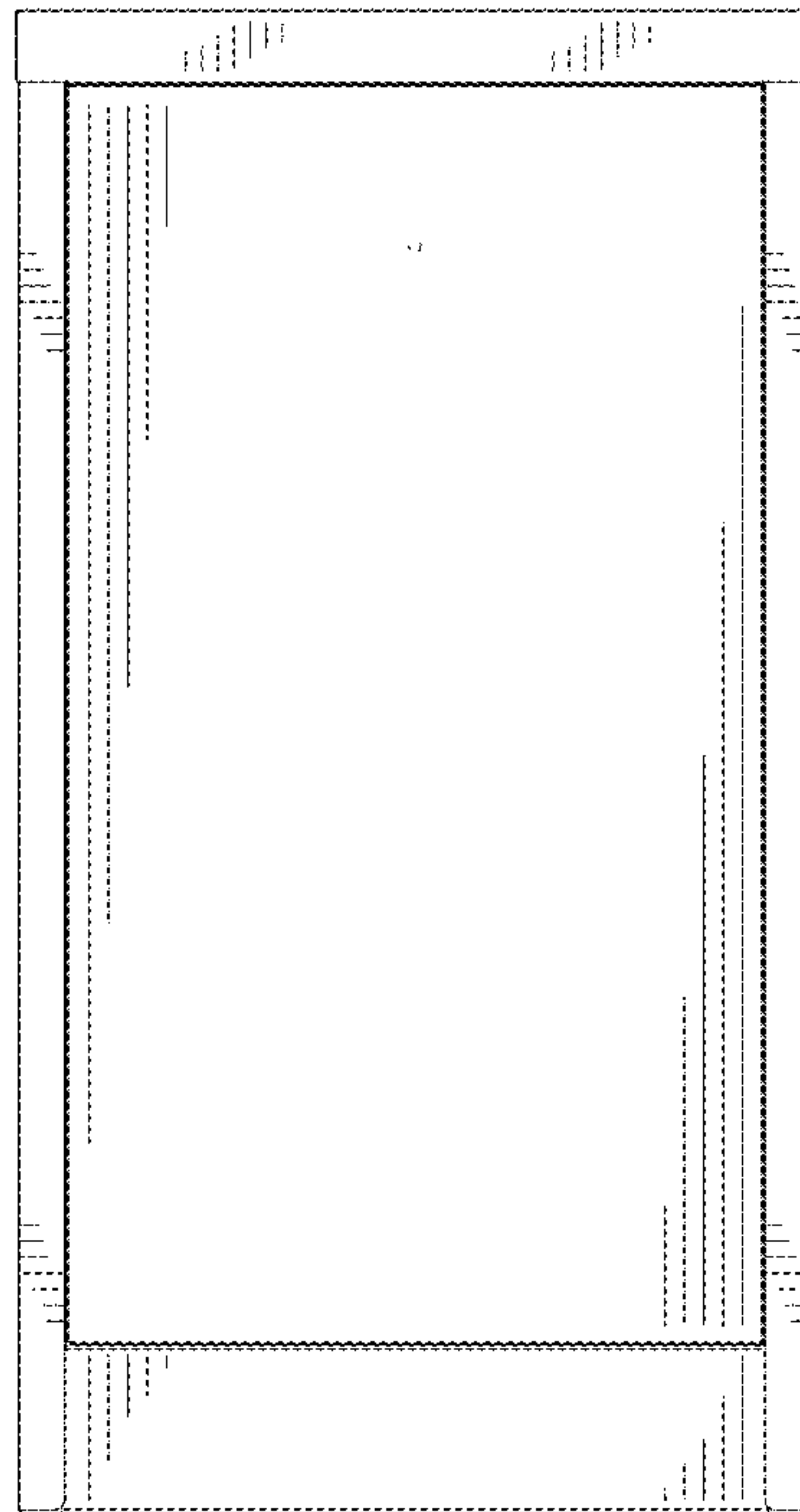


FIG.5

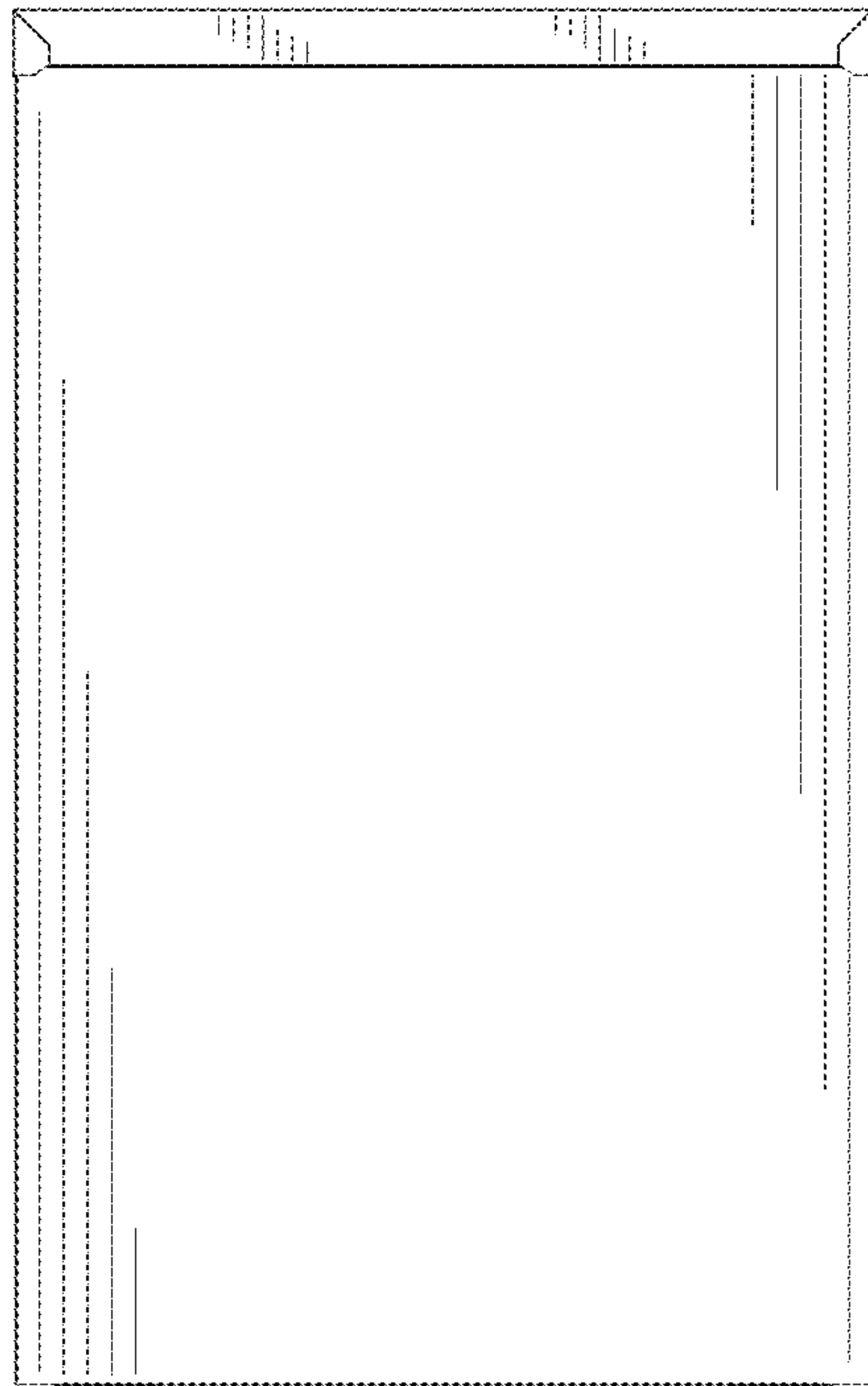


FIG.6



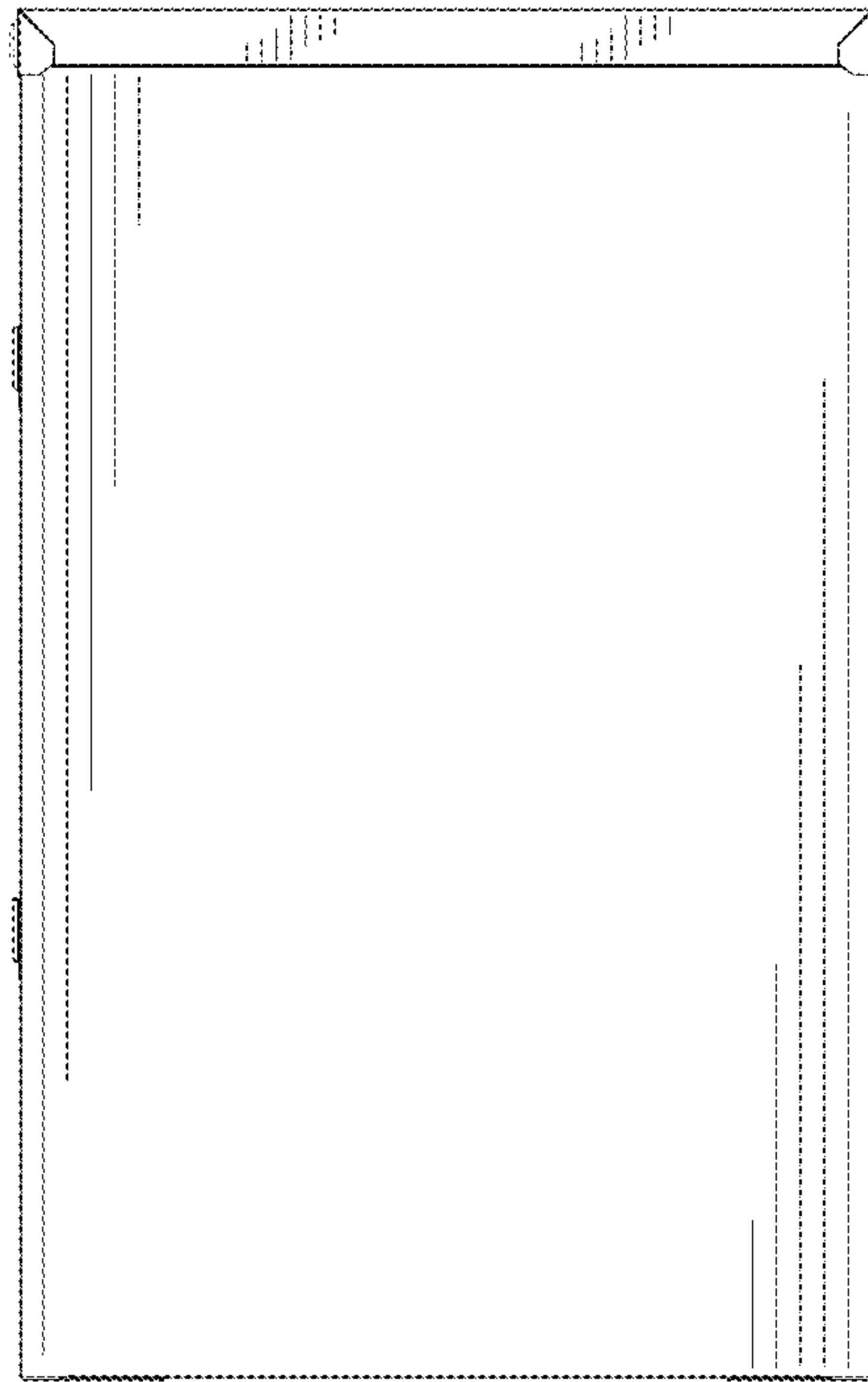


FIG.7

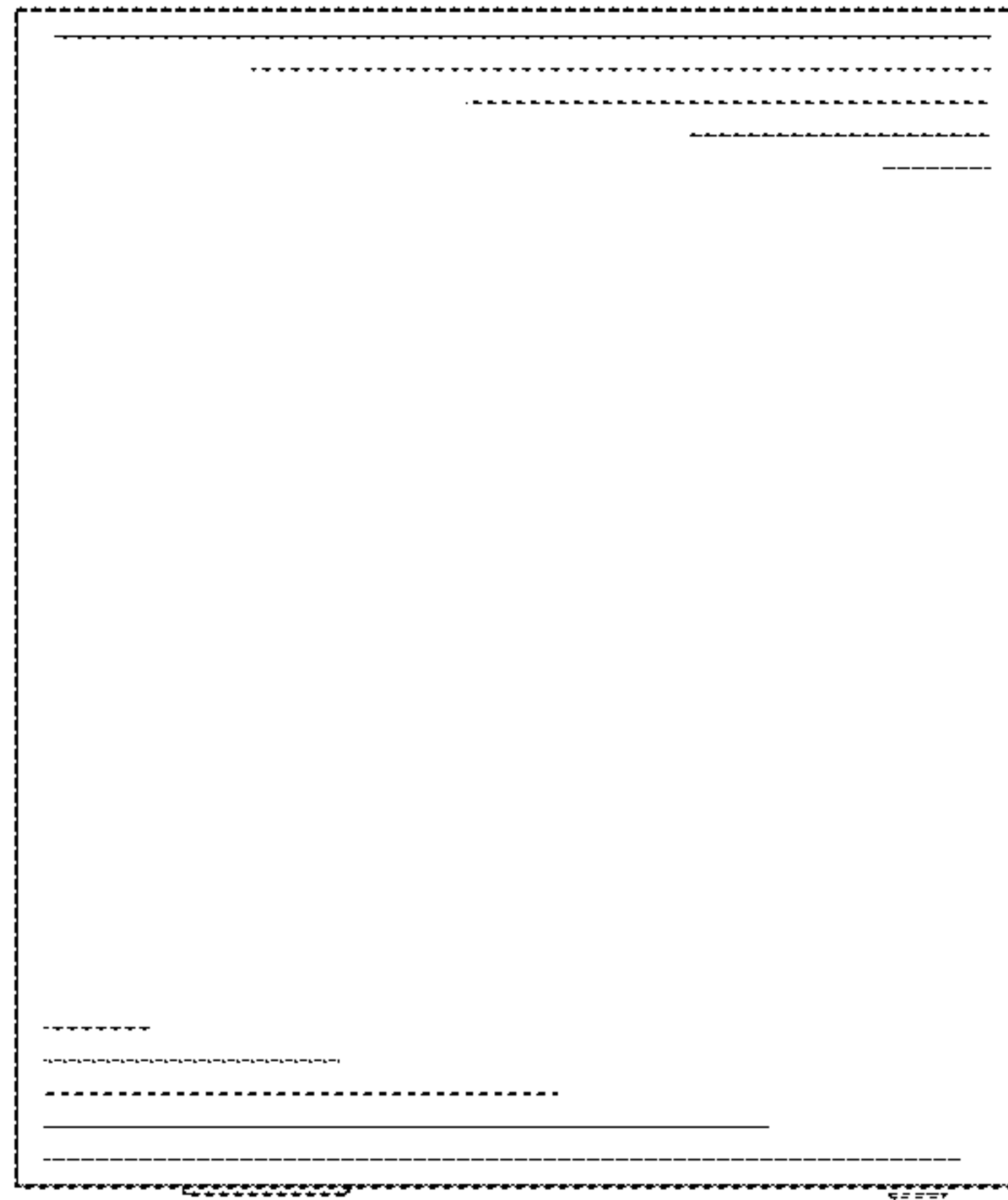


FIG.8

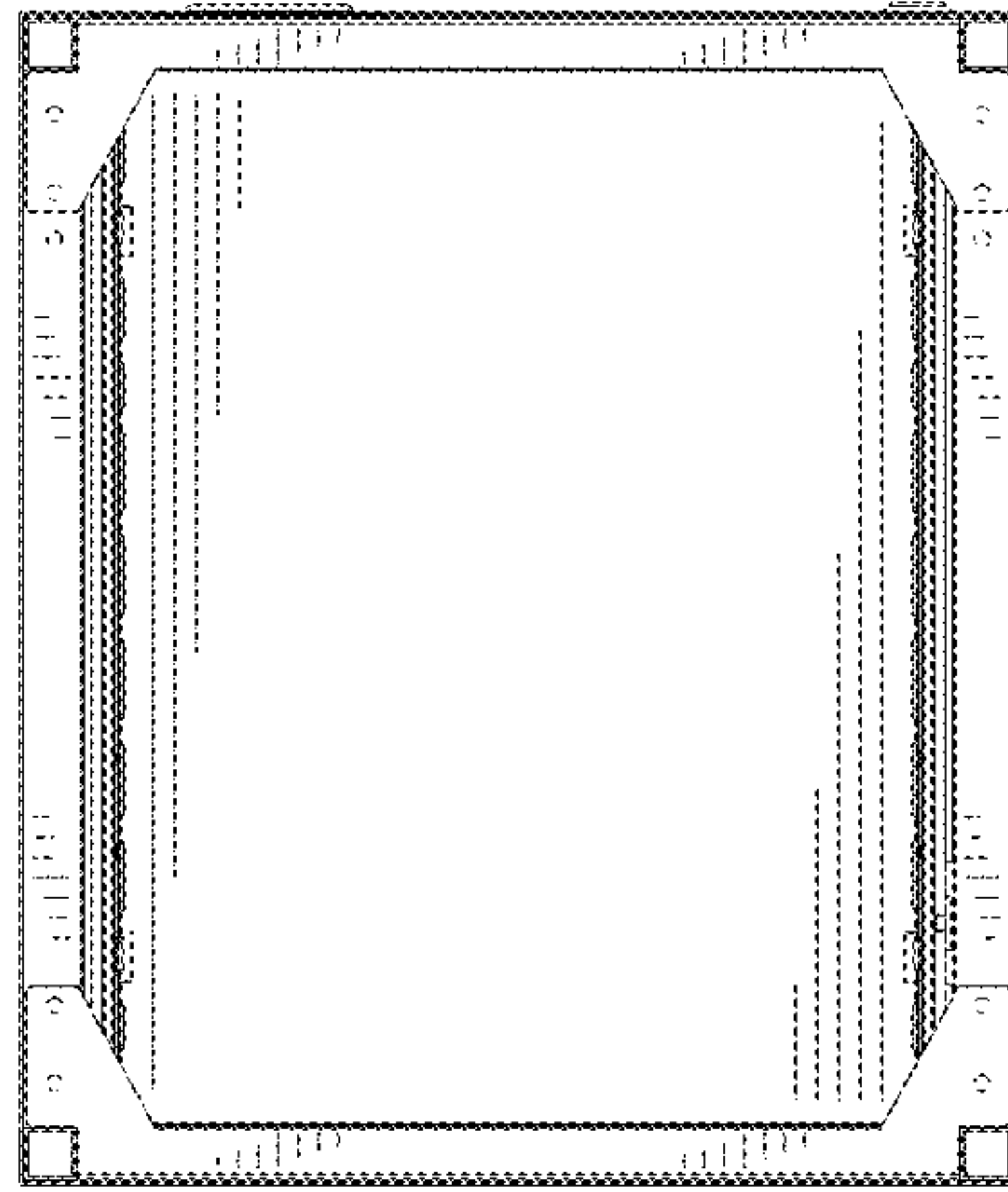


FIG.9

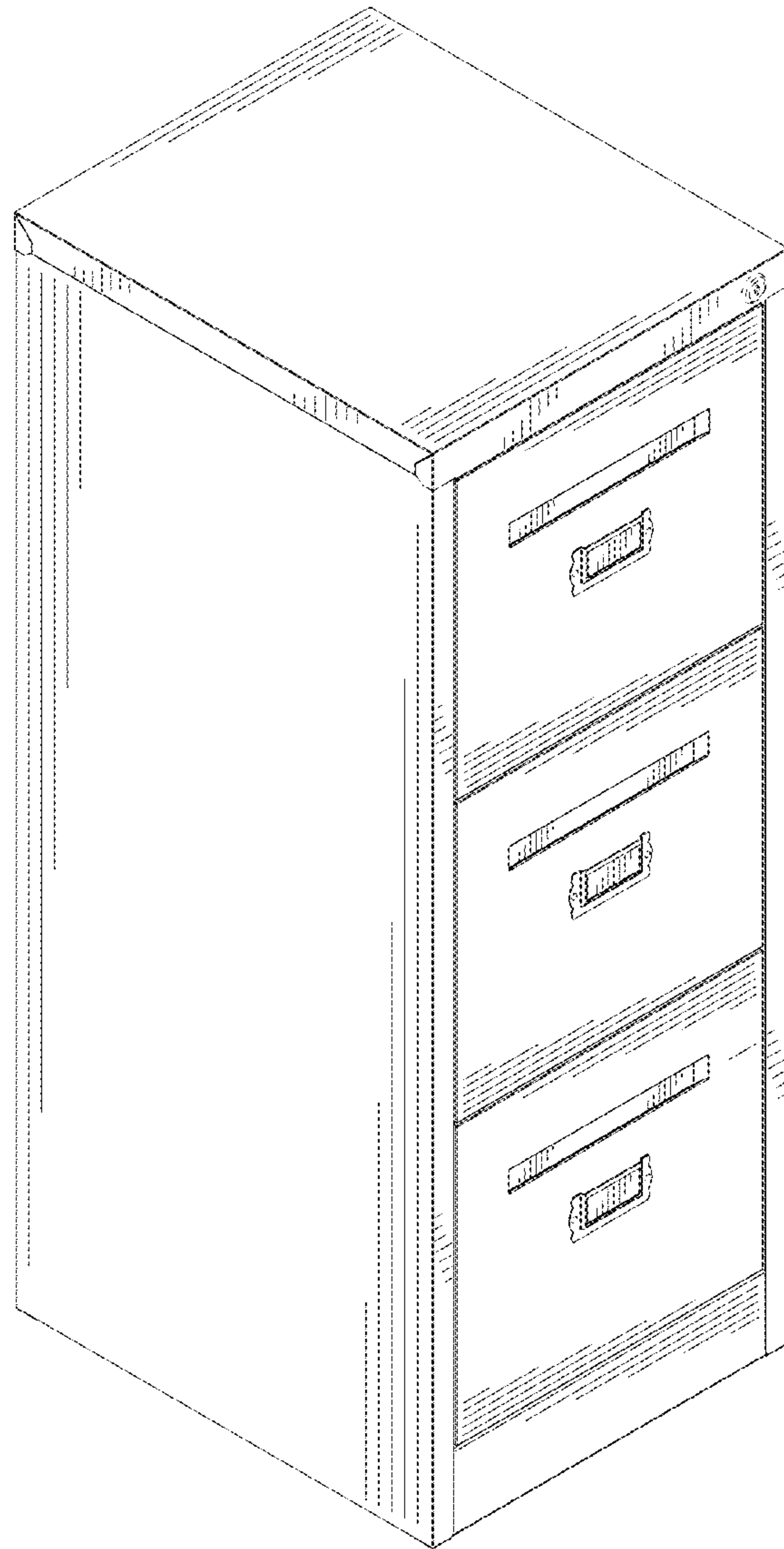


FIG.10

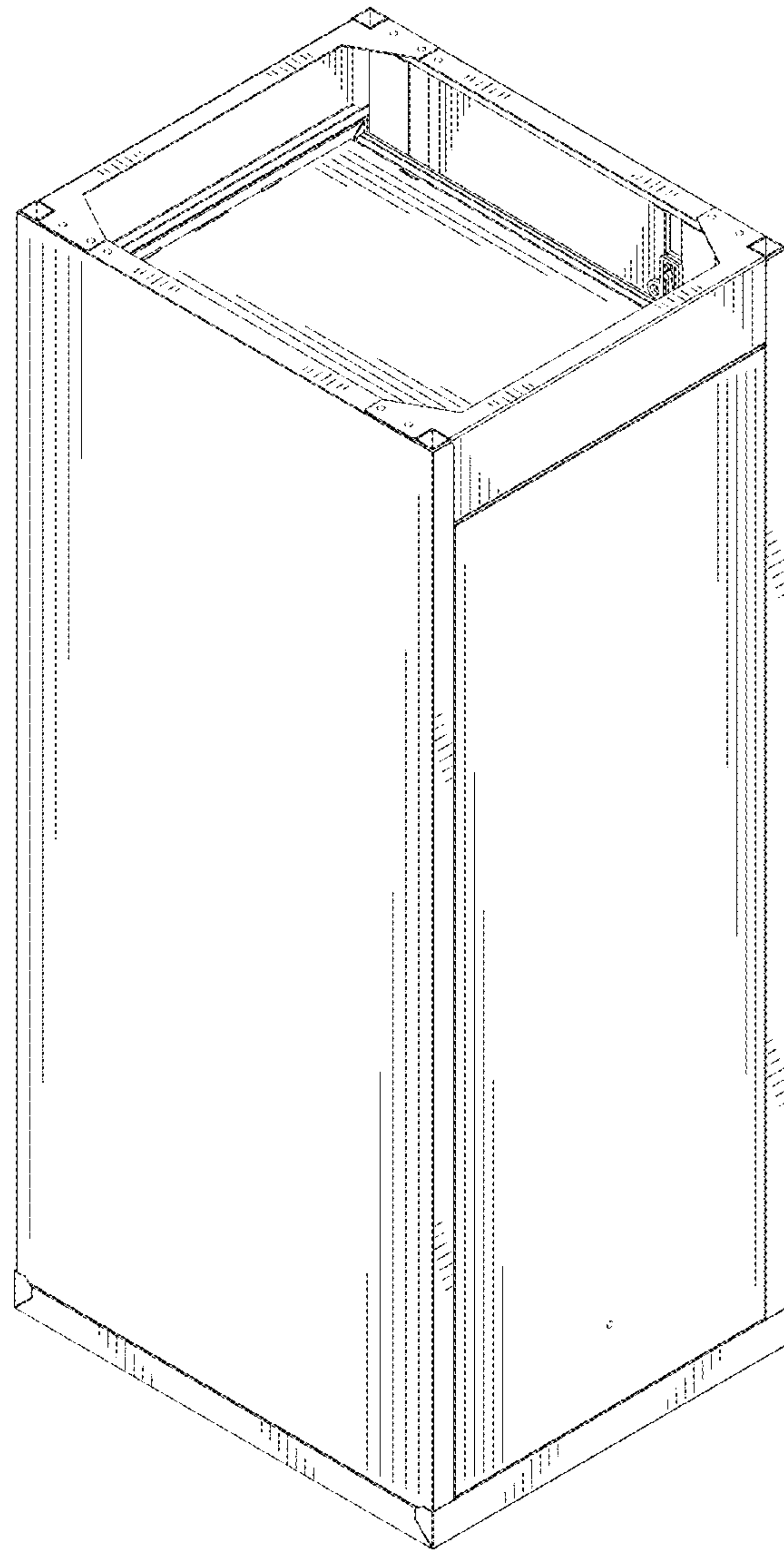


FIG.11

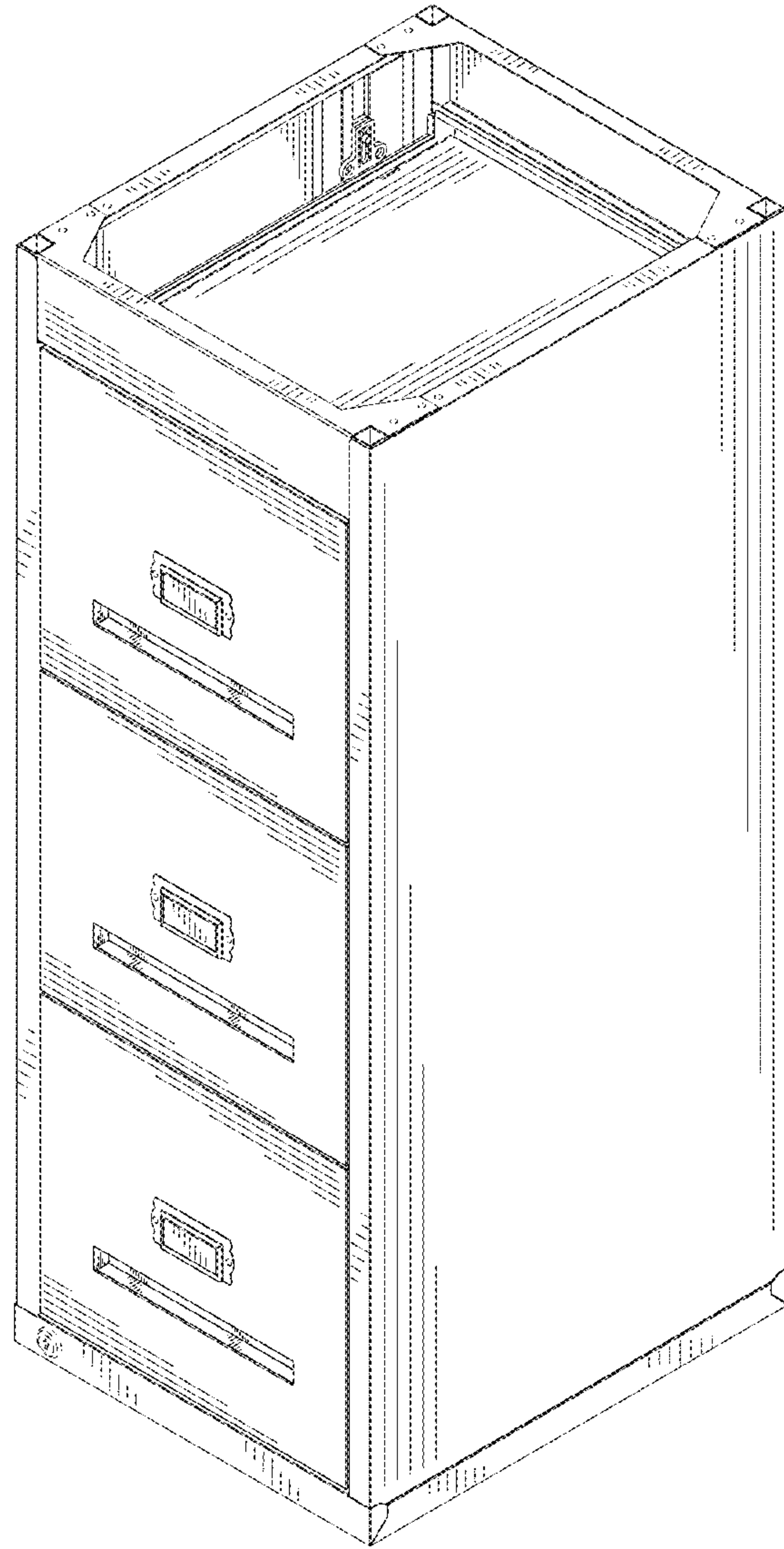


FIG.12



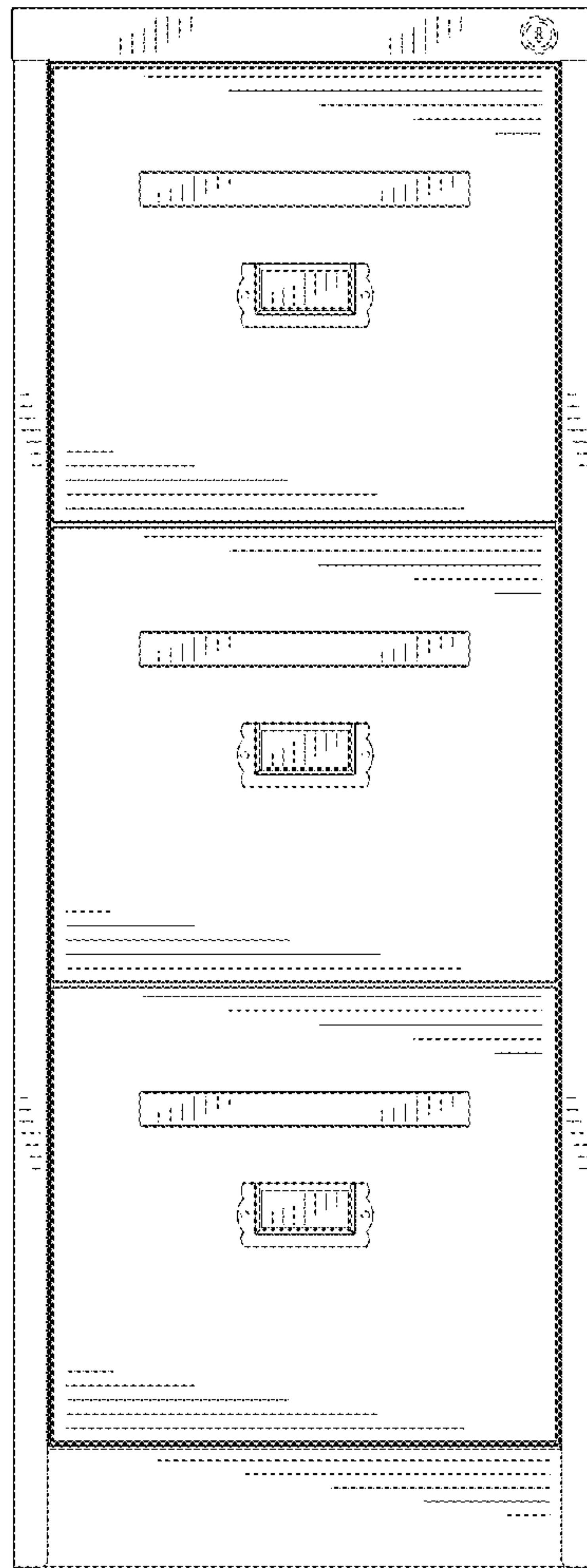


FIG. 13

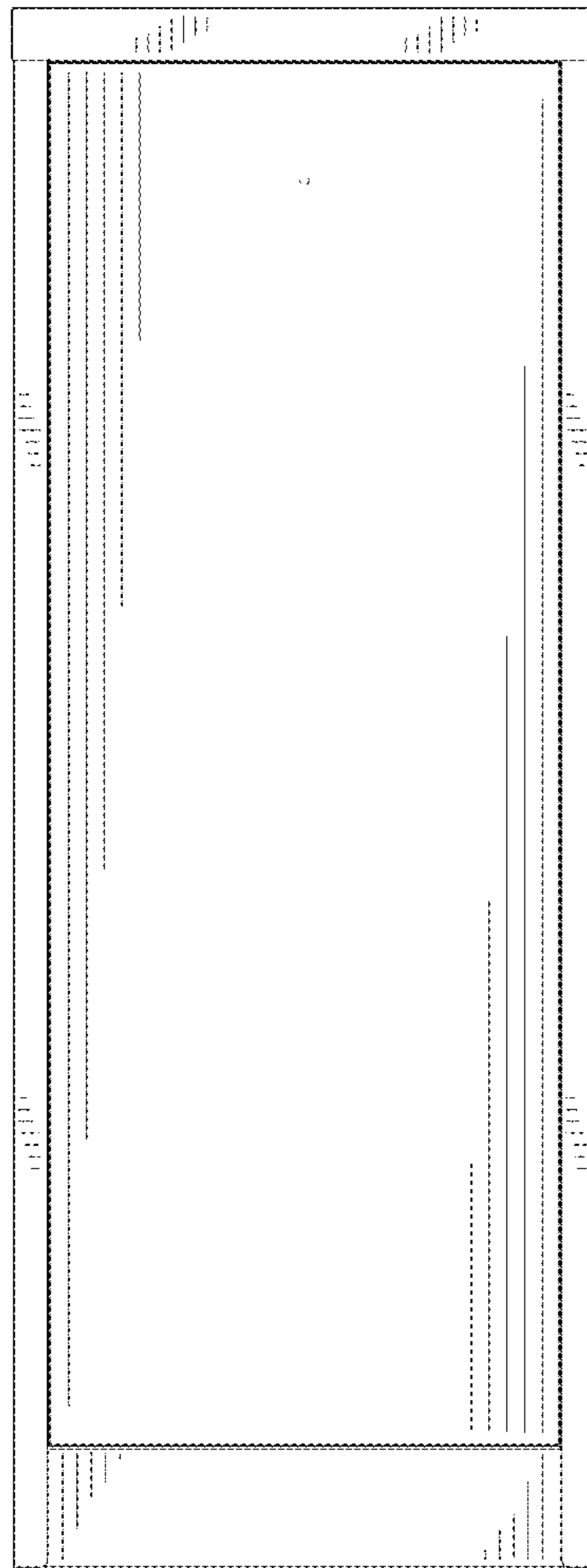


FIG.14

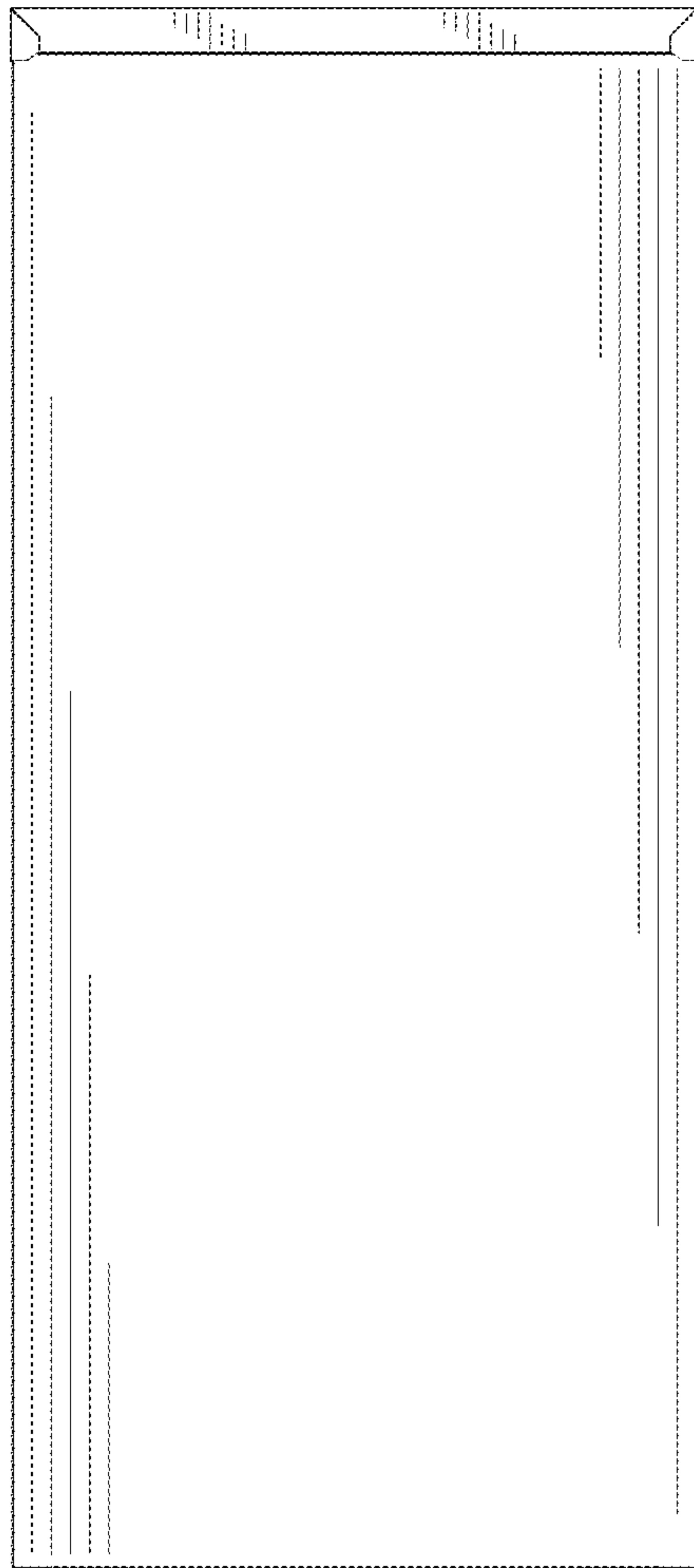


FIG.15

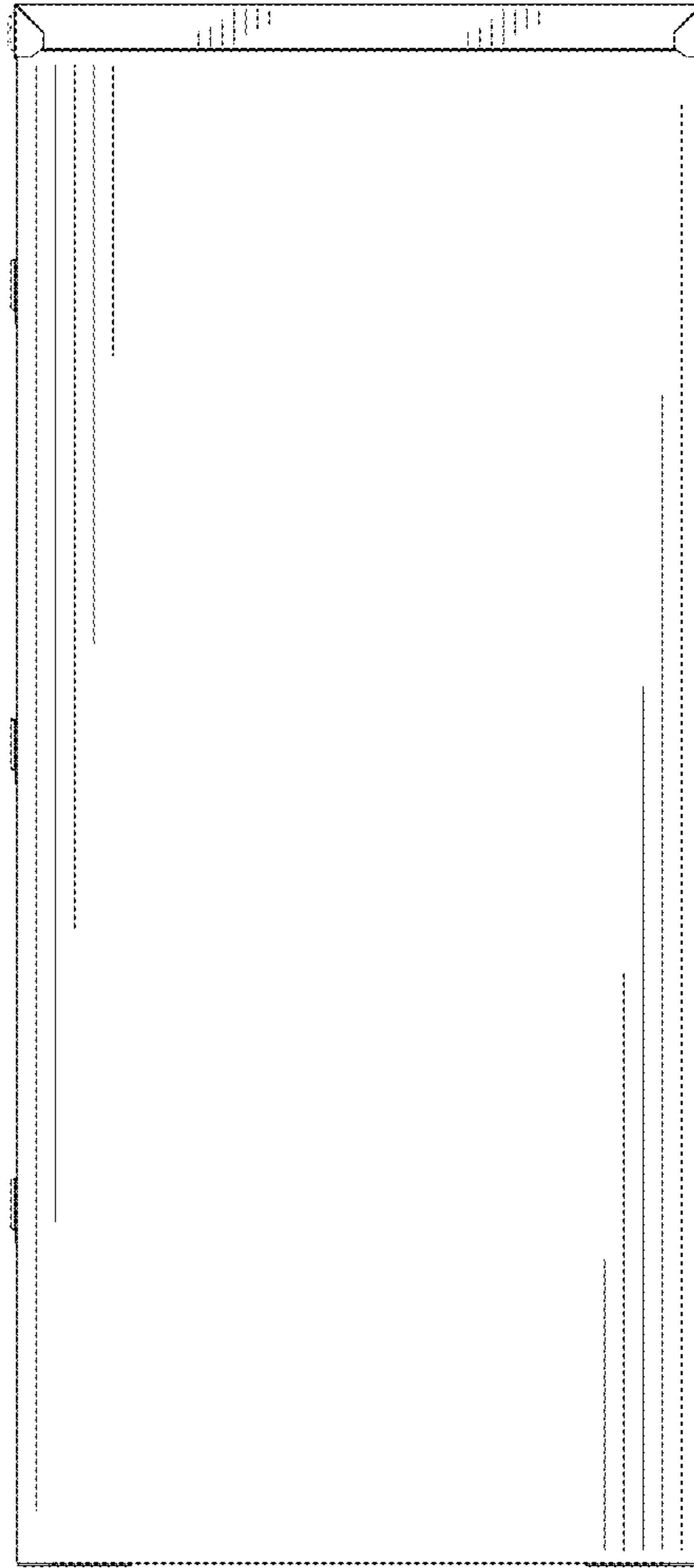


FIG.16

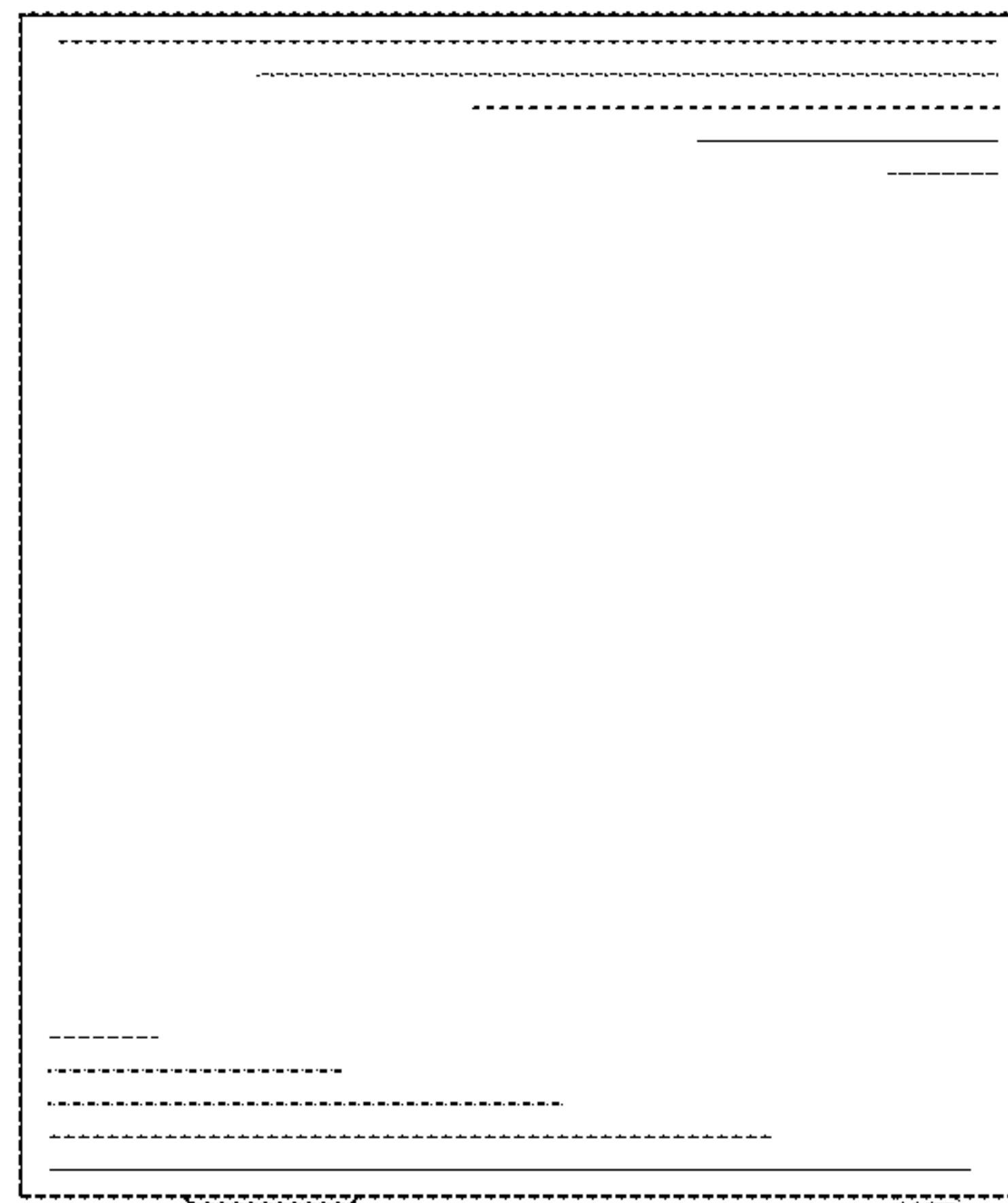


FIG.17

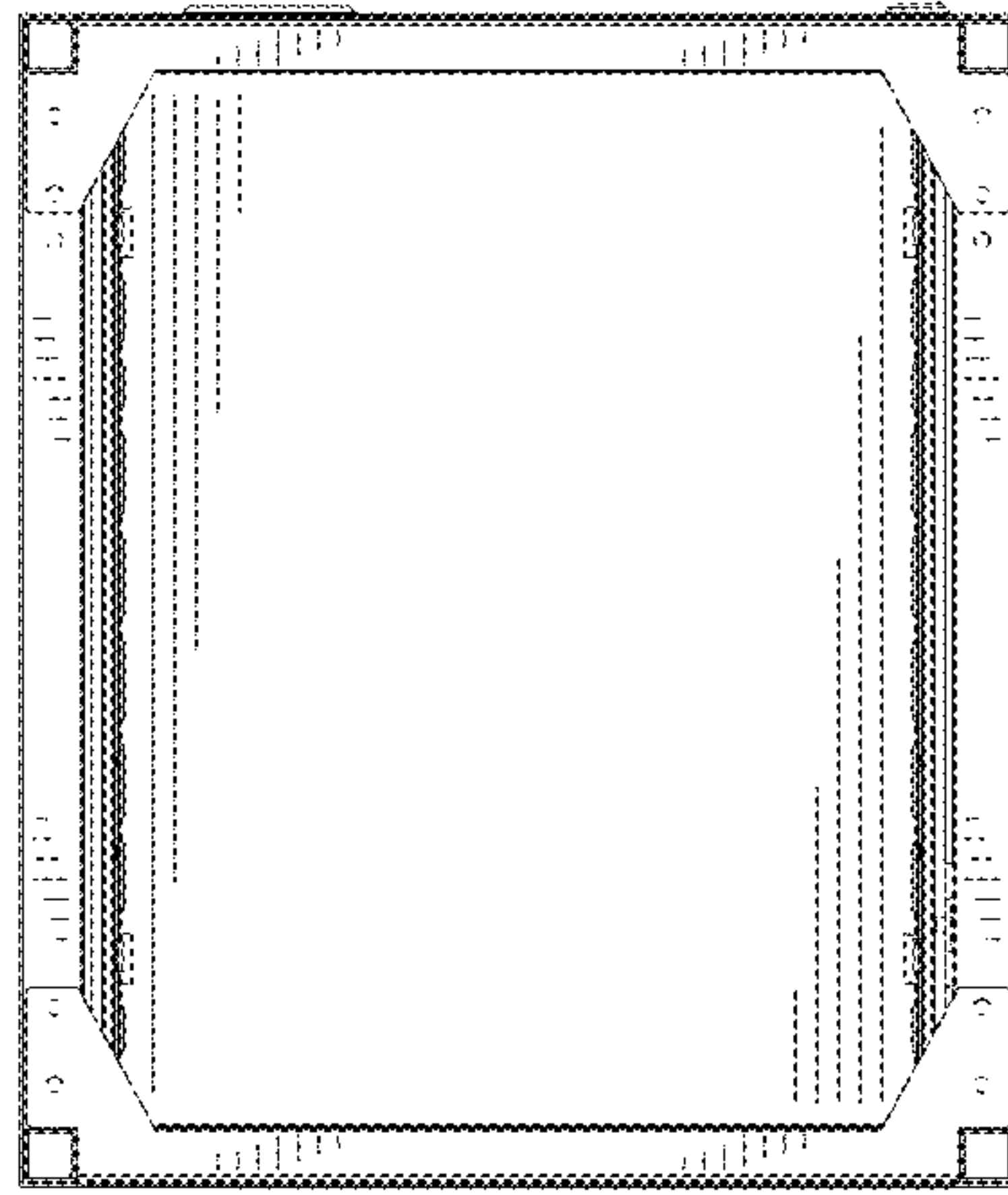


FIG.18



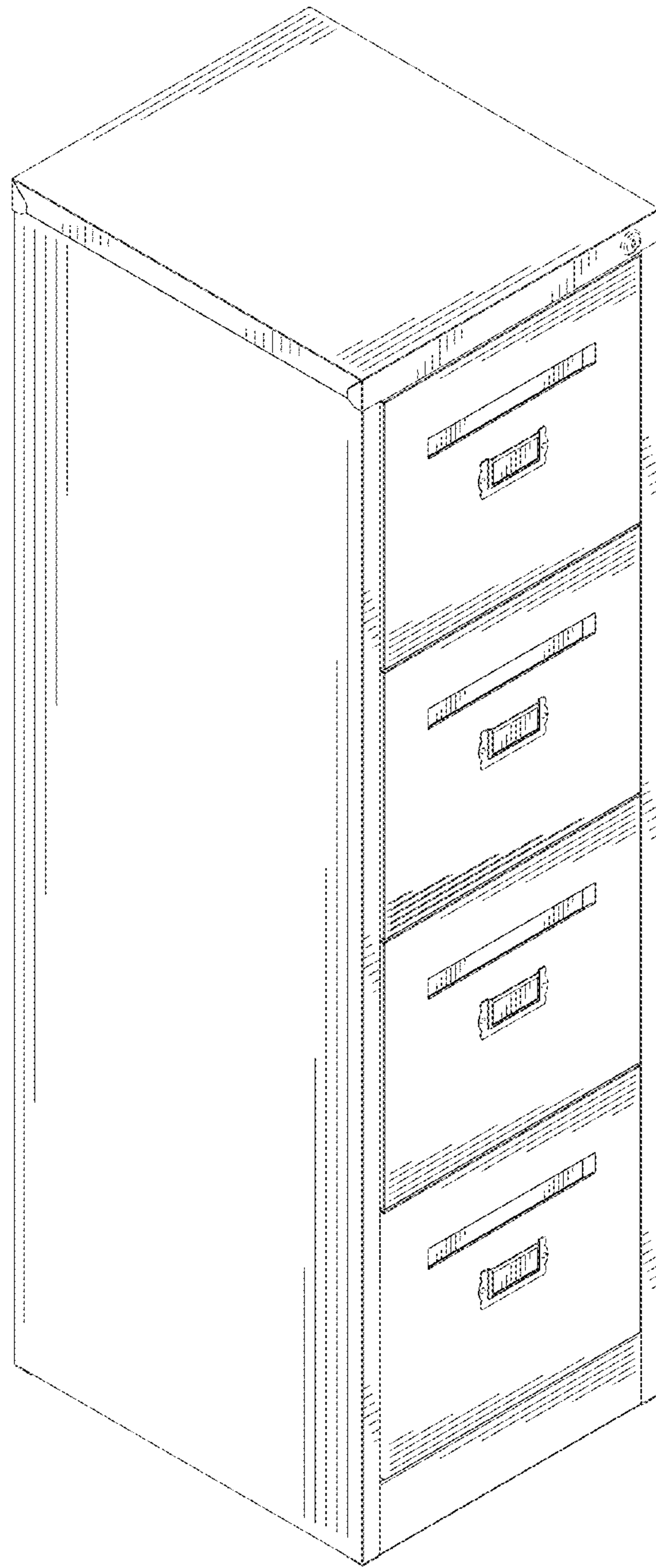


FIG. 19

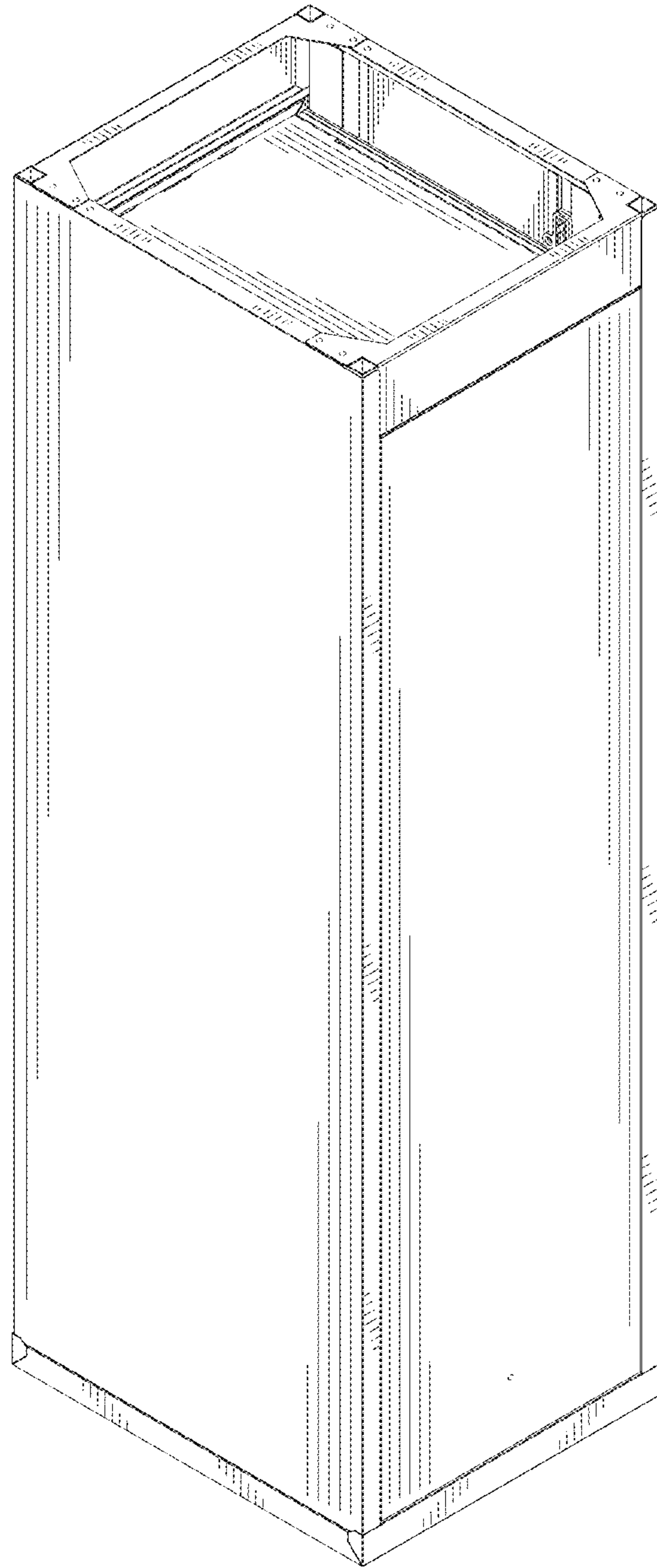


FIG.20

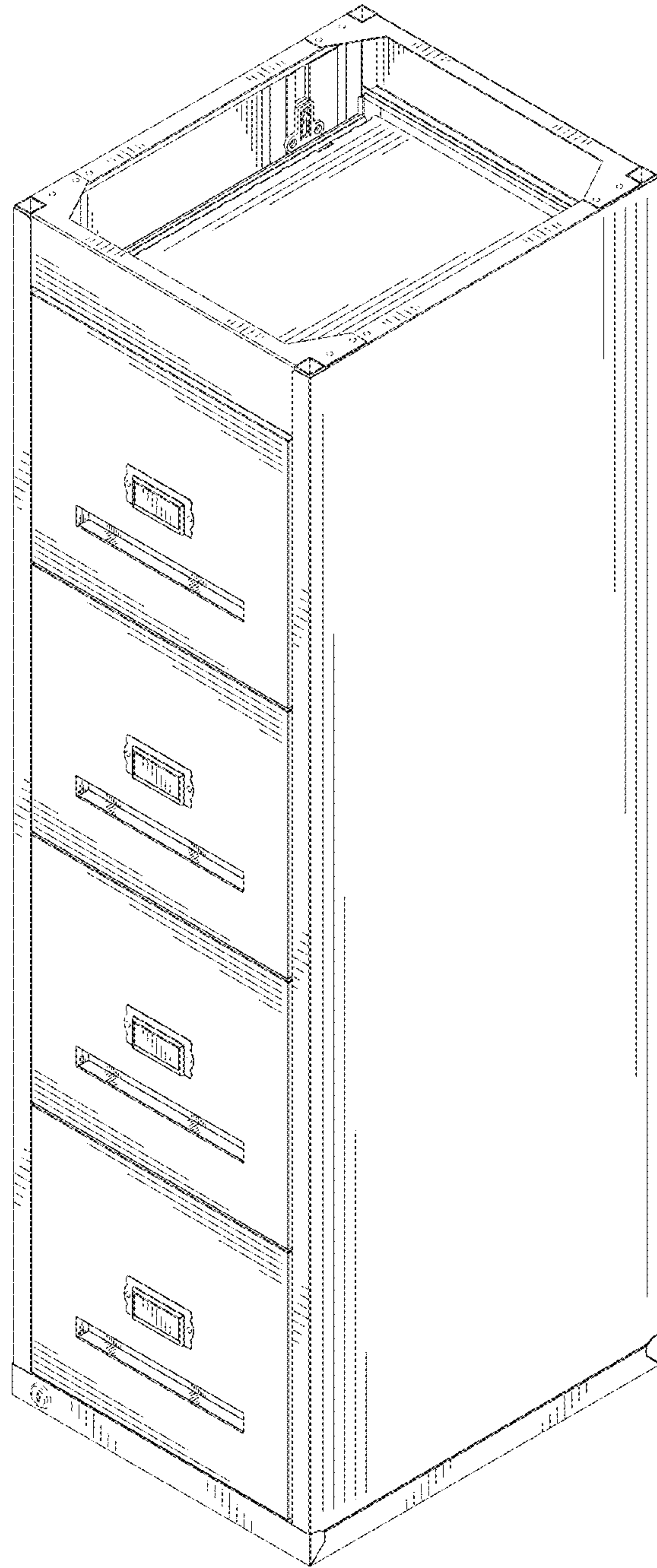


FIG.21

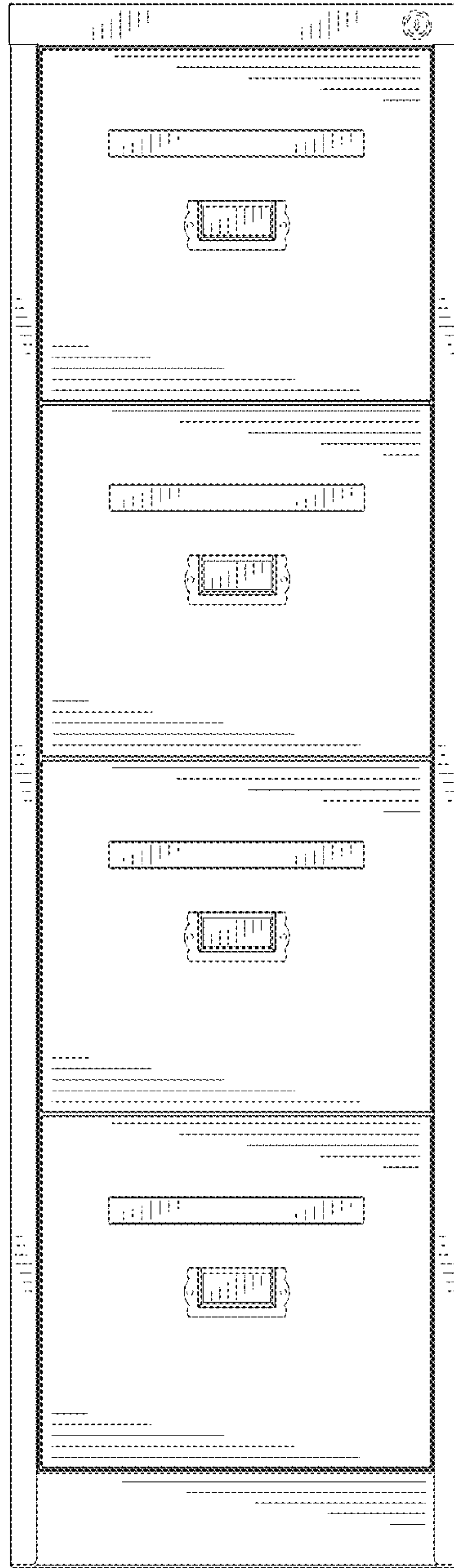


FIG.22

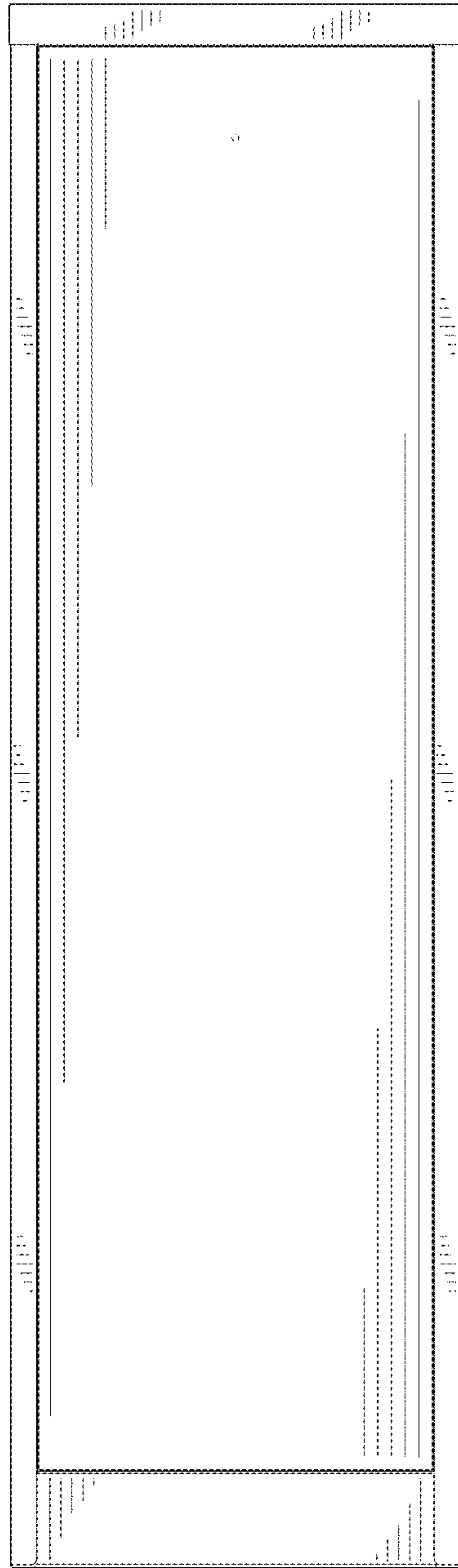


FIG.23

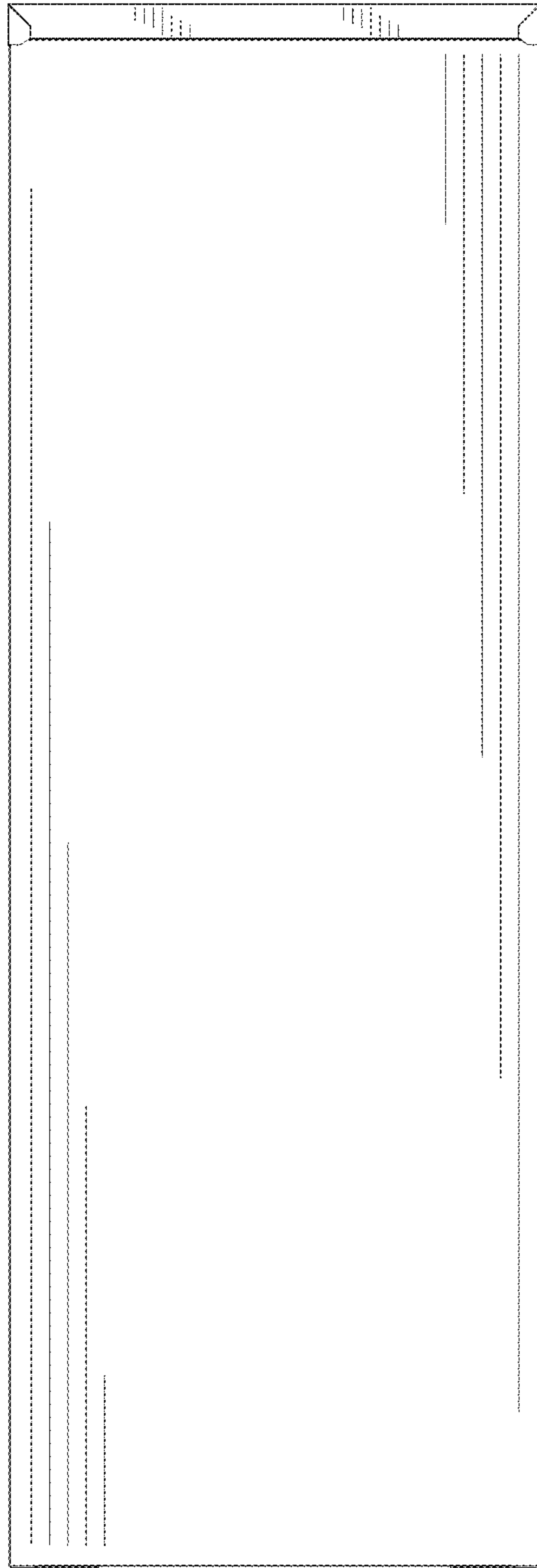


FIG.24



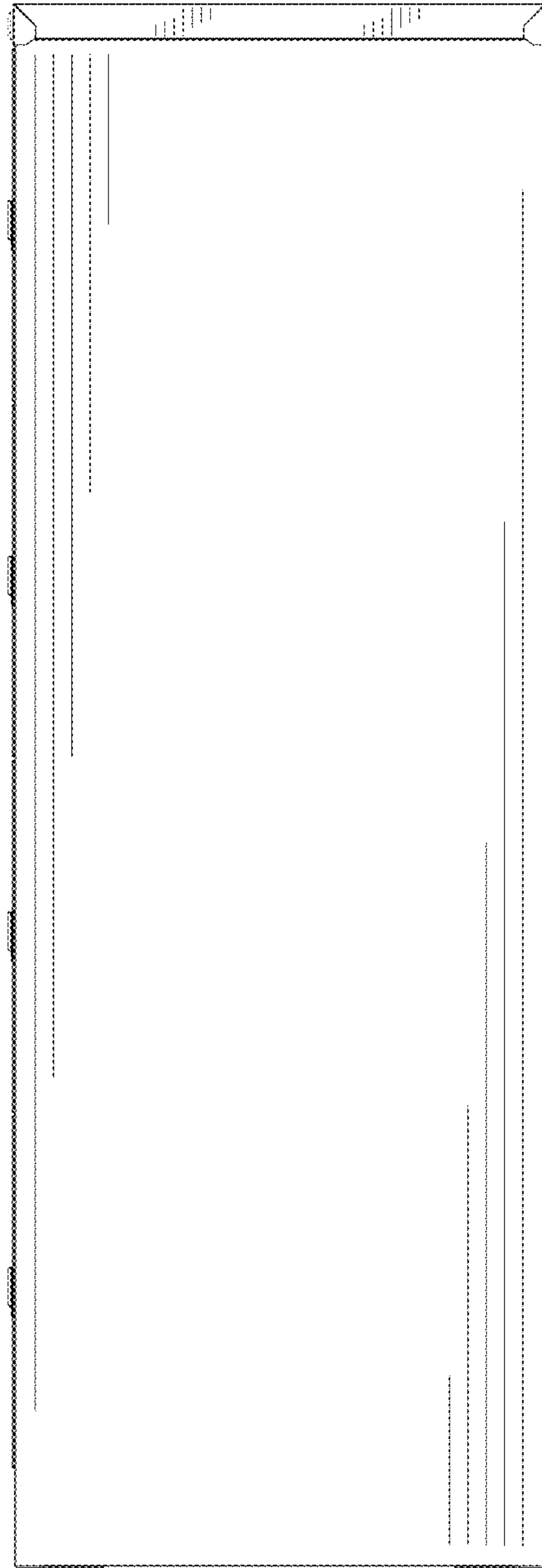


FIG.25

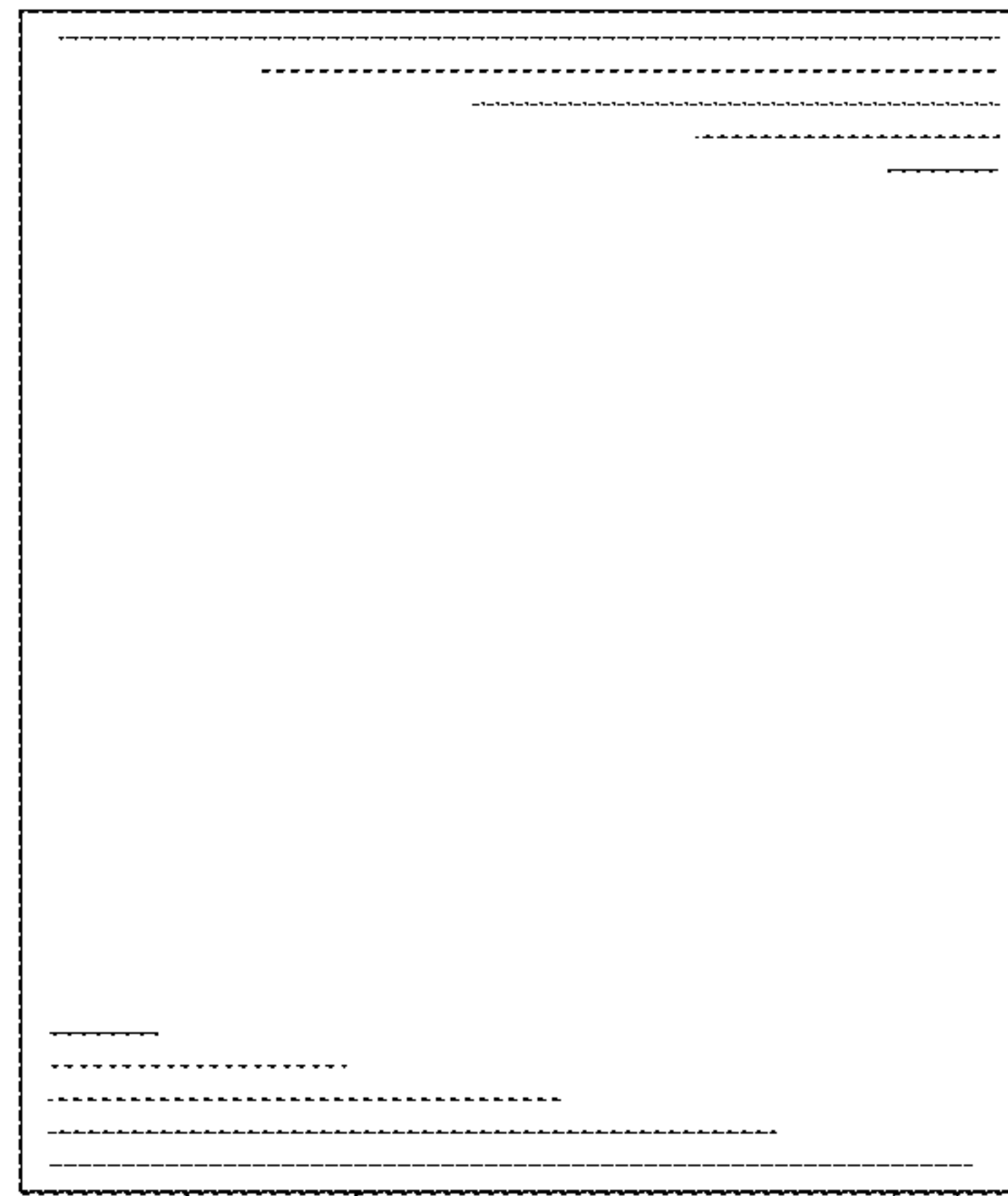


FIG.26

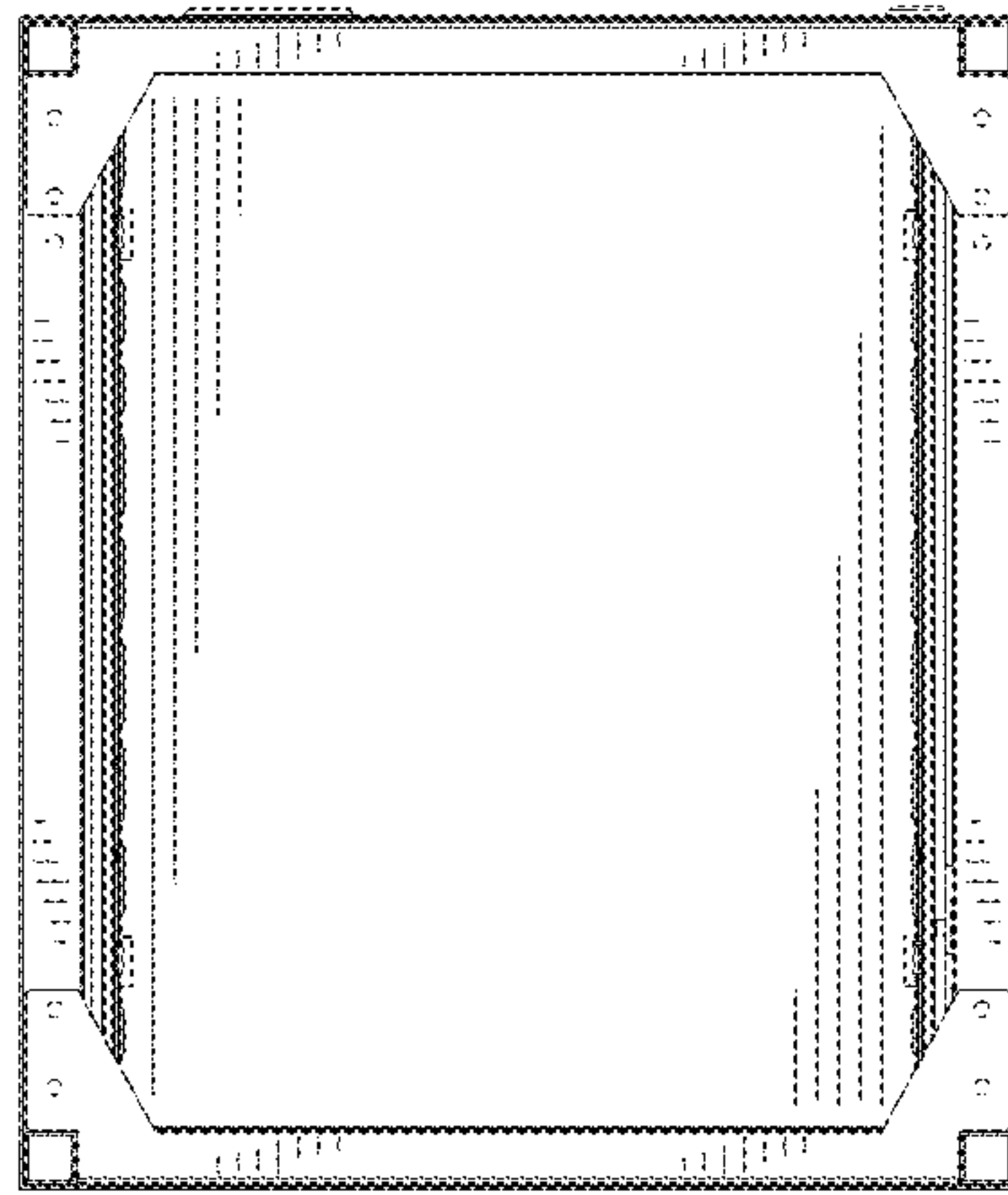


FIG.27