



US00D982943S

(12) **United States Design Patent**
Li

(10) **Patent No.:** **US D982,943 S**
(45) **Date of Patent:** **** Apr. 11, 2023**

(54) **STORAGE CABINET**

(71) Applicant: **Jing Li**, Henan (CN)

(72) Inventor: **Jing Li**, Henan (CN)

(**) Term: **15 Years**

(21) Appl. No.: **29/881,765**

(22) Filed: **Jan. 6, 2023**

(51) **LOC (14) Cl.** **06-04**

(52) **U.S. Cl.**
USPC **D6/671; D6/671.1**

(58) **Field of Classification Search**
USPC D6/663, 664, 664.1, 671, 671.1, 671.2,
D6/671.3, 671.4
CPC A47B 17/04; A47B 45/00; A47B 47/04;
A47B 47/03; A47B 67/00; A47B 67/04;
A47B 47/00; A47B 47/042; A47B 55/00;
A47B 61/00; A47B 67/02; A47F 30/439
See application file for complete search history.

(56) **References Cited**

U.S. PATENT DOCUMENTS

D802,249 S 11/2017 Spears et al.
D864,622 S 10/2019 Lim et al.

D910,345 S * 2/2021 Li D6/671.1
D912,442 S * 3/2021 Li D6/671.1
D942,782 S * 2/2022 Li D6/671.1
D968,134 S * 11/2022 Li D6/671.1
2006/0108899 A1* 5/2006 Jin A47B 47/042
312/107

* cited by examiner

Primary Examiner — Mimosa De

(74) *Attorney, Agent, or Firm* — Che-Yang Chen; Law
Office of Michael Chen

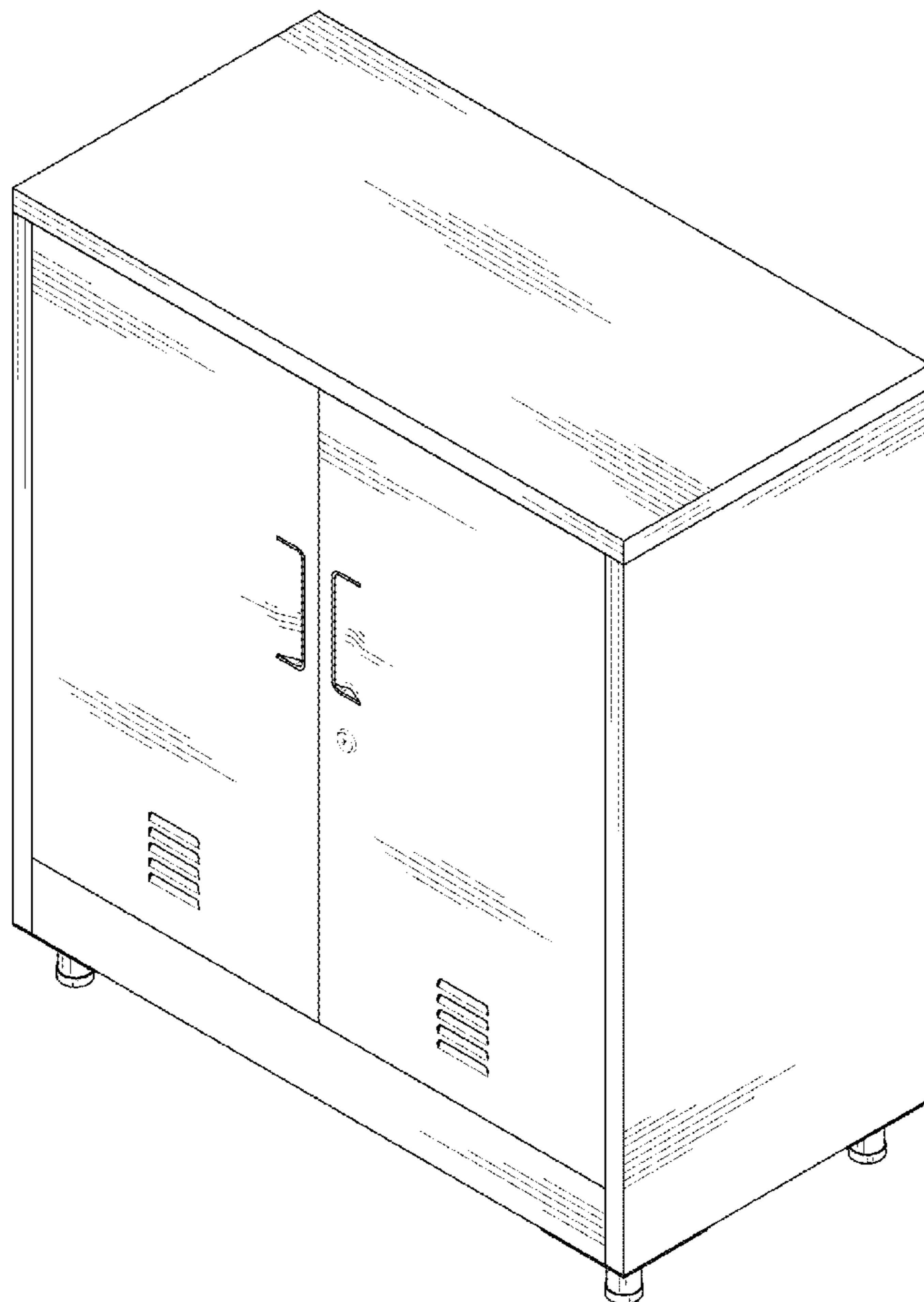
(57) **CLAIM**

The ornamental design for a storage cabinet, as shown and
described.

DESCRIPTION

FIG. 1 is a perspective view of the storage cabinet showing
my new design;
FIG. 2 is a front elevational view thereof;
FIG. 3 is a rear elevational view thereof;
FIG. 4 is a left side elevational view thereof;
FIG. 5 is a right side elevational view thereof;
FIG. 6 is a top plan view thereof;
FIG. 7 is a bottom plan view thereof;
FIG. 8 is a bottom perspective view thereof;
FIG. 9 is a partial enlarged view of portion 9 in FIG. 8; and,
FIG. 10 is a partial enlarged view of portion 10 in FIG. 8.

1 Claim, 10 Drawing Sheets



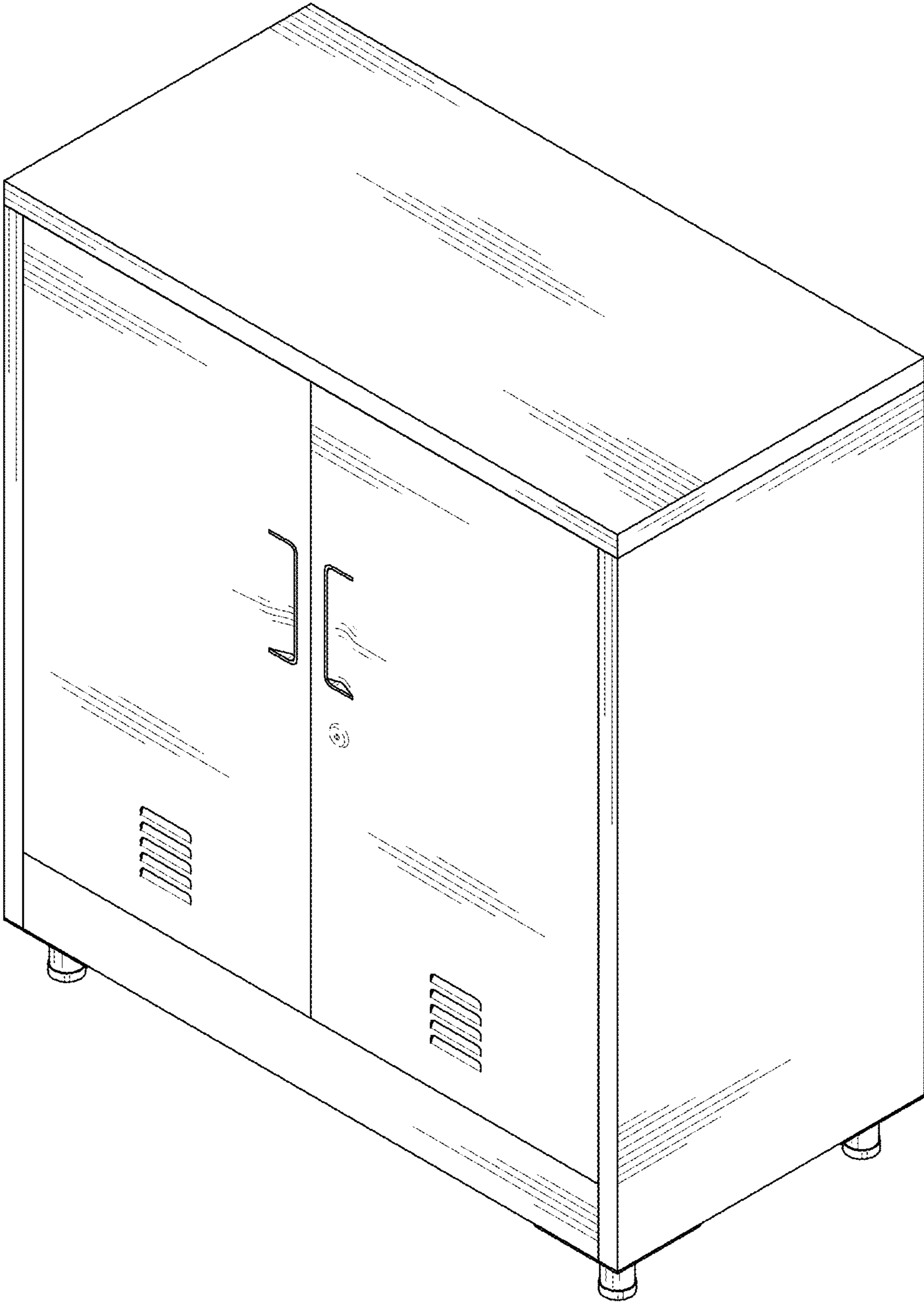


FIG. 1

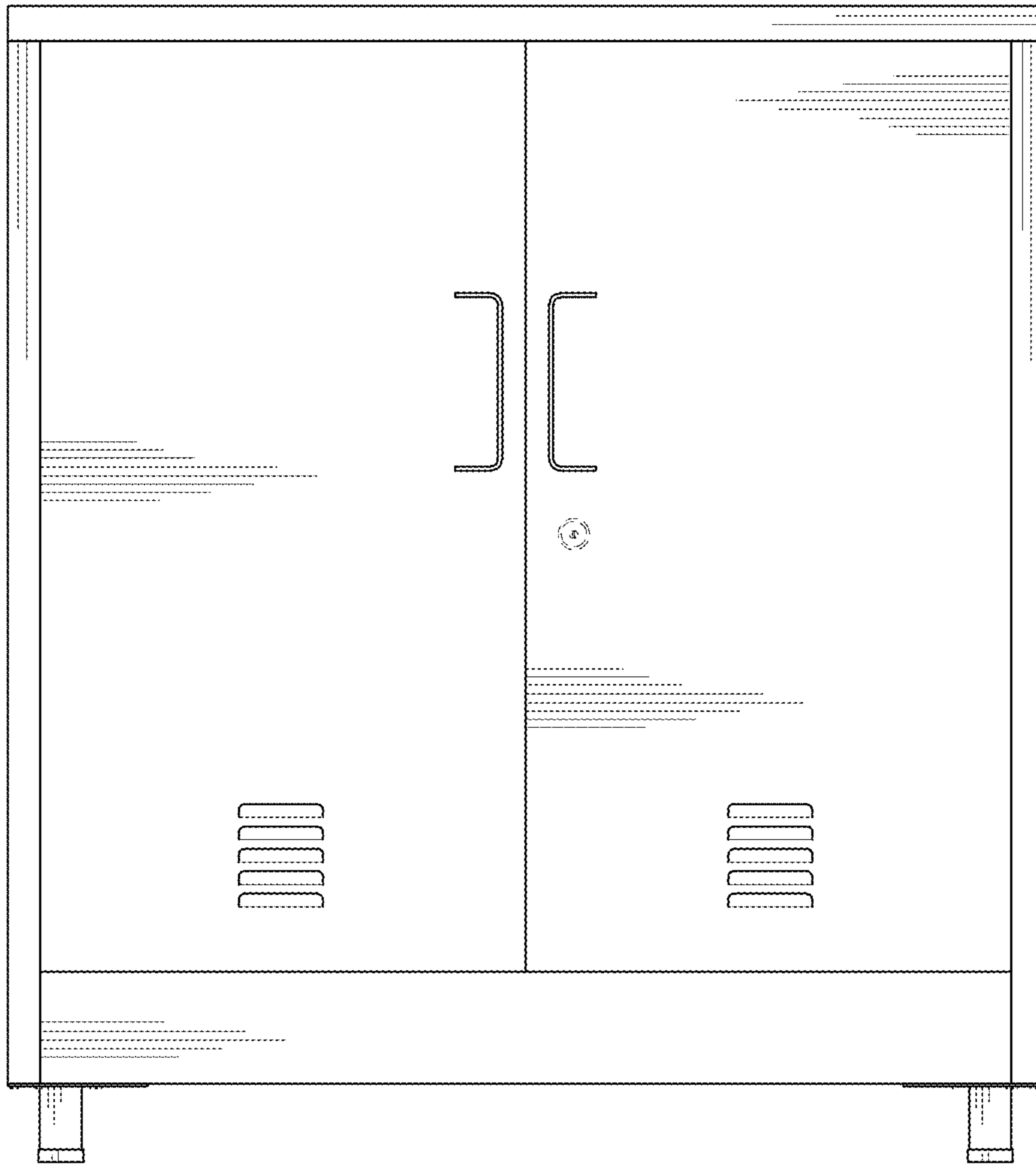


FIG. 2

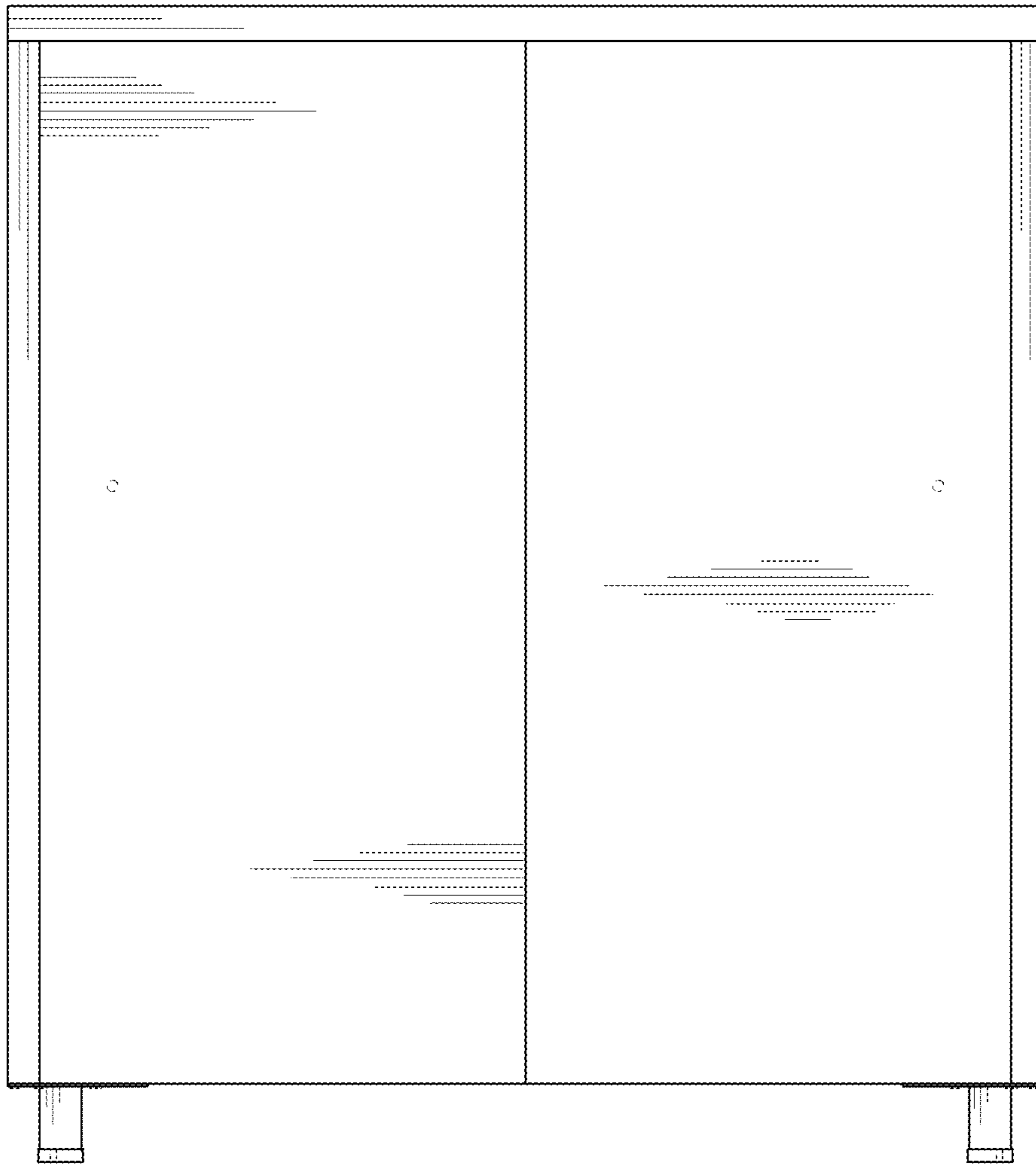


FIG. 3

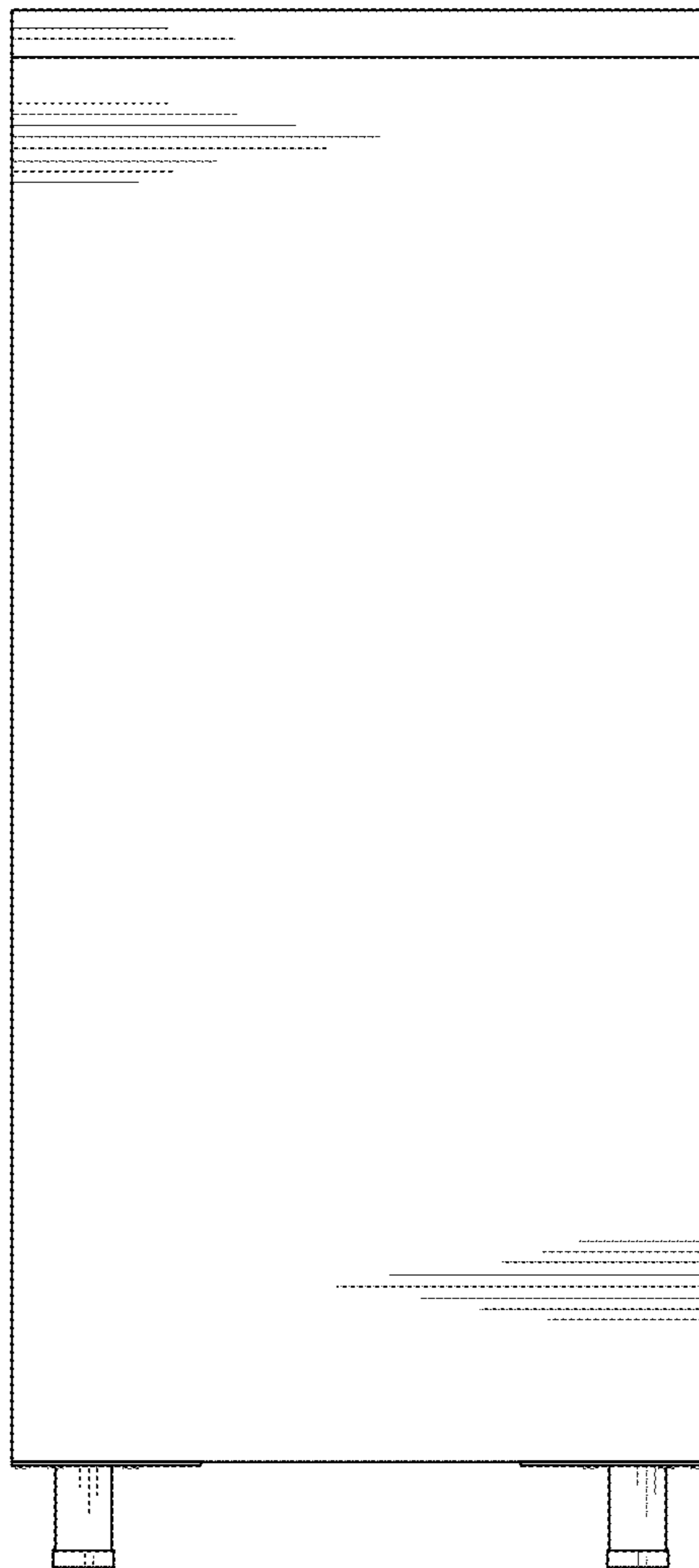


FIG. 4

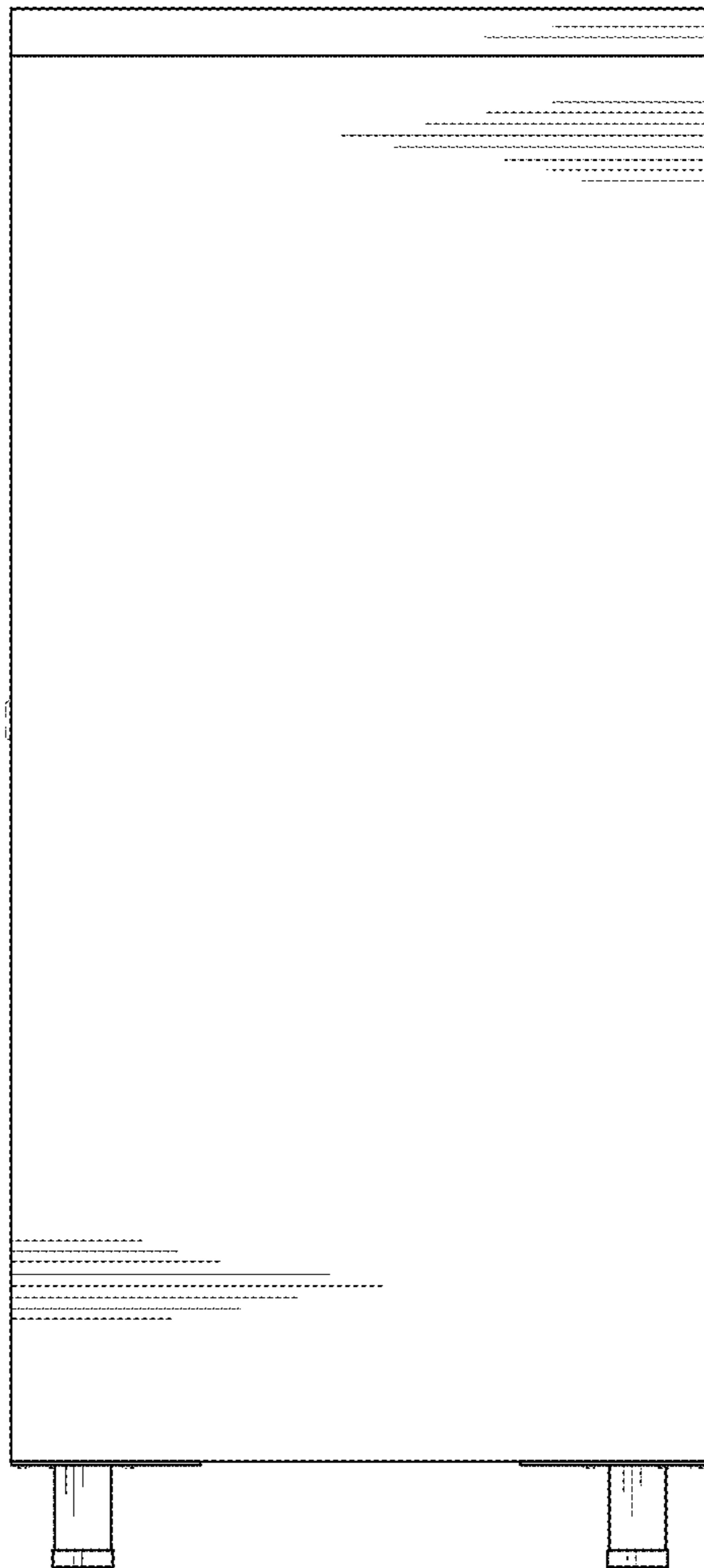


FIG. 5

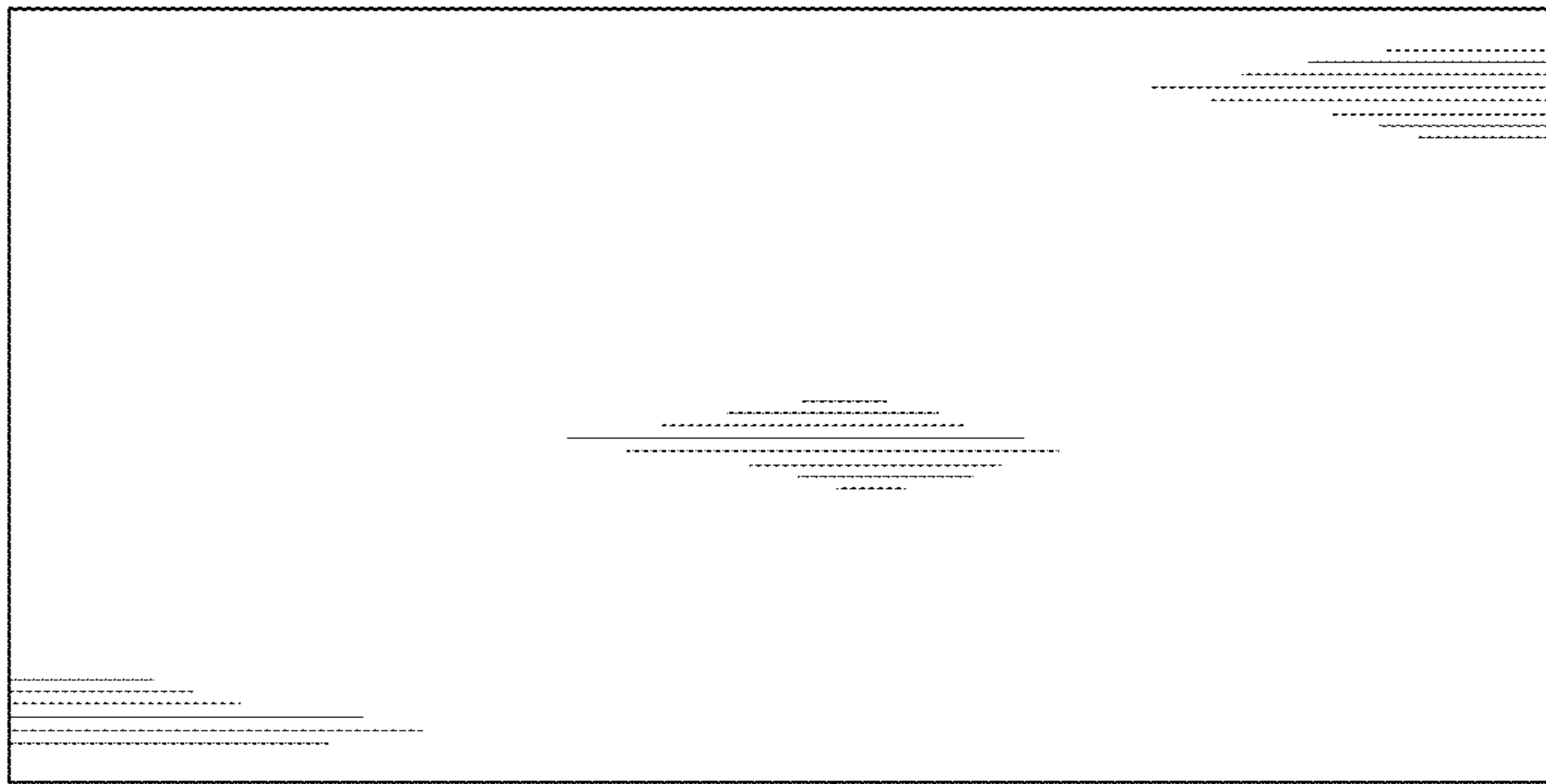


FIG. 6



FIG. 7

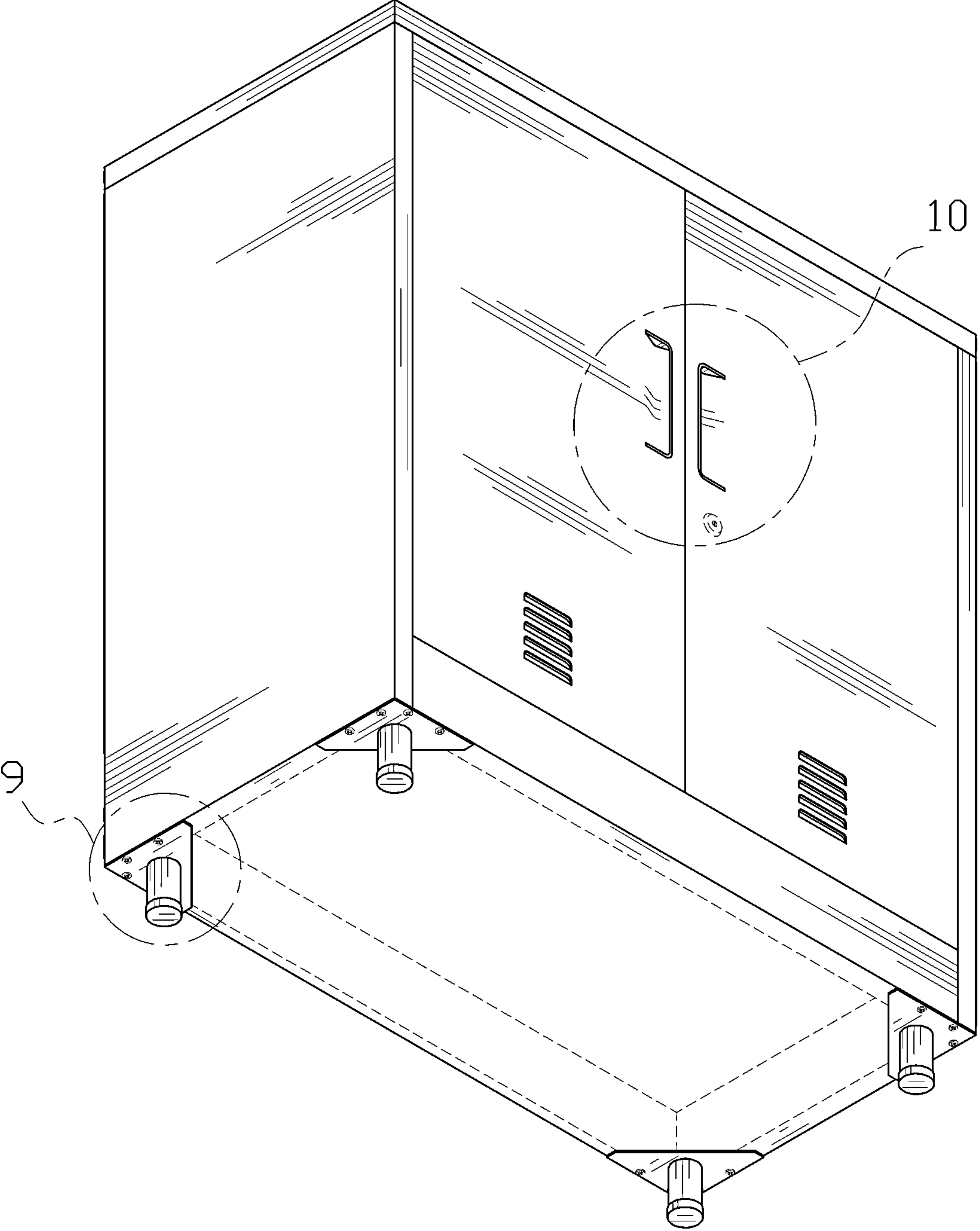


FIG. 8

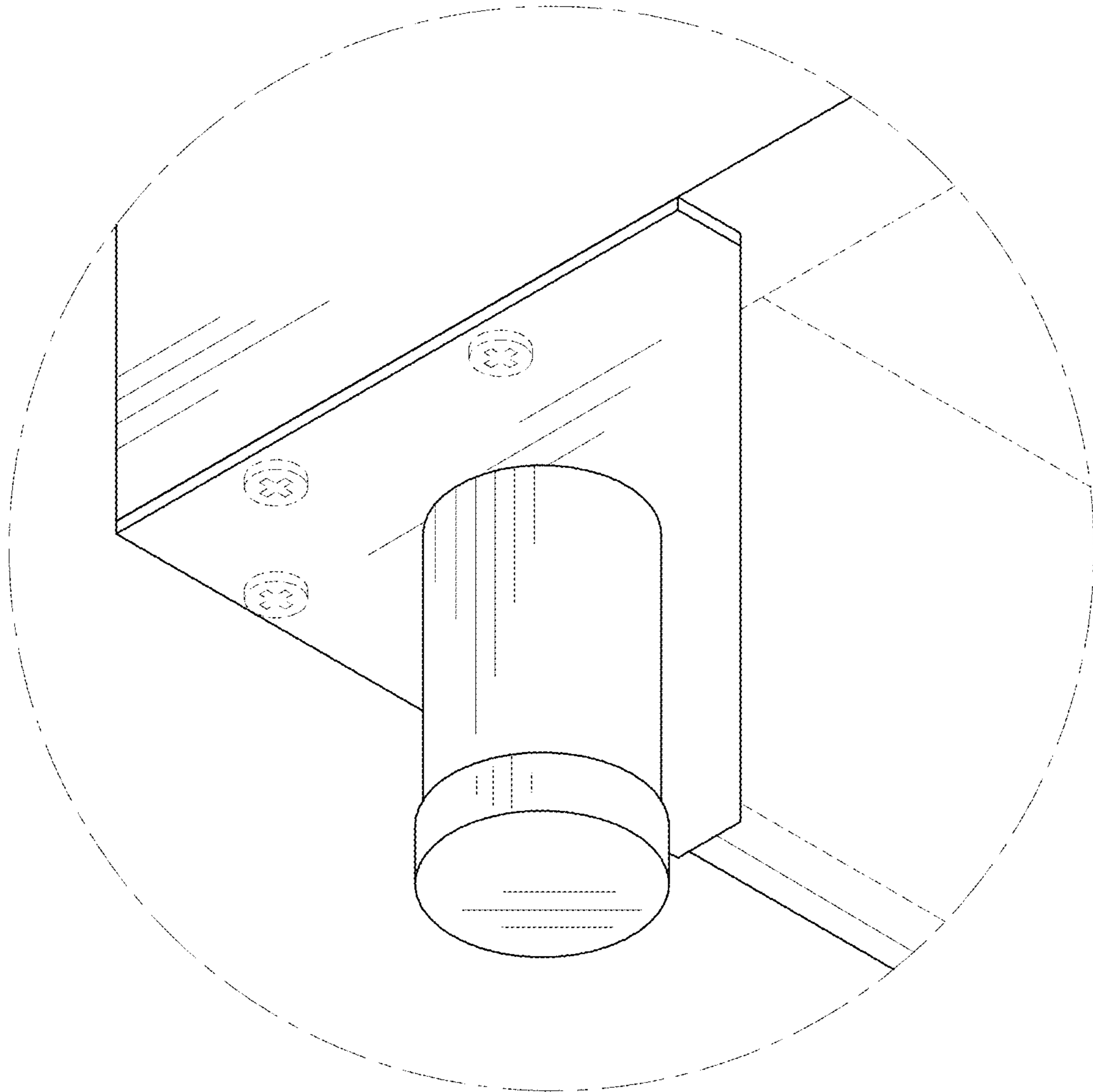


FIG. 9

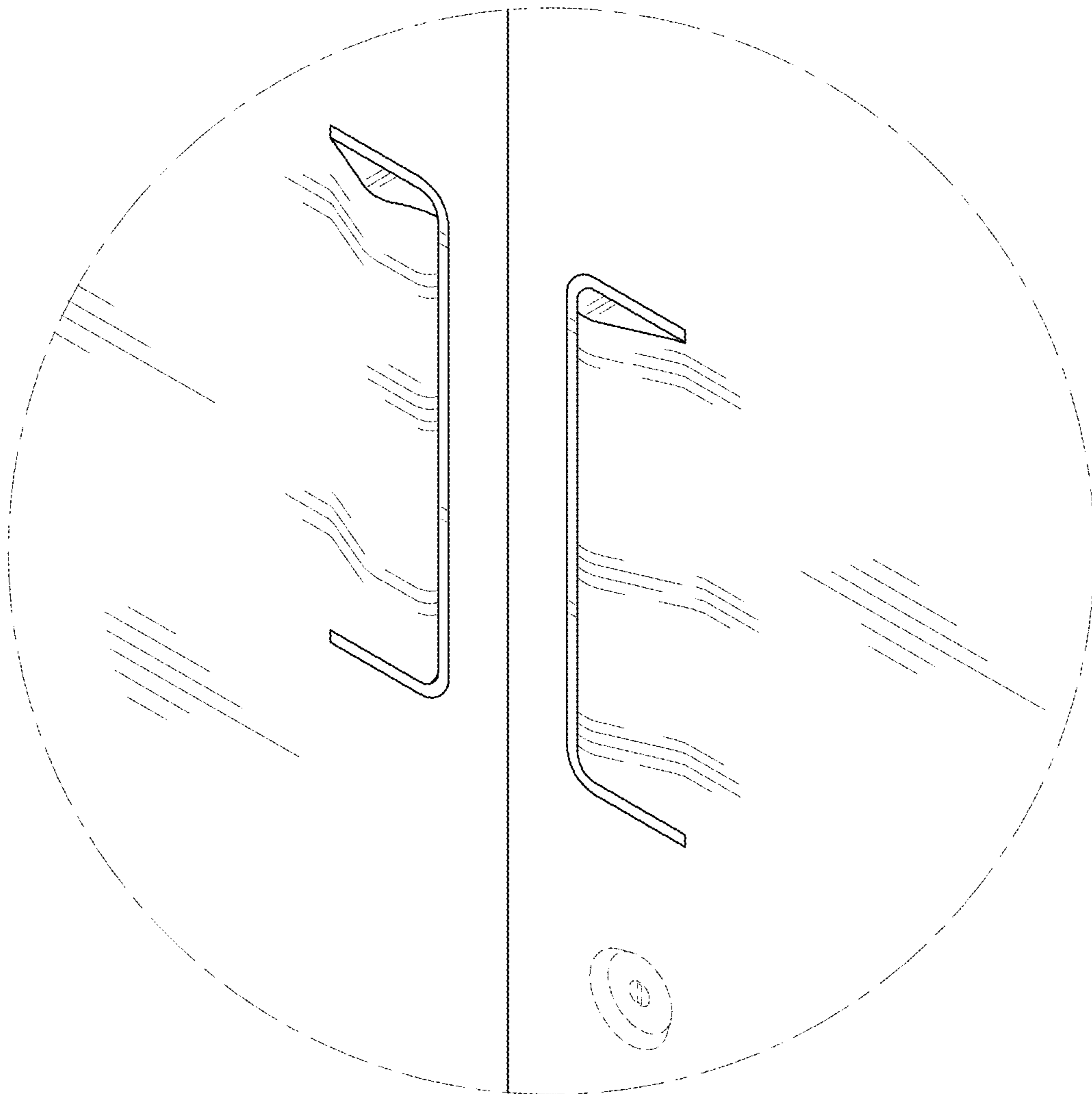


FIG. 10