



US00D982942S

(12) **United States Design Patent**
Zheng

(10) **Patent No.:** **US D982,942 S**
(45) **Date of Patent:** **** Apr. 11, 2023**

- (54) **DESK**
- (71) Applicant: **Hongbing Zheng**, Hangzhou (CN)
- (72) Inventor: **Hongbing Zheng**, Hangzhou (CN)
- (**) Term: **15 Years**
- (21) Appl. No.: **29/821,278**
- (22) Filed: **Dec. 29, 2021**

Related U.S. Application Data

- (63) Continuation of application No. 29/805,476, filed on Aug. 27, 2021.

(30) **Foreign Application Priority Data**

Mar. 2, 2021 (CN) 202130112650.6

- (51) **LOC (14) Cl.** **06-03**
- (52) **U.S. Cl.**
USPC **D6/648**
- (58) **Field of Classification Search**
USPC D6/641, 648, 648.1, 648.2, 648.3, 648.4,
D6/652, 654, 654.1, 654.11, 654.14,
D6/654.17, 654.18, 685, 691, 695, 695.4,
D6/695.5
CPC . A47B 2200/0003; A47B 13/02; A47B 13/06;
A47B 13/00; A47B 21/00
See application file for complete search history.

(56) **References Cited**

U.S. PATENT DOCUMENTS

D373,262 S *	9/1996	Luong	D6/648.4
D471,030 S *	3/2003	Chang	D6/648.2
D474,355 S *	5/2003	Sexton	D6/648.1
D626,766 S	11/2010	Sexton	
D880,905 S *	4/2020	Huang	D6/648
D882,300 S	4/2020	Li	
D891,821 S *	8/2020	Li	D6/648.2
D891,823 S	8/2020	Li	

D899,154 S	10/2020	Huang	
D899,823 S *	10/2020	Li	D6/648
D917,934 S	5/2021	Chu	
D936,393 S	11/2021	Li	

OTHER PUBLICATIONS

“ODK L Shaped Desk.” Found online Nov. 18, 2022 at www.amazon.com. Product first available Dec. 11, 2020. Retrieved from URL: <https://www.amazon.com/ODK-Computer-Space-Saving-Workstation-Assemble/dp/B08QCHH27D> (Year: 2020).*

“TBfit L Shaped Desk.” Found online Nov. 18, 2022 at ww.amazon.com. Product first available Jul. 28, 2021. Retrieved from URL: <https://www.amazon.com/dp/B09BC4GZDL> (Year: 2021).*

“Coleshome 61-inch L Shaped Desk.” Found online Nov. 18, 2022 at www.amazon.com. Product first available Oct. 26, 2021. Retrieved from URL: <https://www.amazon.com/Coleshome-Computer-Removable-Writing-Workstation/dp/B0977J877K> (Year: 2021).*

* cited by examiner

Primary Examiner — Mary Ann Calabrese
Assistant Examiner — Katelin G Kloberg
 (74) *Attorney, Agent, or Firm* — Bayramoglu Law Offices LLC

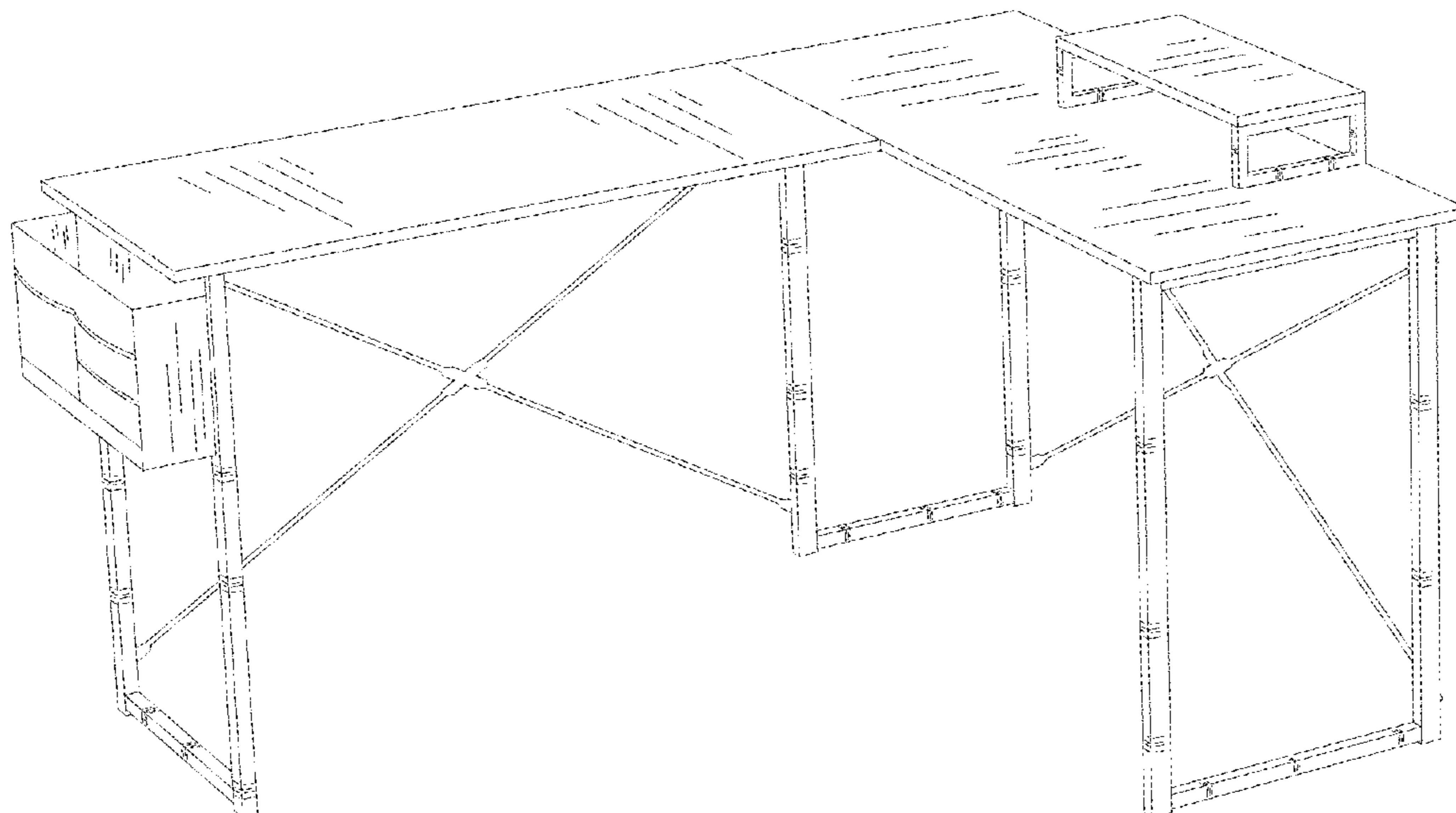
(57) **CLAIM**

The ornamental design for a desk, as shown and described.

DESCRIPTION

FIG. 1 is a top perspective view of a desk showing my new design;
 FIG. 2 is a front view thereof;
 FIG. 3 is a rear view thereof;
 FIG. 4 is a right side view thereof;
 FIG. 5 is a left side view thereof;
 FIG. 6 is a top view thereof;
 FIG. 7 is a bottom view thereof; and,
 FIG. 8 is a bottom perspective view thereof.

1 Claim, 8 Drawing Sheets



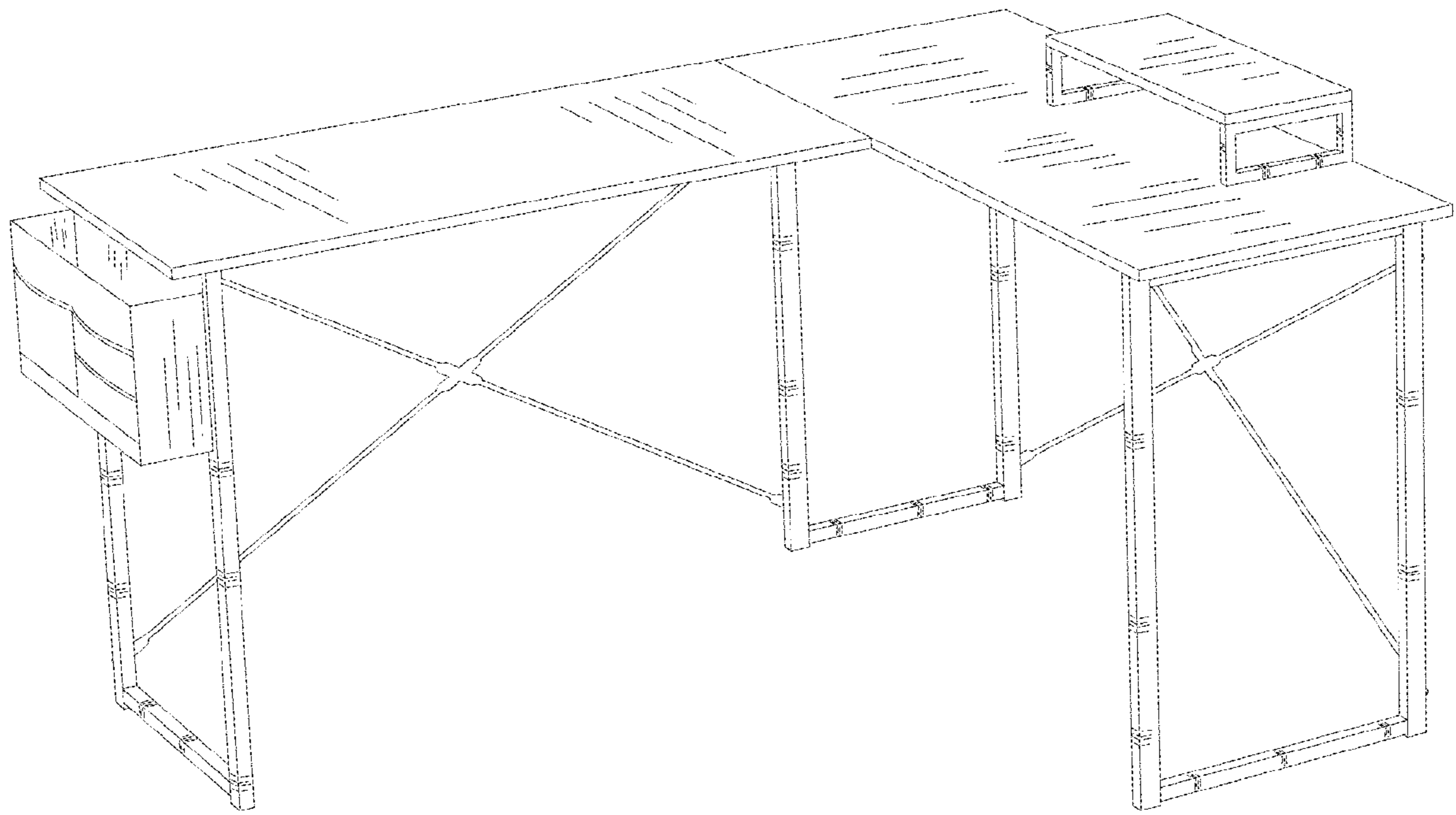


FIG. 1

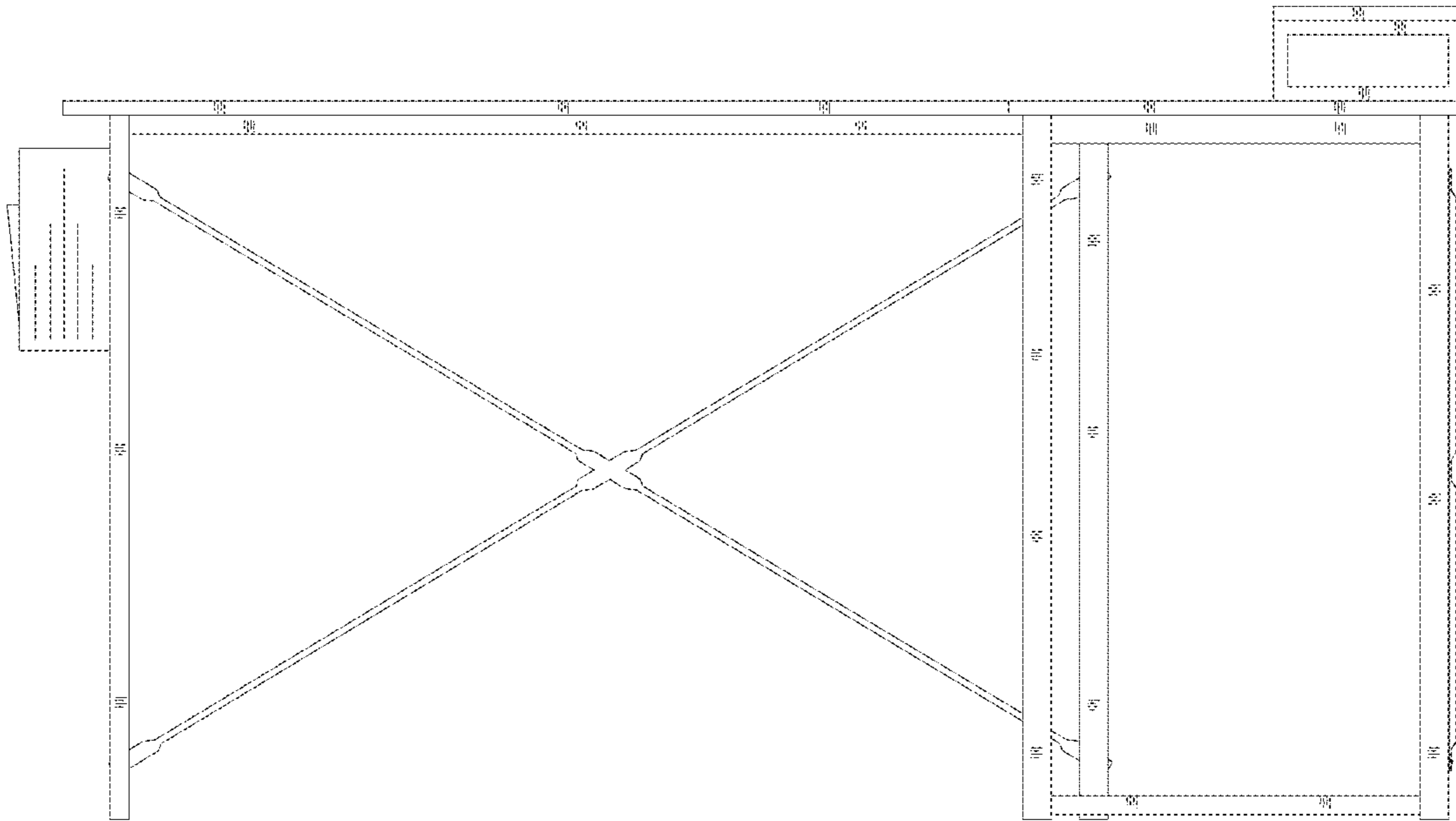


FIG. 2

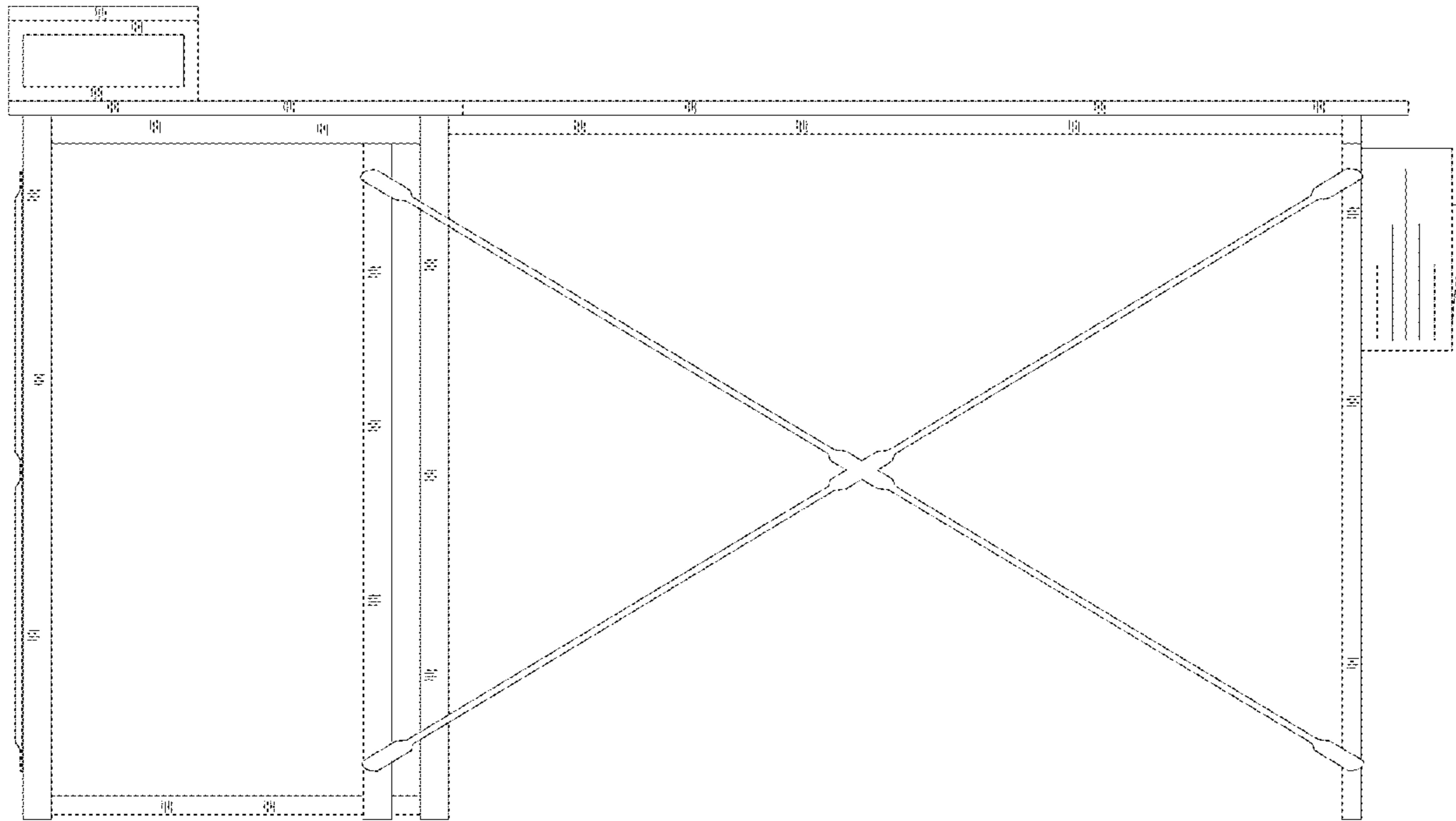


FIG. 3

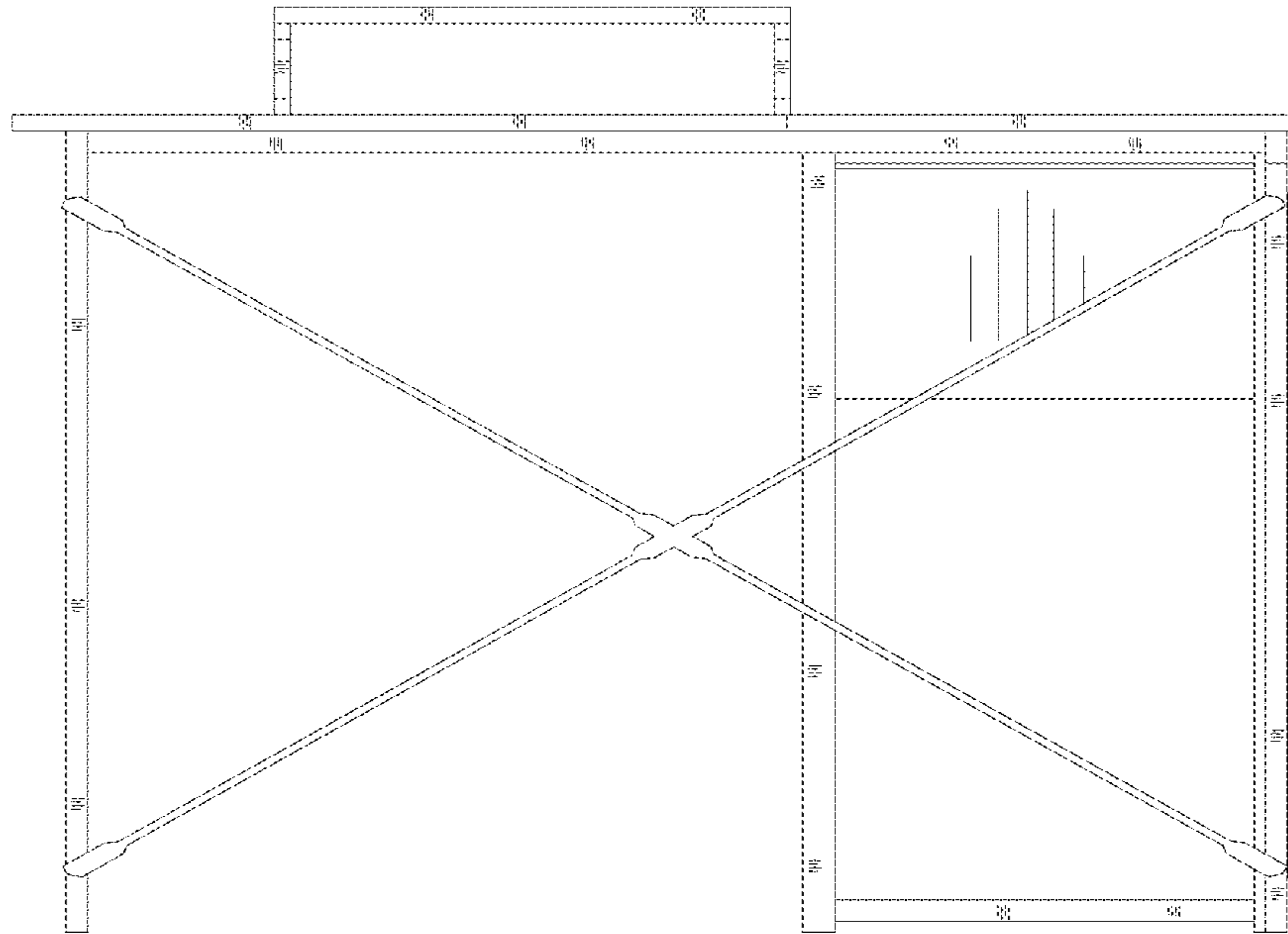


FIG. 4

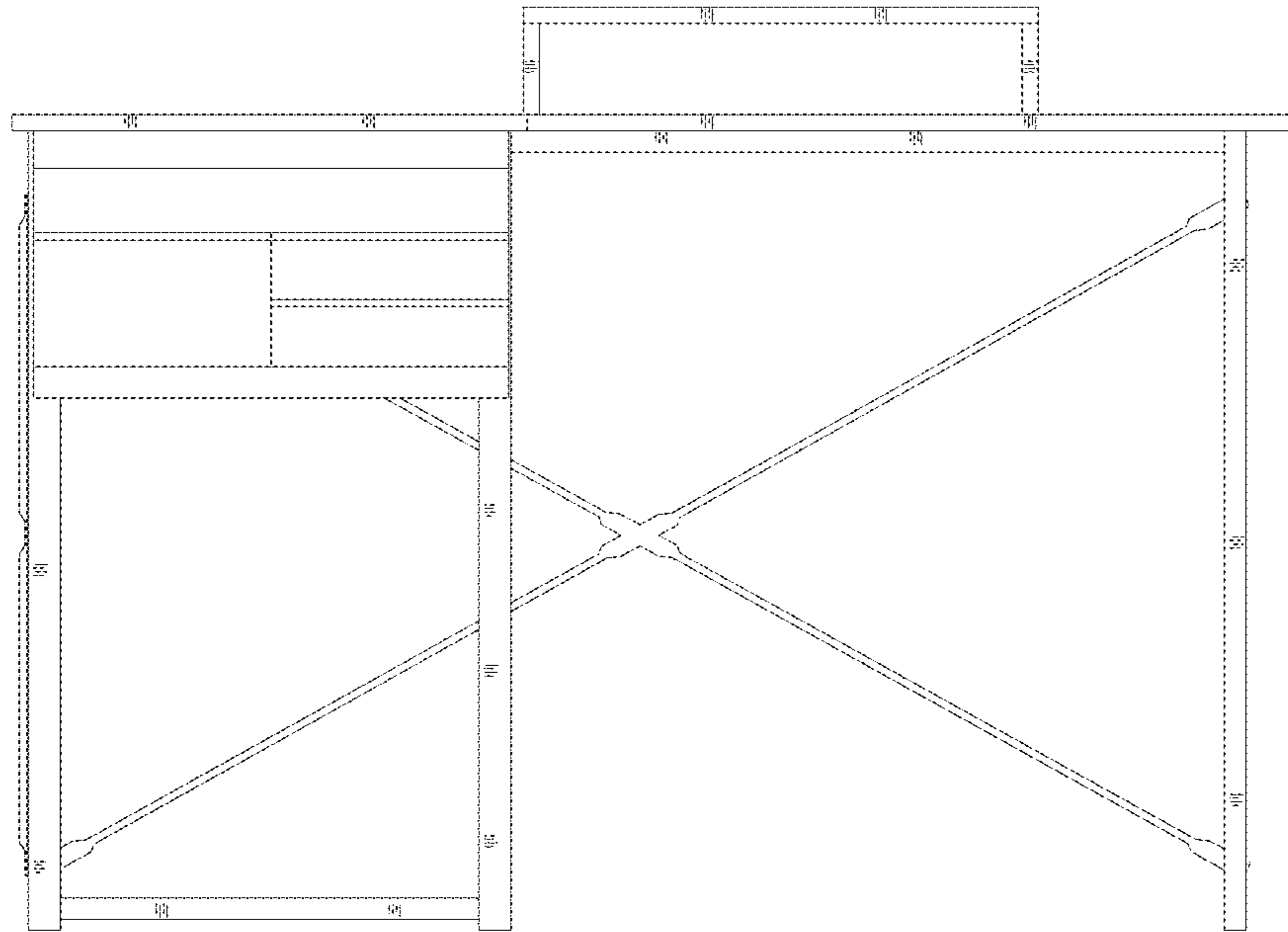


FIG. 5

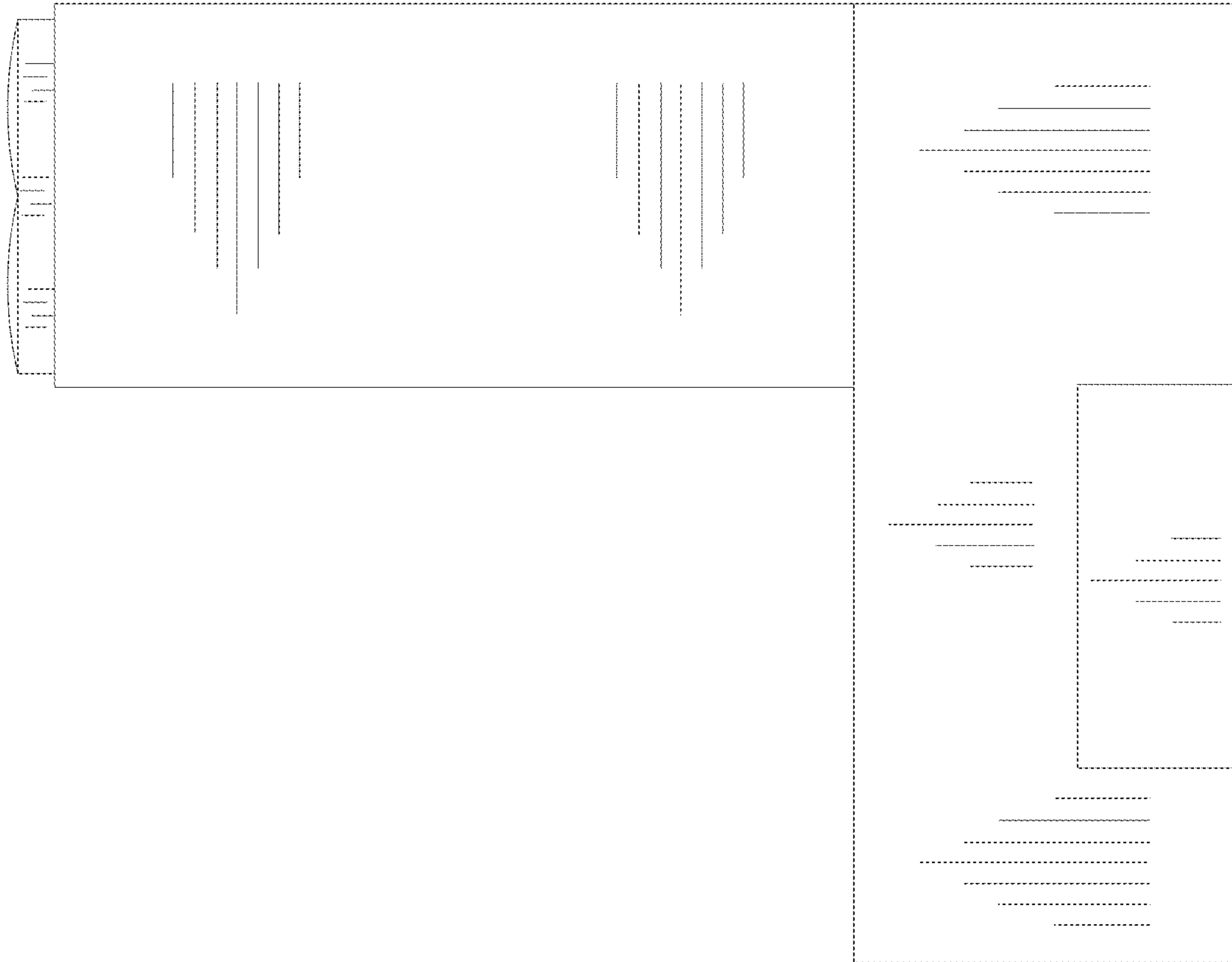


FIG. 6

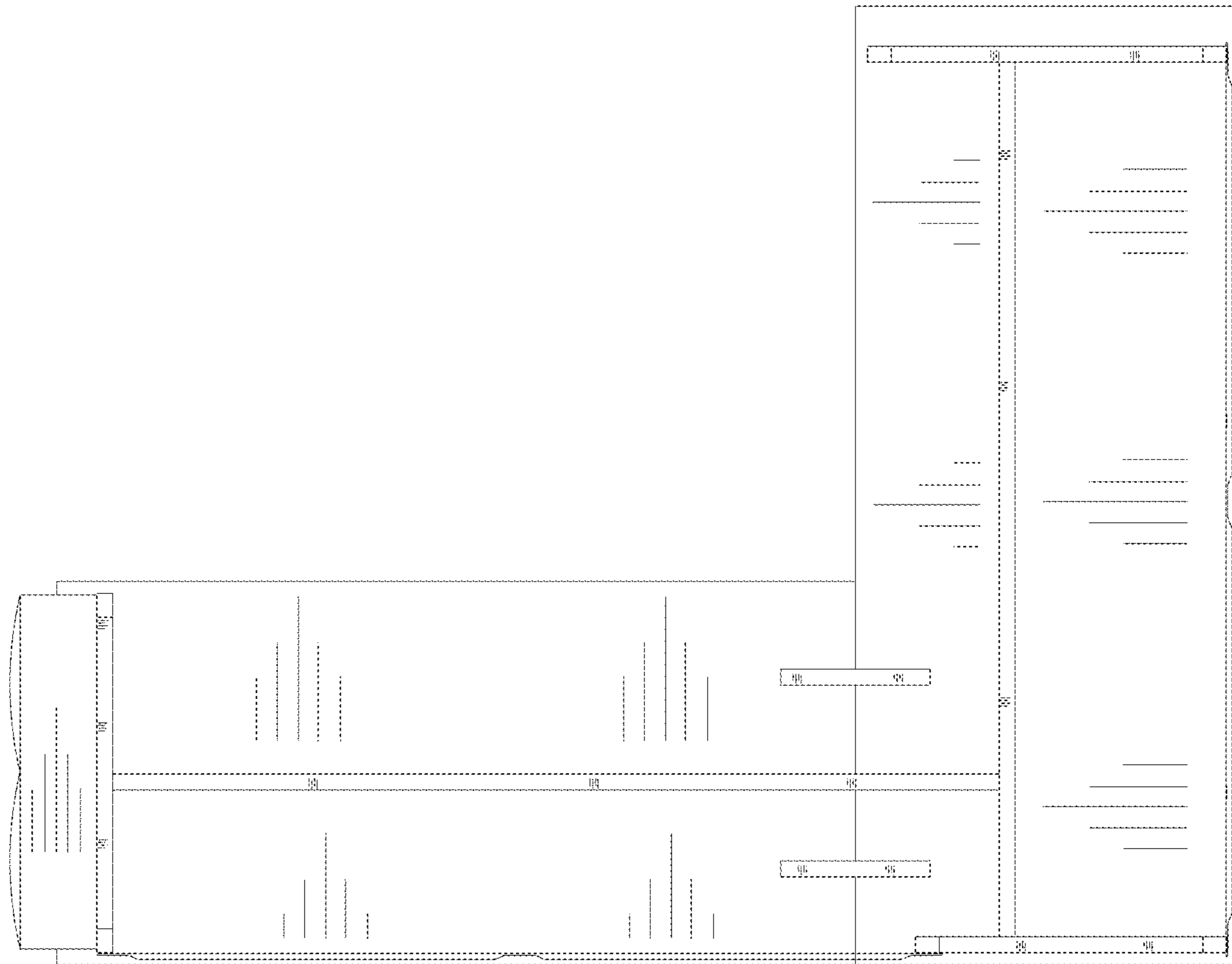


FIG. 7

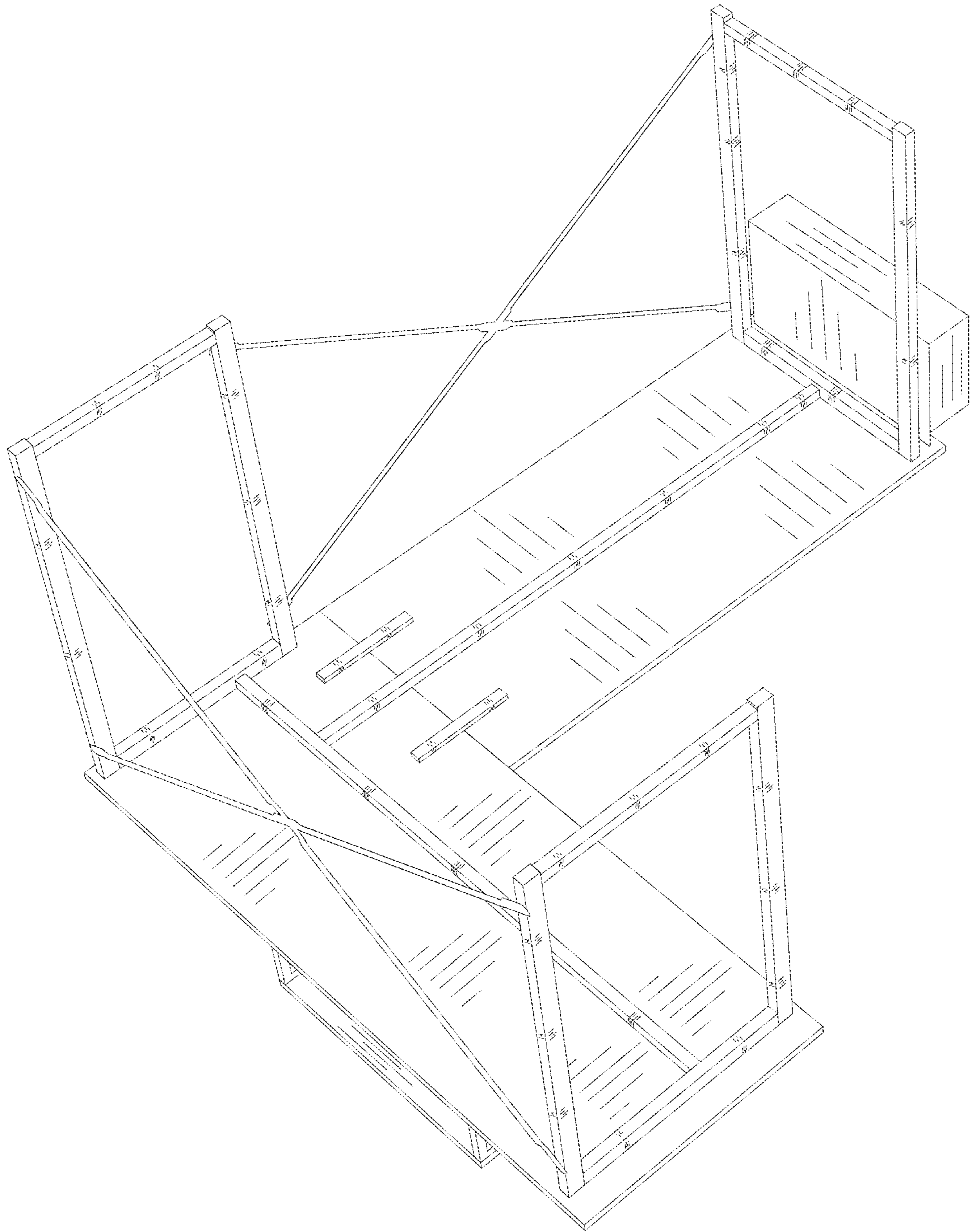


FIG. 8