



US00D982941S

(12) **United States Design Patent** (10) **Patent No.:** **US D982,941 S**
Fang (45) **Date of Patent:** **** Apr. 11, 2023**

(54) **RECLINER COVER**
(71) Applicant: **SHAOXING VERSXAILTEX CO., LTD.**, Shaoxing (CN)
(72) Inventor: **Li Fang**, Shaoxing (CN)
(**) Term: **15 Years**
(21) Appl. No.: **29/773,627**
(22) Filed: **Mar. 10, 2021**
(51) **LOC (14) Cl.** **06-13**
(52) **U.S. Cl.**
USPC **D6/611**
(58) **Field of Classification Search**
USPC D6/575, 580, 582, 583, 588, 592, 601, 604, 605, 610, 611
CPC A47C 31/11; A47C 27/08; A47C 27/14; A47G 27/00; A47G 27/02; A47G 27/04; A63B 37/0023; B60N 2/60
See application file for complete search history.

D730,084 S 5/2015 Rodack
D777,473 S 1/2017 Rodack
D806,444 S 1/2018 Sheldrake
D813,572 S 3/2018 Erdman
D887,748 S 6/2020 Sheldrake
D903,379 S 12/2020 Chen
D909,094 S 2/2021 Chen
D915,794 S * 4/2021 Wang D6/610
D931,006 S * 9/2021 Killinger D6/381
D939,234 S * 12/2021 Borselius D6/371
D943,312 S * 2/2022 Fang D6/611
2006/0103197 A1* 5/2006 Baines A47C 31/11 297/229
2013/0047560 A1* 2/2013 Wetsch B29C 65/5057 156/251
2014/0015295 A1* 1/2014 Baines A47C 31/11 297/225

FOREIGN PATENT DOCUMENTS

GB 6130612 * 4/2021

* cited by examiner

Primary Examiner — Karen S Acker

(57) **CLAIM**

The ornamental design for a recliner cover, as shown and described.

DESCRIPTION

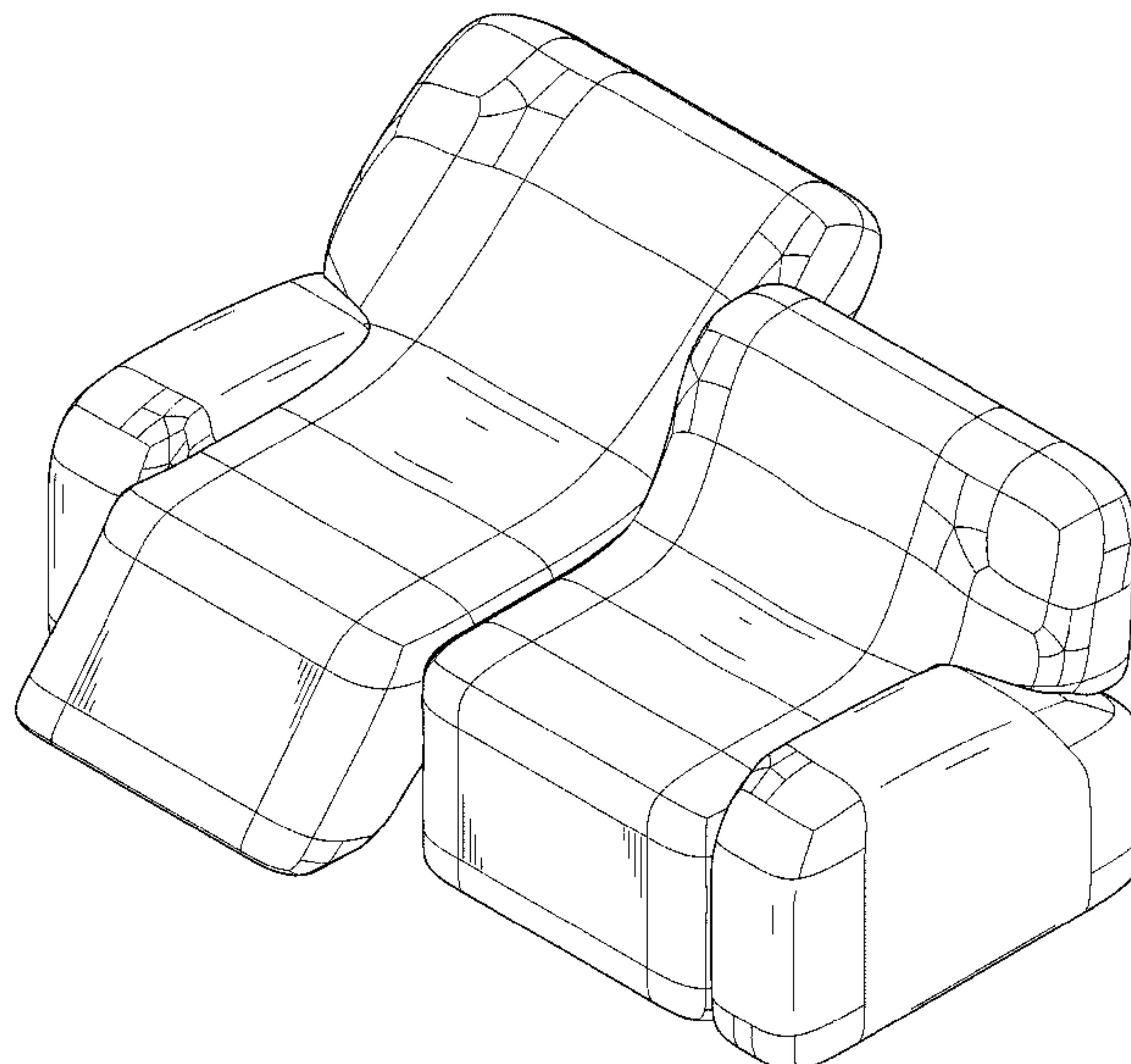
FIG. 1 is a front, right side, top perspective view of a recliner cover showing my new design;
FIG. 2 is a front elevational view thereof;
FIG. 3 is a rear elevational view thereof;
FIG. 4 is a left side elevational view thereof;
FIG. 5 is a right side elevational view thereof;
FIG. 6 is a top plan view thereof; and,
FIG. 7 is a bottom plan view thereof.
The broken lines and all areas within the broken lines depict portions of the recliner cover that form no part of the claimed design.

1 Claim, 7 Drawing Sheets

(56) **References Cited**

U.S. PATENT DOCUMENTS

D104,187 S * 4/1937 Fry B29C 65/5057 297/224
D105,575 S * 8/1937 Easterman A47C 31/11 D6/611
2,546,109 A * 3/1951 Puchalsky A47C 31/11 297/229
4,092,049 A * 5/1978 Schoblom A47C 5/005 297/229
D252,490 S * 7/1979 Petersilie D6/334
D289,466 S * 4/1987 Leib D6/334
D336,377 S * 6/1993 Gibson A47C 5/005 D6/334
D479,427 S 9/2003 Illulian
D532,616 S * 11/2006 Auberger A47C 31/11 D6/334
D610,827 S * 3/2010 Nigro D6/377
D639,083 S * 6/2011 Martin D6/381



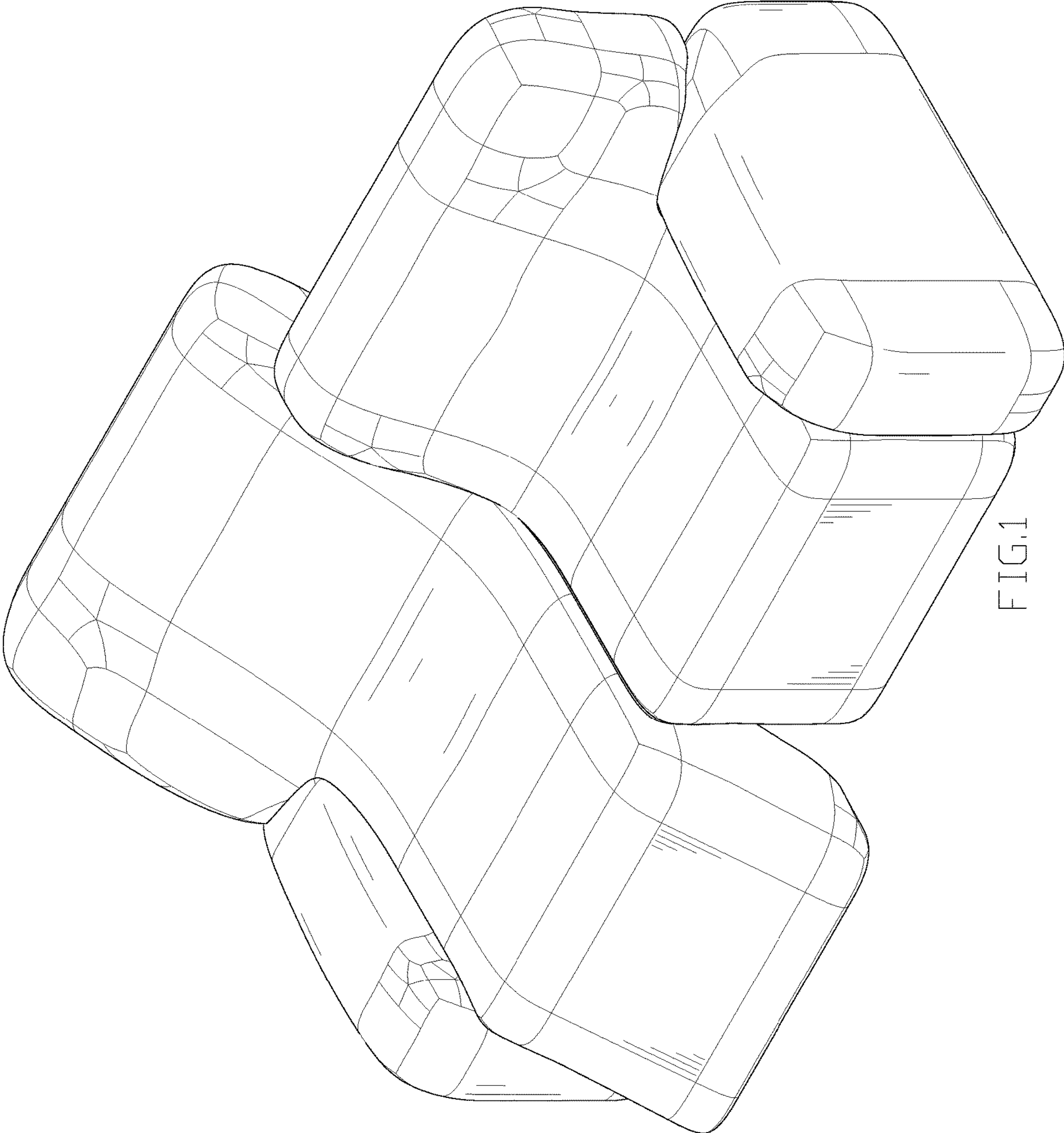


FIG. 1

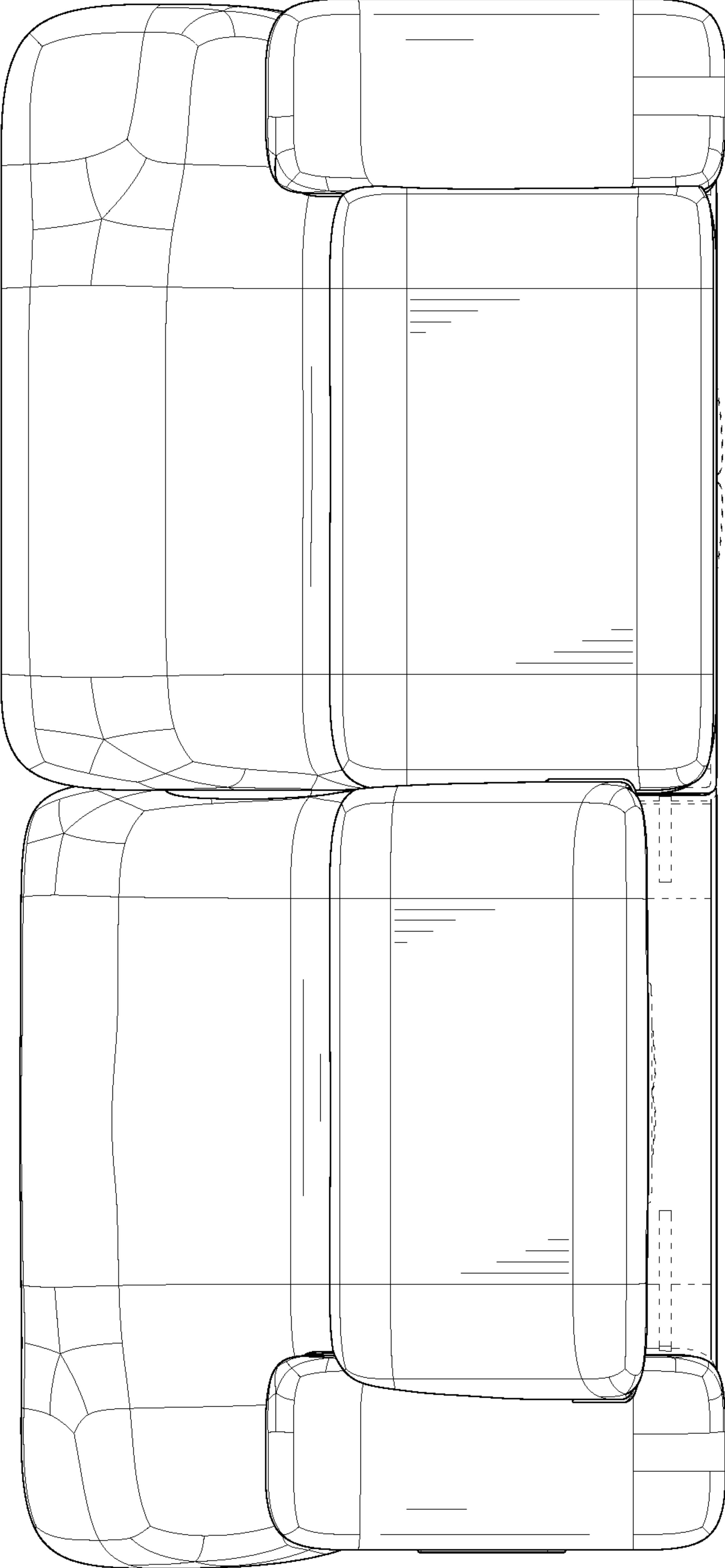


FIG.2

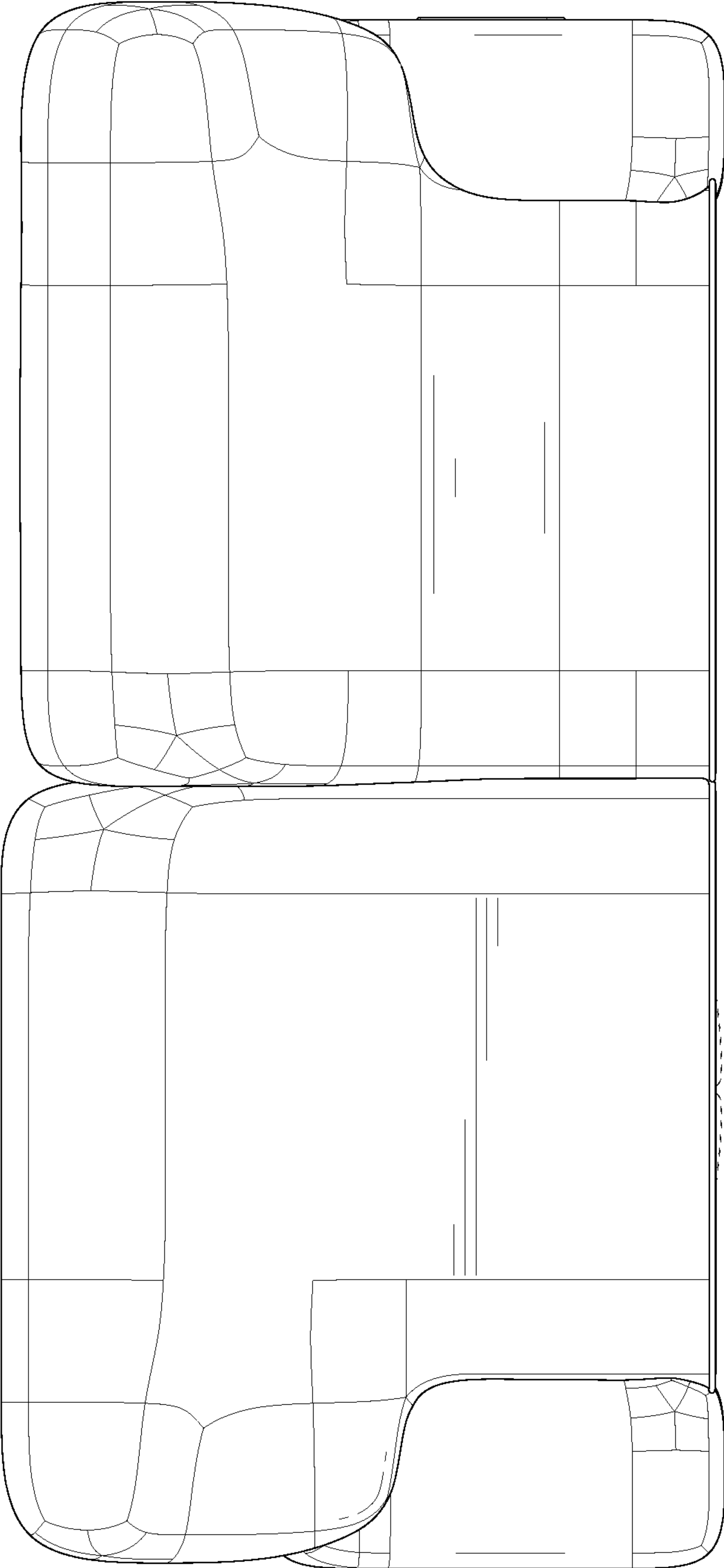


FIG. 3

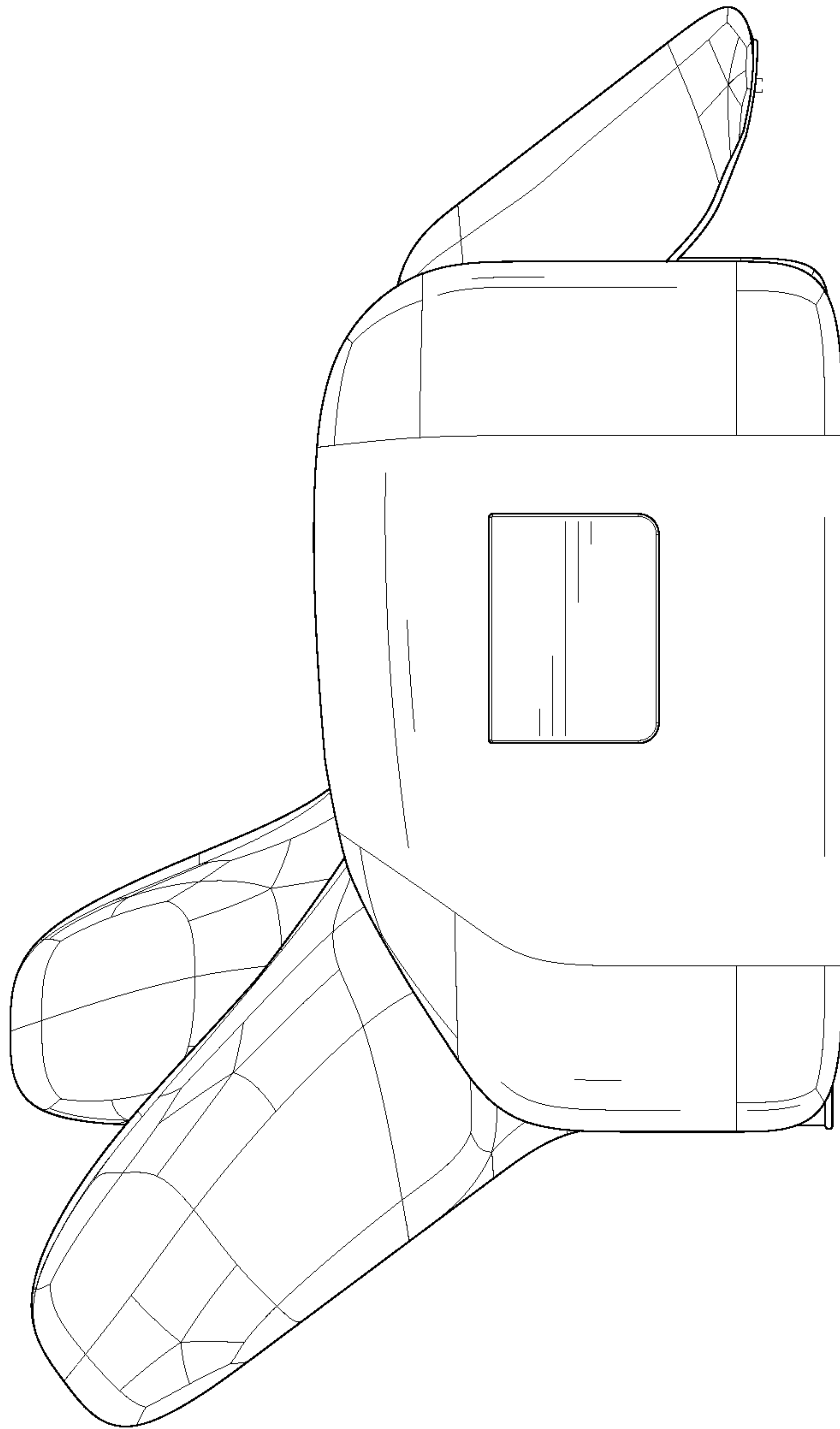


FIG. 4

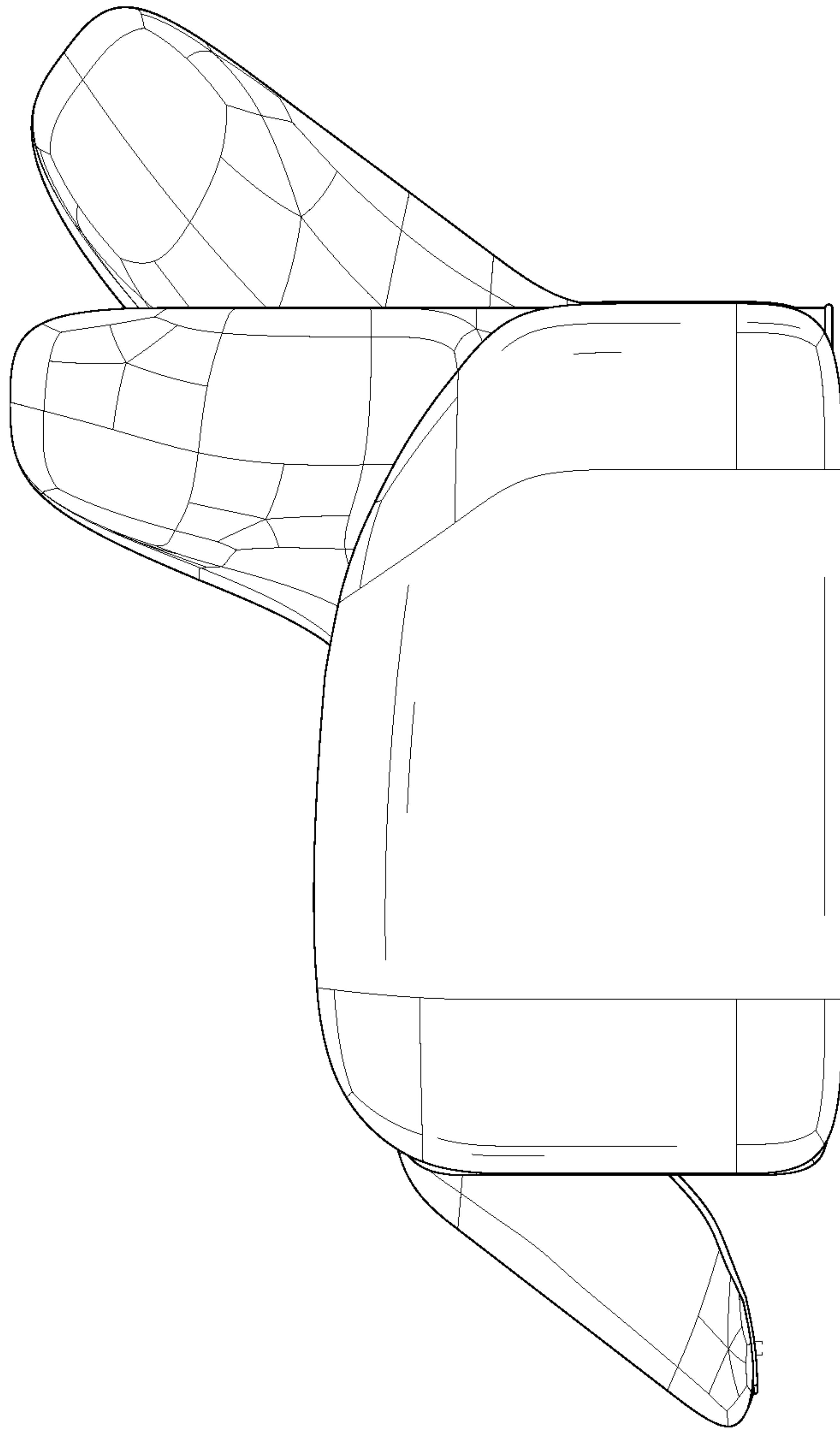


FIG.5

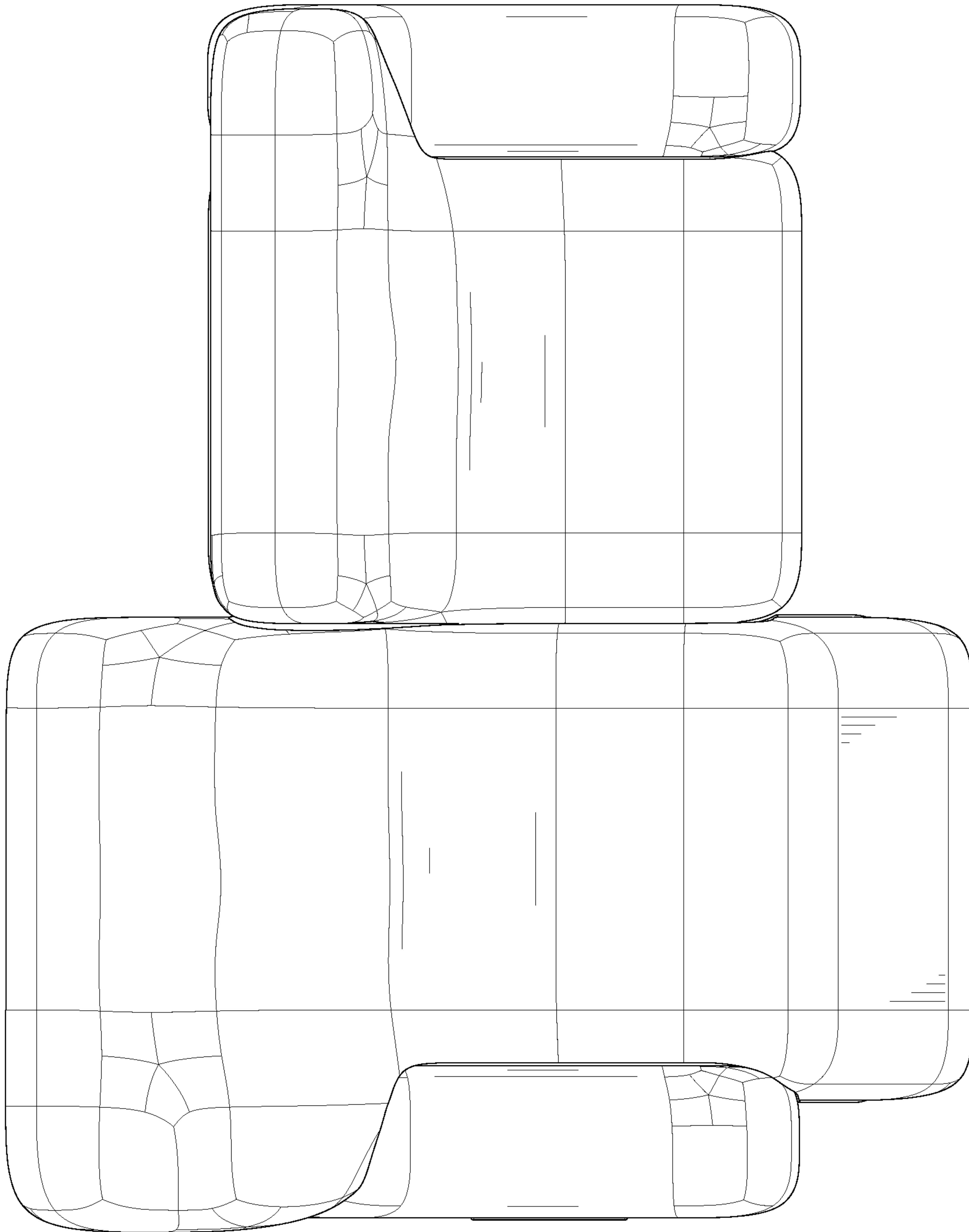


FIG.6

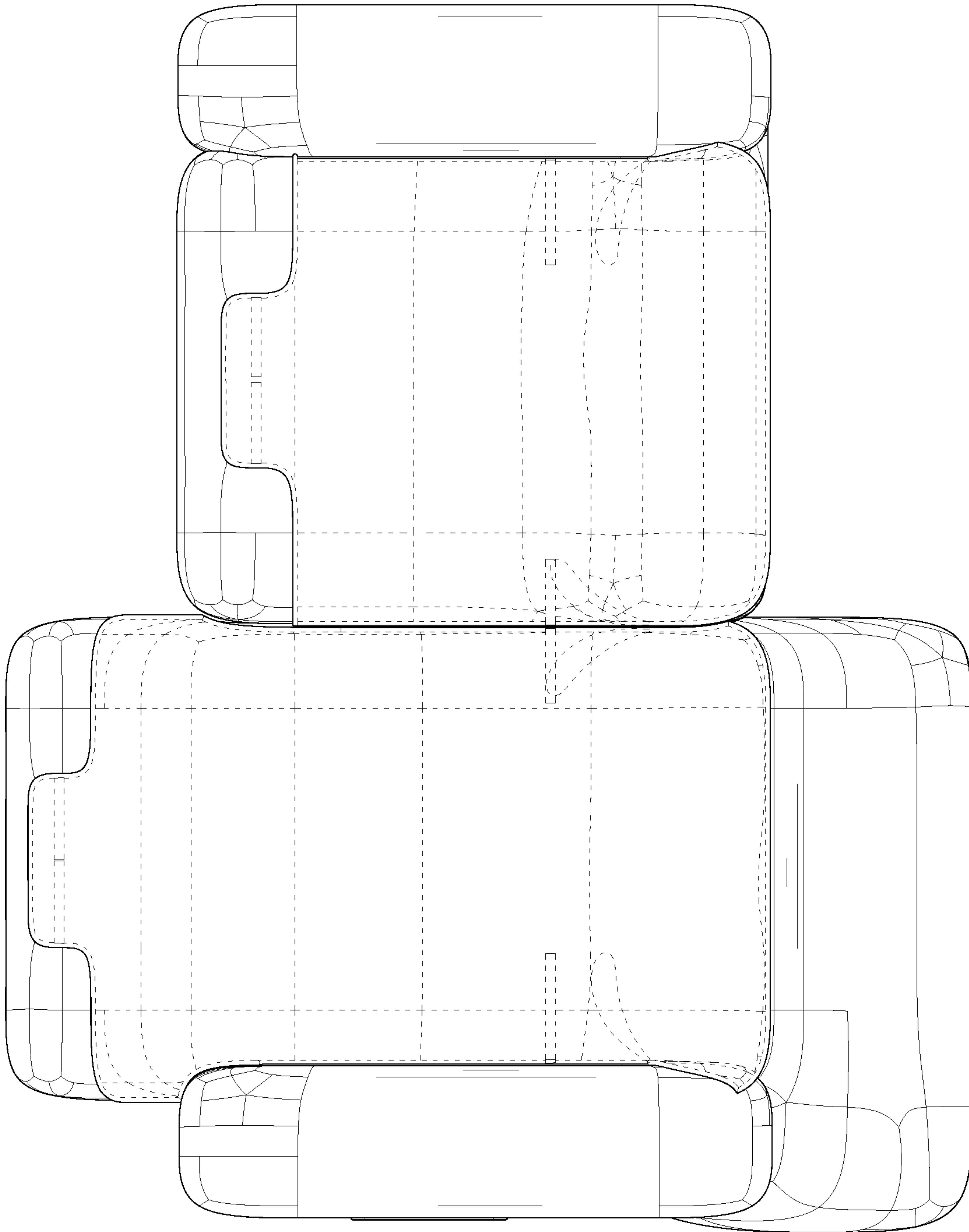


FIG. 7