



US00D982939S

(12) **United States Design Patent** (10) **Patent No.:** **US D982,939 S**  
**Zhou** (45) **Date of Patent:** **\*\* Apr. 11, 2023**

(54) **CERVICAL PILLOW**

(71) Applicant: **Mo Zhou**, Dangyang (CN)

(72) Inventor: **Mo Zhou**, Dangyang (CN)

(\*\*) Term: **15 Years**

(21) Appl. No.: **29/861,105**

(22) Filed: **Nov. 27, 2022**

(51) **LOC (14) Cl.** ..... **06-09**

(52) **U.S. Cl.**  
USPC ..... **D6/601**

(58) **Field of Classification Search**  
USPC ..... D6/595, 596, 601; D21/803, 804, 809  
CPC .. A47G 9/1018; A47G 9/1009; A47G 9/1027;  
A47G 9/1045; A47G 9/1063; A47G  
9/1072; A47G 9/1081

See application file for complete search history.

(56) **References Cited**

**U.S. PATENT DOCUMENTS**

- D271,647 S \* 12/1983 McLeod ..... D6/596
- D310,609 S \* 9/1990 Burkhardt
- D383,634 S \* 9/1997 Selph ..... D6/601
- D408,676 S \* 4/1999 Straub ..... D6/333
- 5,898,963 A \* 5/1999 Larson ..... A47C 27/084  
5/640
- D447,805 S \* 9/2001 Siegal
- 6,532,611 B1 \* 3/2003 Day ..... A47G 9/10  
5/636
- 7,805,787 B2 \* 10/2010 Wallis ..... A47C 31/005  
5/639
- D698,586 S \* 2/2014 Davis ..... D6/601
- D742,388 S \* 11/2015 Lo ..... D14/459
- D758,100 S \* 6/2016 Pham
- D881,607 S \* 4/2020 Yang
- D929,154 S \* 8/2021 Yan
- D931,465 S \* 9/2021 Li
- D931,651 S \* 9/2021 Chen ..... D6/601

- D944,036 S \* 2/2022 Mi
  - 2014/0101854 A1 \* 4/2014 Watson ..... A47G 9/10  
5/639
  - 2017/0128307 A1 \* 5/2017 Kim ..... A61H 7/001
- (Continued)

**FOREIGN PATENT DOCUMENTS**

- CN 303421079 \* 10/2015
  - CN 303602100 \* 3/2016
- (Continued)

**OTHER PUBLICATIONS**

Cervical Neck Pillow for Sleeping, date first available Oct. 14, 2021 [online], [retrieved Jan. 6, 2023]. Retrieved from internet URL: [https://www.amazon.com/Cervical-Sleeping-Bolster-Support-Pillows/dp/B09BDWGX6K/ref=sr\\_1\\_58\\_sspa?crd=2G8O8PGZJ2IBC&keywords=cervical%2Bpillows%2Bwith%2Bzipper&qid=167301979](https://www.amazon.com/Cervical-Sleeping-Bolster-Support-Pillows/dp/B09BDWGX6K/ref=sr_1_58_sspa?crd=2G8O8PGZJ2IBC&keywords=cervical%2Bpillows%2Bwith%2Bzipper&qid=167301979) (Year: 2021).\*

(Continued)

*Primary Examiner* — Jennifer L Watkins  
*Assistant Examiner* — Bryan Coauhtemoc Gusman

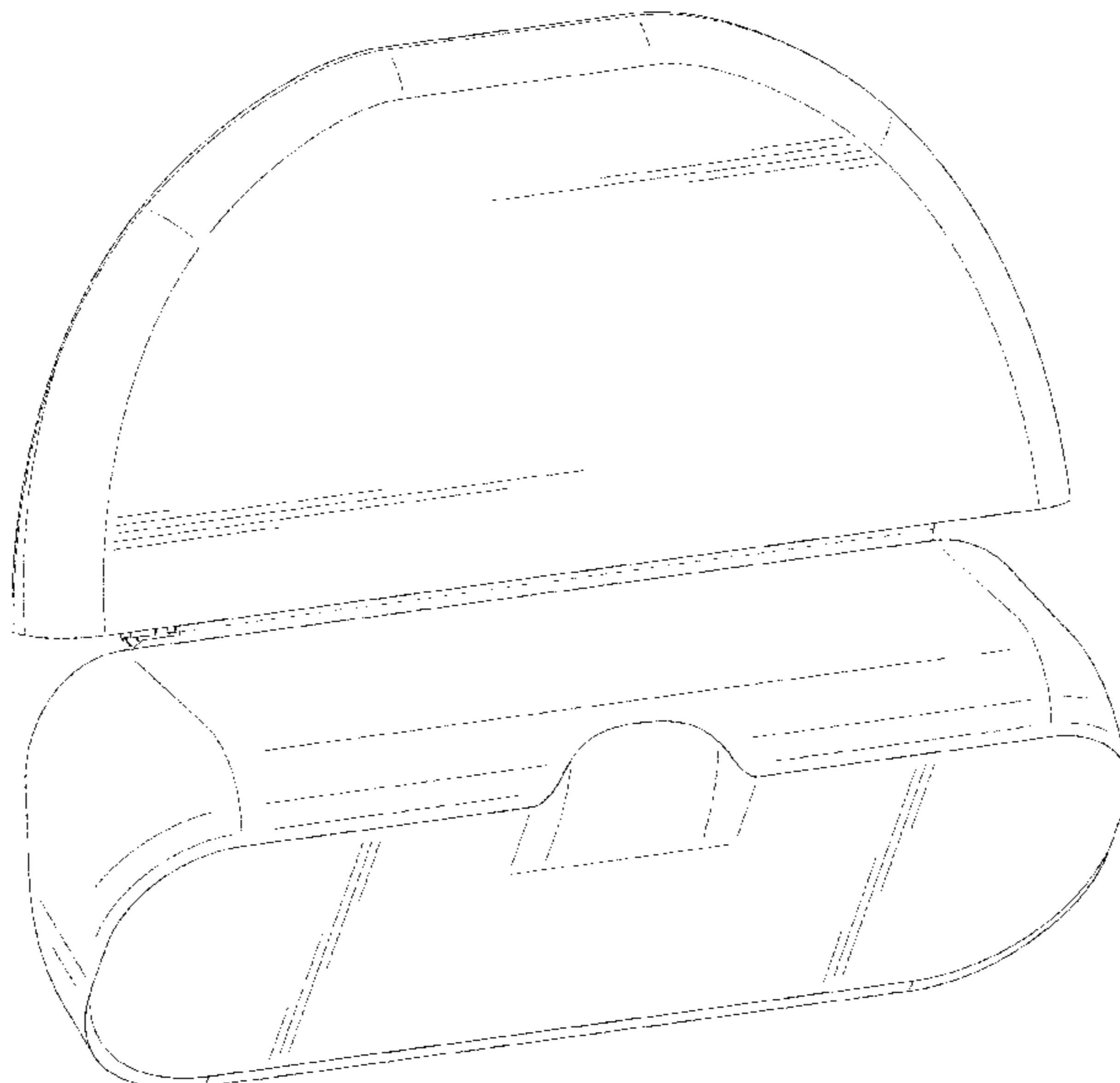
(57) **CLAIM**

The ornamental design for a cervical pillow, as shown and described.

**DESCRIPTION**

FIG. 1 is a front, left, and top perspective view of a cervical pillow, showing my new design;  
FIG. 2 is a rear, left, and bottom perspective view thereof;  
FIG. 3 is a front elevational view thereof;  
FIG. 4 is a rear elevational view thereof;  
FIG. 5 is a left elevational view thereof;  
FIG. 6 is a right elevational view thereof;  
FIG. 7 is a top plan view thereof; and,  
FIG. 8 is a bottom plan view thereof.  
The broken lines depict portions of the cervical pillow that form no part of the claimed design.

**1 Claim, 8 Drawing Sheets**



(56)

**References Cited**

U.S. PATENT DOCUMENTS

2018/0028002 A1\* 2/2018 Lou ..... A47G 9/1081  
2021/0235899 A1\* 8/2021 Silva ..... A47G 9/0253

FOREIGN PATENT DOCUMENTS

CN 304517614 \* 2/2018  
CN 305528245 \* 1/2020  
CN 305978128 \* 8/2020  
CN 306889074 \* 10/2021  
KR 300405956.0000 \* 2/2006

OTHER PUBLICATIONS

SoftSense Cervical Neck Pillow (“Softsense”), date first available Jul. 30, 2022 [online], [retrieved Jan. 6, 2023]. Retrieved from internet URL: [https://www.amazon.com/SoftSense-Cervical-Neck-Sleeping-Pillows/dp/B0B845VDNM/ref=psdc\\_3732111\\_t1\\_B09BDWGX6K](https://www.amazon.com/SoftSense-Cervical-Neck-Sleeping-Pillows/dp/B0B845VDNM/ref=psdc_3732111_t1_B09BDWGX6K) (Year: 2022).\*

S-Snail-OO Cervical Neck Pillow for Sleeping (“Snailoo”), date first available May 2, 2022 [online], [retrieved Jan. 6, 2023]. Retrieved from internet URL: [https://www.amazon.com/Cervical-Sleeping-Support-Sleepers-Sleeper/dp/B09H49412S/ref=psdc\\_3732111\\_t3\\_B09BDWGX6K?th=1](https://www.amazon.com/Cervical-Sleeping-Support-Sleepers-Sleeper/dp/B09H49412S/ref=psdc_3732111_t3_B09BDWGX6K?th=1) (Year: 2022).\*

\* cited by examiner

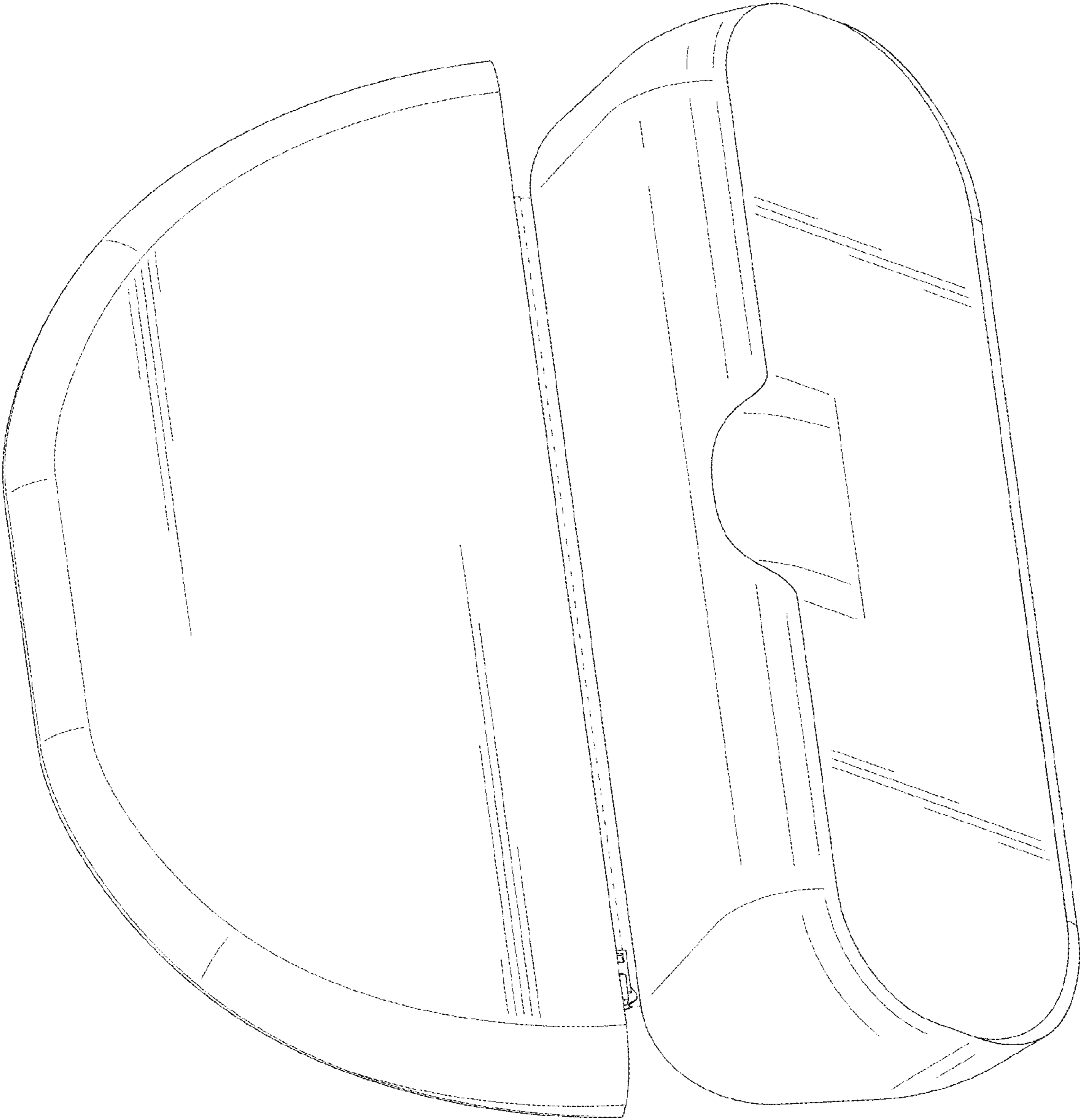


FIG. 1

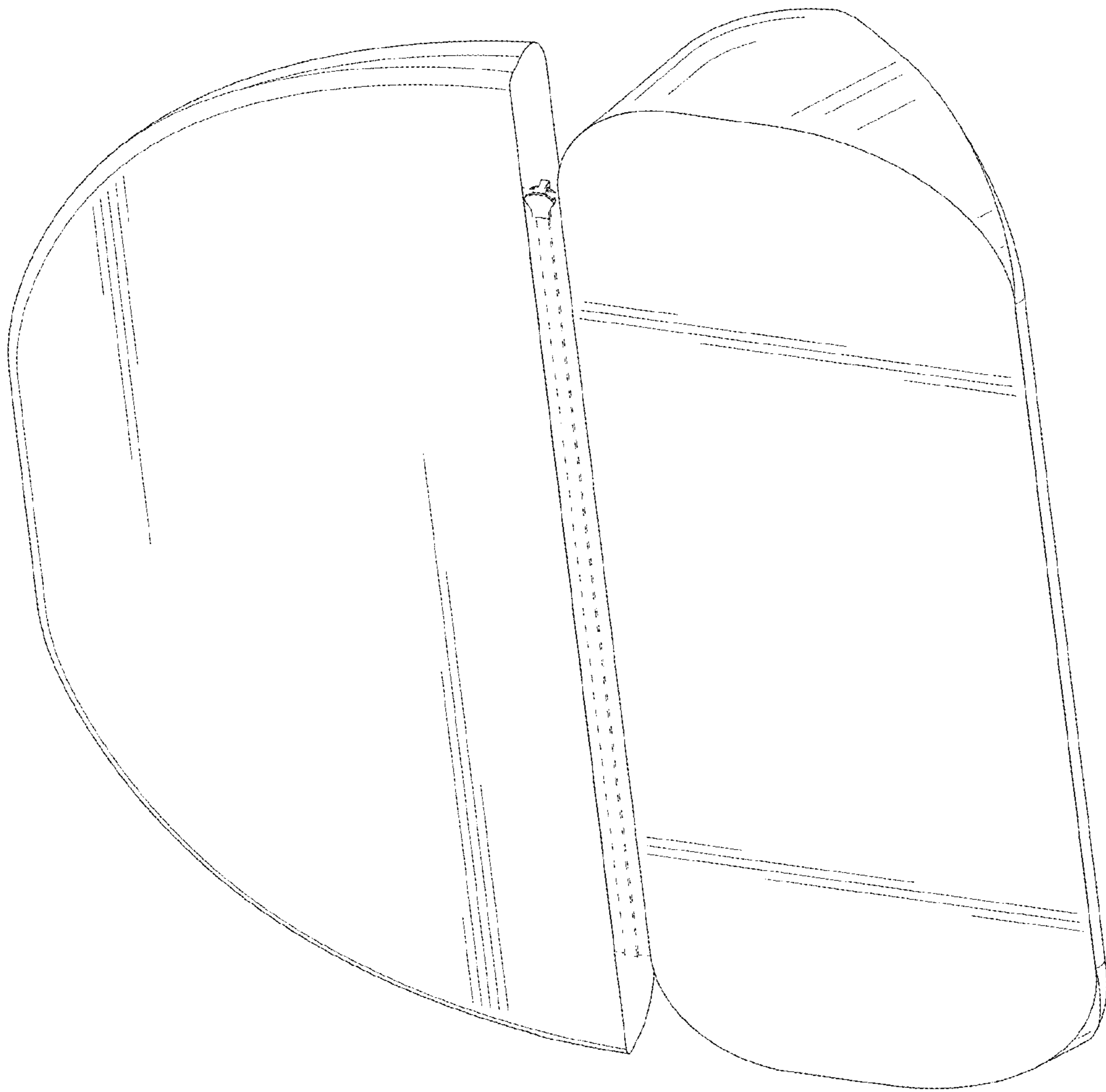


FIG. 2

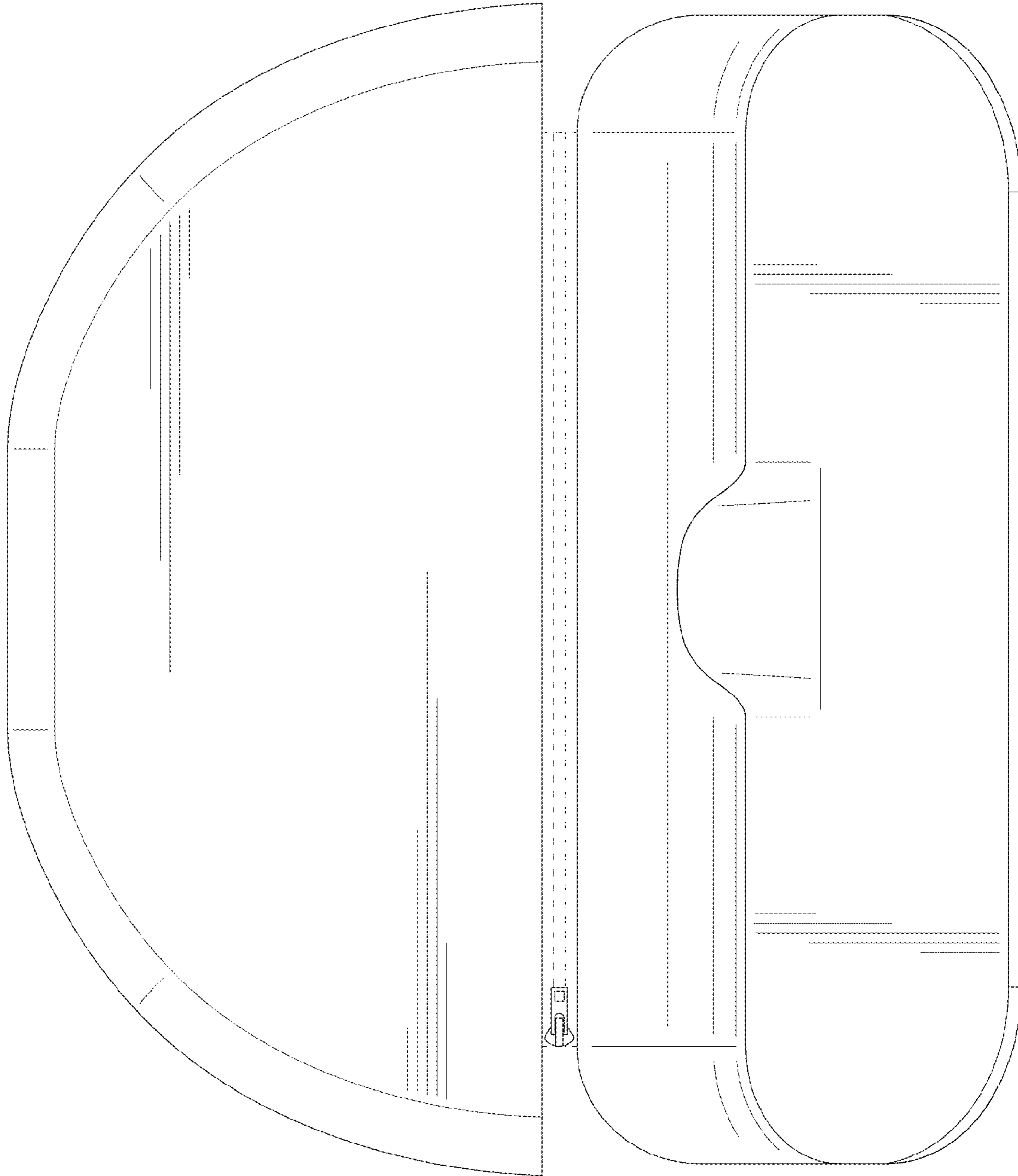


FIG. 3

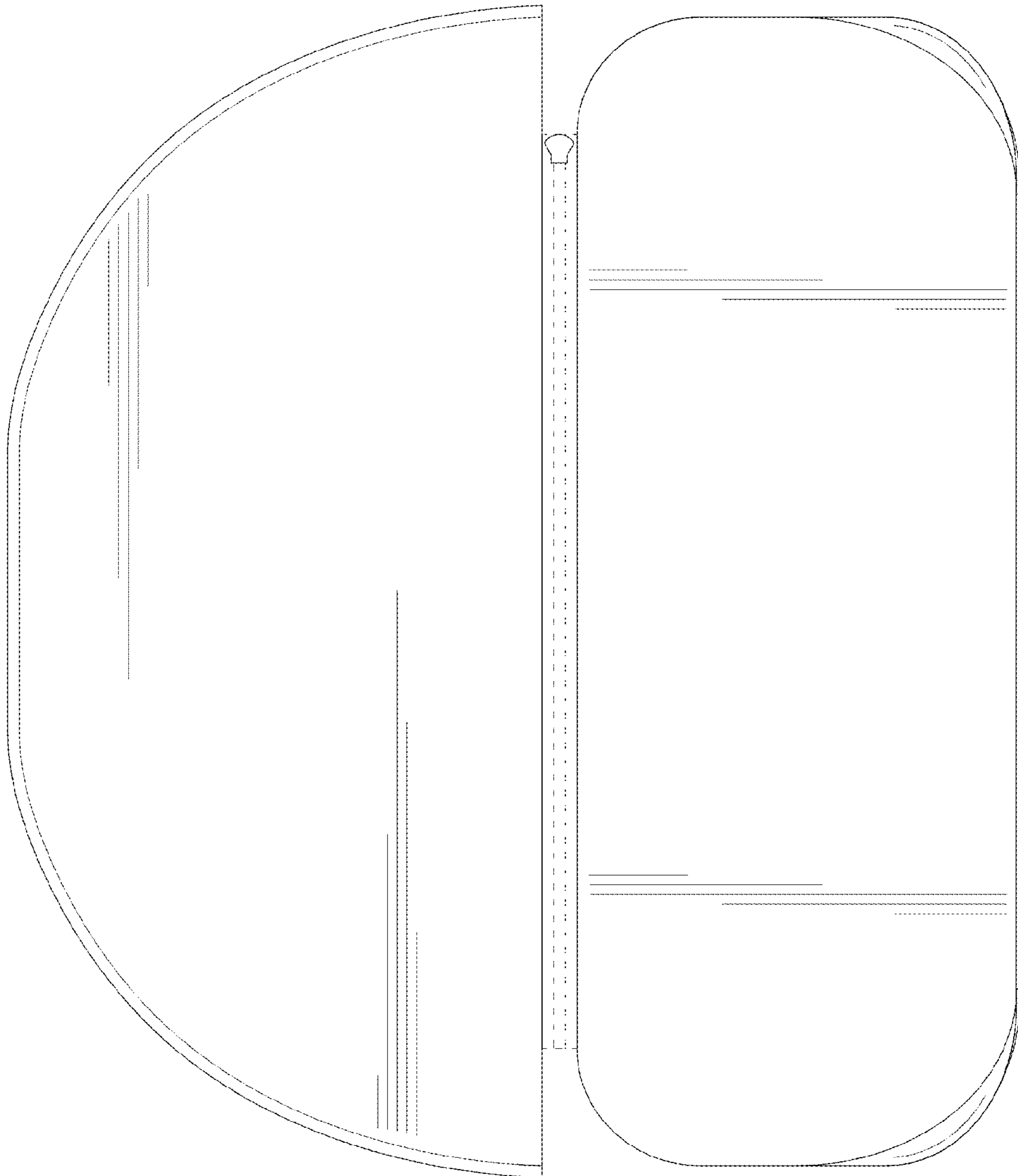


FIG. 4

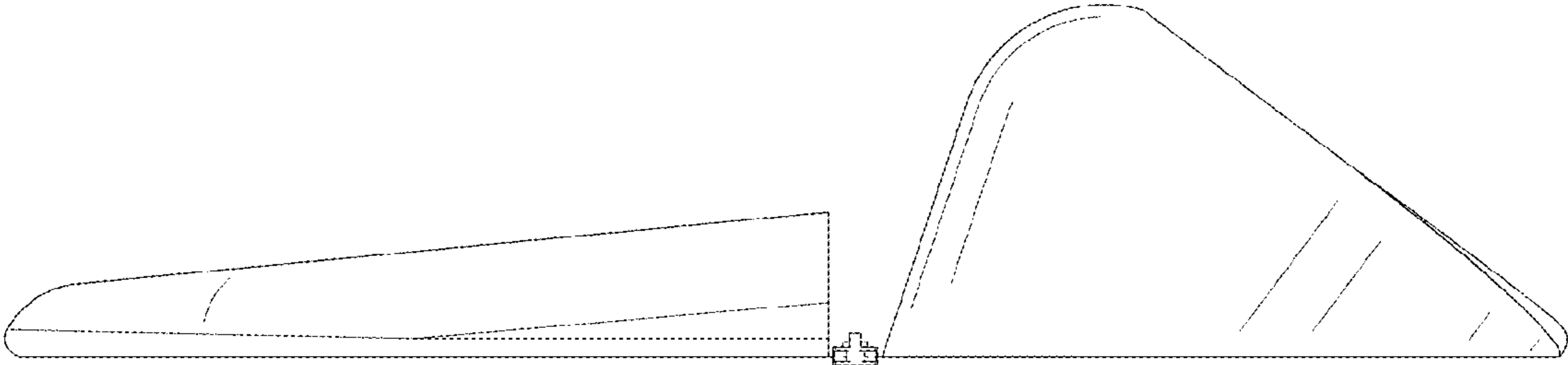


FIG. 5

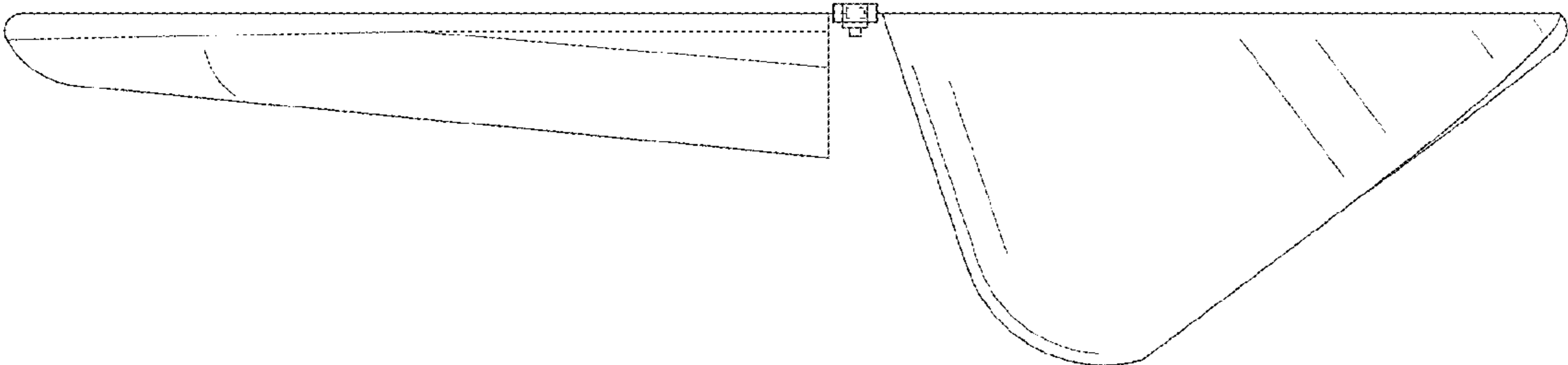


FIG. 6



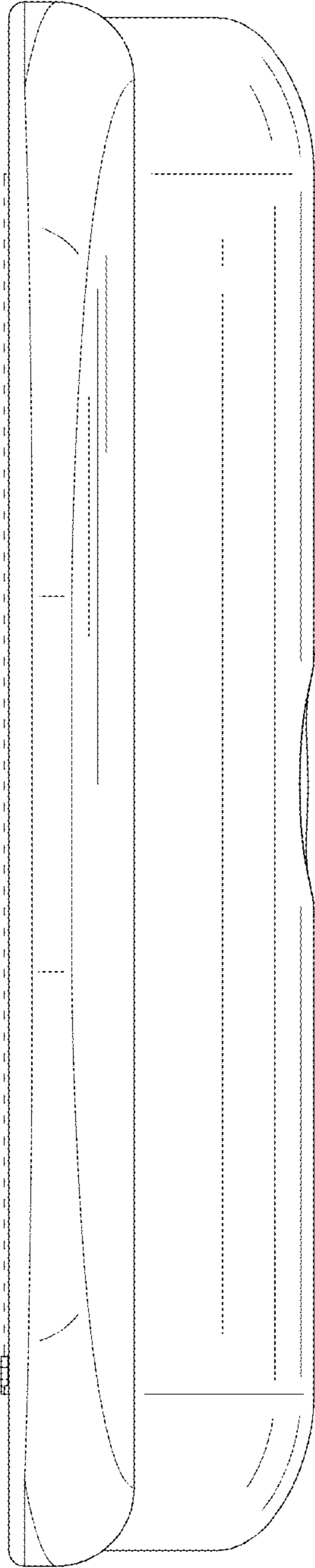


FIG. 7

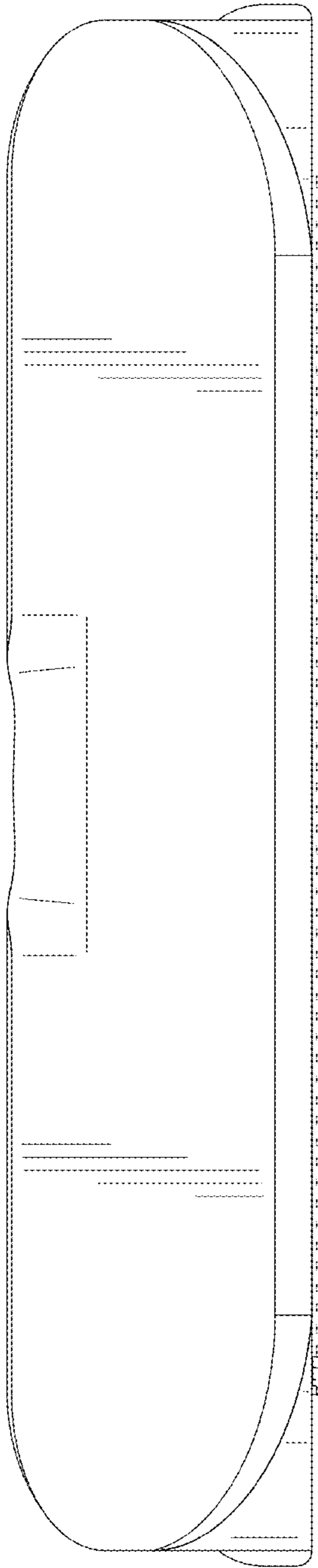


FIG. 8