



US00D982936S

(12) **United States Design Patent**
Lan

(10) **Patent No.:** **US D982,936 S**

(45) **Date of Patent:** **** Apr. 11, 2023**

(54) **FOAM SEAT CUSHION**

(71) Applicant: **SHENZHEN LANTISE TECHNOLOGY CO., LTD.**, Shenzhen (CN)

(72) Inventor: **Gongyao Lan**, Shenzhen (CN)

(73) Assignee: **SHENZHEN LANTISE TECHNOLOGY CO., LTD.**, Shenzhen (CN)

(**) Term: **15 Years**

(21) Appl. No.: **29/814,896**

(22) Filed: **Nov. 10, 2021**

(51) **LOC (14) Cl.** **06-09**

(52) **U.S. Cl.**
USPC **D6/601**

(58) **Field of Classification Search**
USPC D6/595, 596, 597, 601, 604, 716, 716.1, D6/374, 334
CPC A47C 19/00; A47C 23/00; A47C 21/026; A47C 27/00; A47C 27/06; A47C 27/08; A47C 27/081; A47C 27/082; A47G 9/10; A47G 9/1009; A47G 9/1027; A47G 9/1045; A47G 9/1063; A47G 9/1072; A47G 9/1081

See application file for complete search history.

(56) **References Cited**

U.S. PATENT DOCUMENTS

3,222,694	A	*	12/1965	Schick	A47C 7/021
						D6/601
D323,092	S	*	1/1992	Fenner, Sr.	D6/596
D349,201	S	*	8/1994	Sleboda	D6/601
D377,880	S	*	2/1997	Oyama, Jr.	D6/601
D460,300	S	*	7/2002	Fifield	D6/716.1
D462,210	S	*	9/2002	Chou	D6/716.1
D463,701	S	*	10/2002	Borcherding	D6/601
D507,142	S	*	7/2005	Akamatsu	D6/601
D508,812	S	*	8/2005	Kuo	D6/601

D529,324	S	*	10/2006	Yates	D6/601
D529,326	S	*	10/2006	Martin	D6/601
D529,327	S	*	10/2006	Martin	D6/601
D603,643	S	*	11/2009	Keefe	D6/601
D618,030	S	*	6/2010	Wang	D6/601
D690,534	S	*	10/2013	Meldeau	D6/601
D698,586	S	*	2/2014	Davis	D6/601
D722,449	S	*	2/2015	Krishtul	

(Continued)

FOREIGN PATENT DOCUMENTS

CN	307399452	*	6/2022
CN	307590504	*	10/2022

(Continued)

OTHER PUBLICATIONS

Google Search: "therapeutic cushion", [online], [site visited Feb. 9, 2023], Available via Internet, <URL:https://www.google.com/search?q=therapeutic+cushion&sxsrf=AJOqlzU_rXtNdUY5idMBwA4MxNusYdRihQ:1676151570280&source=lnms&tbm=isch&sa=X&ved=2ahUKEwjNsL6Xt479AhVWEIkFHcAjDcUQ_AUoAnoECAEQBA&biw=1920&bih=1057&dpr=1> (Year: 2023).*

(Continued)

Primary Examiner — Sanjeev Paul

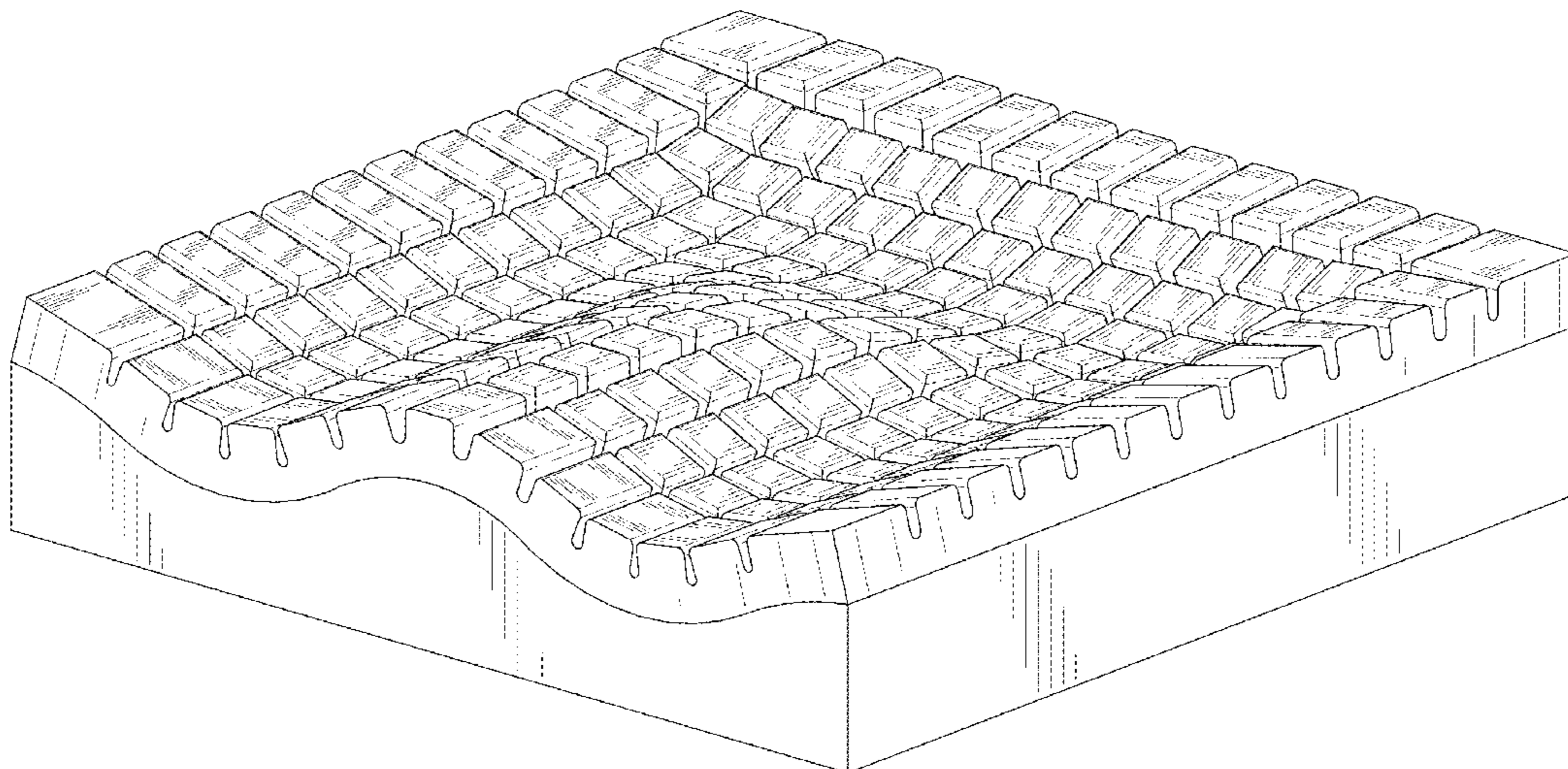
(57) **CLAIM**

The ornamental design for a foam seat cushion, as shown and described.

DESCRIPTION

FIG. 1 is a perspective view of a foam seat cushion showing my new design;
FIG. 2 is a front elevational view thereof;
FIG. 3 is a rear elevational view thereof;
FIG. 4 is a left side elevational view thereof;
FIG. 5 is a right side elevational view thereof;
FIG. 6 is a top plan view thereof; and,
FIG. 7 is a bottom plan view thereof.

1 Claim, 7 Drawing Sheets



(56)

References Cited

U.S. PATENT DOCUMENTS

D724,352 S * 3/2015 Malkiewicz D6/596
 D731,816 S * 6/2015 Edgemon D6/601
 9,332,850 B2 * 5/2016 Krishtul A47C 7/029
 D780,484 S * 3/2017 Goddard D6/601
 D780,485 S * 3/2017 Goddard D6/601
 D782,849 S * 4/2017 Goddard D6/601
 D783,313 S * 4/2017 Trubac D6/601
 D787,859 S * 5/2017 Goddard D6/601
 D787,860 S * 5/2017 Goddard D6/601
 D789,118 S * 6/2017 Kim D6/601
 D805,323 S * 12/2017 Chan D6/601
 D818,289 S * 5/2018 Facco D6/601
 D818,290 S * 5/2018 Facco D6/601
 D828,054 S * 9/2018 Chen D6/601
 D846,306 S * 4/2019 Bellot D6/592
 D850,156 S 6/2019 Chen
 D863,822 S * 10/2019 Chen D6/601
 D876,125 S * 2/2020 Bellot D6/601
 D898,439 S * 10/2020 Luo D6/601
 D898,441 S * 10/2020 Bellot D6/601
 D898,442 S * 10/2020 Bellot D6/601
 D903,377 S * 12/2020 Yin D6/601
 D907,400 S * 1/2021 Federl D6/601
 D908,394 S * 1/2021 Yin D6/601
 D909,092 S * 2/2021 Pearce D6/601
 D923,970 S * 7/2021 He D6/601
 D924,601 S * 7/2021 Lian D6/601
 D933,398 S * 10/2021 Bellot D6/601

D935,224 S * 11/2021 Wang D6/601
 D935,225 S * 11/2021 Wang D6/601
 D944,562 S * 3/2022 Cai D6/601
 D955,513 S * 6/2022 Zhou D21/688
 D976,614 S * 1/2023 Dowd D6/601
 2010/0314929 A1 * 12/2010 Hsu A47C 27/146
 2013/0198961 A1 * 8/2013 Davis A47C 7/029
 297/452.48
 5/648

FOREIGN PATENT DOCUMENTS

GB 6152906 * 8/2021
 JP D1709400 * 3/2022
 JP D1721545 * 8/2022
 JP D1724217 * 9/2022

OTHER PUBLICATIONS

Google Search: "foam cushion", [online], [site visited Feb. 11, 2023]. Available via Internet, <URL:https://www.google.com/search?q=foam+cushion&sxsrf=AJOqlzV29R-uAJ019D11ln-pa4AGoVyFPA:1676151658465&source=lnms&tbm=isch&sa=X&ved=2ahUKEwi53sTBt479AhVSEIkFHRdlB6kQ_AUoAnoECAEQBA&biw=1920&bih=1057&dpr=1> (Year: 2023).
 Lantise (company homepage): dated unknown, [online], [site visited Feb. 9, 2023], Available via Internet, <URL:http://www.szlantise.com/english/> (Year: 2023).*

* cited by examiner

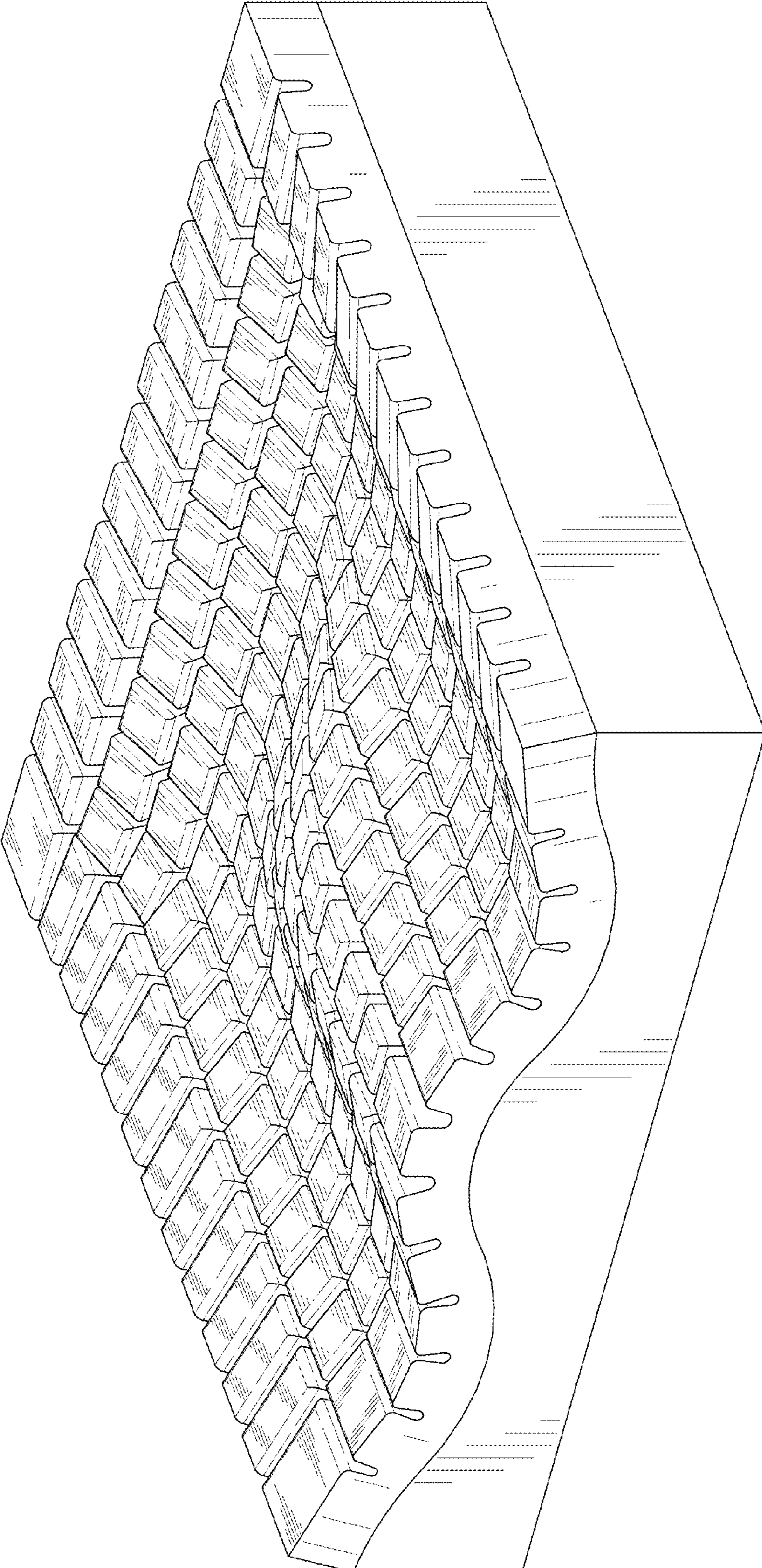


FIG. 1

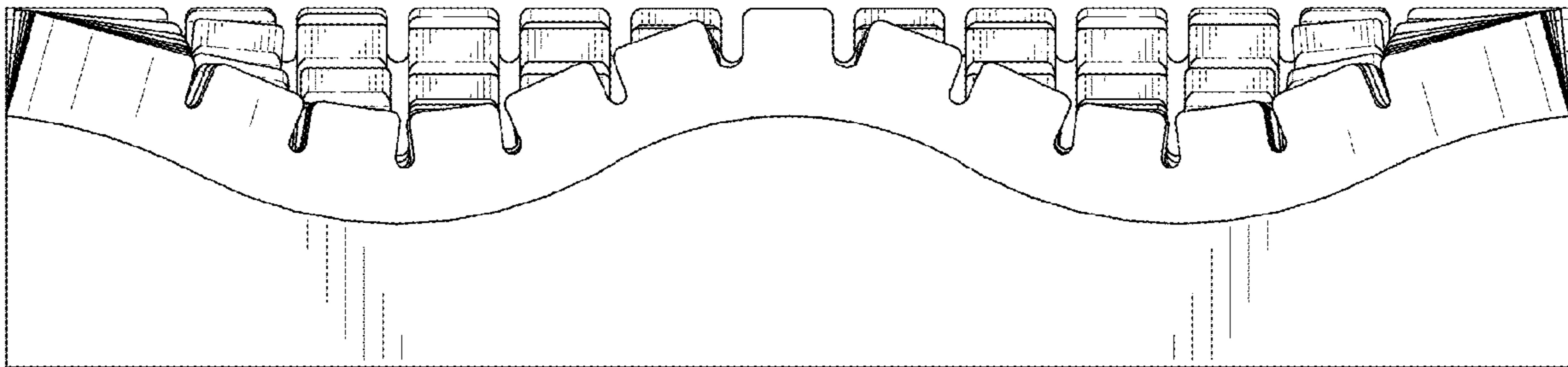


FIG. 2

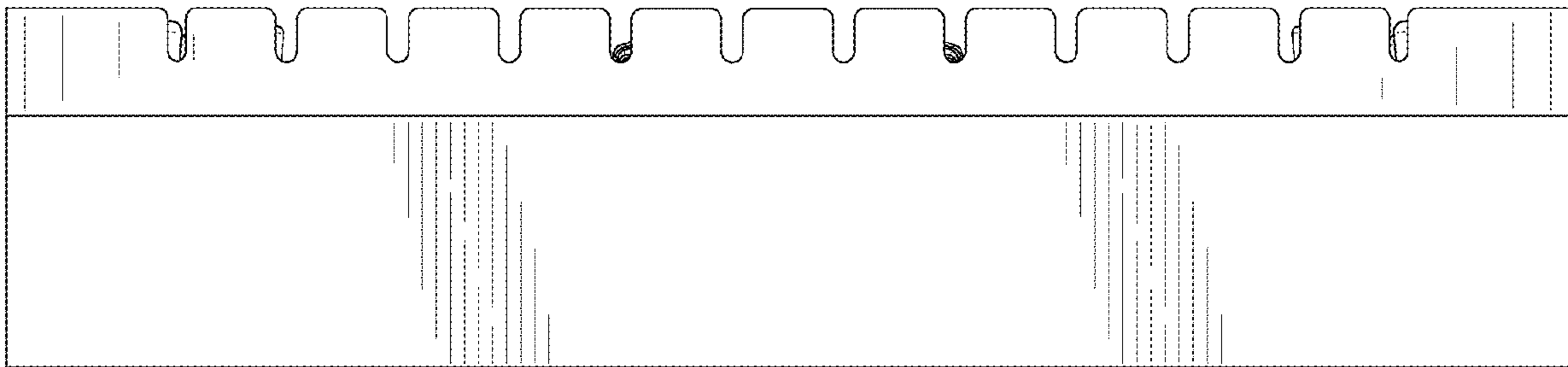


FIG. 3

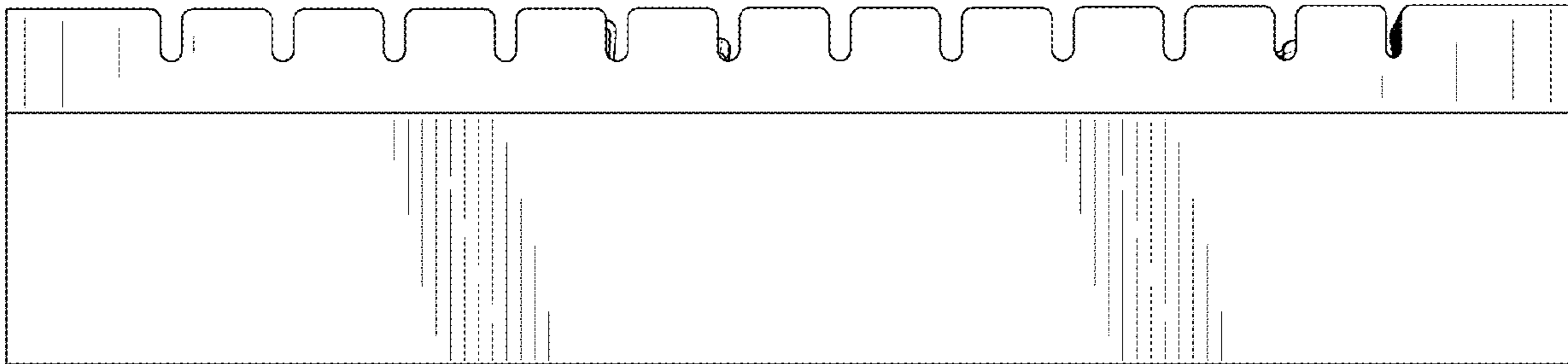


FIG. 4

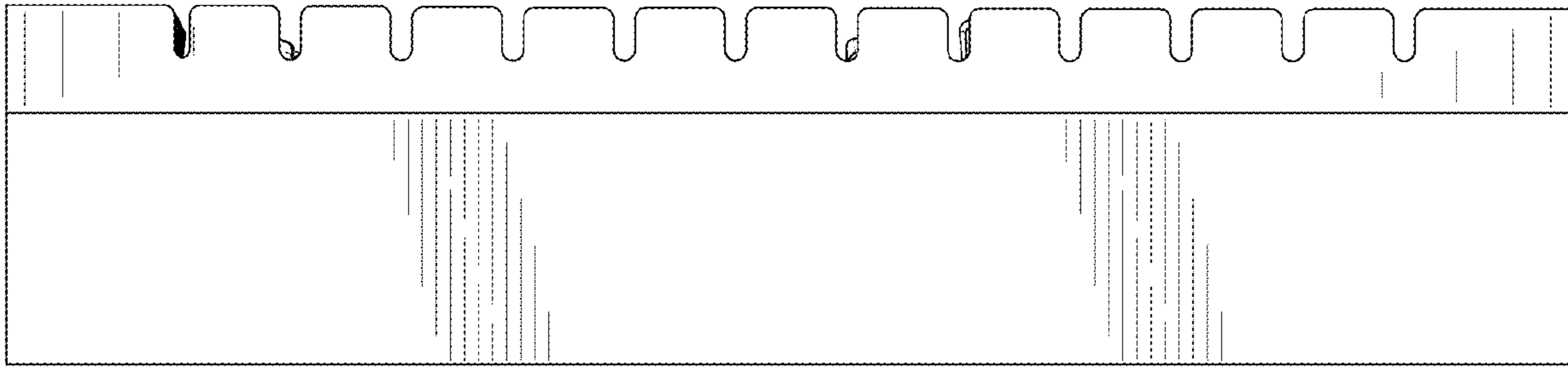


FIG. 5

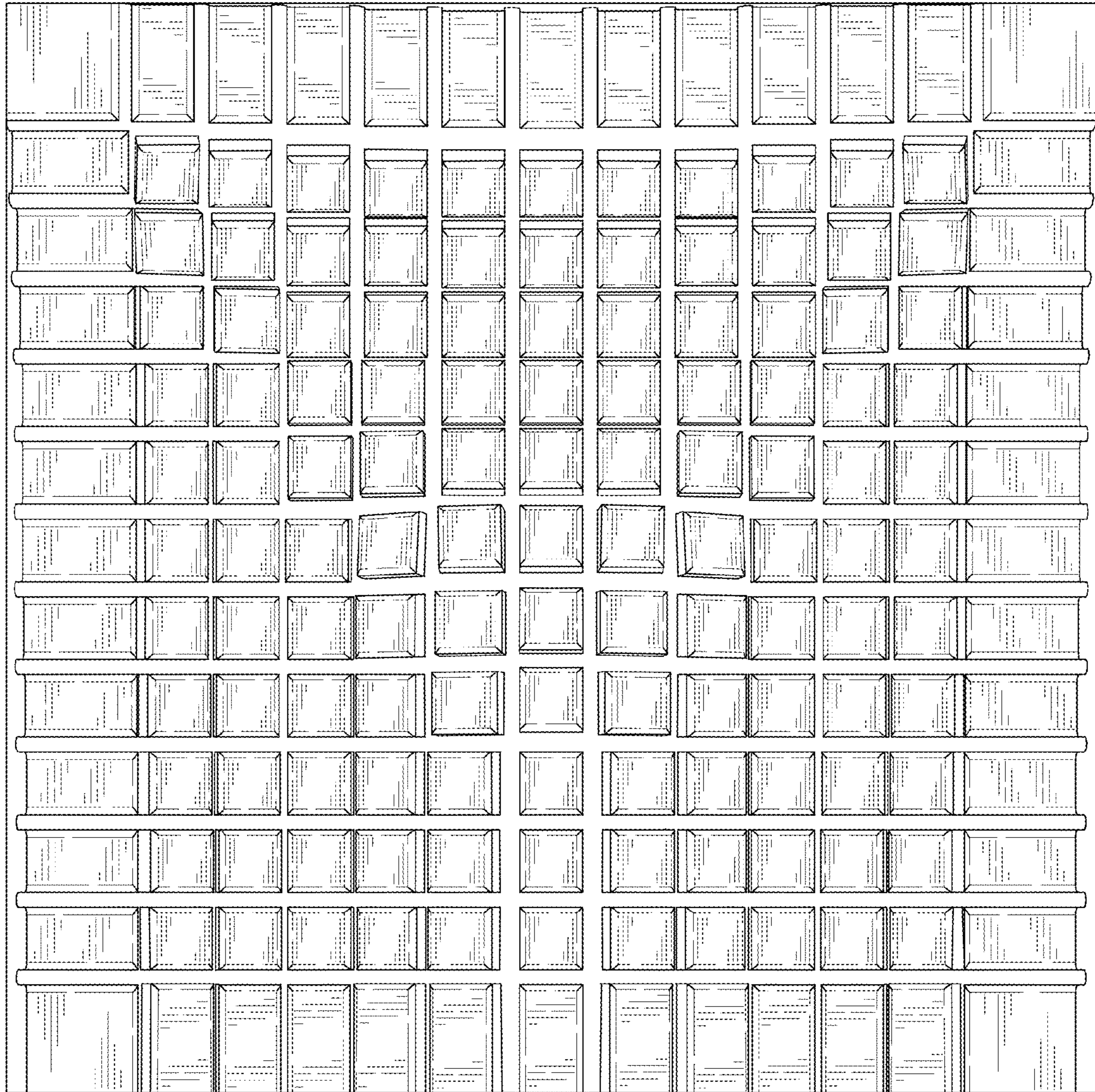


FIG. 6



FIG. 7