



US00D982932S

(12) **United States Design Patent**  
**Lauritzen et al.**

(10) **Patent No.:** **US D982,932 S**  
(45) **Date of Patent:** **\*\* Apr. 11, 2023**

(54) **BATHROOM SHELF**

(71) Applicant: **F & H A/S**, Viborg (DK)

(72) Inventors: **Morten Lauritzen**, Aarhus (DK); **Hugo Dines Schmidt**, Aarhus (DK)

(\*\*) Term: **15 Years**

(21) Appl. No.: **35/512,207**

(22) Filed: **Jun. 24, 2021**

(80) **Hague Agreement Data**

Int. Filing Date: **Jun. 24, 2021**

Int. Reg. No.: **DM/215260**

Int. Reg. Date: **Jun. 24, 2021**

Int. Reg. Pub. Date: **Jul. 23, 2021**

(51) **LOC (14) Cl.** ..... **23-08**

(52) **U.S. Cl.**  
USPC ..... **D6/574**

(58) **Field of Classification Search**  
USPC ..... D6/512, 524, 536, 540, 553, 567, 574,  
D6/672, 673, 705  
CPC .. A47F 5/00; A47F 5/0043; A47F 5/08; A47F  
7/00  
See application file for complete search history.

(56) **References Cited**

**U.S. PATENT DOCUMENTS**

D248,702 S \* 8/1978 Baldini ..... D6/574  
D267,059 S \* 11/1982 Thompson ..... D6/574

D477,479 S \* 7/2003 Henderson ..... D6/705  
D607,253 S \* 1/2010 McCammon ..... D6/553  
D612,180 S \* 3/2010 Mayer ..... D6/524  
D620,736 S \* 8/2010 Baello ..... D6/574  
D808,199 S \* 1/2018 Fitzgerald ..... D6/675.1  
D931,665 S \* 9/2021 Gady ..... D6/682.1

\* cited by examiner

*Primary Examiner* — Mary Ann Calabrese

(74) *Attorney, Agent, or Firm* — Cantor Colburn LLP

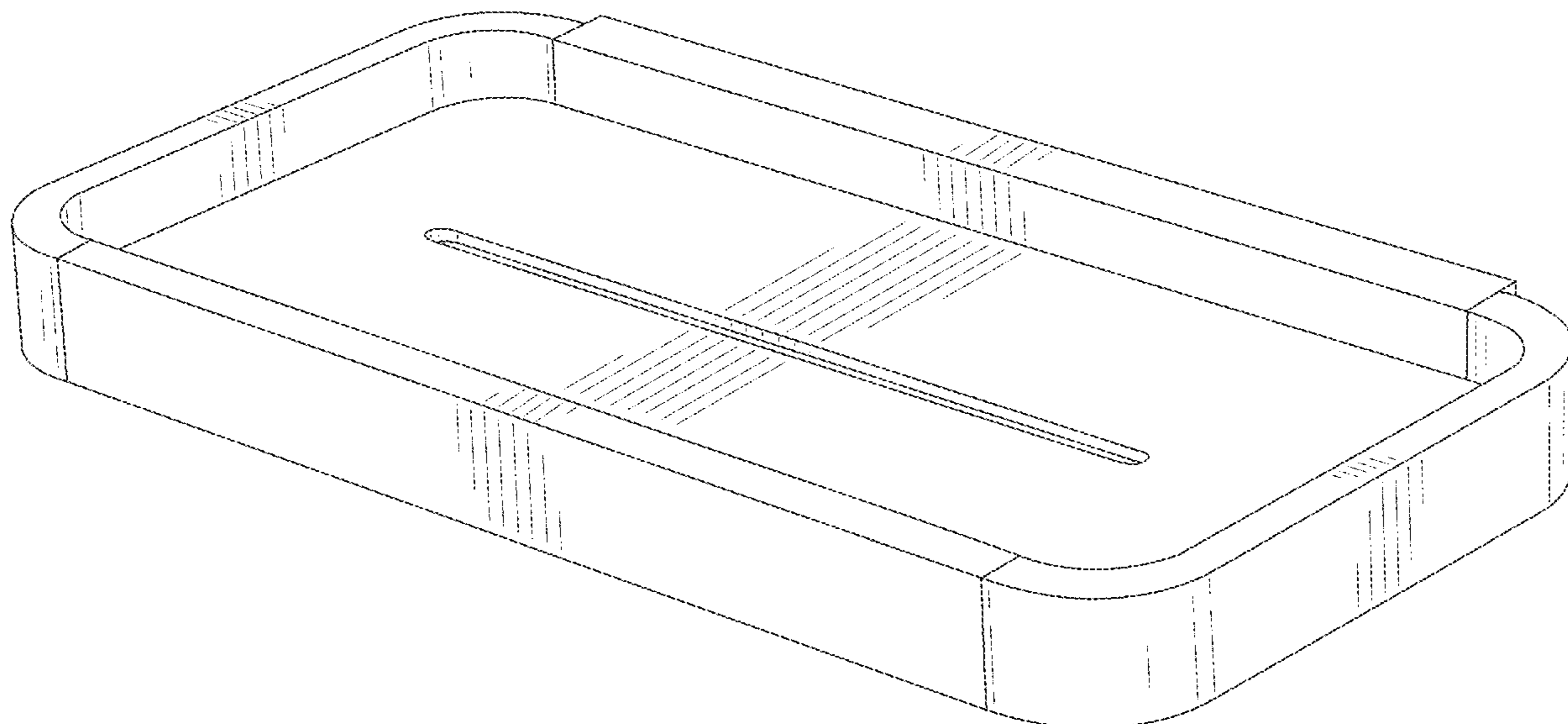
(57) **CLAIM**

The ornamental design for a bathroom shelf, as shown and described.

**DESCRIPTION**

- 1. Bathroom shelf
- Fig. 1.1. : Front Perspective
- Fig. 1.2. : Front
- Fig. 1.3. : Back
- Fig. 1.4. : Left
- Fig. 1.5. : Right
- Fig. 1.6. : Top
- Fig. 1.7. : Bottom
- Fig. 1.8. : Back Perspective

**1 Claim, 6 Drawing Sheets**



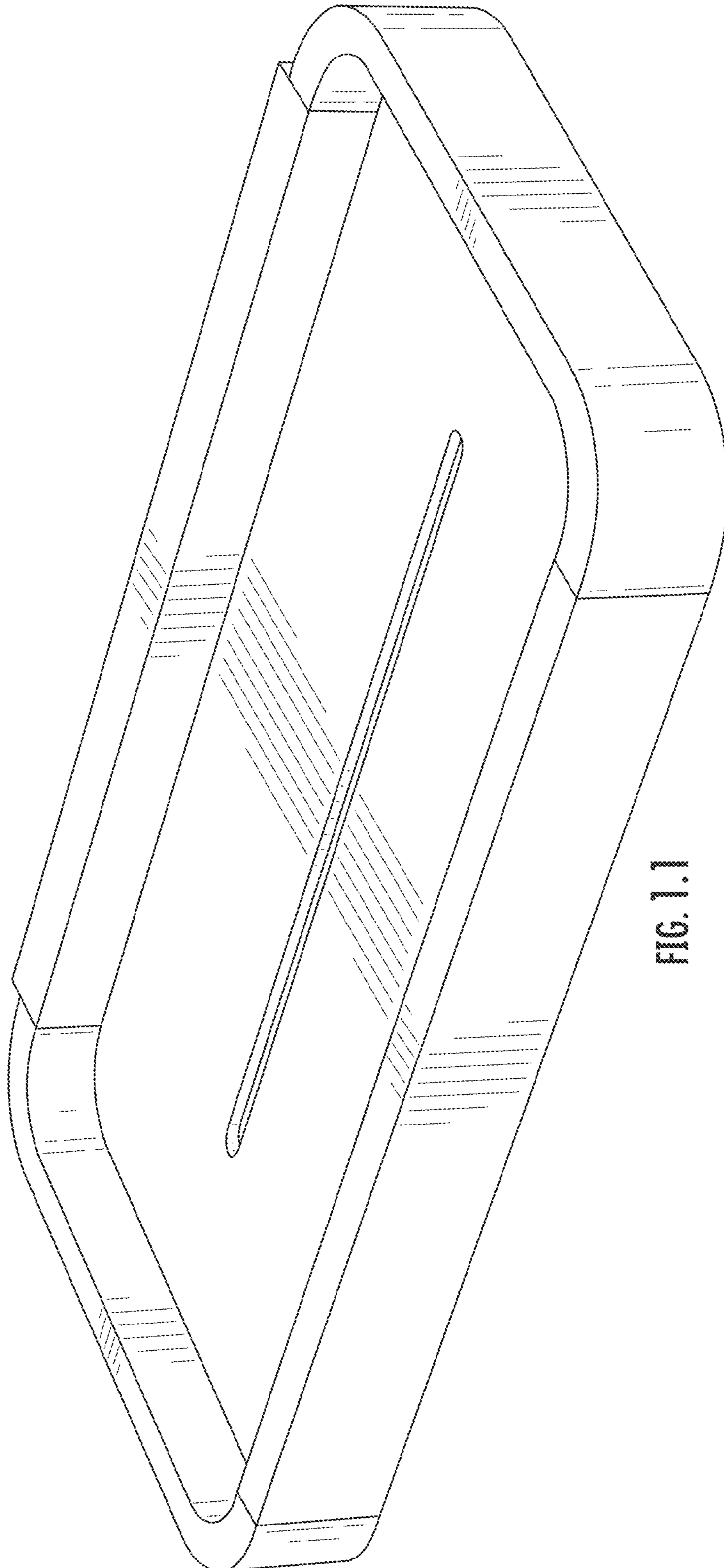


FIG. 1.1

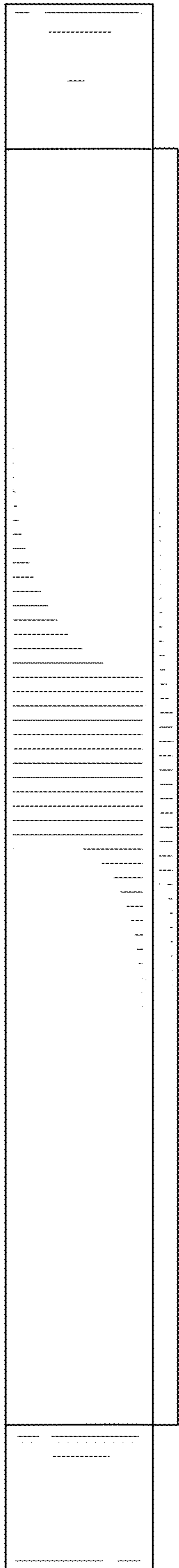


FIG. 1.2

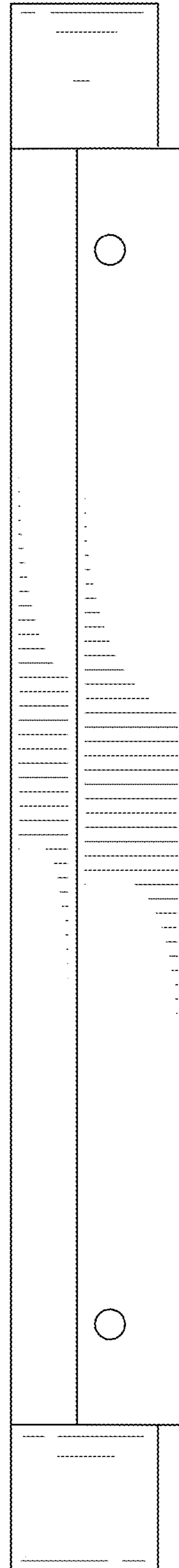


FIG. 1.3

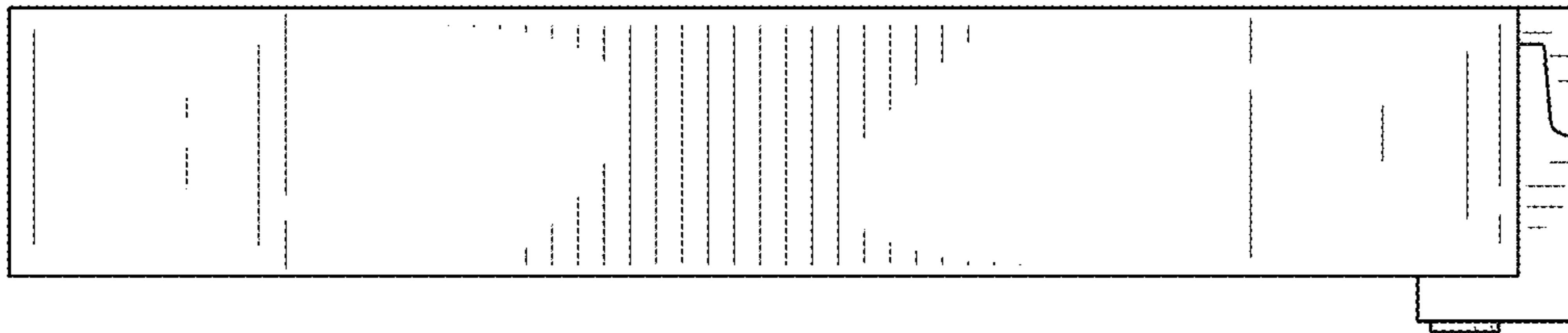


FIG. 1.4

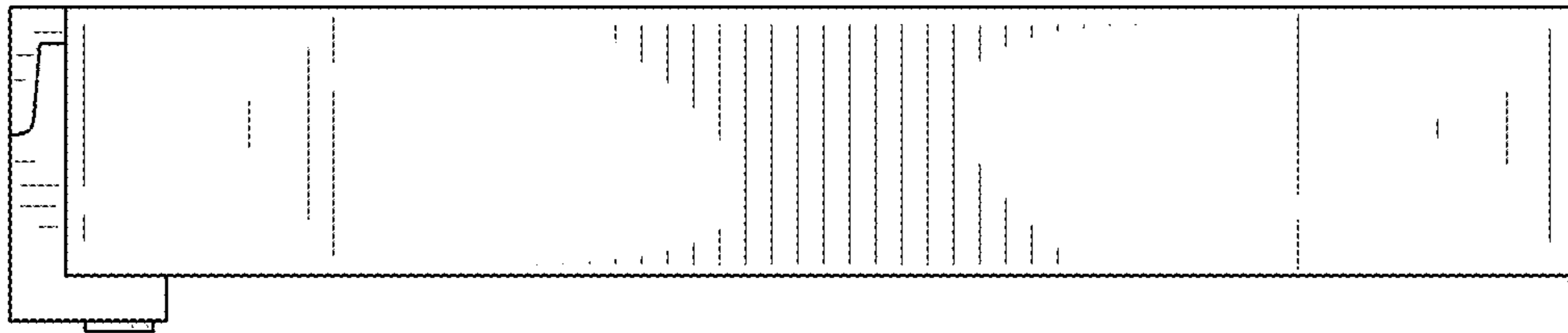


FIG. 1.5

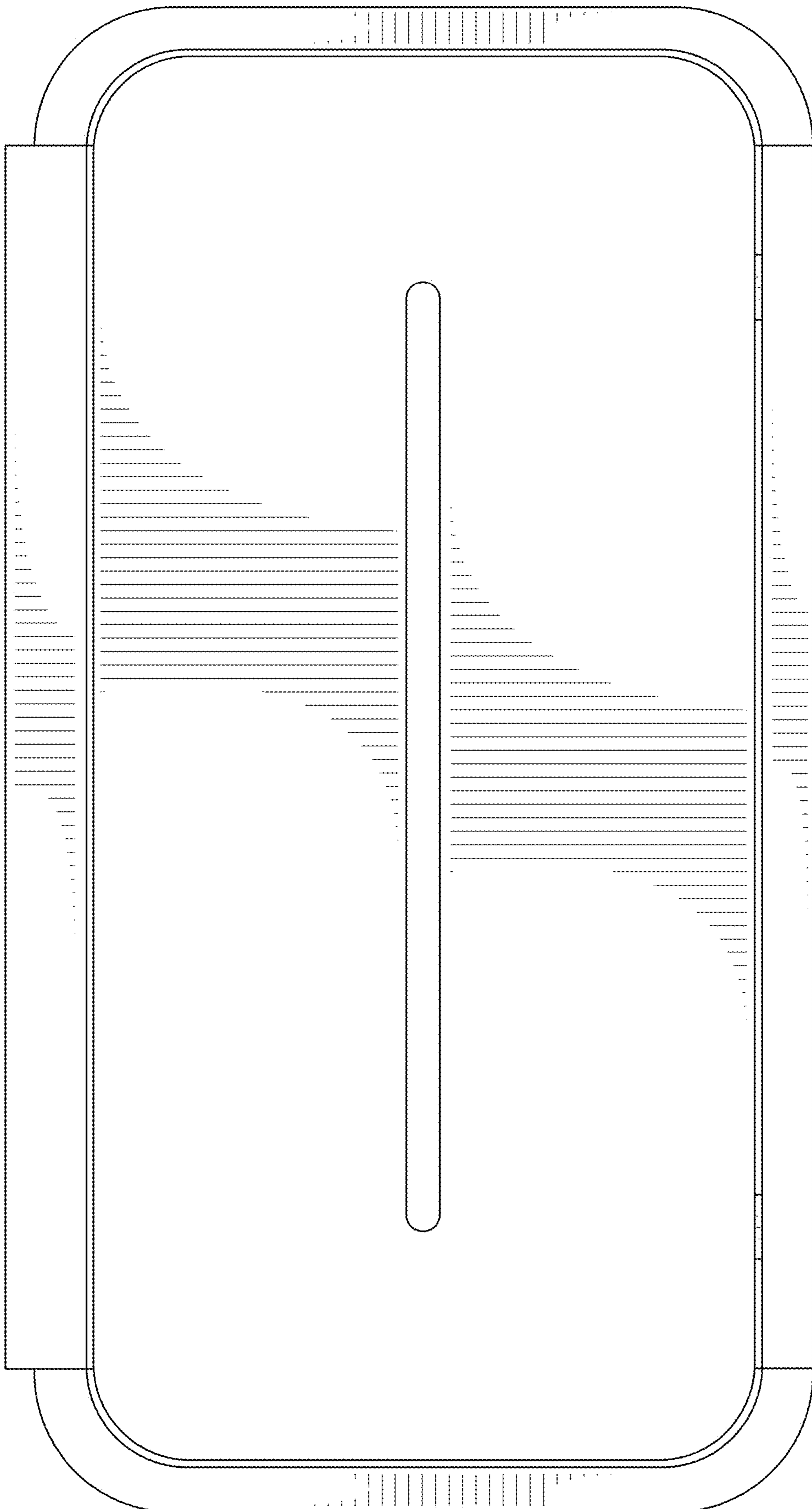


FIG. 1.6

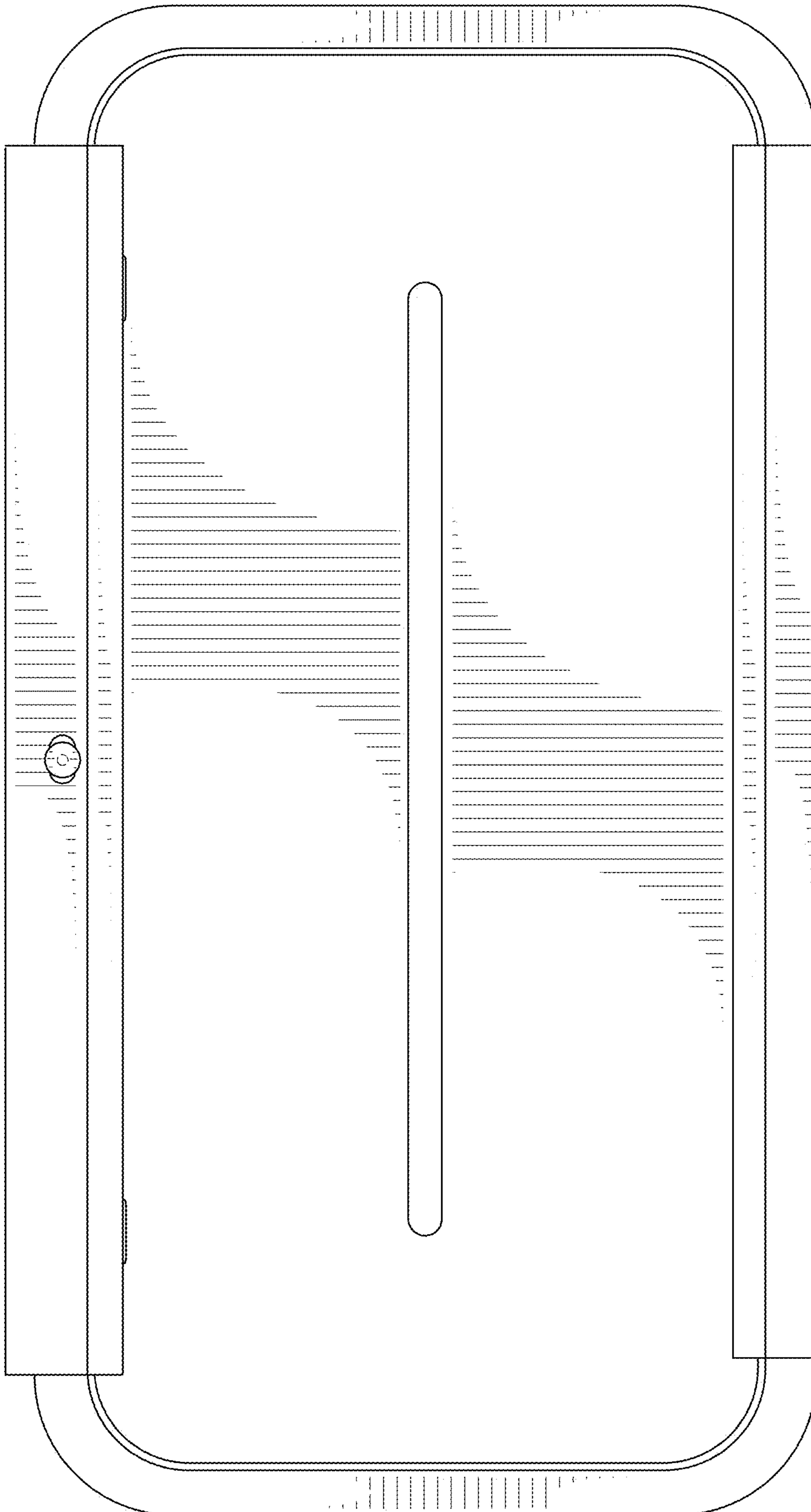


FIG. 1.7



