



US00D982931S

(12) **United States Design Patent**
Yu

(10) **Patent No.:** **US D982,931 S**
(45) **Date of Patent:** **** Apr. 11, 2023**

(54) **SHELF UNIT**

(71) Applicant: **Shenzhen Huaguan Technology Co., Ltd., Shenzhen (CN)**

(72) Inventor: **Xian Yu, Xiantao (CN)**

(73) Assignee: **Shenzhen Huaguan Technology Co., Ltd., Shenzhen (CN)**

(**) Term: **15 Years**

(21) Appl. No.: **29/881,919**

(22) Filed: **Jan. 9, 2023**

(51) **LOC (14) Cl.** **08-08**

(52) **U.S. Cl.**
USPC **D6/566**

(58) **Field of Classification Search**
USPC D6/512, 513, 525, 540, 553, 563-567, D6/570-574
CPC . A47K 1/09; A47K 3/001; A47K 3/28; A47K 3/281; A47K 3/286; A47K 5/00; A47K 5/02-04; A47K 5/18; A47K 10/08; A47K 17/00; A47K 2201/00; A47K 2201/025; A47B 57/26; A47B 57/265; A47B 57/565
See application file for complete search history.

(56) **References Cited**

U.S. PATENT DOCUMENTS

D554,419 S *	11/2007	Thompson	D6/566
D584,056 S *	1/2009	Ghiorghie	D6/513
D622,527 S	8/2010	Wang		
D628,385 S *	12/2010	Klein	D6/513
D628,388 S *	12/2010	Klein	D3/318
D711,736 S *	8/2014	Strom	D9/416
D717,070 S *	11/2014	Callif	D6/567
D720,538 S *	1/2015	Goodman	D3/304
D757,457 S *	5/2016	Guindi	D6/513
D779,232 S *	2/2017	Pan	D6/524

D878,098 S *	3/2020	Goodman	D6/566
D955,136 S *	6/2022	Qiu	D6/566
D965,340 S *	10/2022	Wang	D6/525
D970,249 S *	11/2022	Wang	D6/525
D971,631 S *	12/2022	Dai	D6/525
D972,860 S *	12/2022	Zhou	D6/525

FOREIGN PATENT DOCUMENTS

EM 015008256-0001 * 1/2023

OTHER PUBLICATIONS

Kincmax Shower Caddy Bathroom Shelf, No Drilling Traceless Adhesive Bathroom Storage Organizer, SUS304 Rustproof Food Storage Basket, 2-in-1 Kitchen Spice Racks—2 Pack (Matte Black) <https://a.co/d/2740DpU>, TinEye: Aug. 29, 2020 (Year: 2020).*
ODesign Shower Caddy Basket Shelf for Shampoo Conditioner Bathroom Kitchen Storage Organizer SUS304 Stainless Steel No Drilling—Black <https://a.co/d/55Ng6GY>, Mar. 11, 2020 (Year: 2020).*

* cited by examiner

Primary Examiner — Jennifer L Rempfer
Assistant Examiner — Bethany Louise Mallino

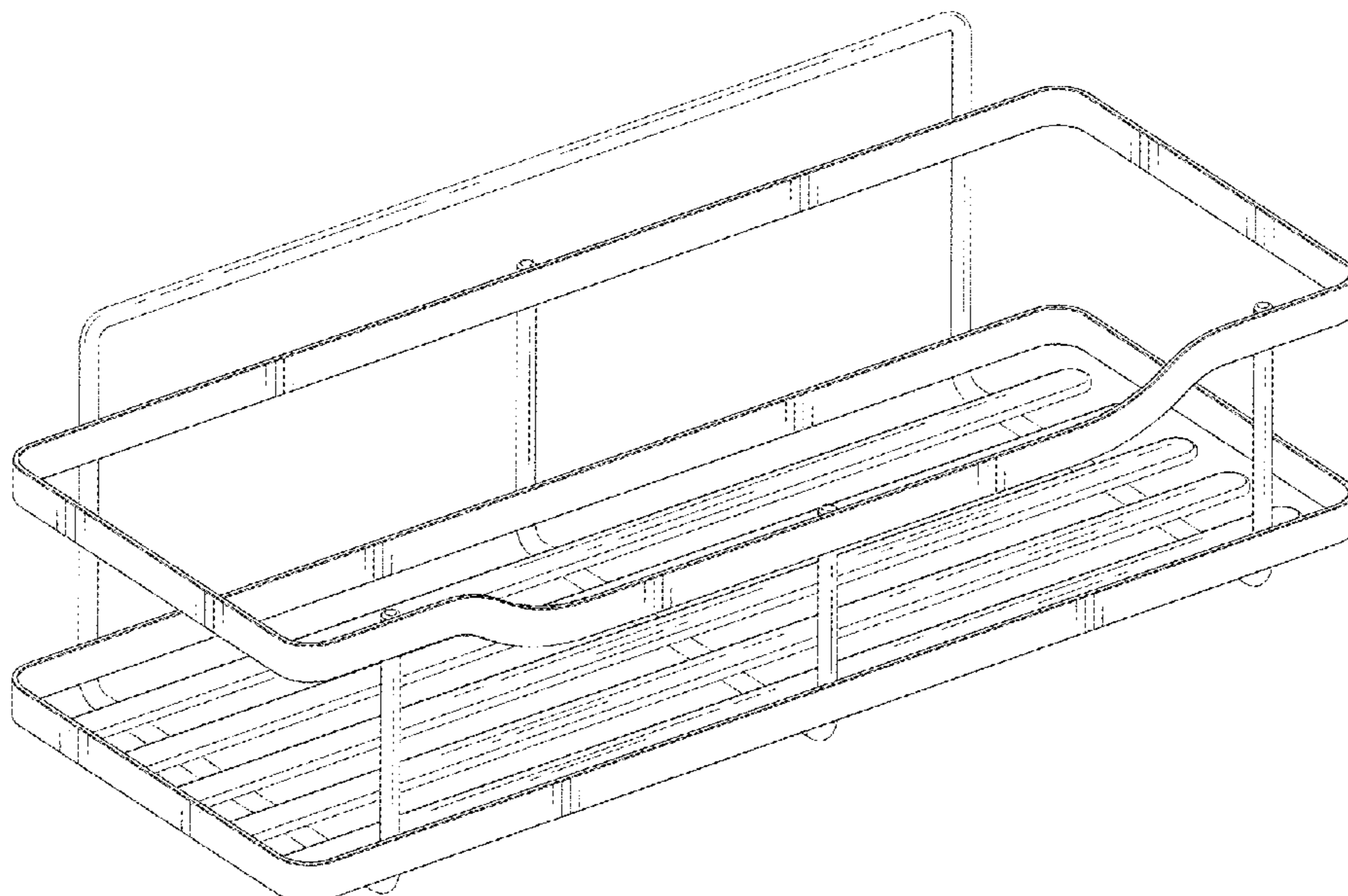
(57) **CLAIM**

The ornamental design for a shelf unit, as shown and described.

DESCRIPTION

FIG. 1 is a front perspective view of a shelf unit, showing my new design;
FIG. 2 is a rear perspective view thereof;
FIG. 3 is a front view thereof;
FIG. 4 is a rear view thereof;
FIG. 5 is a left side view thereof;
FIG. 6 is a right side view thereof;
FIG. 7 is a top view thereof; and,
FIG. 8 is a bottom view thereof.

1 Claim, 8 Drawing Sheets



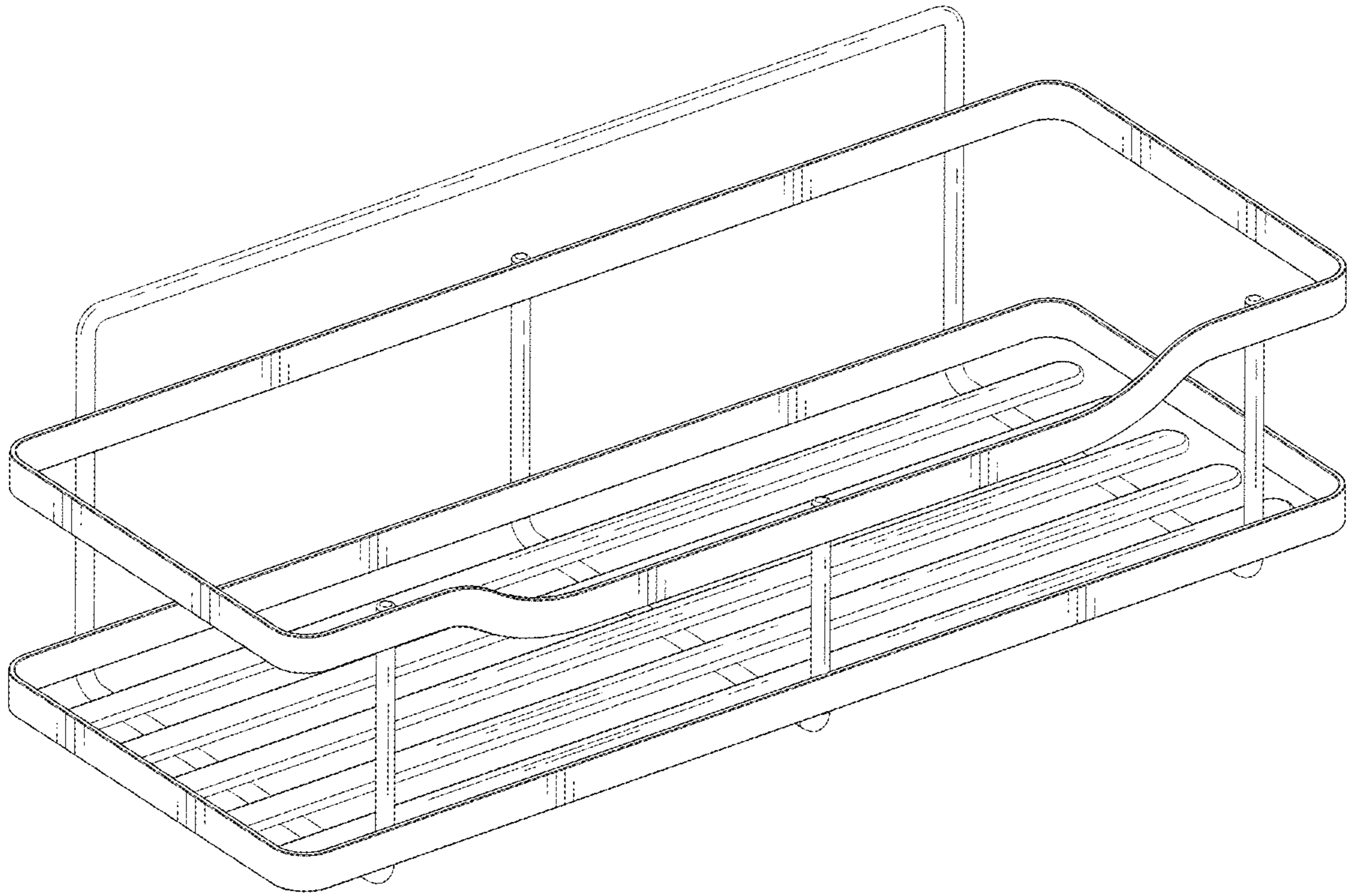


FIG. 1

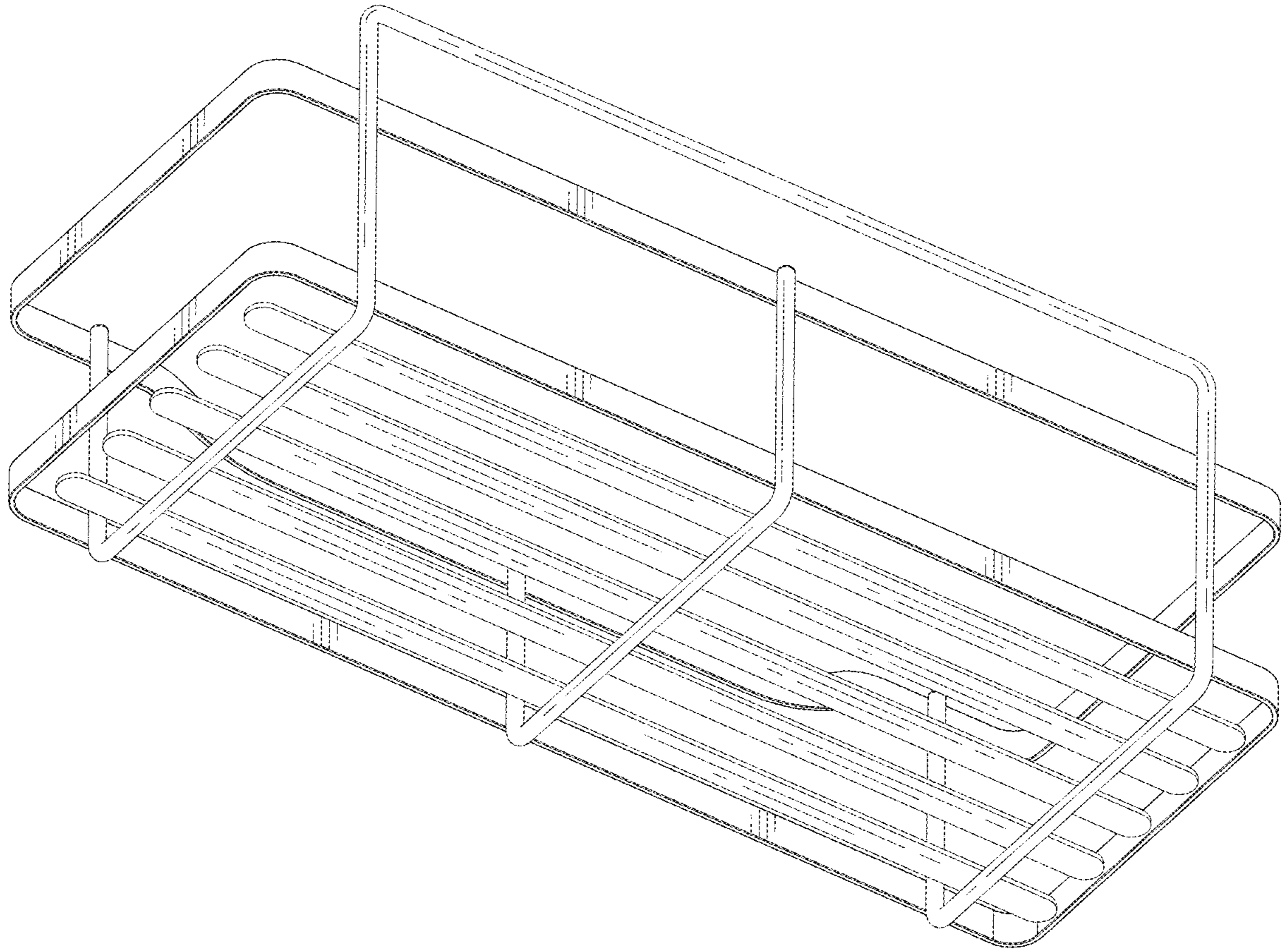


FIG. 2

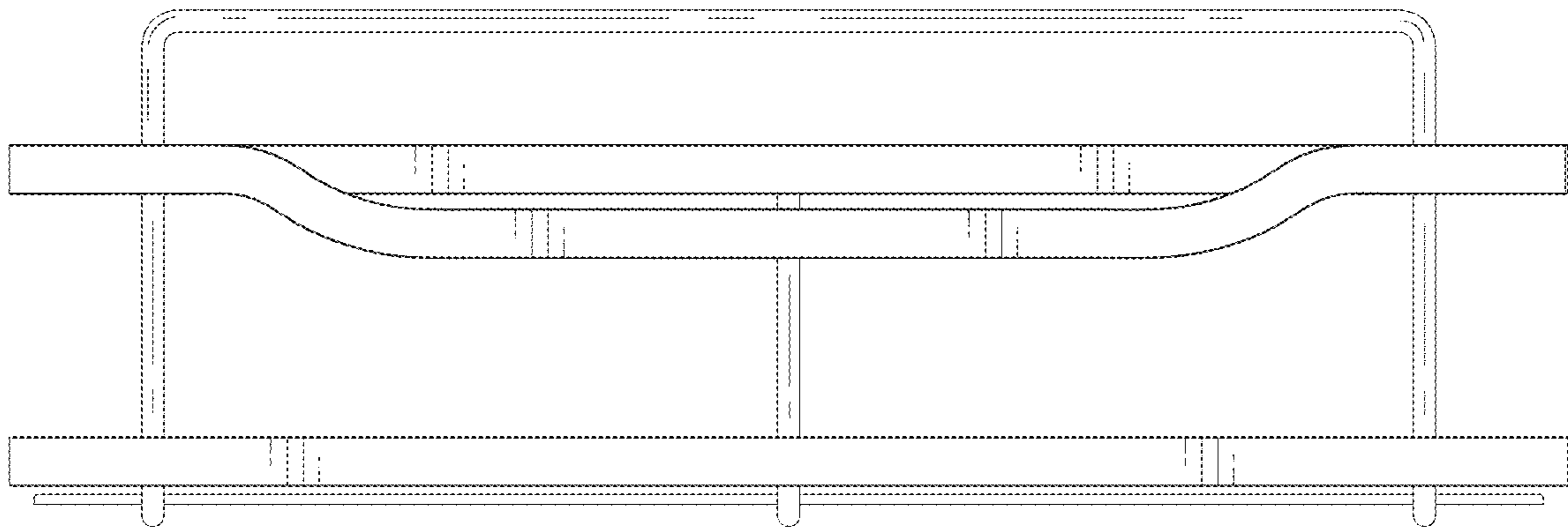


FIG. 3

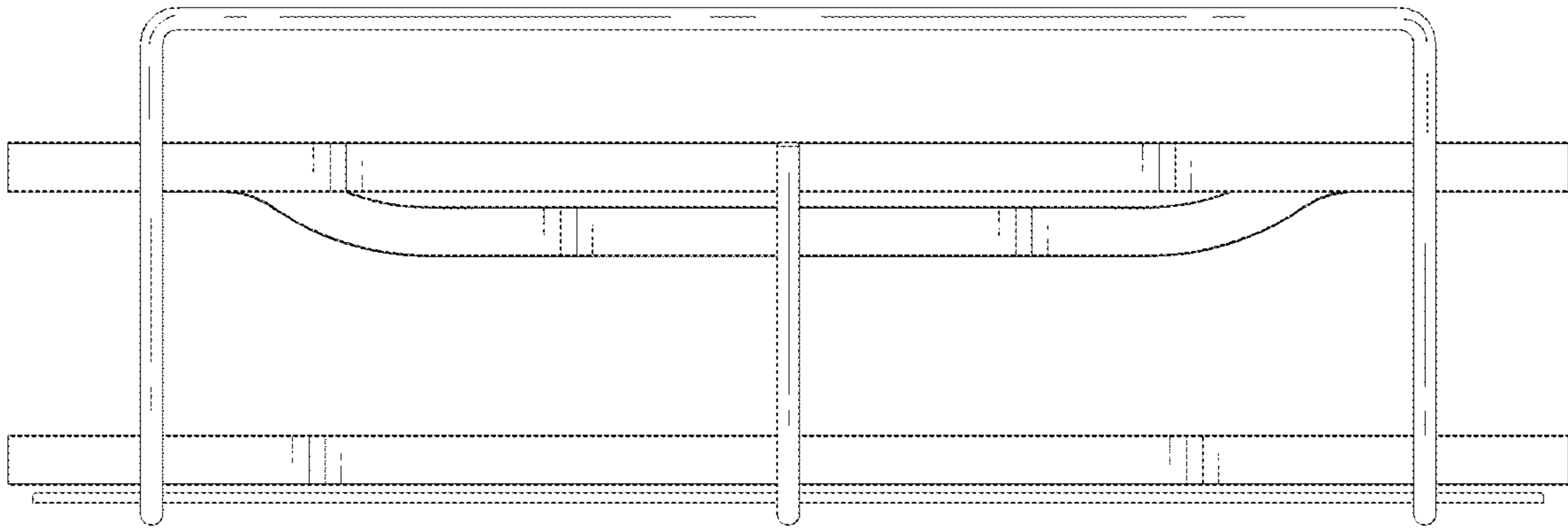


FIG. 4

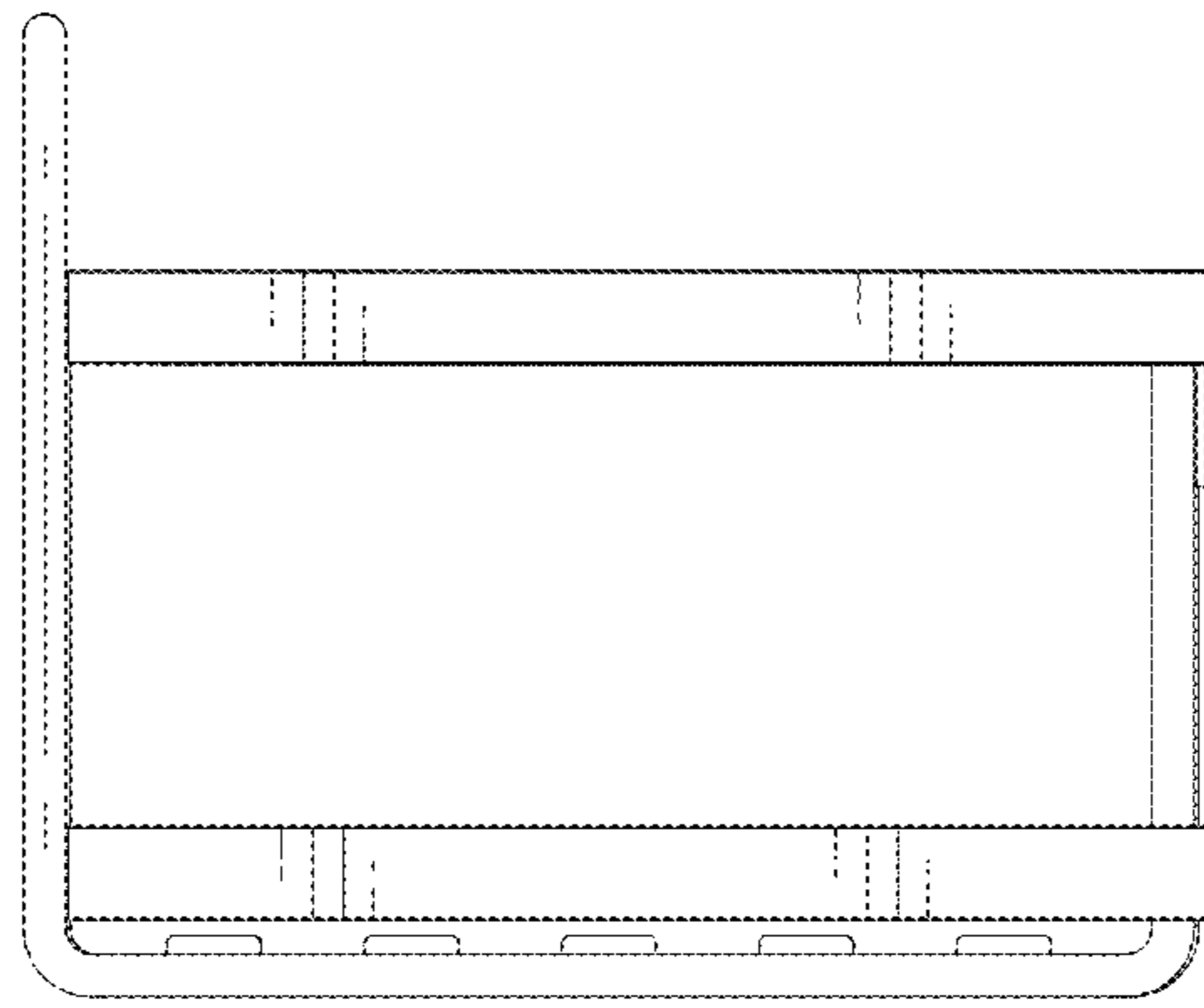


FIG. 5

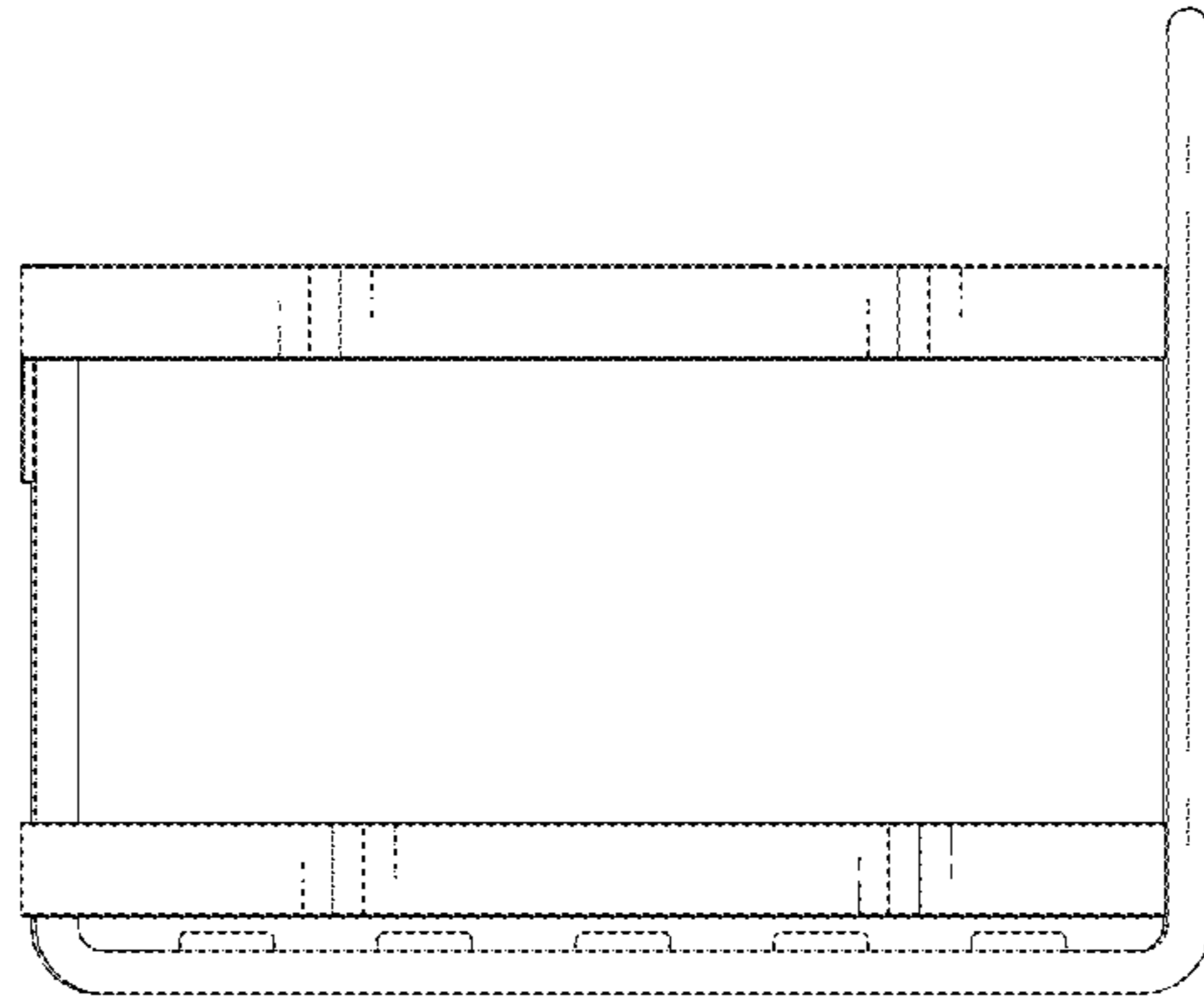


FIG. 6

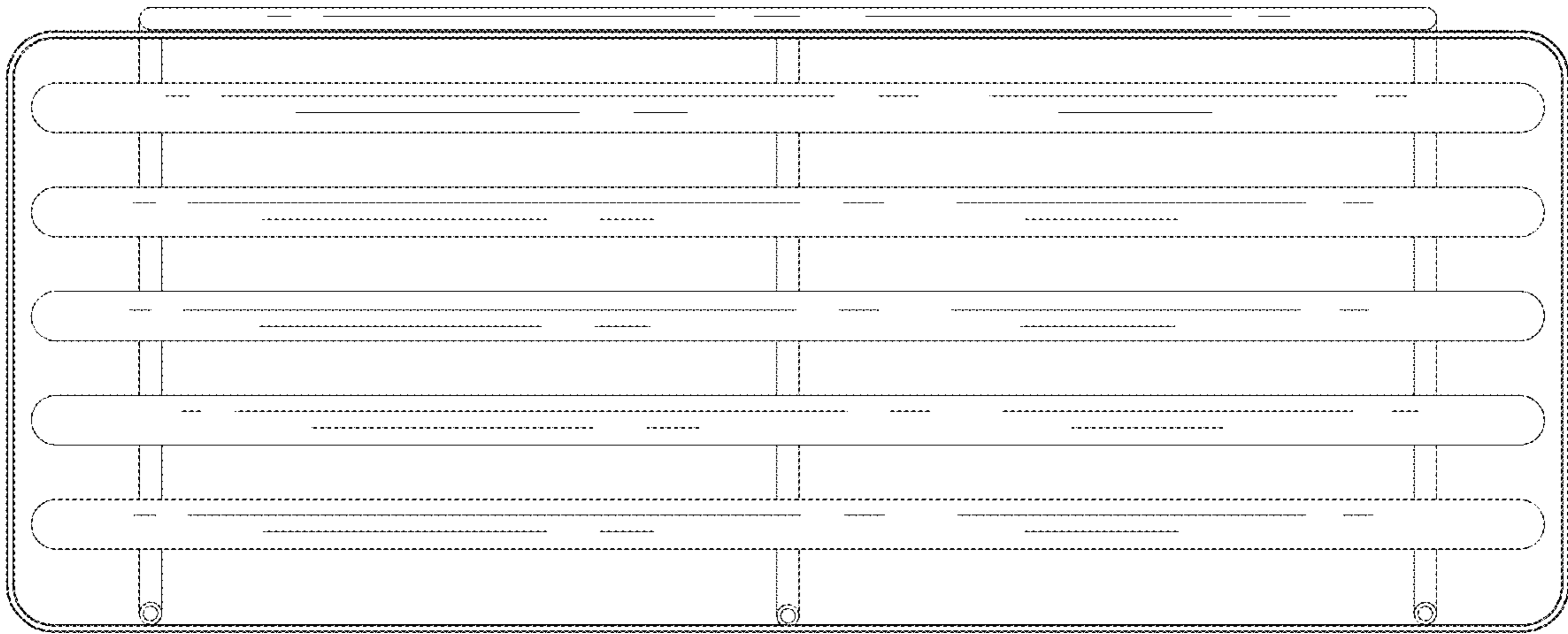


FIG. 7

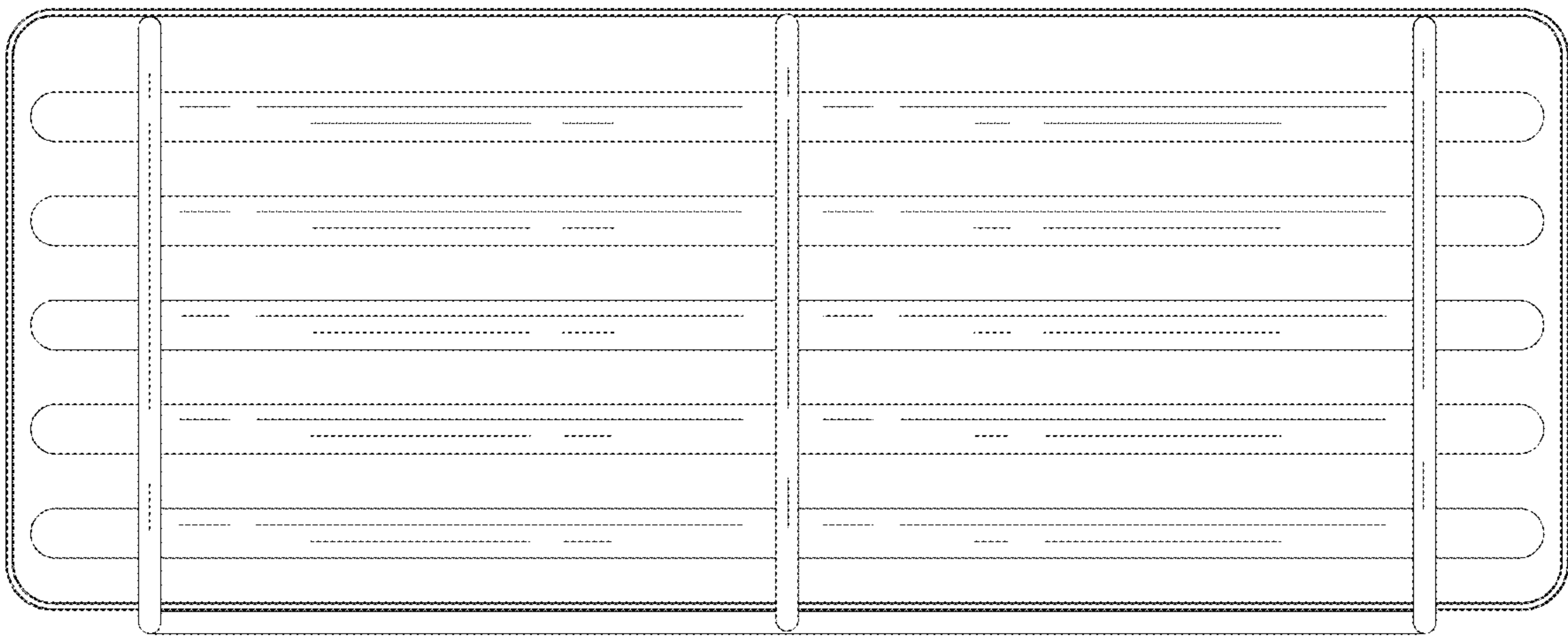


FIG. 8