



US00D982929S

(12) **United States Design Patent**
Lang et al.

(10) **Patent No.:** **US D982,929 S**
(45) **Date of Patent:** **** Apr. 11, 2023**

(54) **DISPENSER**
(71) Applicant: **Deb IP Limited**, Derbyshire (GB)
(72) Inventors: **Christopher James Lang**, Nottinghamshire (GB); **Dean Philip Limbert**, Derbyshire (GB); **James John May**, Kenilworth (GB); **Martin Crofton**, Solihull (GB); **Richard Brian Clough**, Pedmore Stourbridge (GB); **Grace McAlpine Kane**, Warwick (GB)

D392,137 S * 3/1998 Vignot D6/545
5,996,851 A * 12/1999 Dolan A47K 5/1209
222/181.3
D431,404 S * 10/2000 Brazis D6/545
D479,422 S * 9/2003 Ciavarella D6/545
D480,247 S * 10/2003 Ciavarella D6/545
6,772,916 B1 * 8/2004 Reynolds A47K 5/1202
222/153.04
D495,547 S * 9/2004 Reynolds D6/545

(Continued)

FOREIGN PATENT DOCUMENTS

(73) Assignee: **S. C. JOHNSON & SON, INC.**, Racine, WI (US)

EM 001012223-0001 S 10/2008
EM 001026199-0001 S 10/2008

(Continued)

(**) Term: **15 Years**

Primary Examiner — Nathan M Johnston

(21) Appl. No.: **29/810,682**

(74) *Attorney, Agent, or Firm* — Quarles & Brady LLP

(22) Filed: **Oct. 7, 2021**

(51) **LOC (14) Cl.** **23-02**

(52) **U.S. Cl.**
USPC **D6/545**

(57) **CLAIM**

(58) **Field of Classification Search**
USPC D6/515, 522, 542, 512, 518, 520, 524,
D6/543, 544, 545; 206/233, 389, 401,
206/77.1, 581, 225, 229; 211/45, 48,
211/88.04, 119.009, 85.12; 221/26, 208,
221/282, 283

The ornamental design for a dispenser, as shown and described.

DESCRIPTION

CPC . A47F 1/085; A47F 7/163; A47F 7/16; B65H 75/141; B65D 83/267; B65D 23/003; B65D 83/40; B65D 77/065; B65D 35/242; B65D 85/672; B65D 83/08; B65D 83/05; B65D 85/04; B67D 3/0029; B67D 1/07; A47K 5/1217; A47K 5/02; A47K 10/025; A47K 10/10; A47K 10/04; A47K 1/09; A47K 17/003; A61C 5/06
See application file for complete search history.

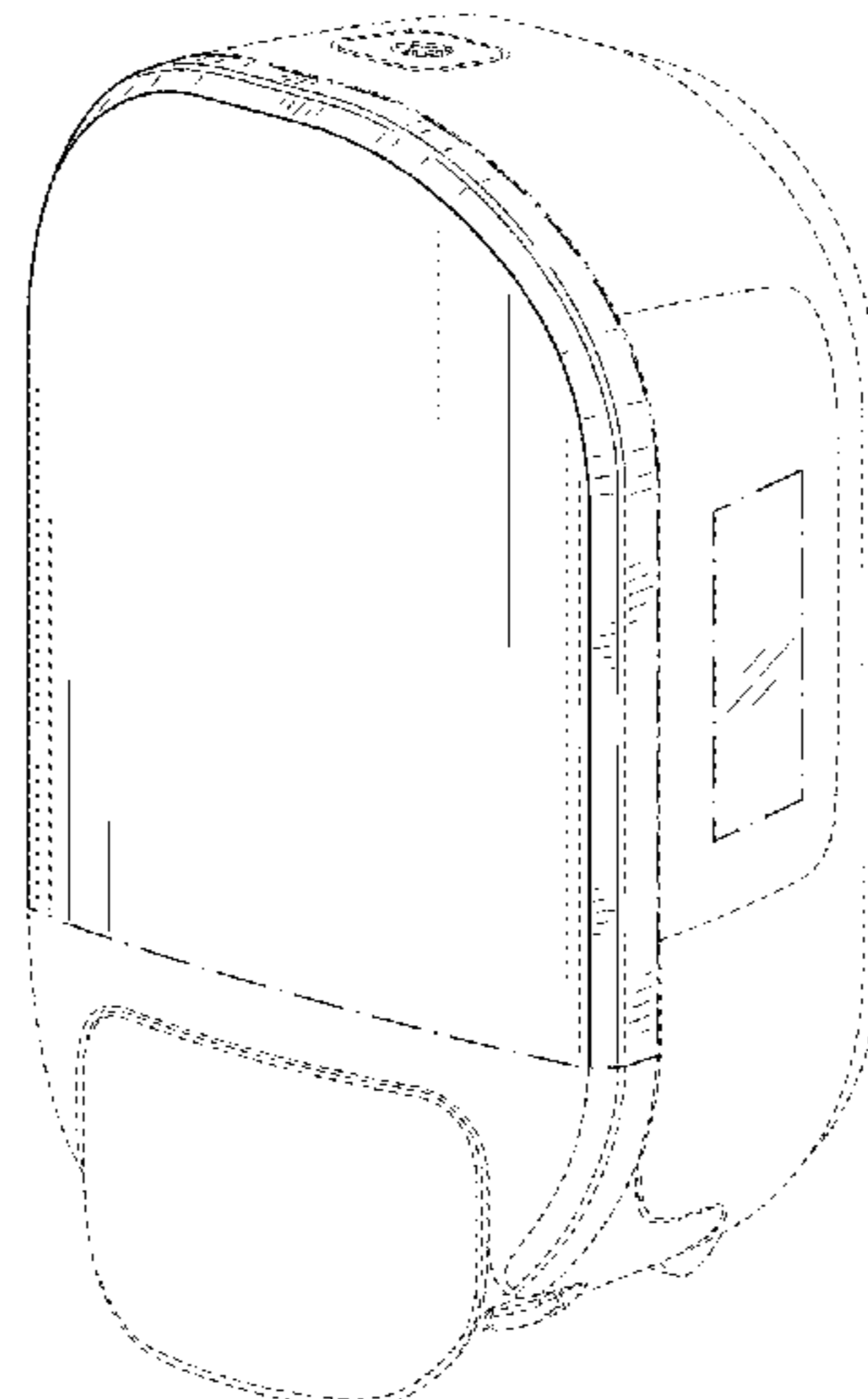
FIG. 1 is an isometric view of a front, top, and right side of an ornamental design for a dispenser;
FIG. 2 is a front elevational view of the dispenser of FIG. 1;
FIG. 3 is a right side elevational view of the dispenser of FIG. 1;
FIG. 4 is a left side elevational view of the dispenser of FIG. 1; and,
FIG. 5 is a top plan view of the dispenser of FIG. 1.
The dash-dash-dash lines are included for the purpose of illustrating portions of the dispenser that form no part of the claimed design. The dash-dot-dash broken lines are included for the purpose of illustrating boundary lines and form no part of the claimed design.

(56) **References Cited**

U.S. PATENT DOCUMENTS

D273,062 S * 3/1984 Richardson D6/545
D338,585 S * 8/1993 Bell D6/545

1 Claim, 5 Drawing Sheets



(56)

References Cited

U.S. PATENT DOCUMENTS

6,877,642 B1 * 4/2005 Maddox A47K 5/1208
222/105
6,929,155 B1 * 8/2005 Sayers A47K 5/1208
222/207
7,028,861 B2 * 4/2006 Sayers B41J 2/17513
222/105
7,044,328 B1 * 5/2006 Ciavarella A47K 5/12
292/152
D530,125 S * 10/2006 Vignot D6/545
D562,602 S * 2/2008 Cisneros D6/516
D568,659 S 5/2008 Ophardt et al.
D569,151 S 5/2008 Cittadino et al.
D579,250 S 10/2008 Cittadino et al.
D584,551 S * 1/2009 Carlson D6/545
D586,599 S 2/2009 Crawford
D588,388 S 3/2009 Crawford
D616,684 S 6/2010 Ciavarella et al.
D617,129 S 6/2010 Ciavarella et al.
D619,836 S 7/2010 Kim
D619,837 S 7/2010 Kim
D619,838 S 7/2010 Kim
D620,292 S 7/2010 Kim
D629,237 S 12/2010 Boshuizen et al.
D631,681 S 2/2011 Ciavarella et al.
D634,143 S 3/2011 Burkett
7,950,548 B2 * 5/2011 Ciavarella A47K 5/1204
222/321.9
D648,856 S 11/2011 Landauer
D662,342 S * 6/2012 Daniel D6/545
D669,719 S 10/2012 Green et al.
D675,852 S * 2/2013 Bunoz D6/545
D706,550 S * 6/2014 Sun Ting Kung D6/545
D708,865 S * 7/2014 Sun Ting Kung D6/518
D713,653 S * 9/2014 Sun Ting Kung D6/545
D740,587 S * 10/2015 Sun Ting Kung D6/518
D768,406 S 10/2016 Patterson et al.
D768,407 S * 10/2016 Patterson D6/545
D775,852 S 1/2017 Indruk
D775,853 S 1/2017 Bing et al.
D780,473 S 3/2017 Brownley et al.
D781,064 S 3/2017 Brownley et al.
D781,065 S 3/2017 Brownley et al.
D801,074 S 10/2017 Brownley et al.
D801,079 S 10/2017 Indruk
D801,722 S 11/2017 Indruk
D802,329 S 11/2017 Brownley et al.
D809,821 S 2/2018 Moore et al.
D815,457 S 4/2018 Moore et al.
D820,615 S 6/2018 Santoro et al.
D837,559 S 1/2019 Bing et al.
D840,171 S 2/2019 Buell et al.
D840,712 S 2/2019 Buell et al.
D840,713 S 2/2019 Buell et al.
D842,620 S 3/2019 Brownley et al.
D846,298 S 4/2019 Harris et al.
D846,299 S 4/2019 Harris et al.
D855,348 S 8/2019 Buell et al.

D856,023 S 8/2019 Harris et al.
D860,676 S 9/2019 Khamphilapanyo
D862,112 S 10/2019 Tojek et al.
2005/0098580 A1 * 5/2005 Ciavarella B65D 1/42
222/183
2012/0080452 A1 * 4/2012 Boshuizen A47K 5/1207
222/1
2013/0292410 A1 * 11/2013 Pelkey G01F 11/023
222/181.3
2017/0245697 A1 * 8/2017 Kurchev A47K 5/1217
2017/0337458 A1 * 11/2017 Ophardt A47K 5/1202
2017/0340173 A1 * 11/2017 Santoro A47K 5/12
2019/0063980 A1 * 2/2019 Kobs G01F 23/265

FOREIGN PATENT DOCUMENTS

EM 001026694-0001 S 11/2008
EM 001053102-0001 S 2/2009
EM 001053102-0002 S 2/2009
EM 001204192-0001 S 4/2010
EM 001204192-0002 S 4/2010
EM 001204192-0003 S 4/2010
EM 001204192-0004 S 4/2010
EM 001204192-0005 S 4/2010
EM 001674912-0001 S 4/2010
EM 001674912-0002 S 4/2010
EM 001817636-0001 S 2/2011
EM 001817636-0002 S 2/2011
EM 001817636-0003 S 2/2011
EM 001855560-0001 S 4/2011
EM 001855560-0002 S 4/2011
EM 001855560-0003 S 4/2011
EM 001855560-0004 S 4/2011
EM 001855560-0005 S 4/2011
EM 001855560-0006 S 4/2011
EM 001958505-0001 S 12/2011
EM 001328462-0001 S 6/2012
EM 003380765-0001 S 9/2016
EM 003380765-0002 S 9/2016
EM 003380765-0003 S 9/2016
EM 003380765-0004 S 9/2016
EM 003387232-0001 S 10/2016
EM 003387562-0001 S 10/2016
EM 003494079-0001 S 1/2017
EM 003810498-0001 S 3/2017
EM 003810498-0002 S 3/2017
EM 003810498-0003 S 3/2017
EM 003810498-0004 S 3/2017
EM 003846625-0001 S 4/2017
EM 003846625-0002 S 4/2017
EM 003846625-0003 S 4/2017
EM 003846625-0004 S 4/2017
EM 003846625-0005 S 4/2017
EM 003873355-0001 S 5/2017
EM 003873363-0001 S 5/2017
EM 008181739-0001 S 10/2020
EM 008181739-0002 S 10/2020
WO 097829 S 10/2017

* cited by examiner

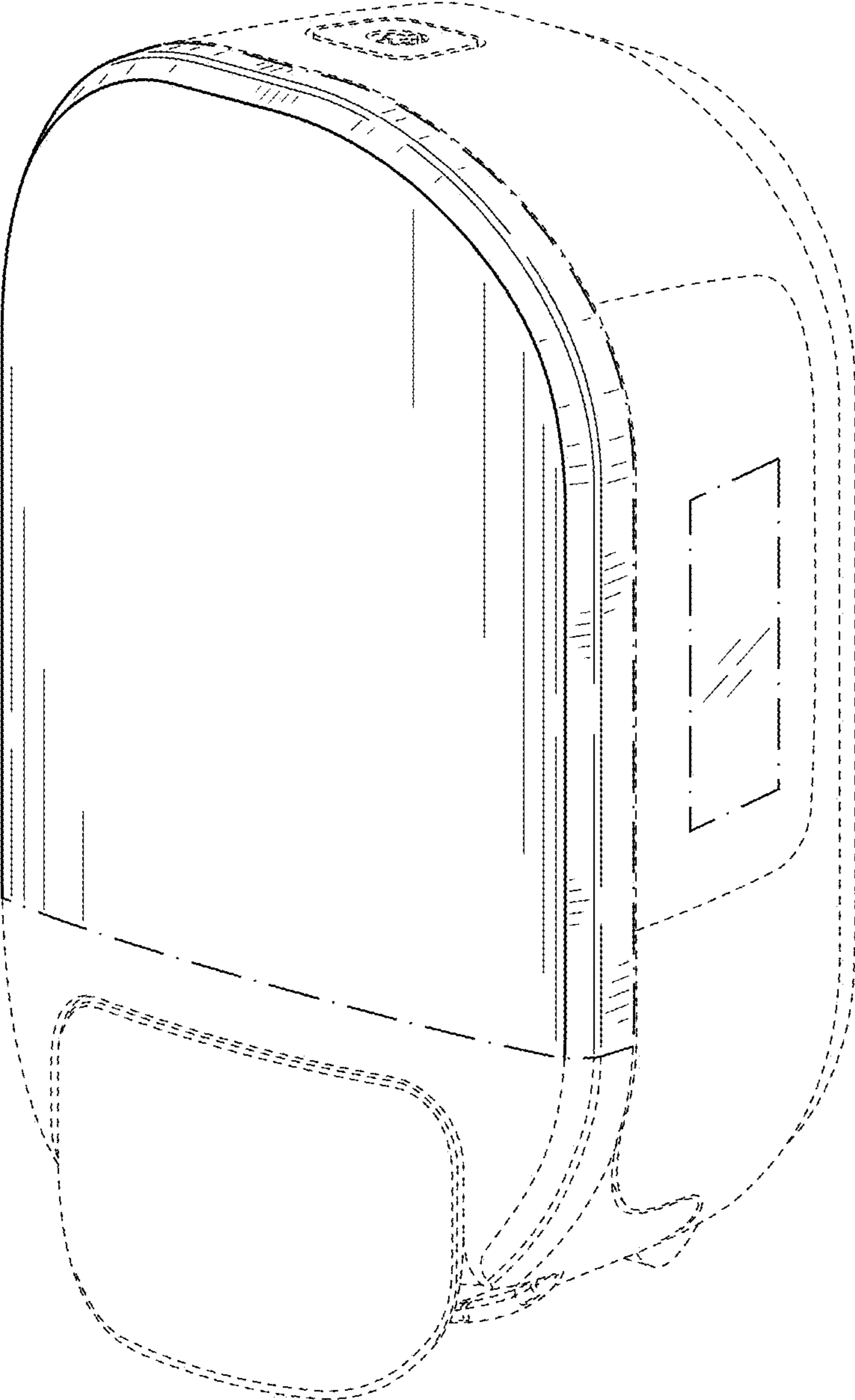


FIG. 1

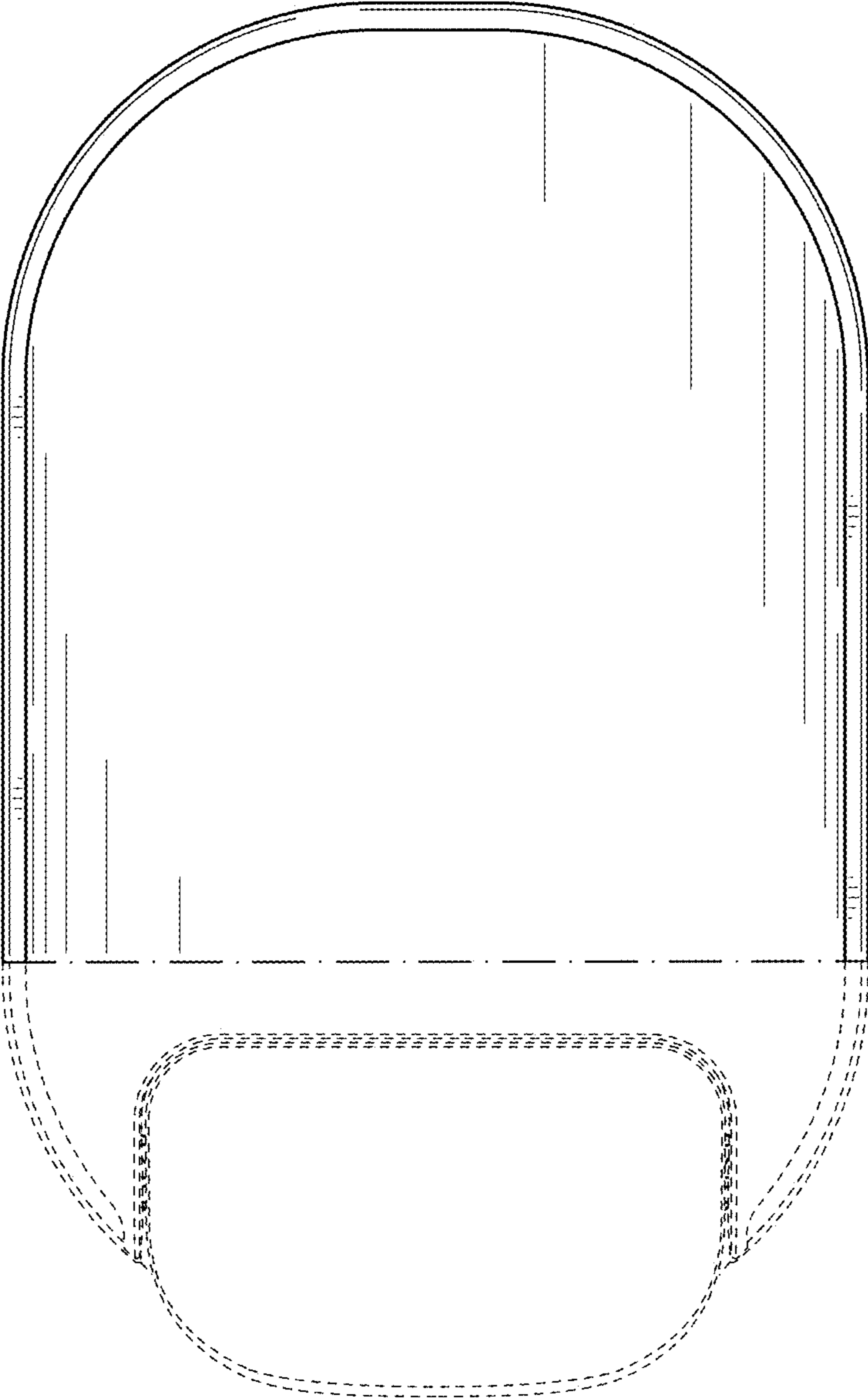


FIG. 2

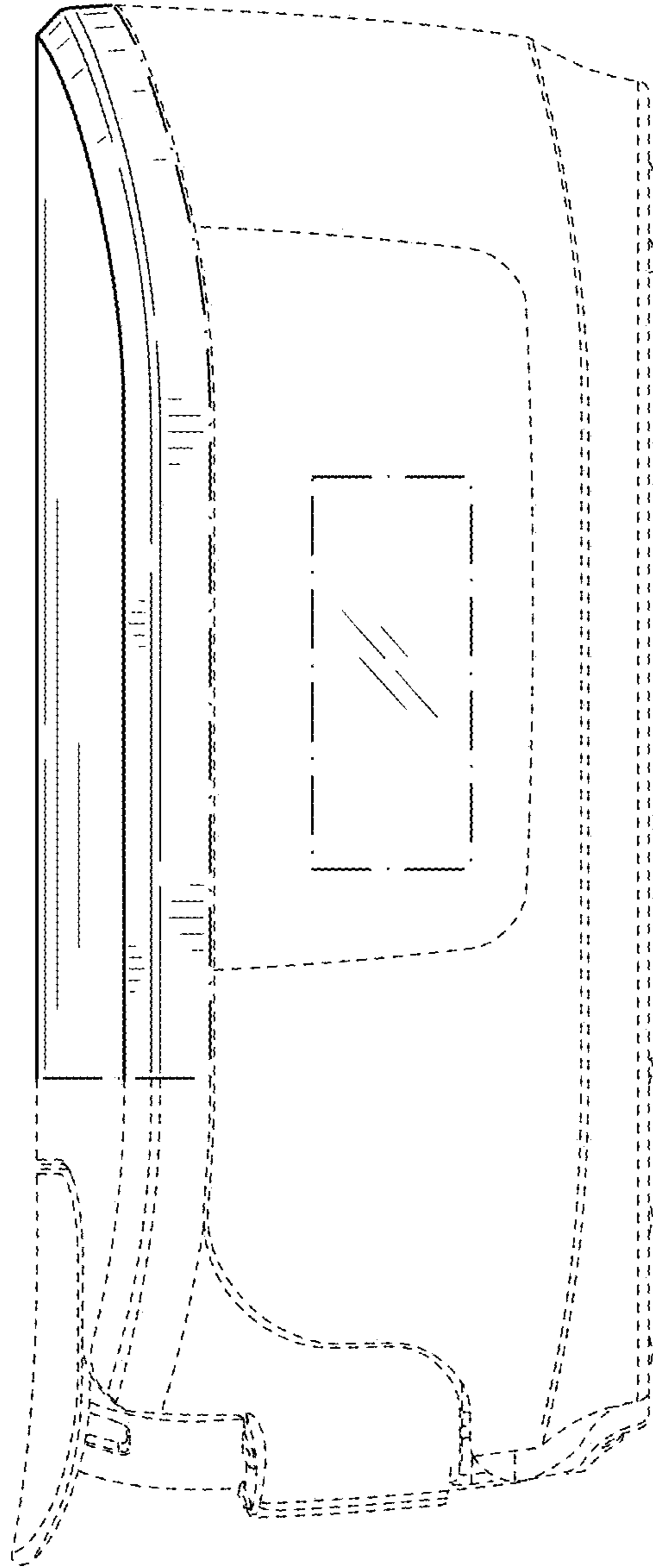


FIG. 3

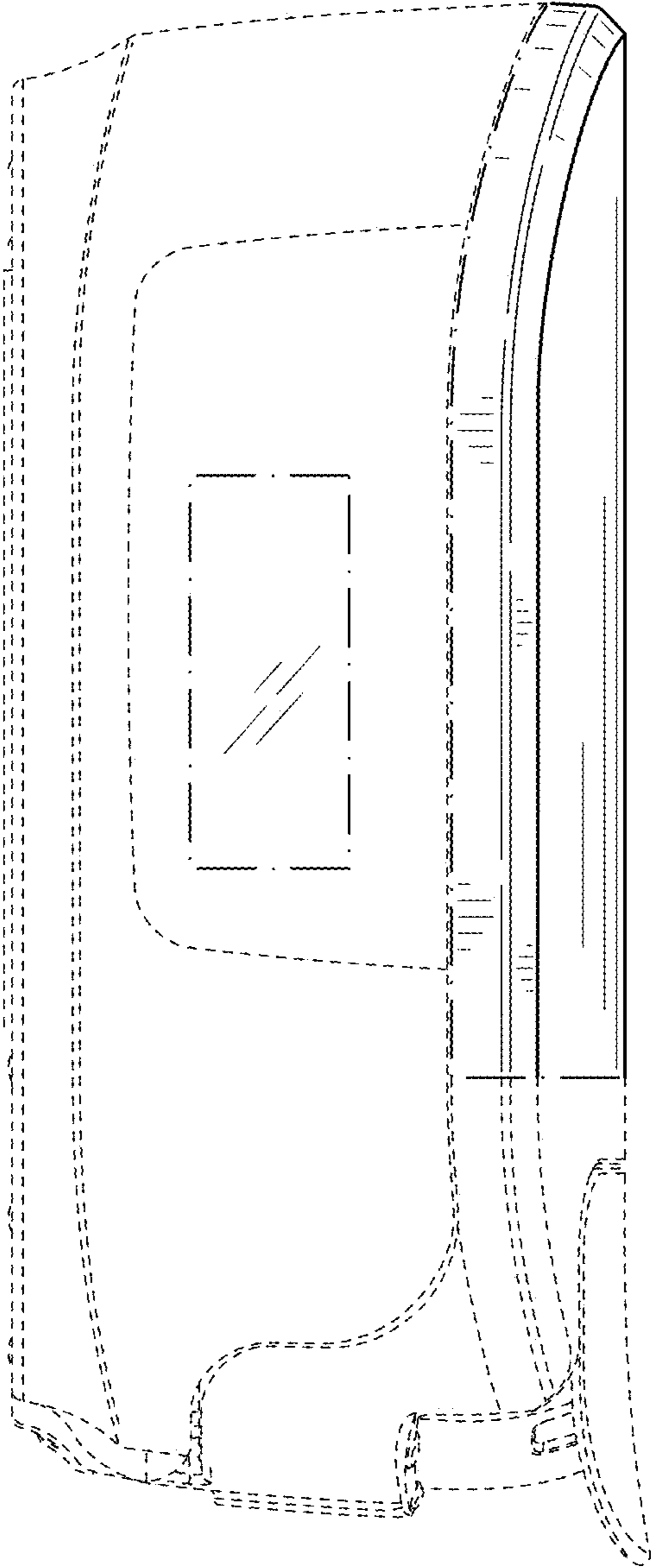


FIG. 4

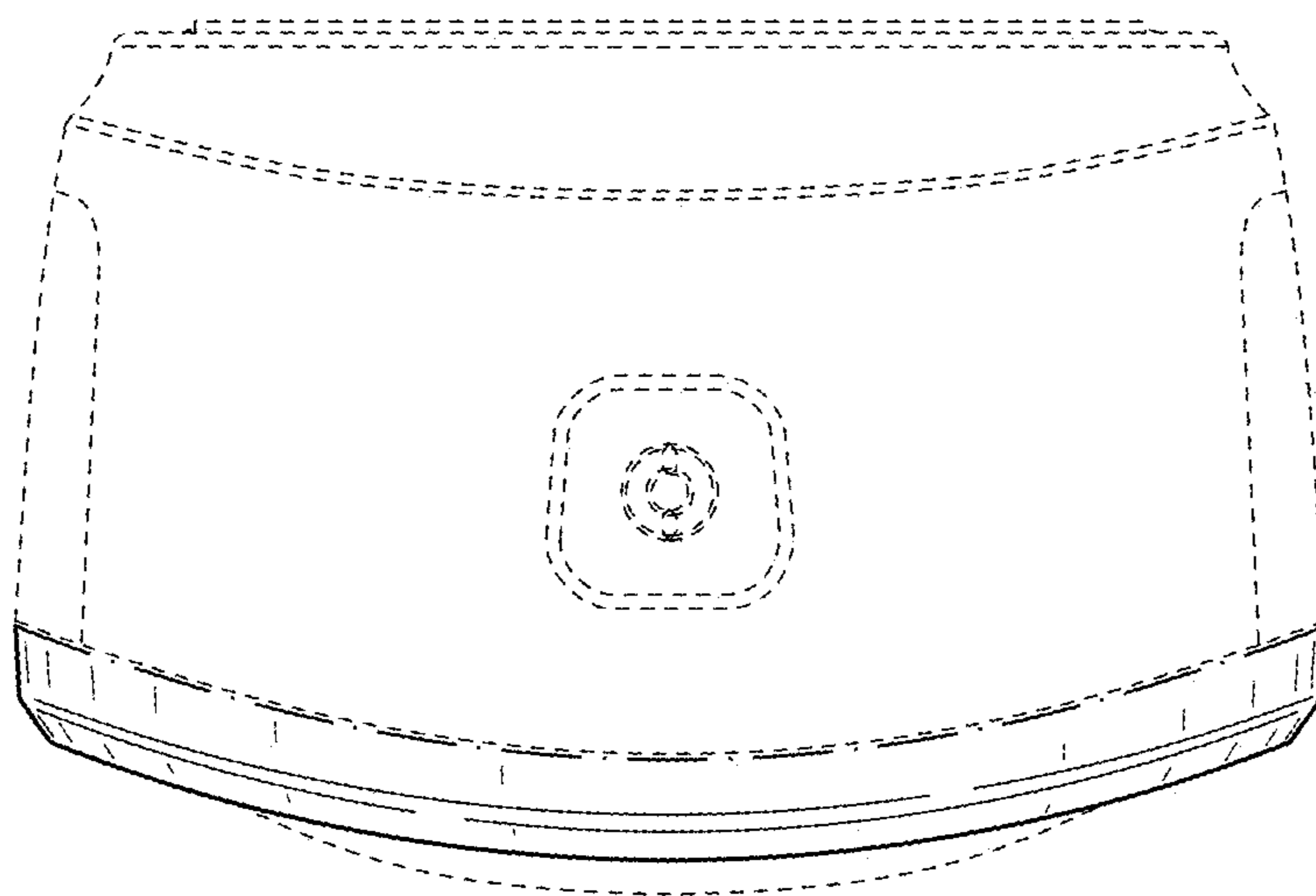


FIG. 5