



US00D982927S

(12) **United States Design Patent**
Gao

(10) **Patent No.:** **US D982,927 S**
(45) **Date of Patent:** **** Apr. 11, 2023**

- (54) **PAPER TOWEL HOLDER BASE**
- (71) Applicant: **Guang Zhou Ting Fang Commercial & Trading Co., Ltd.**, Guangdong (CN)
- (72) Inventor: **Ting Gao**, Guangdong (CN)
- (**) Term: **15 Years**
- (21) Appl. No.: **29/859,957**
- (22) Filed: **Nov. 15, 2022**
- (51) **LOC (14) Cl.** **06-04**
- (52) **U.S. Cl.**
USPC **D6/522**
- (58) **Field of Classification Search**
USPC D6/512, 513, 515-524; D9/715, 721, D9/734; D8/349, 354, 355
CPC A47K 10/3836; A47K 2010/3863; A47K 10/36; A47K 2010/3681; A47K 10/22; A47K 10/3809
See application file for complete search history.

(56) **References Cited**

U.S. PATENT DOCUMENTS

2,419,798	A *	4/1947	Stone	A47K 10/3836 242/571.5
D419,013	S *	1/2000	Tisdale	D6/522
D425,345	S *	5/2000	Ohm	D6/518
D523,672	S	6/2006	Yang et al.		
D530,549	S	10/2006	Yang et al.		
7,438,256	B2 *	10/2008	Nip	A47K 10/3836 242/599.4
7,458,541	B1 *	12/2008	Chang	A47K 10/3836 248/205.8
D704,951	S *	5/2014	Coleman	D6/518
D713,166	S	9/2014	Miller et al.		
D761,039	S	7/2016	Locker		
D778,634	S	2/2017	Locker		
D878,077	S	3/2020	Goodman et al.		
D880,891	S *	4/2020	Zhou	D6/521

D964,772	S	9/2022	He		
D966,006	S	10/2022	Gao		
2003/0029961	A1 *	2/2003	Hollinger	A47K 10/3836 242/597.7
2004/0124304	A1 *	7/2004	Kamenstein	B65H 16/00 242/570
2004/0254035	A1 *	12/2004	Hoffman	A63B 69/0091 473/423
2007/0011894	A1 *	1/2007	Chen	G01C 15/004 33/286
2010/0239407	A1 *	9/2010	Mills	A47G 19/10 248/205.8
2011/0247191	A1 *	10/2011	Koziol	A47K 10/22 29/428
2017/0265692	A1 *	9/2017	Deng	A47K 10/3827
2018/0325335	A1 *	11/2018	Holden	A47K 10/3836
2019/0263624	A1 *	8/2019	DeCooman	B65H 49/36
2020/0146518	A1 *	5/2020	Kamenstein	A47K 10/3836
2022/0346607	A1 *	11/2022	Bowles	A47K 10/38

* cited by examiner

Primary Examiner — Lauren R Calve

(57) **CLAIM**

The ornamental design for a paper towel holder base, as shown and described.

DESCRIPTION

FIG. 1 is a perspective view of a paper towel holder base showing my new design.

FIG. 2 is another perspective view of a paper towel holder base.

FIG. 3 is a front view of a paper towel holder base.

FIG. 4 is a rear view of a paper towel holder base.

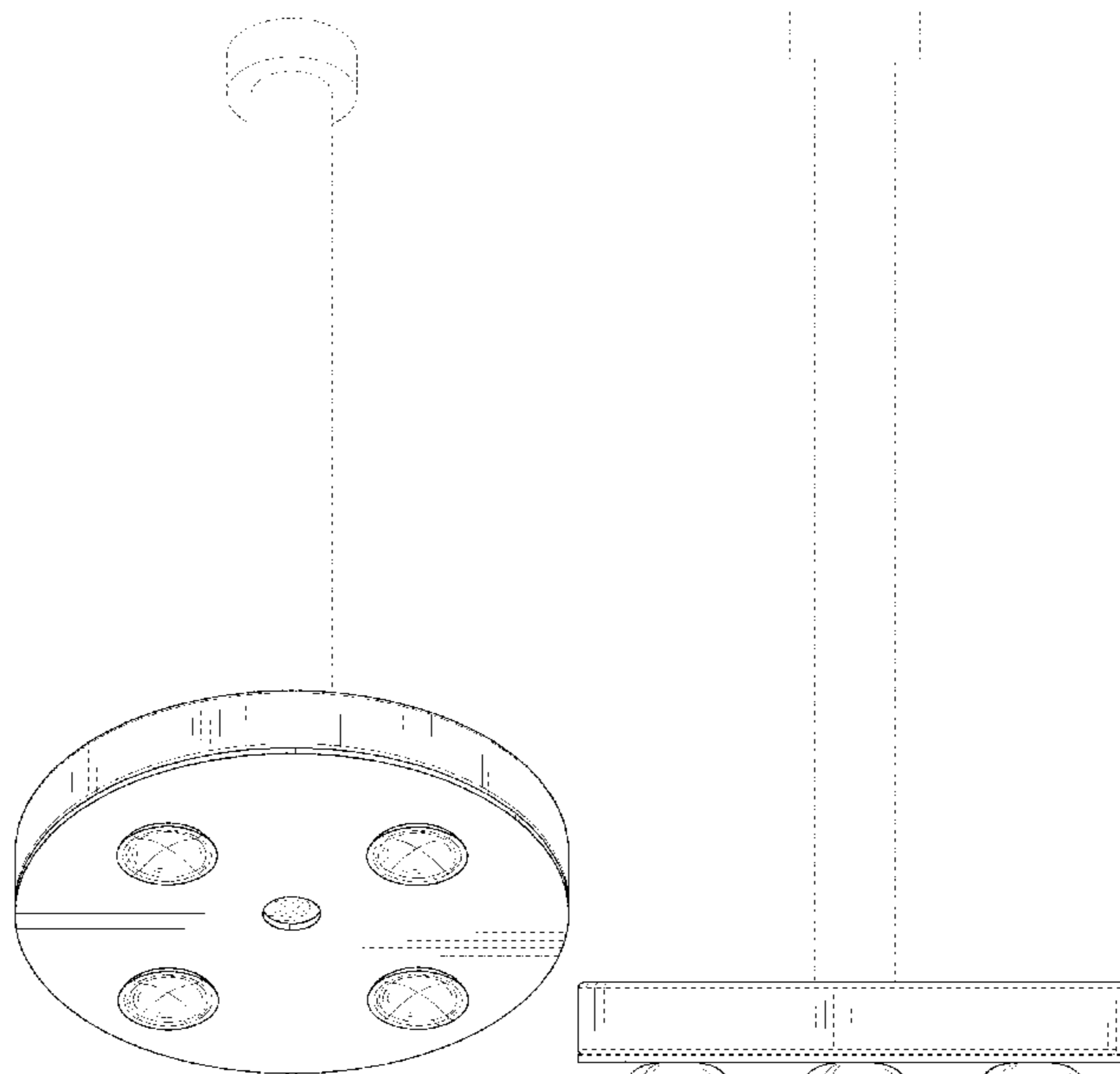
FIG. 5 is a left side view of a paper towel holder base.

FIG. 6 is a right side view of a paper towel holder base.

FIG. 7 is a top view of a paper towel holder base; and, FIG. 8 is a bottom view of a paper towel holder base.

A broken line disclosure is understood to be for illustrative purposes only and forms no part of the claimed design.

1 Claim, 8 Drawing Sheets



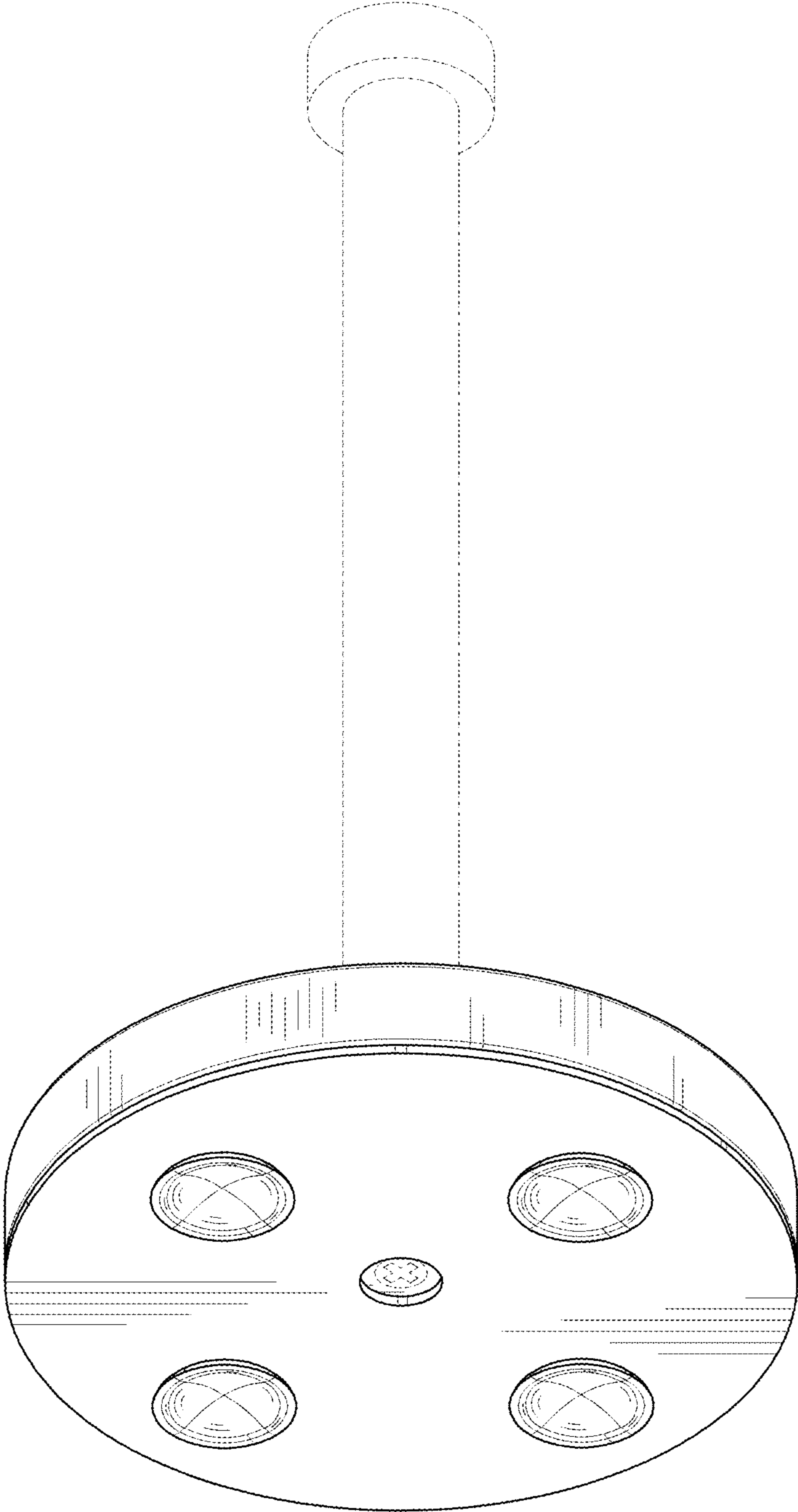


FIG . 1

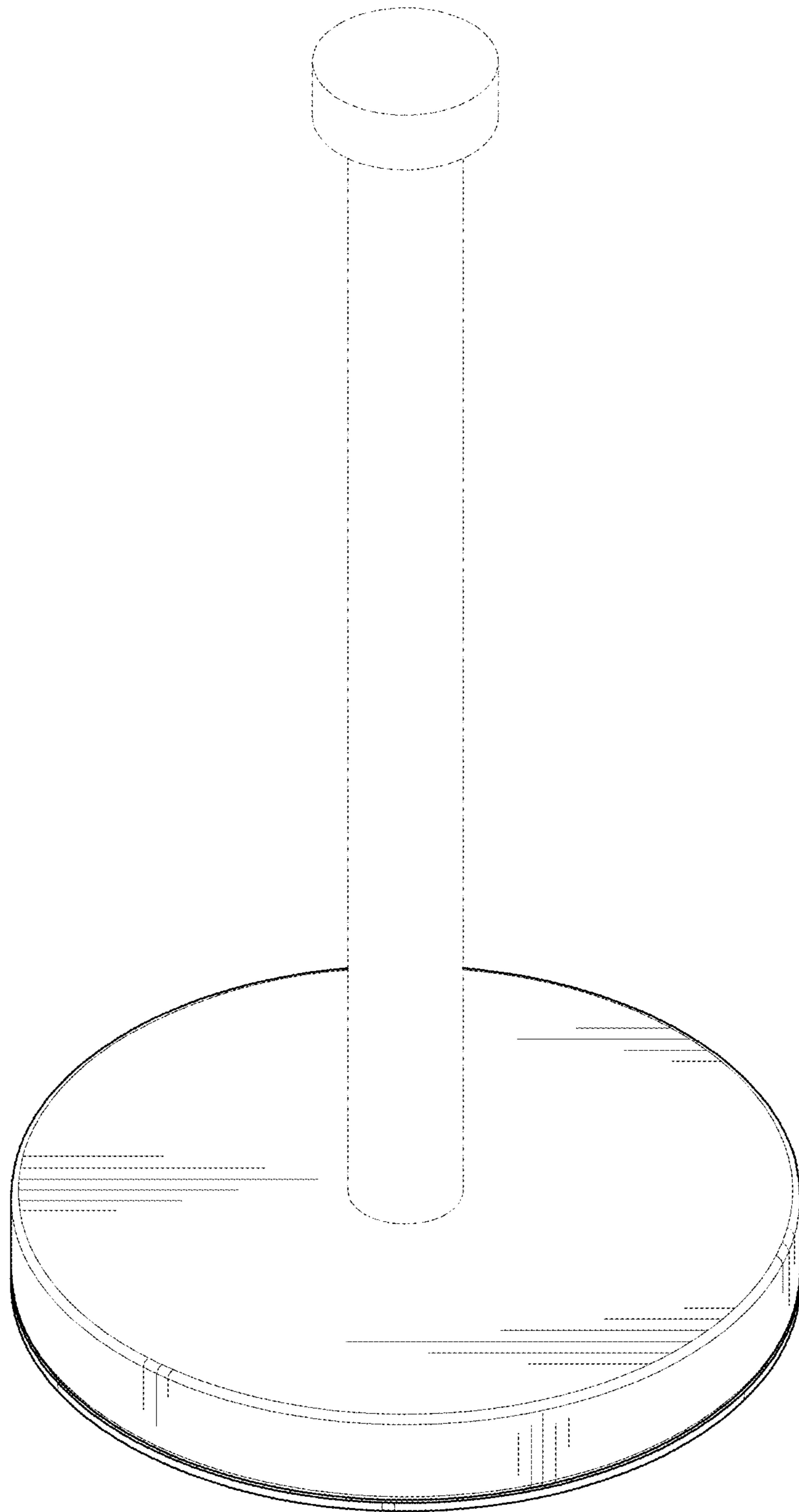


FIG . 2

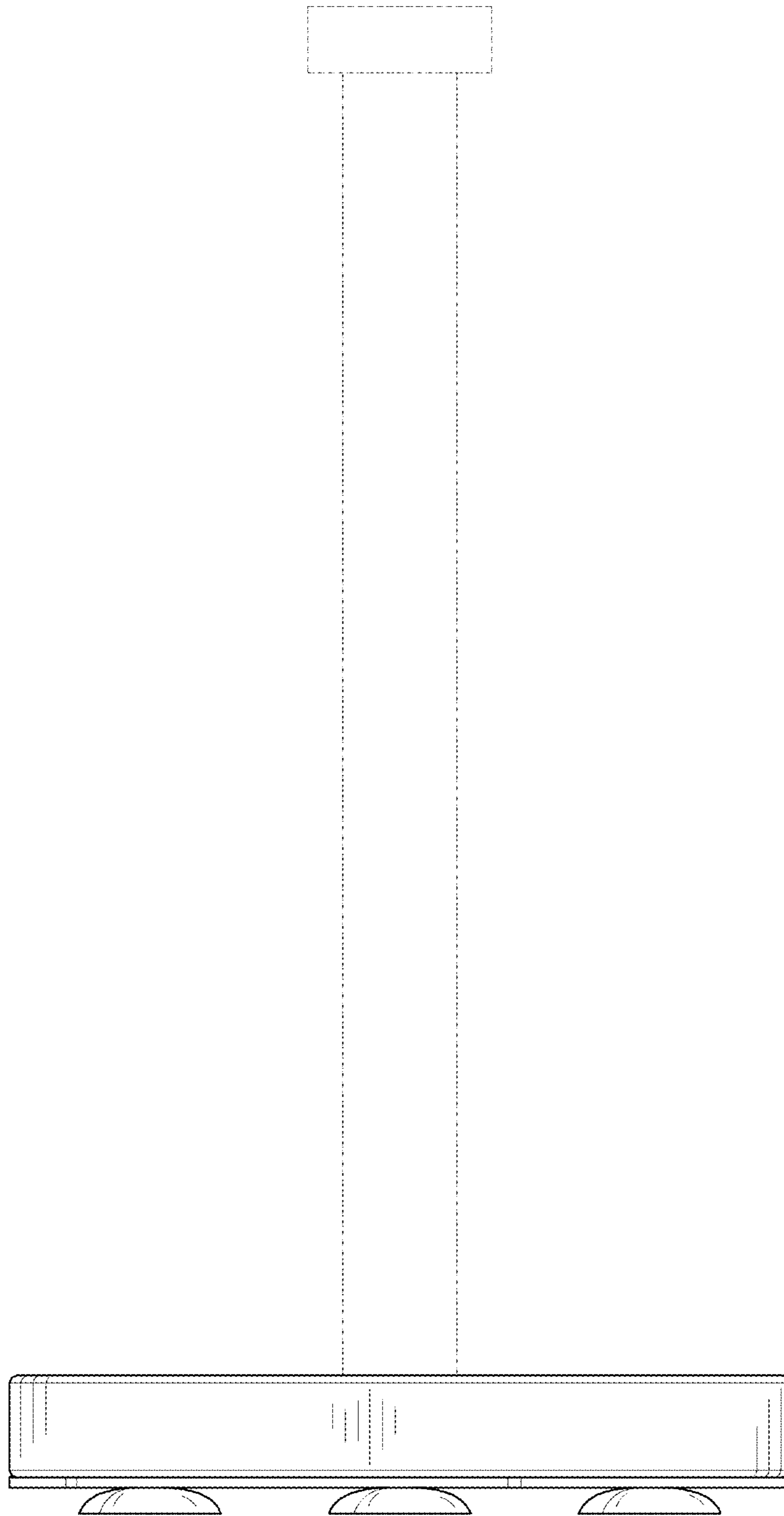


FIG . 3

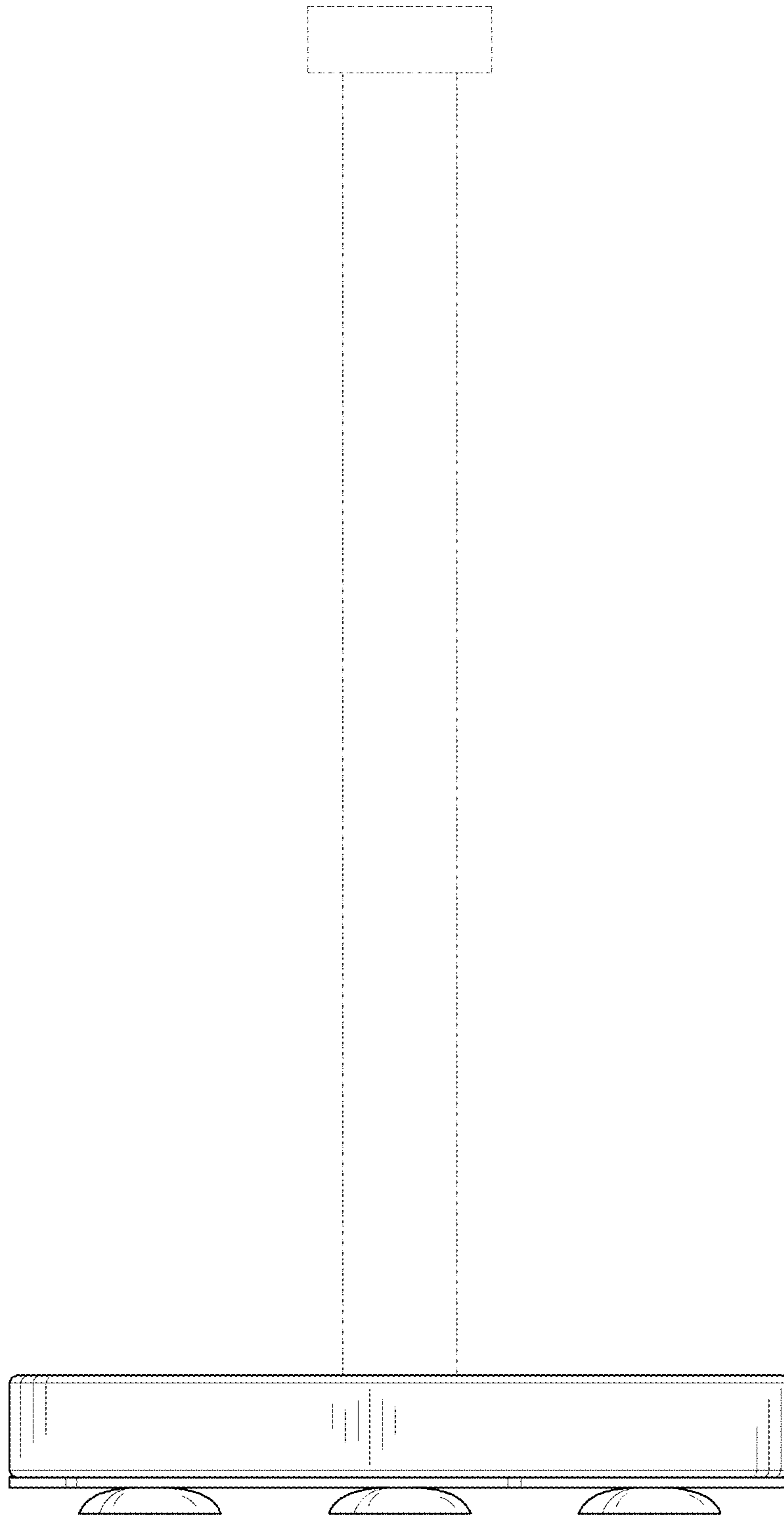


FIG . 4

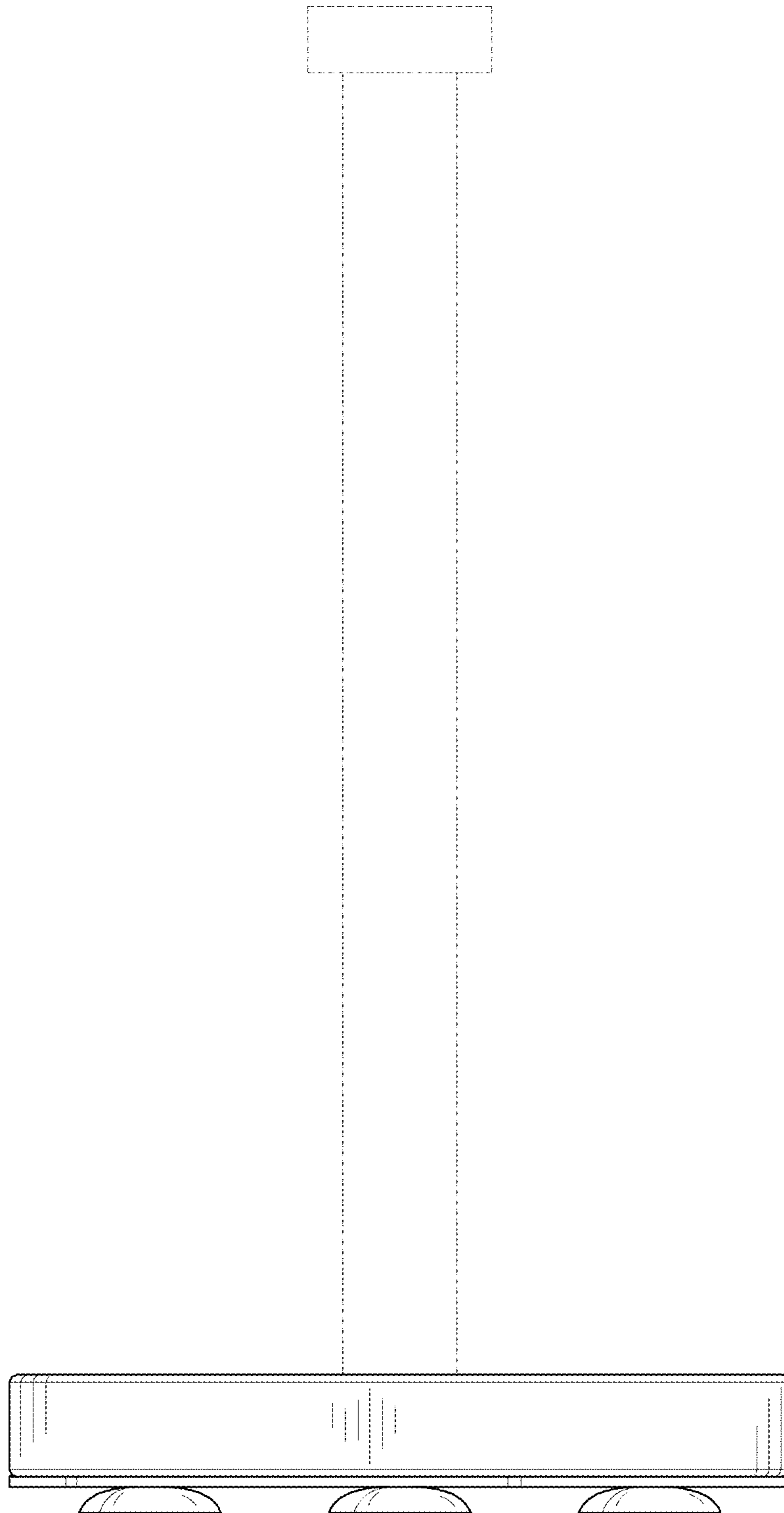


FIG . 5

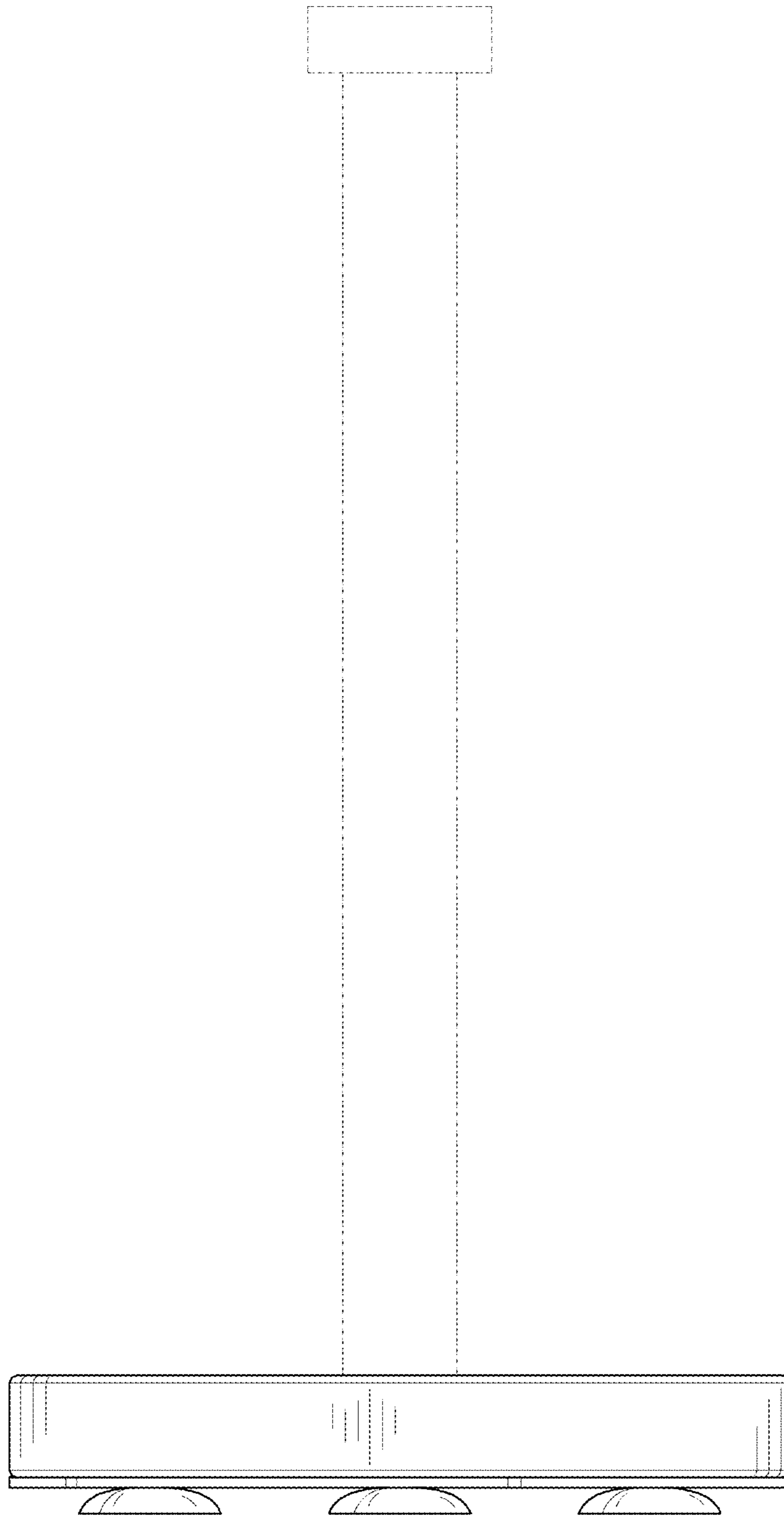


FIG . 6



FIG . 7

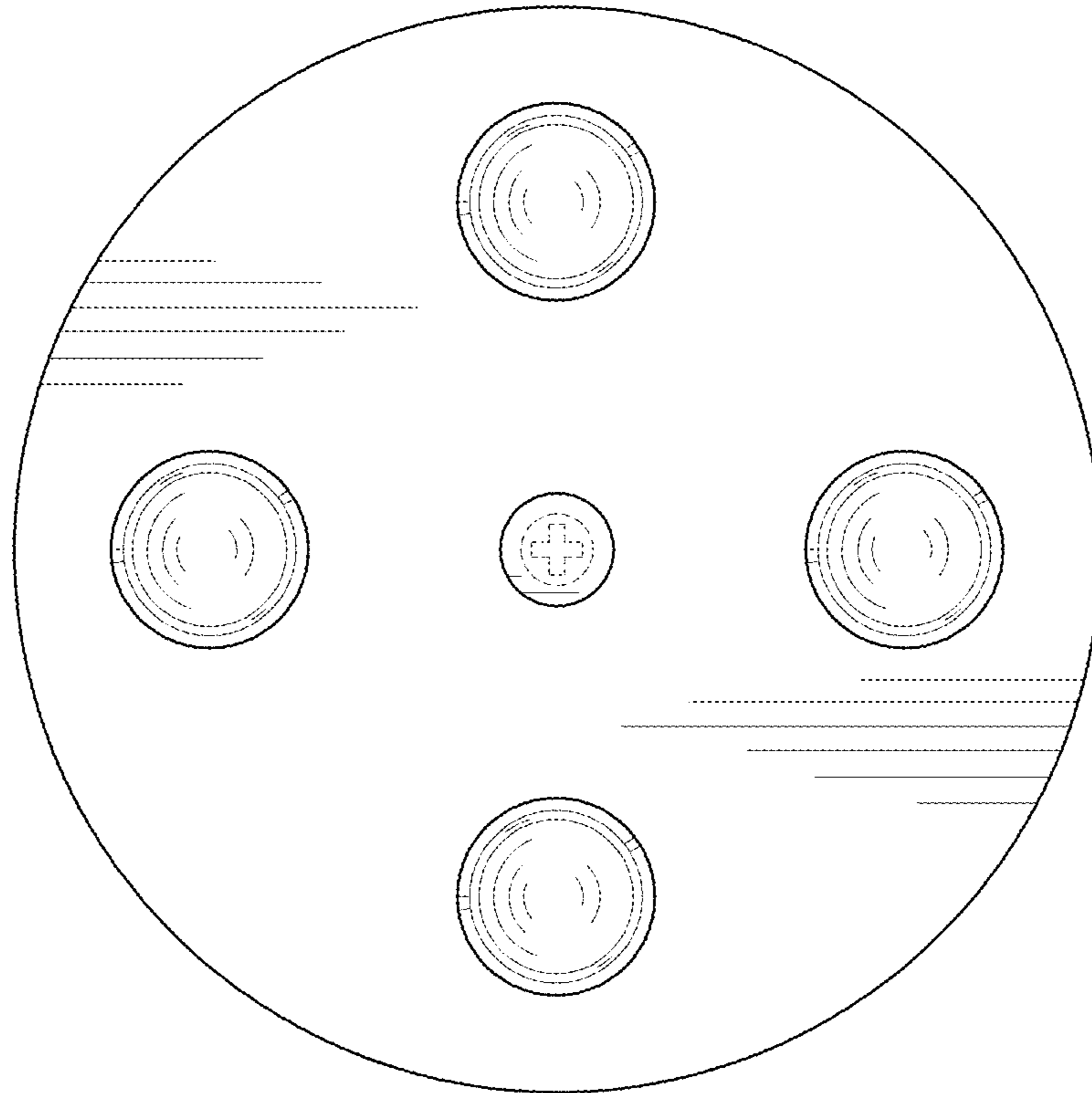


FIG . 8