



US00D982926S

(12) **United States Design Patent**
Tuncel

(10) **Patent No.:** **US D982,926 S**

(45) **Date of Patent:** **** Apr. 11, 2023**

(54) **CLEANING WIPE SYSTEM**

(71) Applicant: **Levent Tuncel**, San Anselmo, CA (US)

(72) Inventor: **Levent Tuncel**, San Anselmo, CA (US)

(**) Term: **15 Years**

(21) Appl. No.: **29/735,368**

(22) Filed: **May 20, 2020**

(51) **LOC (14) Cl.** **06-06**

(52) **U.S. Cl.**
USPC **D6/518**

(58) **Field of Classification Search**
USPC D6/515, 518, 522, 523; D8/373;
D9/531, 537, 734
CPC A47K 10/421; A47K 10/424; A47K 10/16;
A47K 10/185; A47K 10/3818; A47K
10/3827; A47K 10/426; A47K 2010/3266;
B65D 77/003; B65D 83/00; B65D
83/0894

See application file for complete search history.

(56) **References Cited**

U.S. PATENT DOCUMENTS

2,171,648	A	*	9/1939	Ennis	A47K 10/3836
						411/347
D293,058	S	*	12/1987	Iwarsson	D6/523
D293,182	S	*	12/1987	Carter	D6/573
D324,969	S	*	3/1992	Morand	D6/523
D326,203	S	*	5/1992	Butler	D7/511
D360,790	S	*	8/1995	Landis, II	D6/518
D522,785	S	*	6/2006	Brady	D6/518
D541,088	S	*	4/2007	Nesci	D6/515
D589,820	S	*	4/2009	Paal	D9/734
D660,060	S	*	5/2012	Slosman	D6/518
D718,953	S	*	12/2014	Masino	D6/518
D721,517	S	*	1/2015	Hill	D6/518
D915,211	S	*	4/2021	Green	D9/531
D935,327	S	*	11/2021	Madsen	D9/734

D942,861	S	*	2/2022	Madsen	D9/537
D953,151	S	*	5/2022	Mann	D8/373
D953,152	S	*	5/2022	Mann	D8/373

(Continued)

FOREIGN PATENT DOCUMENTS

CA	56301	*	5/1986
CA	192390	*	1/2022

OTHER PUBLICATIONS

ERC Wipes Dispenser Wire Floor Stand, <https://thecleaningstation.com/wipes/wipe-dispensers/free-standing-gym-wipes-dispenser/z500s-z500u/>, Sep. 7, 2017 (Year: 2017).*

(Continued)

Primary Examiner — Jennifer L Rempfer
Assistant Examiner — Bethany Louise Mallino

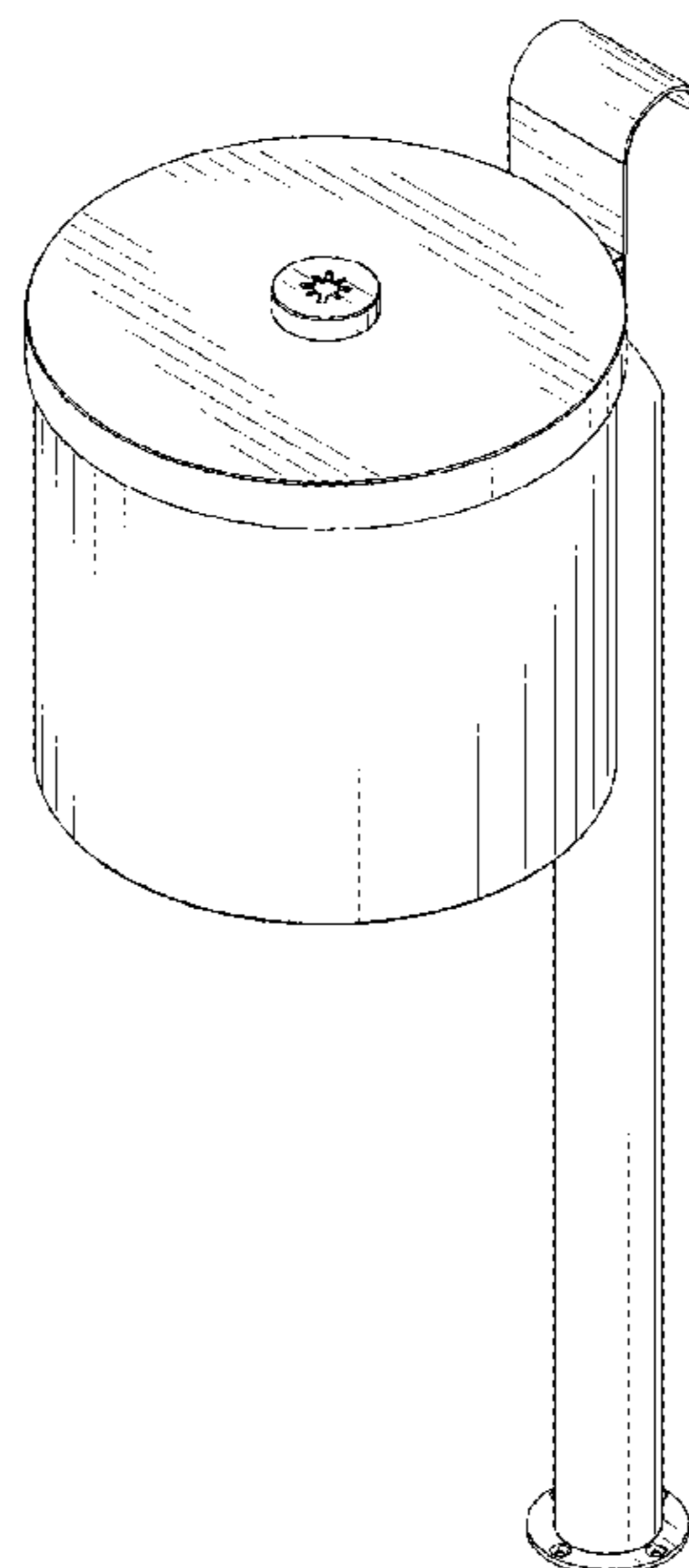
(57) **CLAIM**

The ornamental design for a cleaning wipe system, as shown and described.

DESCRIPTION

FIG. 1 is a front-top-left perspective view of a cleaning wipe system;
FIG. 2 is a rear-top-right perspective view thereof;
FIG. 3 is a front elevational view thereof;
FIG. 4 is a rear elevational view thereof;
FIG. 5 is a right side elevational view thereof;
FIG. 6 is a left side elevational view thereof;
FIG. 7 is a top plan view thereof;
FIG. 8 is a bottom plan view thereof;
FIG. 9 is a reduced exploded front-top-left perspective view thereof, revealing a twist-off locking mechanism;
FIG. 10 is a magnified view taken about circle 10 in FIG. 9; and,
FIG. 11 is a reduced exploded front-bottom-left perspective view thereof, revealing the twist-off locking mechanism.

1 Claim, 11 Drawing Sheets



(56)

References Cited

U.S. PATENT DOCUMENTS

11,439,280 B2 * 9/2022 Mann A47K 10/32
2011/0192862 A1 * 8/2011 Knudsen A47K 10/3818
248/205.2

OTHER PUBLICATIONS

Neatfi Floor Standing Stainless Steel Gym Wipe Dispenser, <https://neatfi.com/collections/cleaning-station>, Review states "3 years ago", therefore, Nov. 18, 2019 (Year: 2019).*

* cited by examiner

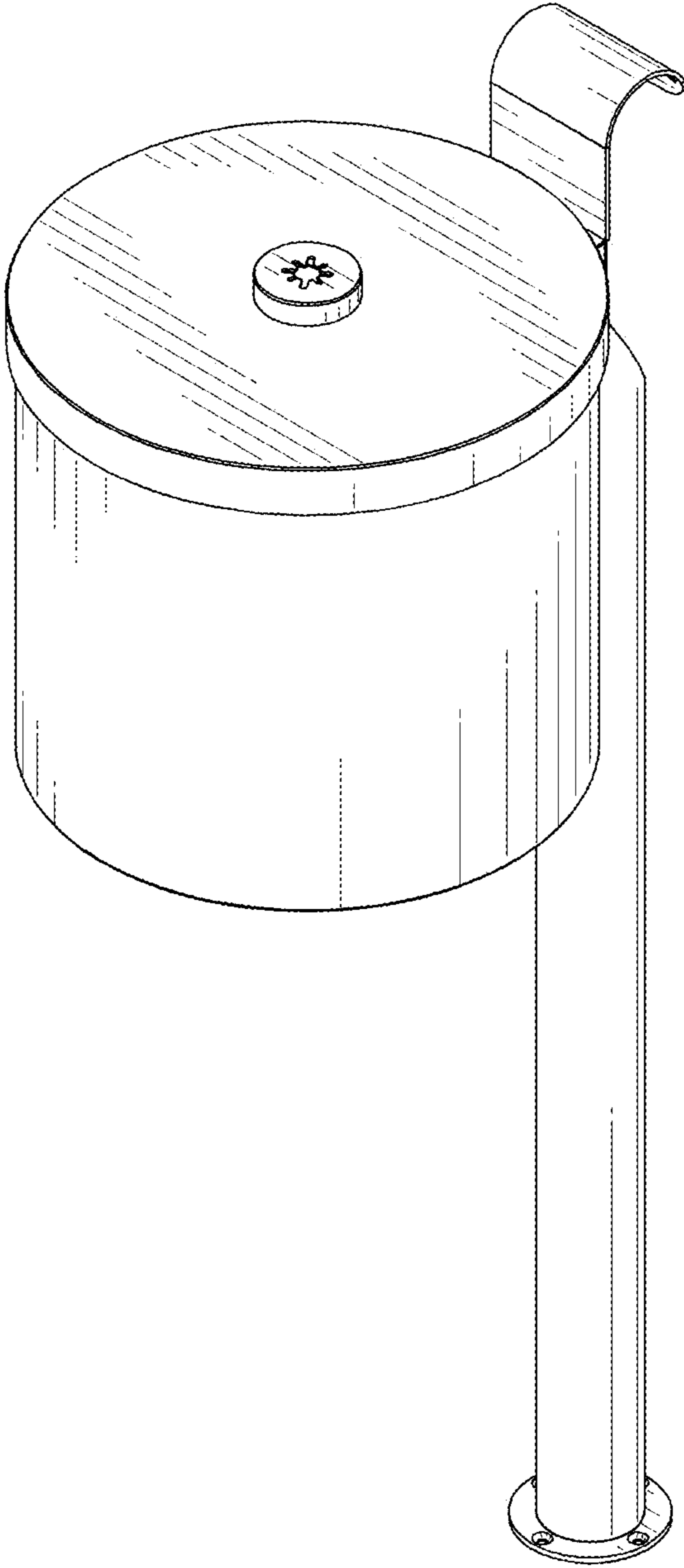


FIG. 1

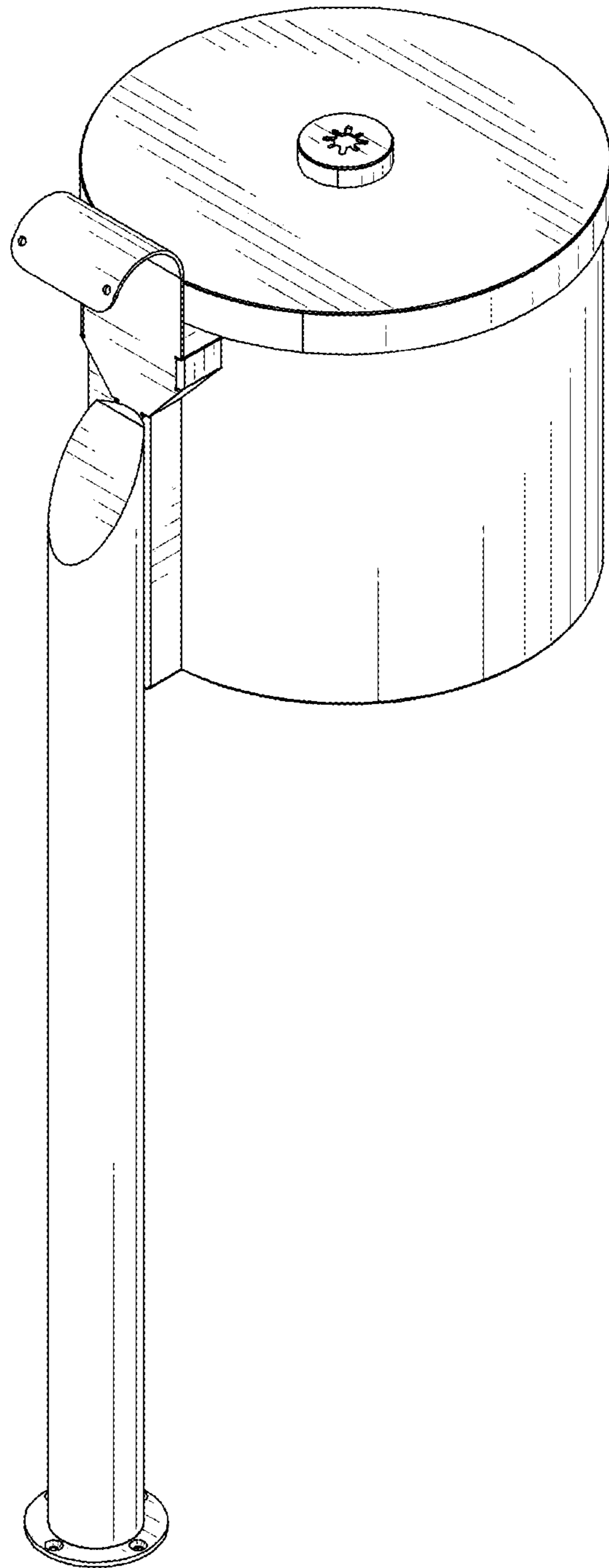


FIG. 2

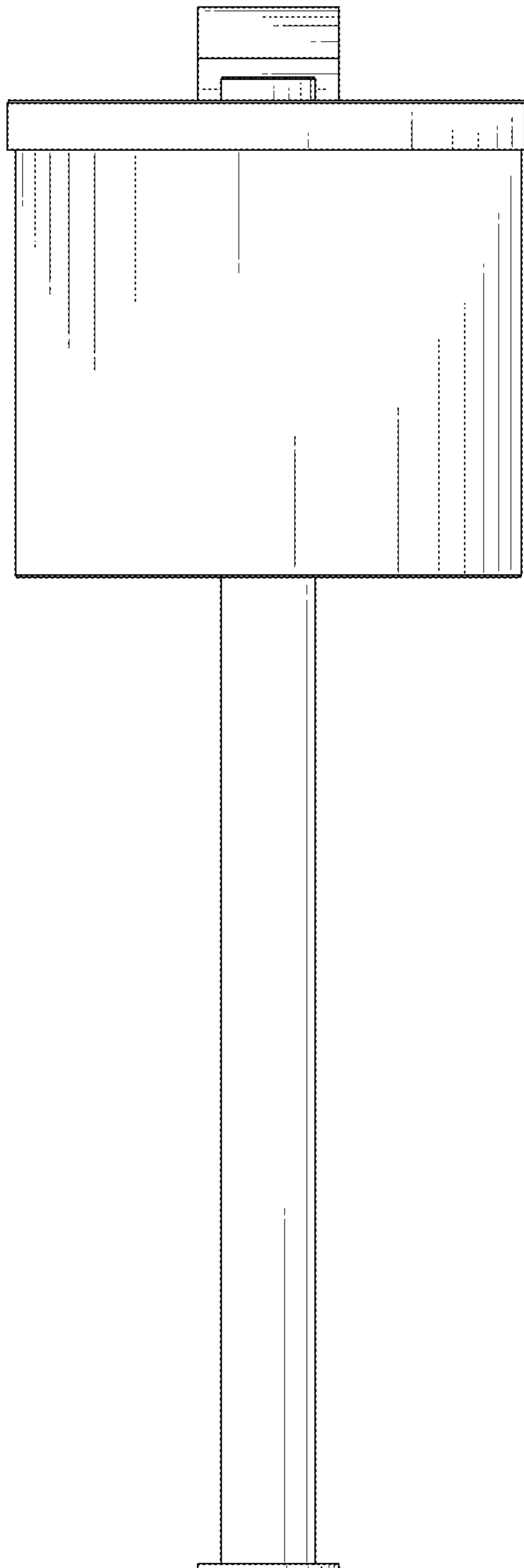


FIG. 3

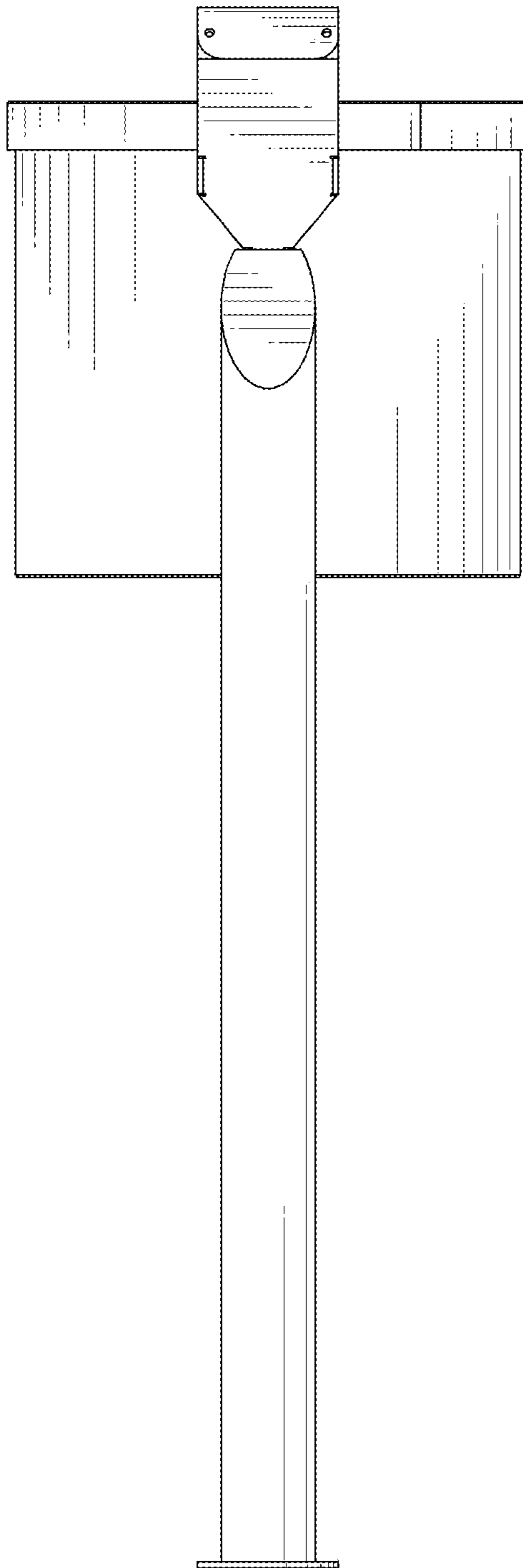


FIG. 4

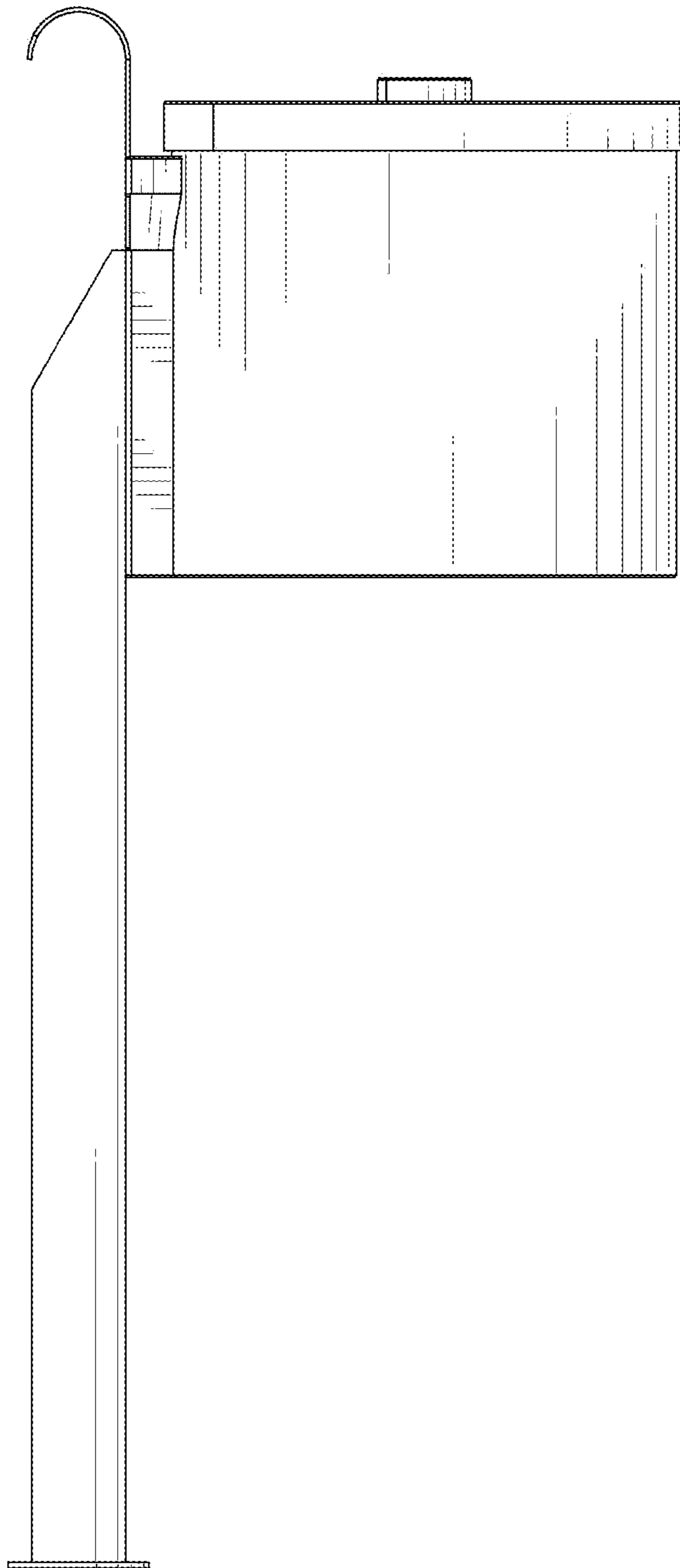


FIG. 5

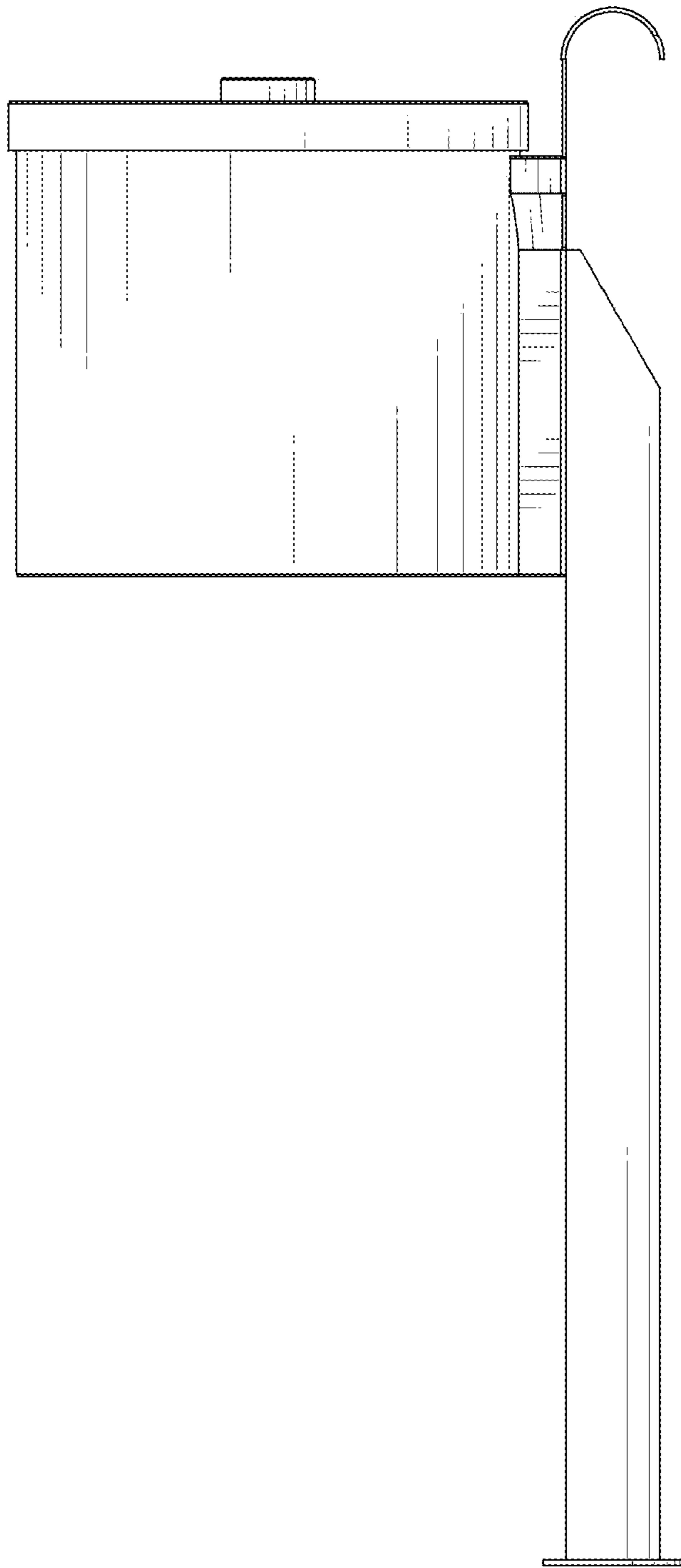


FIG. 6

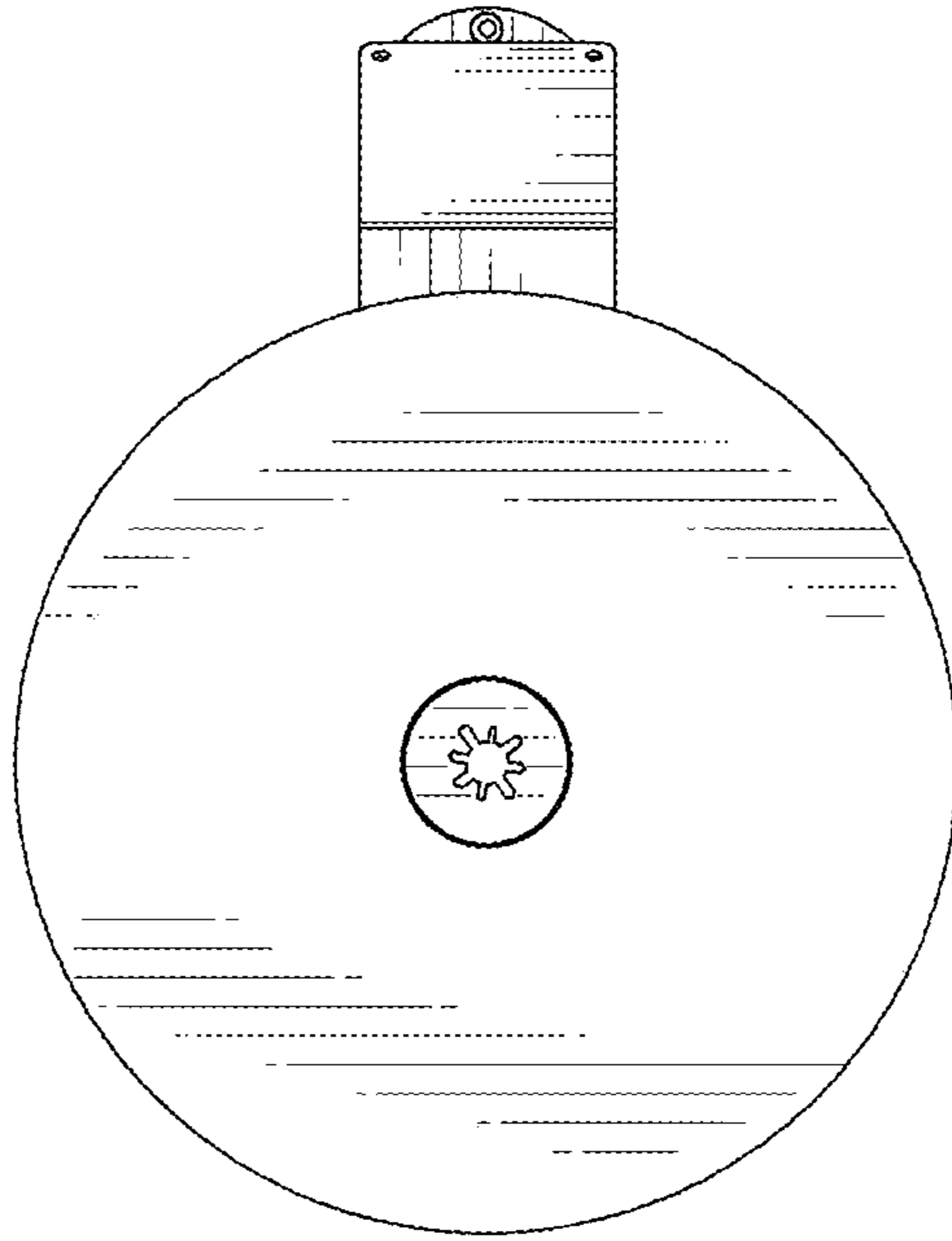


FIG. 7

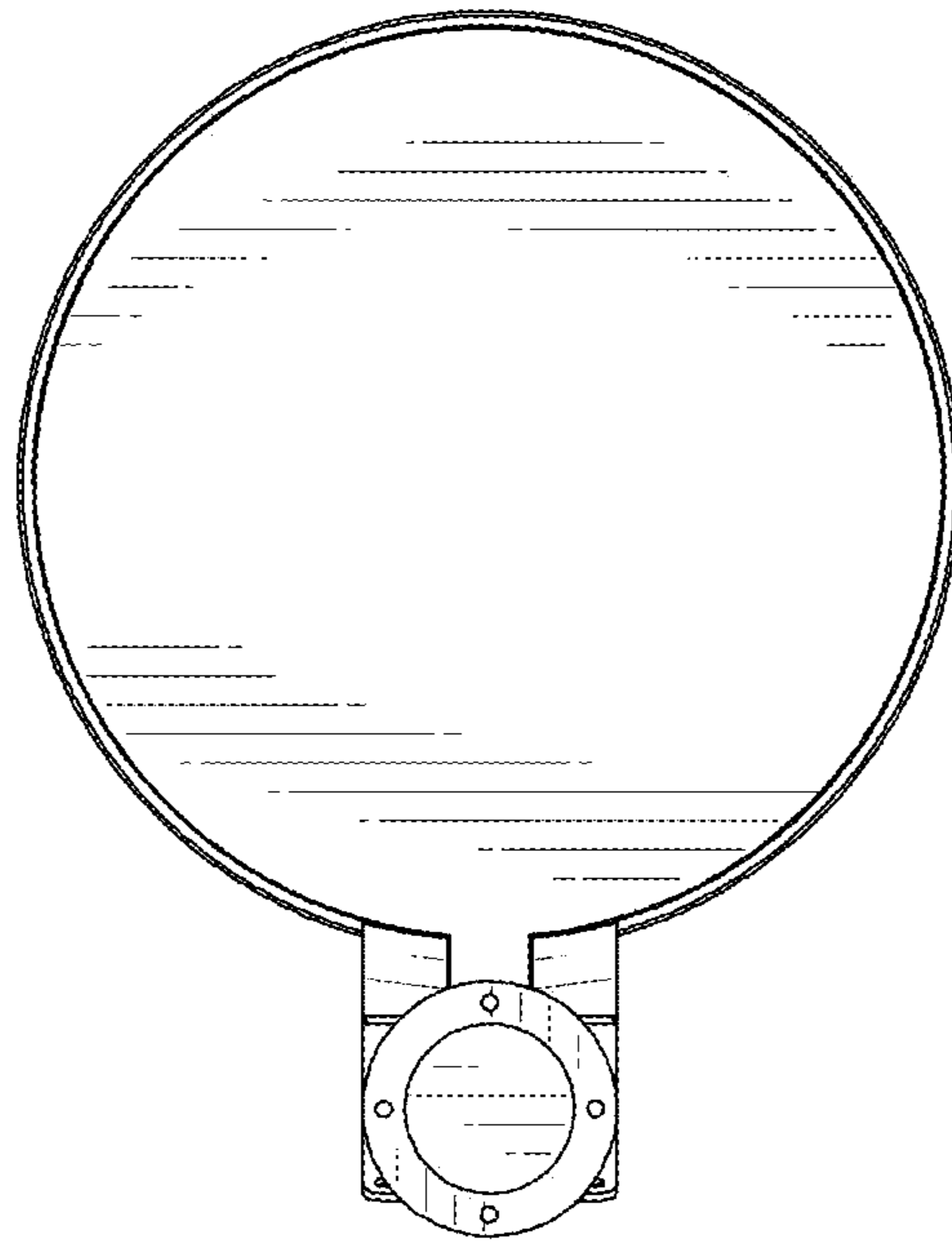


FIG. 8

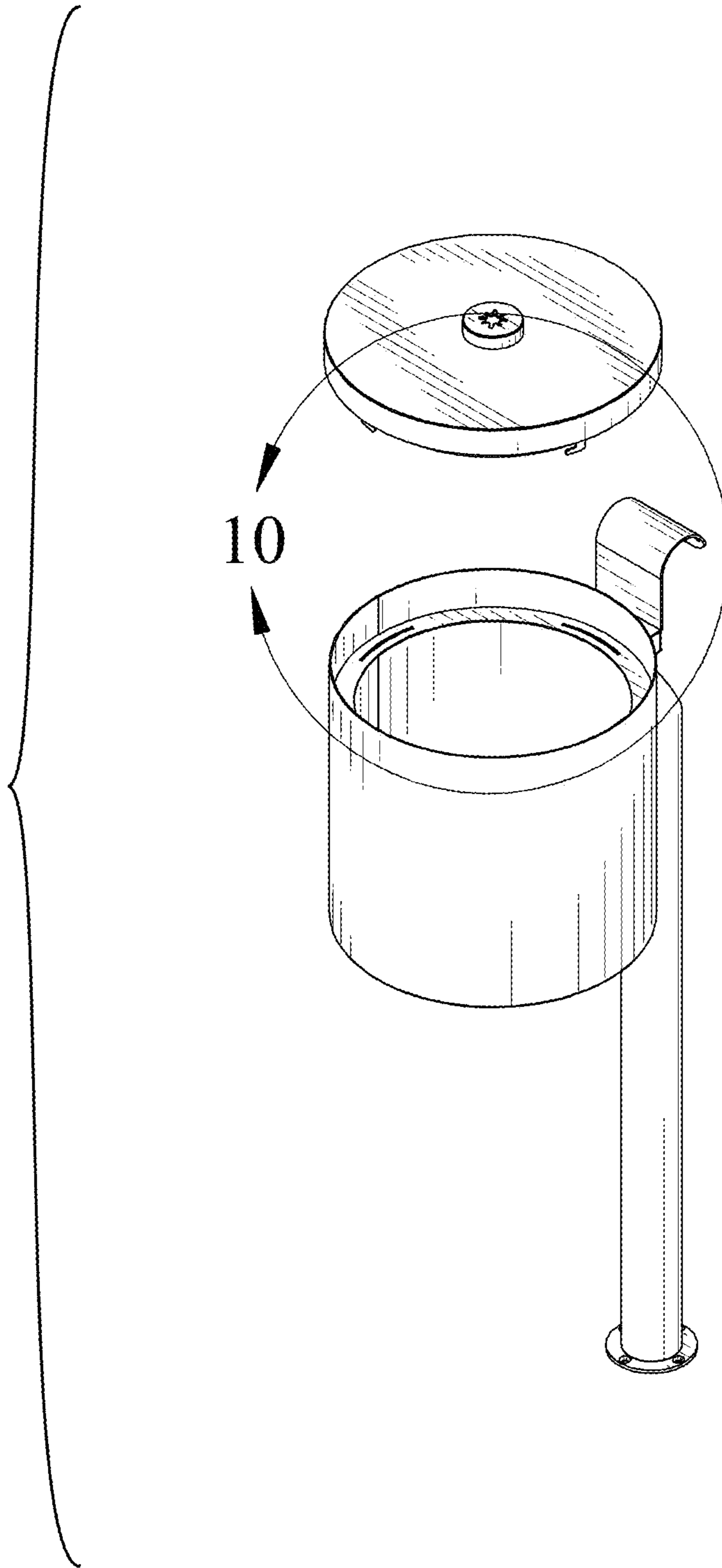


FIG. 9

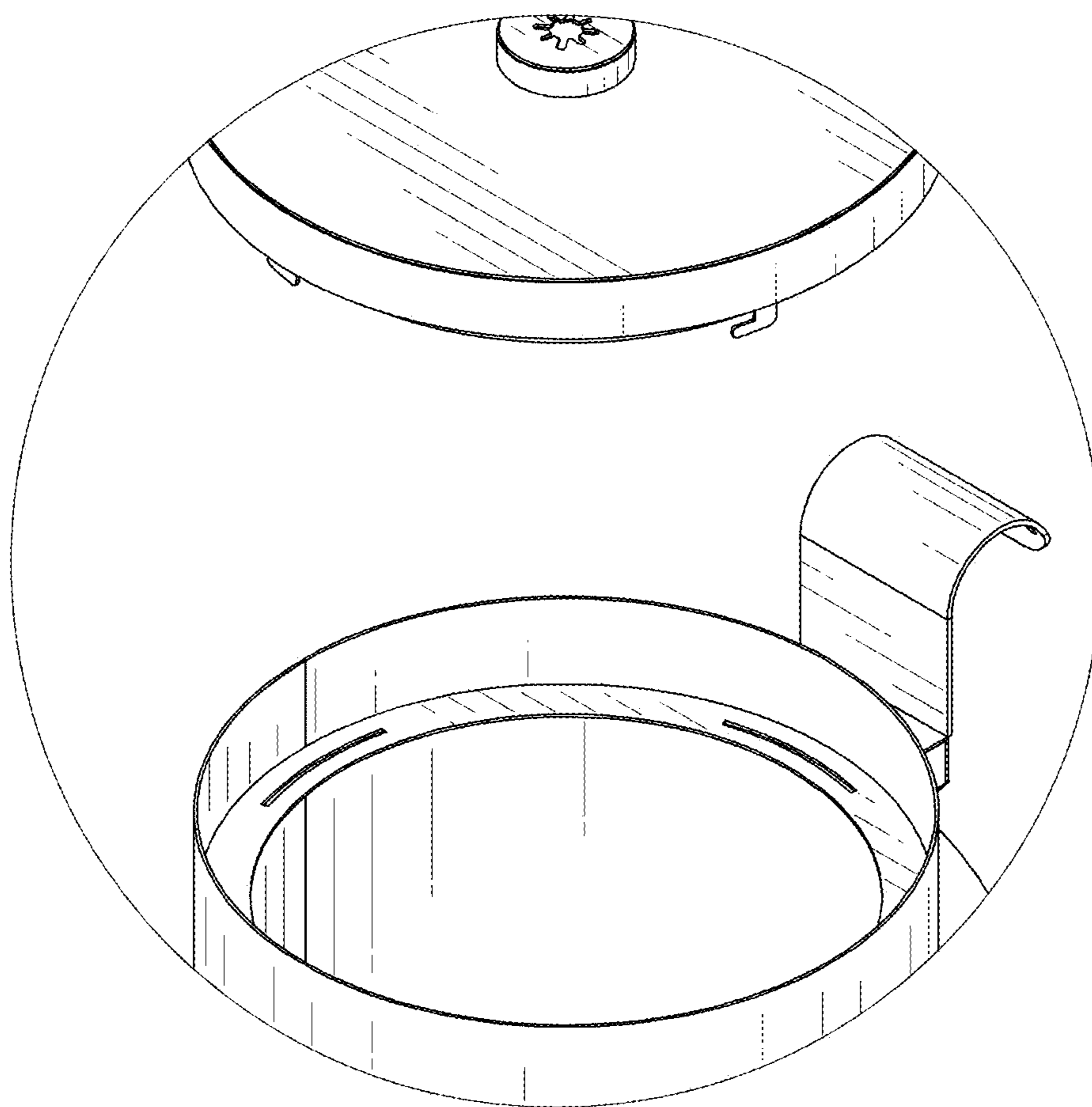


FIG. 10

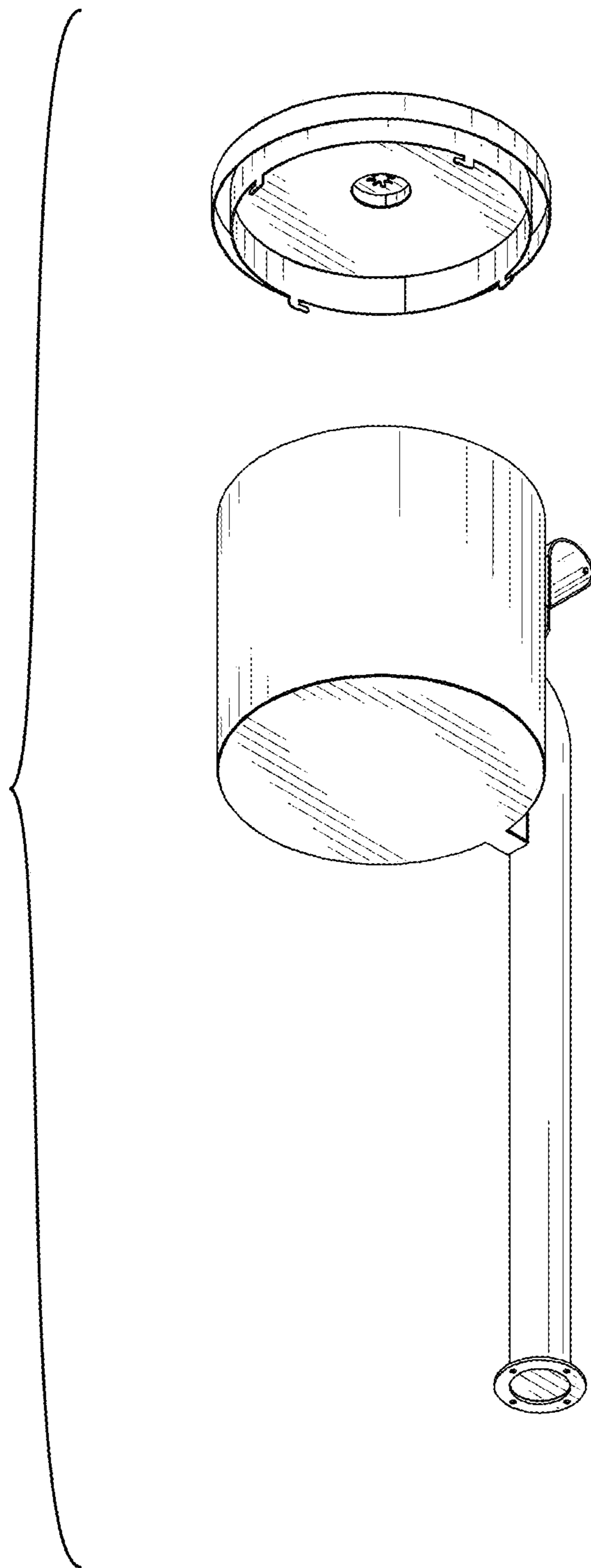


FIG. 11