



US00D982925S

(12) **United States Design Patent** (10) **Patent No.:** **US D982,925 S**
Hunt (45) **Date of Patent:** **** Apr. 11, 2023**

(54) **BASKET**

(56) **References Cited**

(71) Applicant: **Spectrum Diversified Designs, LLC**,
Streetsboro, OH (US)
(72) Inventor: **Bridget Hunt**, Cleveland, OH (US)
(73) Assignee: **SPECTRUM DIVERSIFIED
DESIGNS, LLC**, Glenwillow, OH (US)
(**) Term: **15 Years**
(21) Appl. No.: **29/797,640**
(22) Filed: **Jul. 1, 2021**
(51) **LOC (14) Cl.** **06-04**
(52) **U.S. Cl.**
USPC **D6/513; D3/304**
(58) **Field of Classification Search**
USPC D3/304, 305, 307, 309-314, 319, 323;
D9/414, 416, 431-432, 435, 444, 455,
D9/460, 499, 517, 518, 522, 702-714,
D9/719, 738-740; D6/513, 524, 525,
D6/553, 562, 566
CPC A45C 7/0077; A45C 3/04; A45C 3/10;
B65D 43/0218; B65D 33/00; B65D
33/02; B65D 33/06; B65D 33/065; B65D
33/14; B65D 33/1683; B65D 33/12;
B65D 33/24; B65D 31/00; B65D 31/04;
B65D 31/10; D06F 95/002; A47B 43/00;
A47B 43/003; A47B 46/00; A47B
46/021; A47B 55/00; A47B 55/002; A47B
57/00; A47B 57/14; A47B 57/16; A47B
57/20; A47B 73/00; A47B 73/002; A47B
73/008

U.S. PATENT DOCUMENTS

D579,700	S	*	11/2008	Ghiorghie	D6/513
D584,056	S	*	1/2009	Ghiorghie	D6/513
D588,814	S	*	3/2009	Ghiorghie	D6/513
D616,680	S	*	6/2010	Snider	D6/513
D650,209	S	*	12/2011	Snider	D6/513
D728,255	S	*	5/2015	Guindi	D6/513
D757,457	S	*	5/2016	Guindi	D6/513
D808,654	S	*	1/2018	Lee	D3/306
D808,742	S	*	1/2018	Lee	D7/637
D819,333	S	*	6/2018	Goodman	D3/306
D878,098	S	*	3/2020	Goodman	D6/566
2009/0184077	A1	*	7/2009	Curet	A45D 44/04 211/113
2016/0096542	A1	*	4/2016	Fukushima	B62B 3/1468 224/411

* cited by examiner

Primary Examiner — Mary Shannon Malley
Assistant Examiner — Christopher John Suarez La Rosa
(74) *Attorney, Agent, or Firm* — Tucker Ellis LLP

(57) **CLAIM**

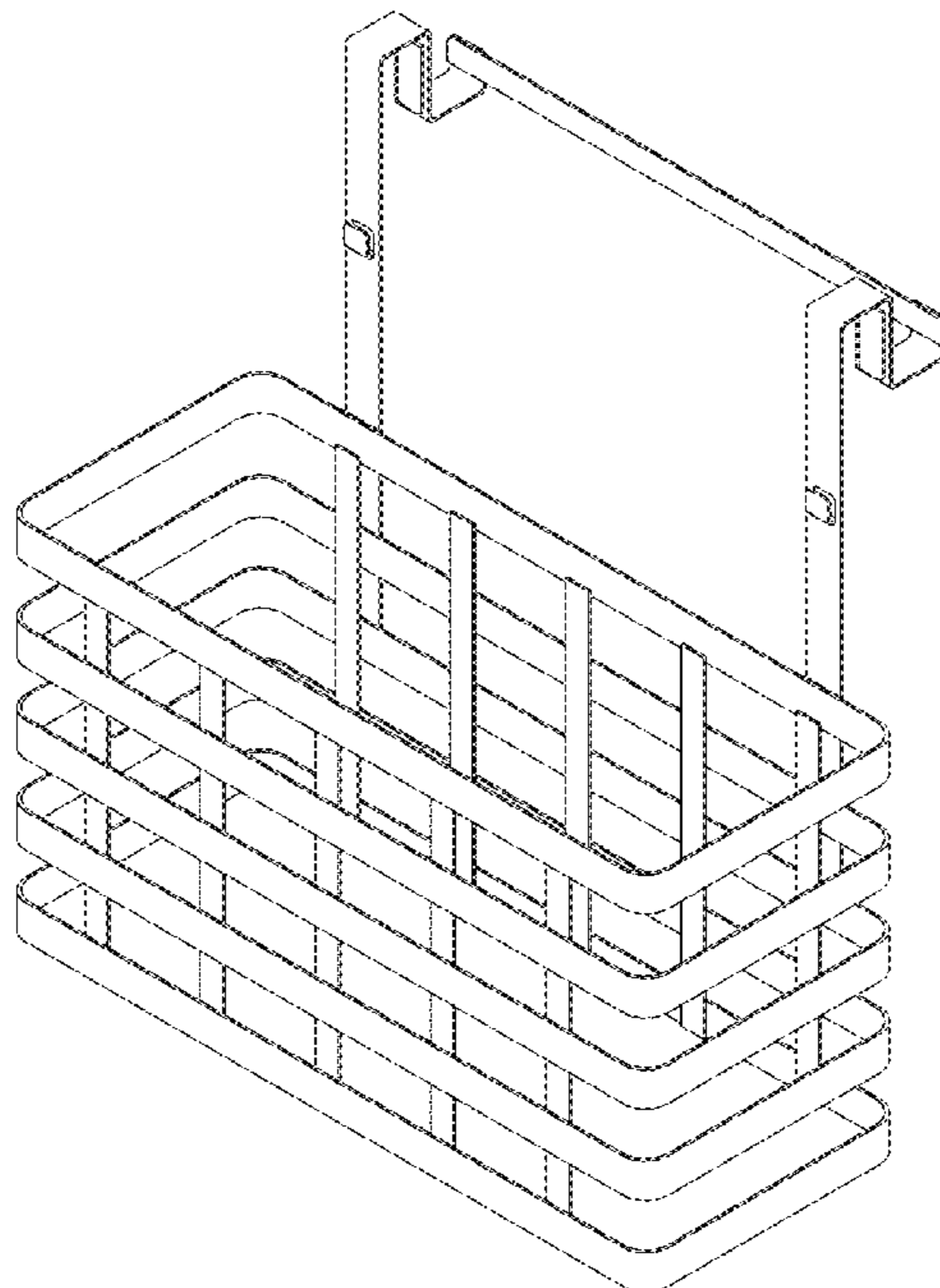
The ornamental design for a basket, as shown and described.

DESCRIPTION

FIG. 1 is a front perspective view of a basket showing my new design.
FIG. 2 is a rear perspective view thereof.
FIG. 3 is a front view thereof.
FIG. 4 is a rear view thereof.
FIG. 5 is a left side view thereof.
FIG. 6 is a right side view thereof.
FIG. 7 is a top view thereof; and,
FIG. 8 is a bottom view thereof.

See application file for complete search history.

1 Claim, 7 Drawing Sheets



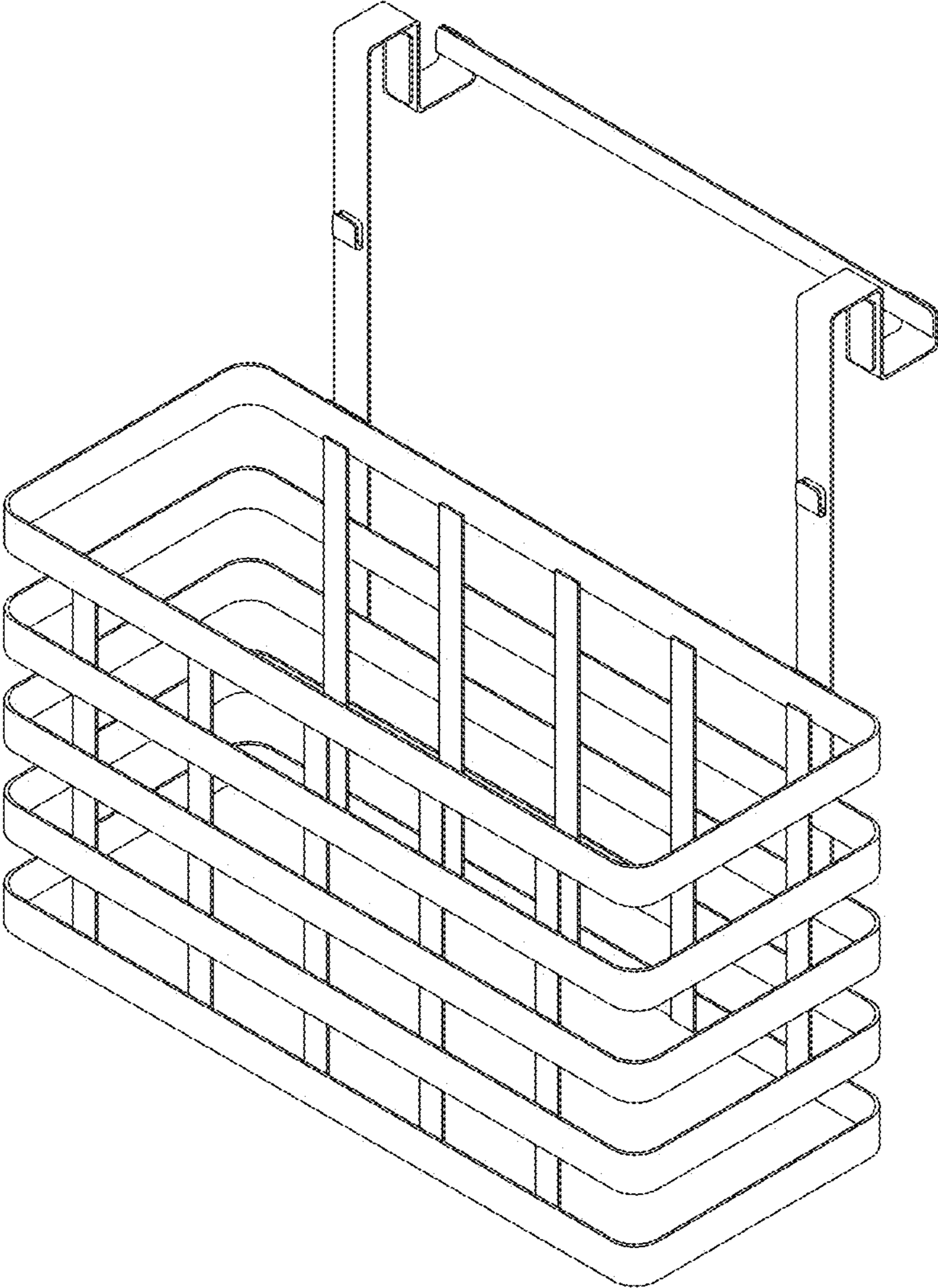


FIG. 1

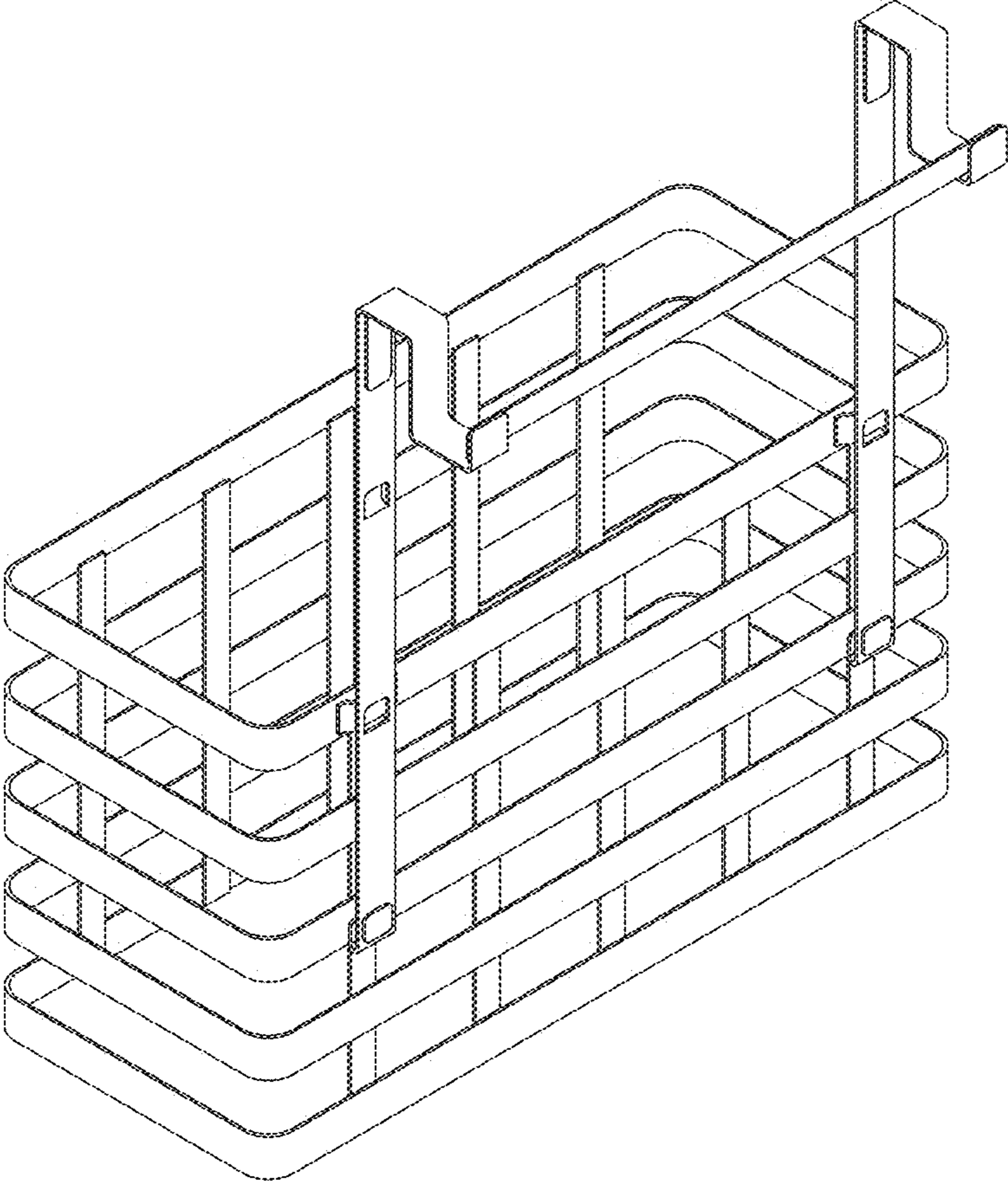


FIG. 2

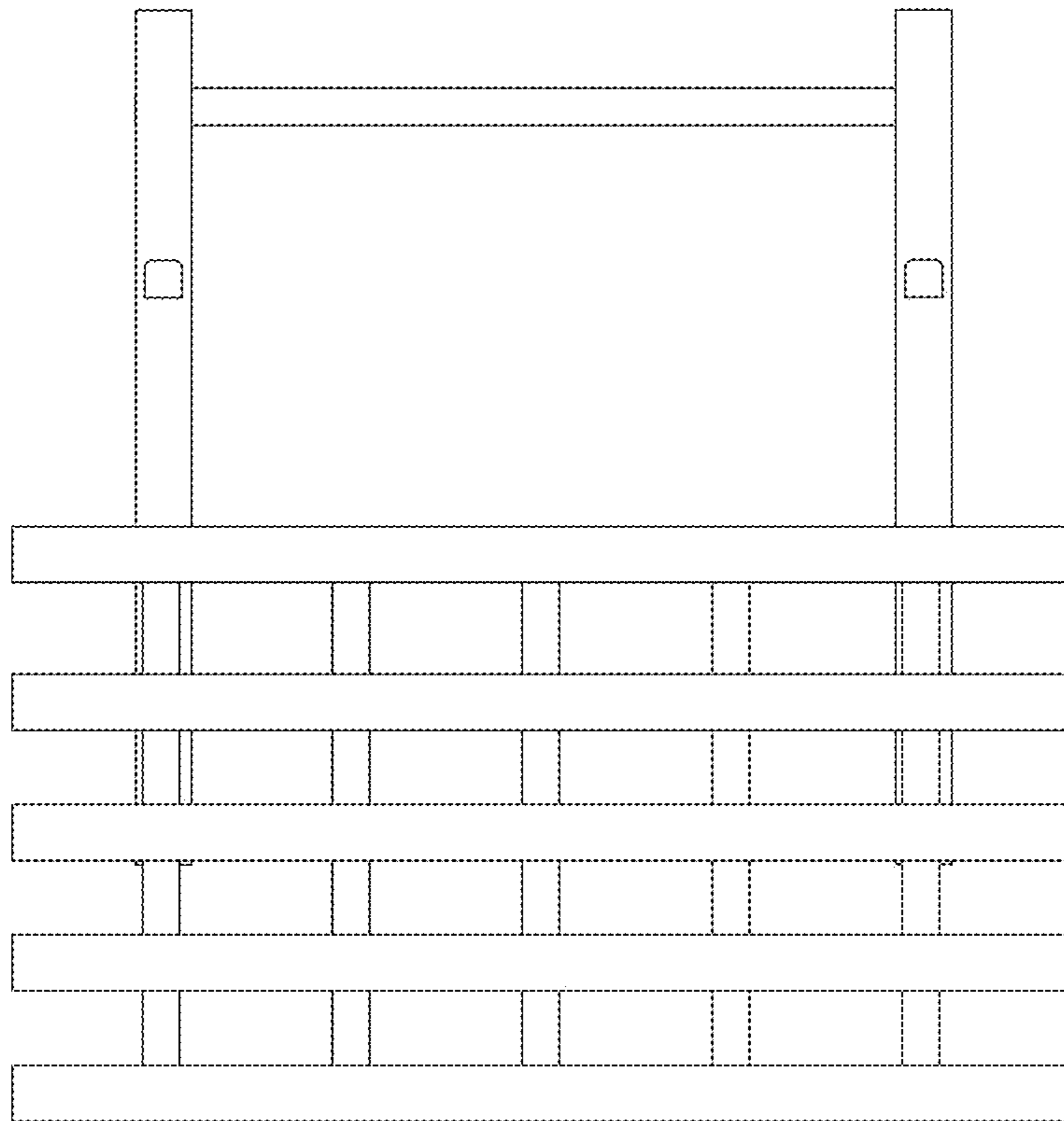


FIG. 3

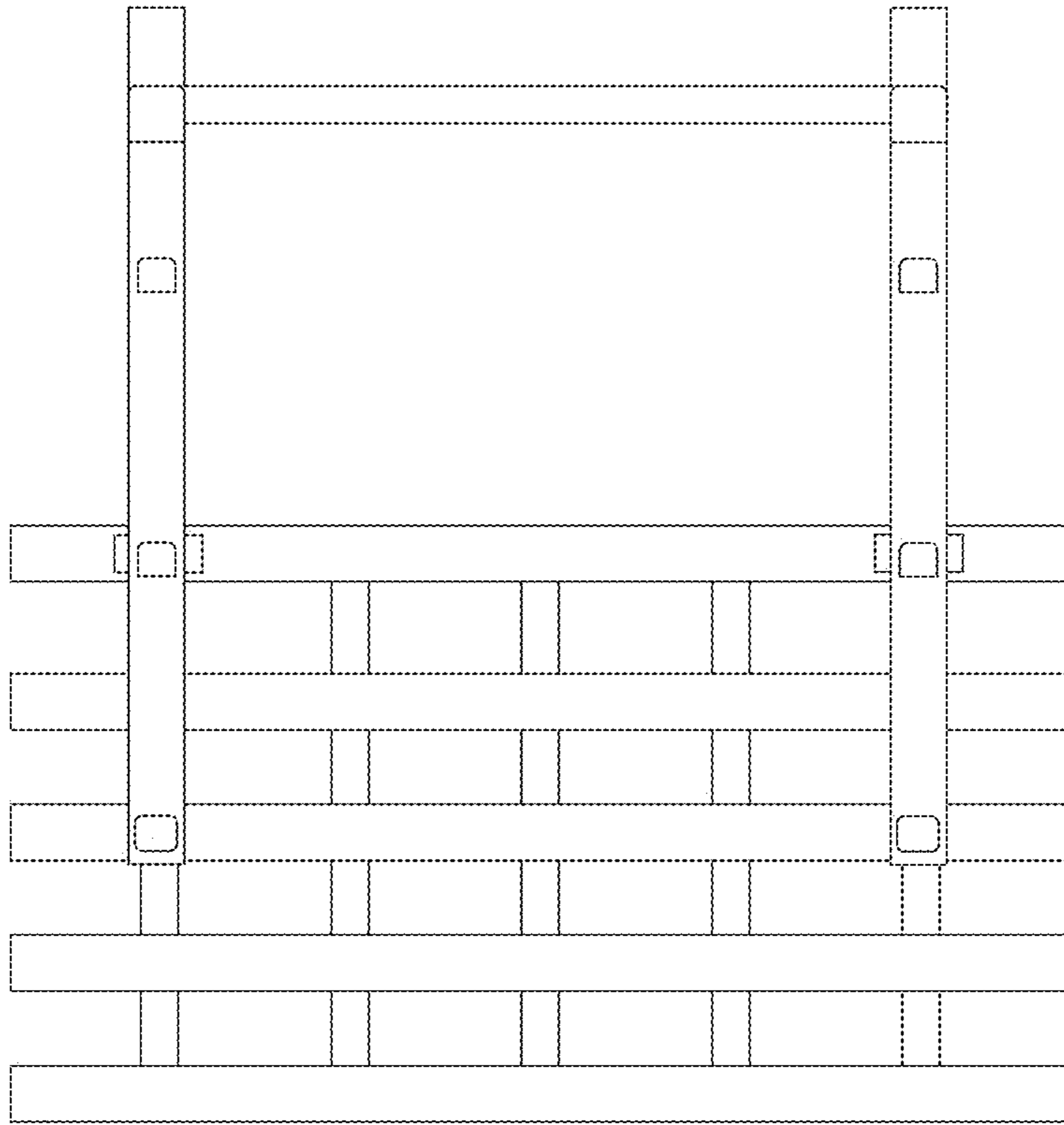


FIG. 4

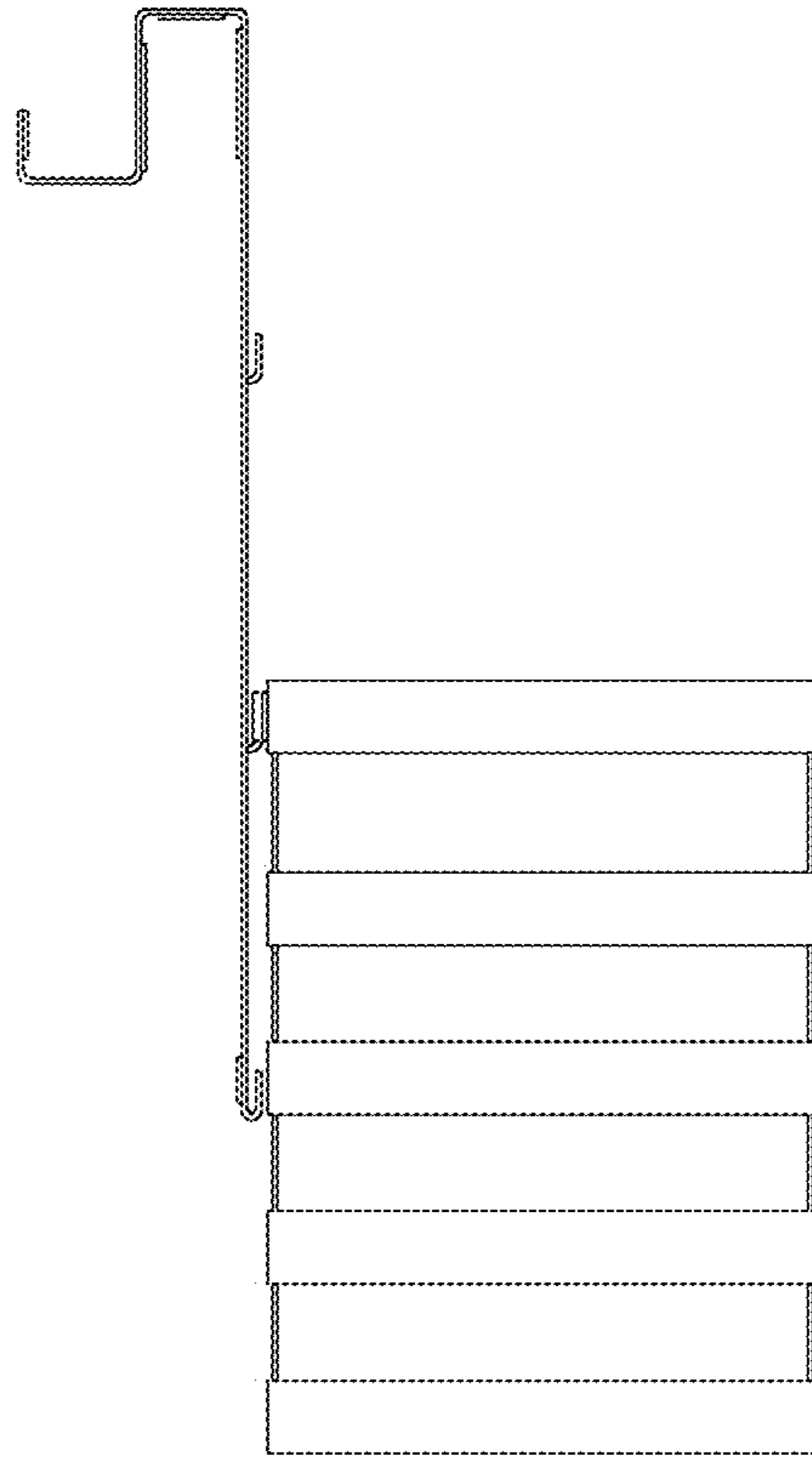


FIG. 5

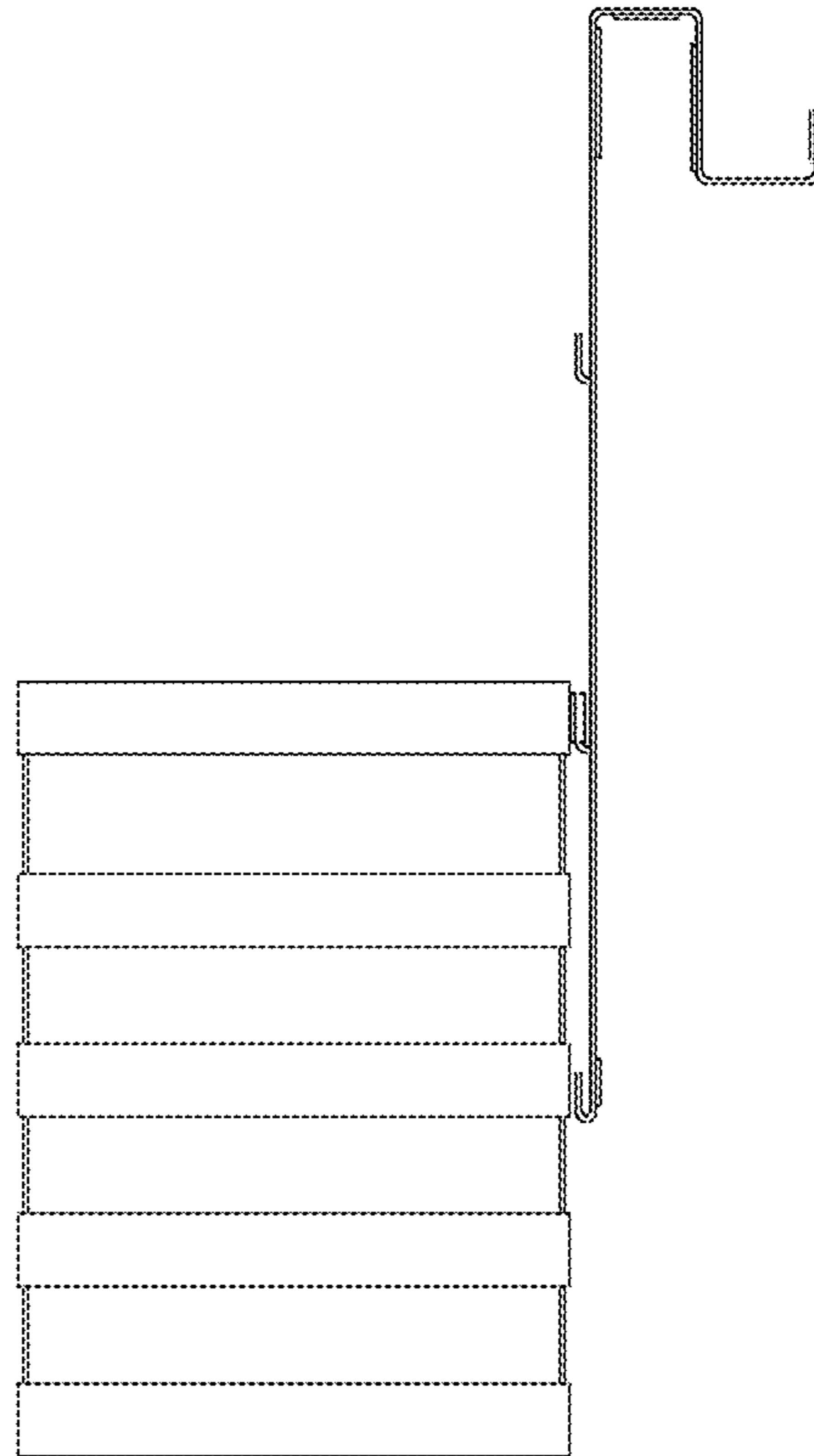


FIG. 6

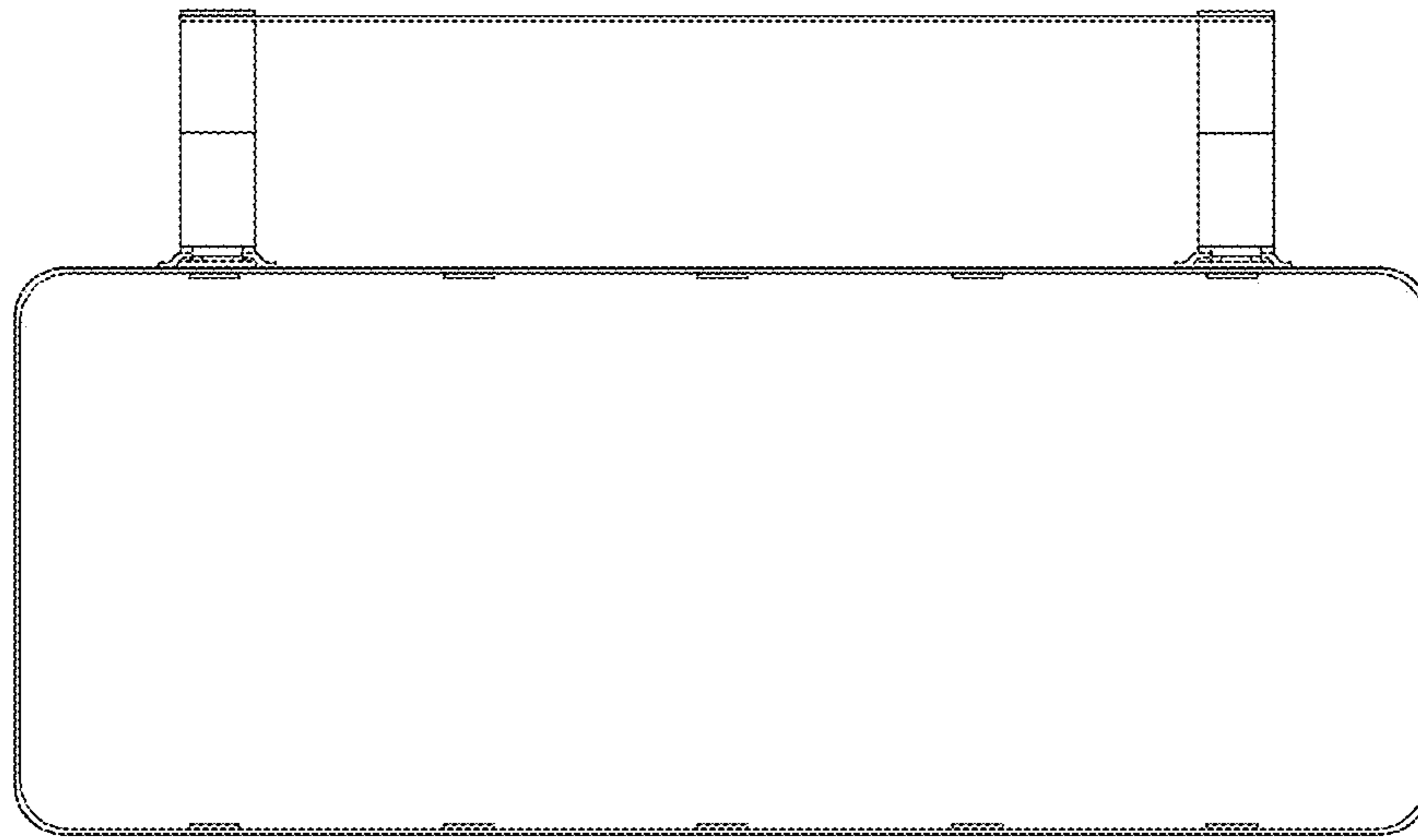


FIG. 7

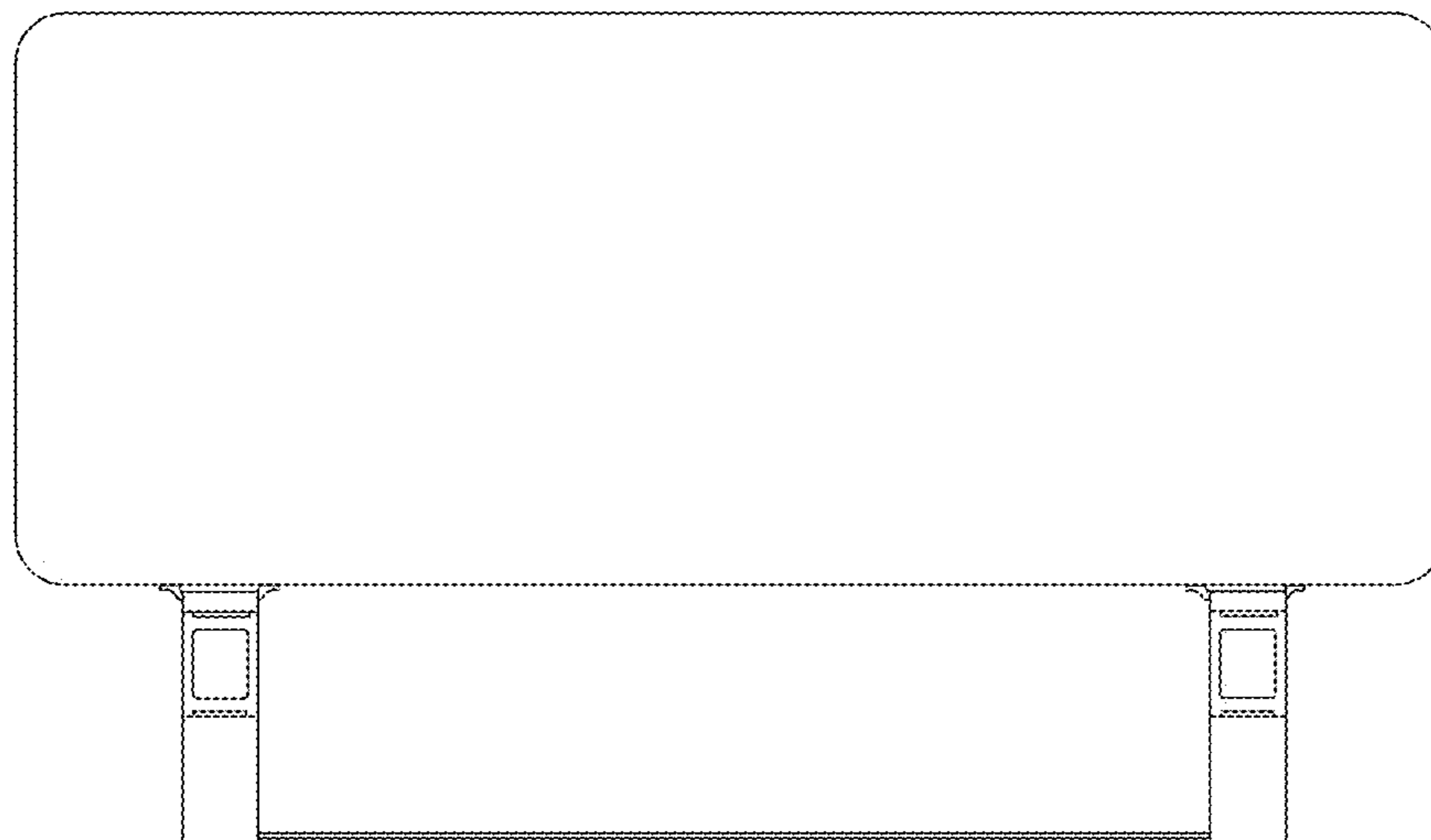


FIG. 8