



US00D982924S

(12) **United States Design Patent** (10) **Patent No.:** **US D982,924 S**
Xie (45) **Date of Patent:** **** Apr. 11, 2023**

(54) **LAPTOP STAND**
(71) Applicant: **Fuyang Xie**, Zhejiang (CN)
(72) Inventor: **Fuyang Xie**, Zhejiang (CN)
(**) Term: **15 Years**
(21) Appl. No.: **29/798,376**
(22) Filed: **Jul. 7, 2021**
(51) **LOC (14) Cl.** **06-04**
(52) **U.S. Cl.**
USPC **D6/406.3**
(58) **Field of Classification Search**
USPC D14/251, 252, 253, 432, 433, 434, 440,
D14/447, 451, 452, 457; D6/406.3,
D6/406.4, 406.5, 406.6, 655, 656;
D19/91, 113; D13/107, 108
CPC A47B 2023/049; A47B 2097/006; A47B
23/04; A47B 23/043; A47B 23/044
See application file for complete search history.

D917,914 S * 5/2021 Deng D6/406.5
D932,207 S * 10/2021 Sullins D6/406.5
D932,497 S * 10/2021 Reyes D14/447
D944,554 S * 3/2022 Zhang D6/406.5
D944,555 S * 3/2022 Zhang D6/406.5

OTHER PUBLICATIONS

Amazon.com_SONGMICS Lap Desk, first available Jul. 17, 2020 [online], retrieved Aug. 11, 2022, available at URL: <https://a.co/d/cQIvTAQ> (Year: 2020).*
Amazon.com_Huanuo Adjustable Lap Desk, first available Oct. 11, 2019 [online], retrieved Aug. 11, 2022, available at URL: <https://a.co/d/j5cWgTV> (Year: 2019).*

* cited by examiner

Primary Examiner — Wendy L Arminio
Assistant Examiner — Carrie S Gelula
(74) *Attorney, Agent, or Firm* — ScienBiziP, P.C.

(57) **CLAIM**

The ornamental design for a laptop stand, as shown and described.

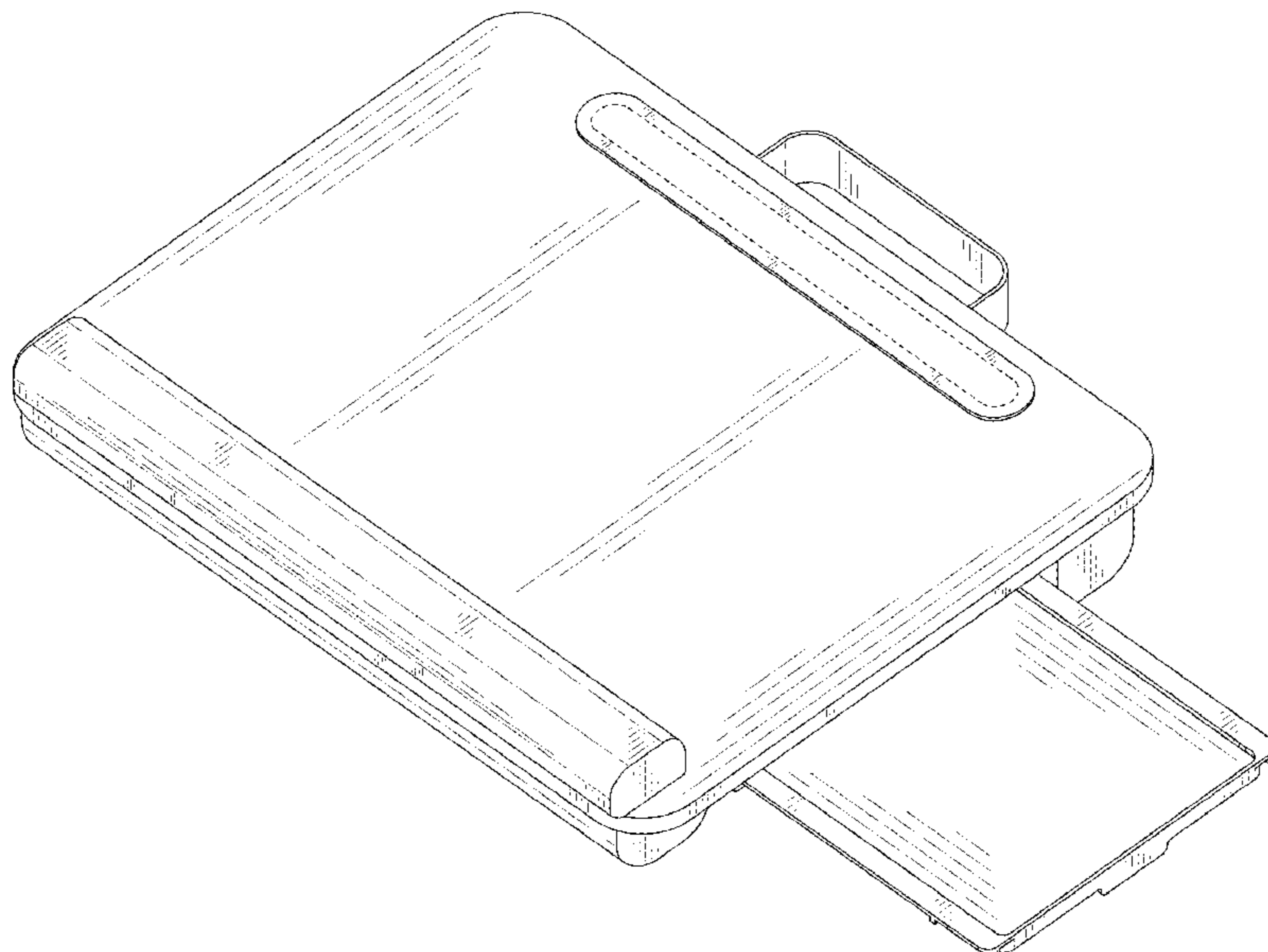
DESCRIPTION

FIG. 1 is a front, right, and top perspective view of a laptop stand, showing my design.
FIG. 2 is a rear, left, and bottom perspective view thereof.
FIG. 3 is a front elevation view thereof.
FIG. 4 is a rear elevation view thereof.
FIG. 5 is a left side elevation view thereof.
FIG. 6 is a right side elevation view thereof.
FIG. 7 is a top plan view thereof.
FIG. 8 is a bottom plan view thereof; and,
FIG. 9 is a perspective view of the laptop stand of FIG. 1 wherein the supporting plate of the laptop stand is retracted. The broken lines shown in the drawings are included for the purpose of illustrating portions of the laptop stand that form no part of the claimed design.

(56) **References Cited**
U.S. PATENT DOCUMENTS

D335,227 S * 5/1993 Lapsker D14/149
D499,574 S * 12/2004 Spicer D6/406.3
D583,164 S * 12/2008 Jennings D6/406.6
D609,027 S * 2/2010 Jennings D6/406.5
D619,823 S * 7/2010 Jennings D6/406.3
D621,406 S * 8/2010 Hoehn D14/447
D663,546 S * 7/2012 Jennings D6/406.3
D701,213 S * 3/2014 Pajic D14/447
D737,829 S * 9/2015 Lee D14/447
D836,937 S * 1/2019 Sullins D6/406.3
D843,752 S * 3/2019 Sullins D6/406.5
D853,147 S * 7/2019 Chen D6/406.5
D887,166 S * 6/2020 Ren D6/406.5
D912,432 S * 3/2021 Sullins D6/406.3
D913,720 S * 3/2021 Zhang D6/406.6
D914,393 S * 3/2021 Xie D6/406.6

1 Claim, 9 Drawing Sheets



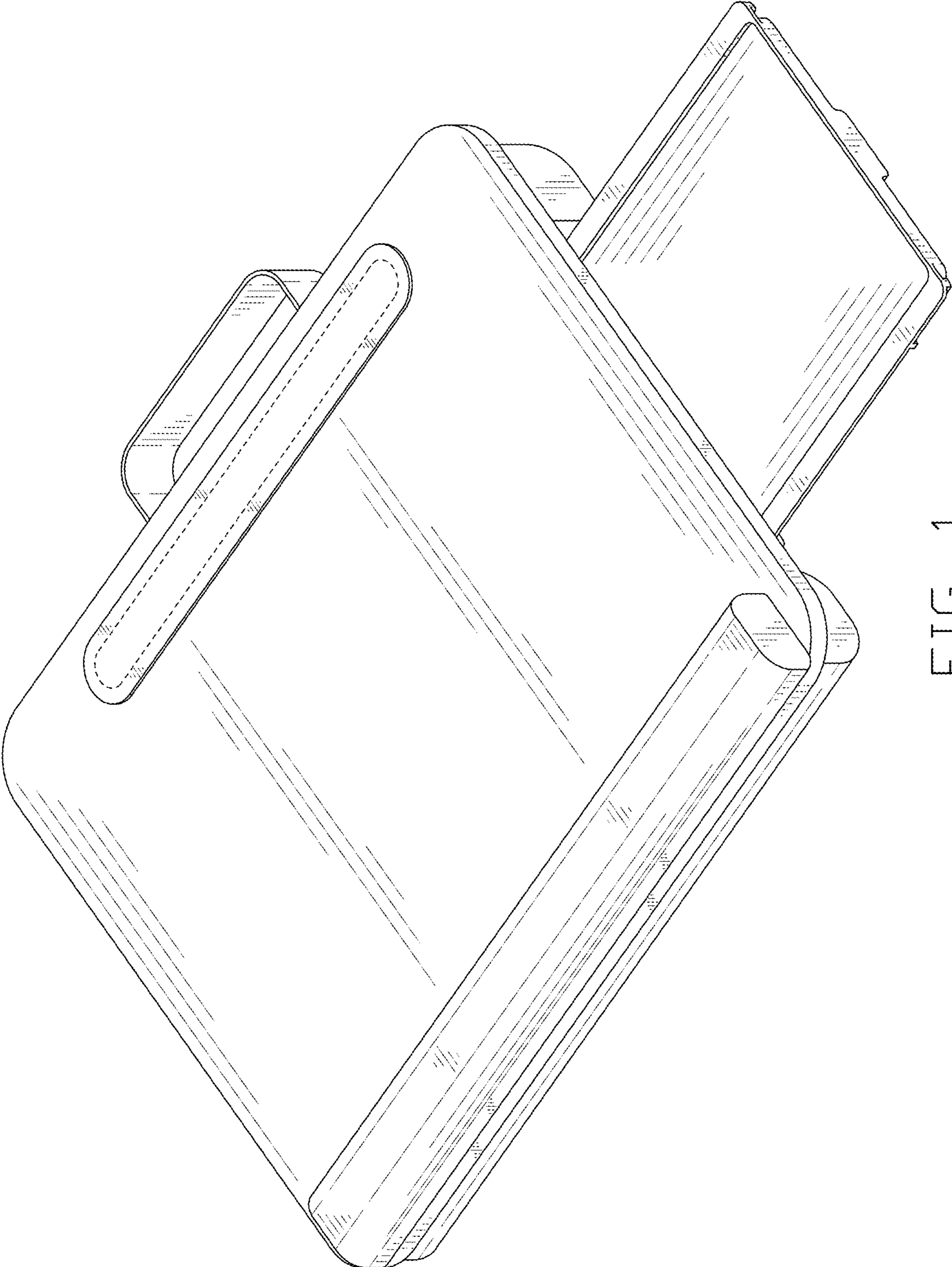


FIG. 1

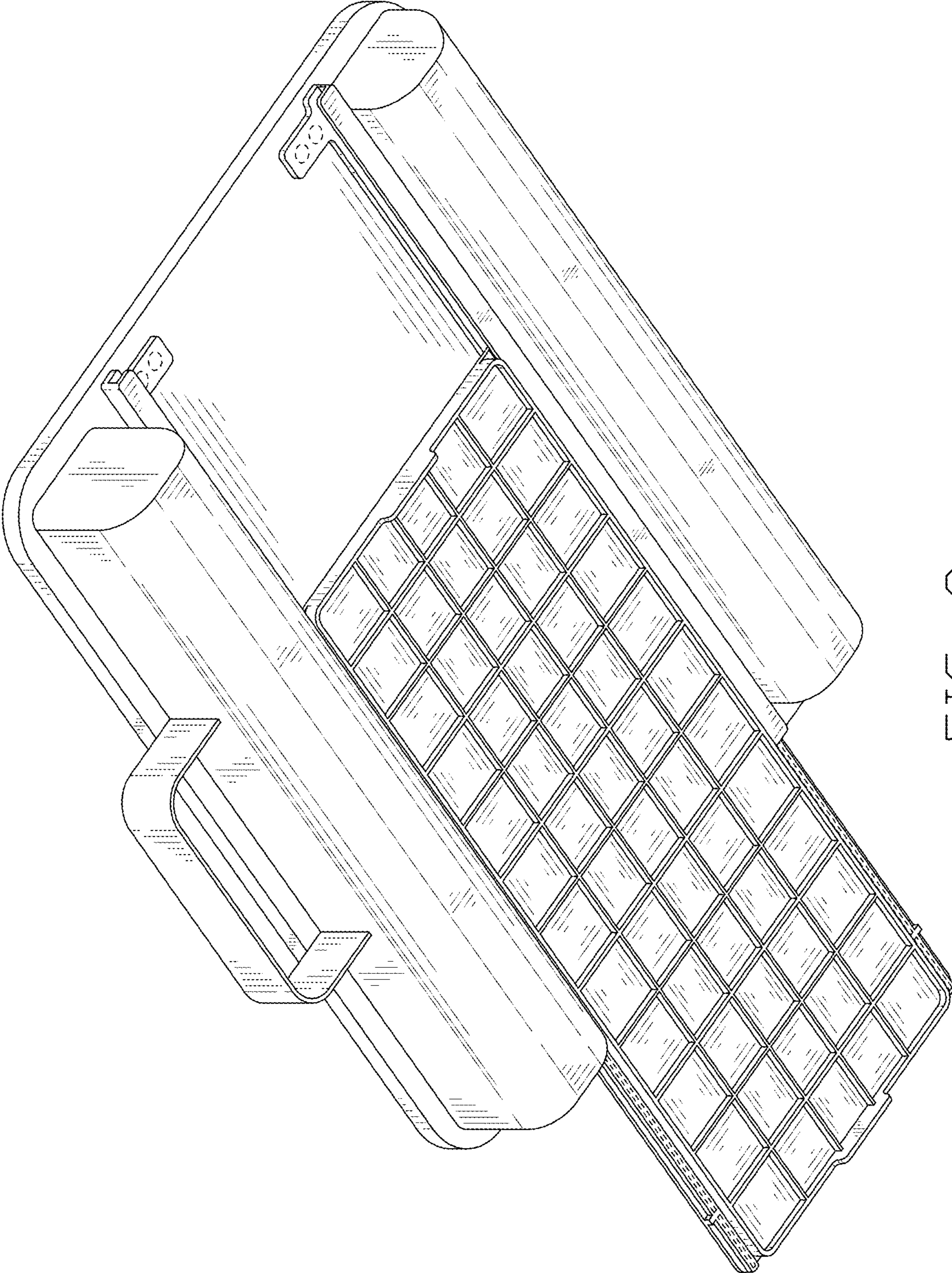


FIG. 2

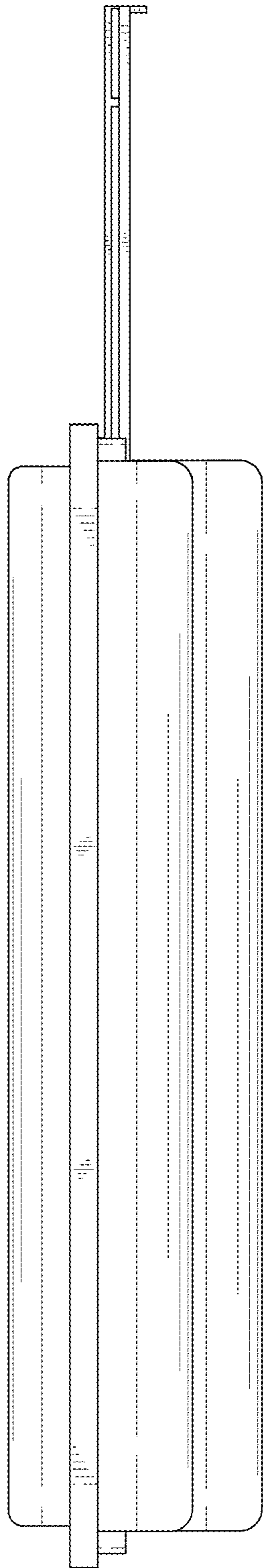


FIG. 3

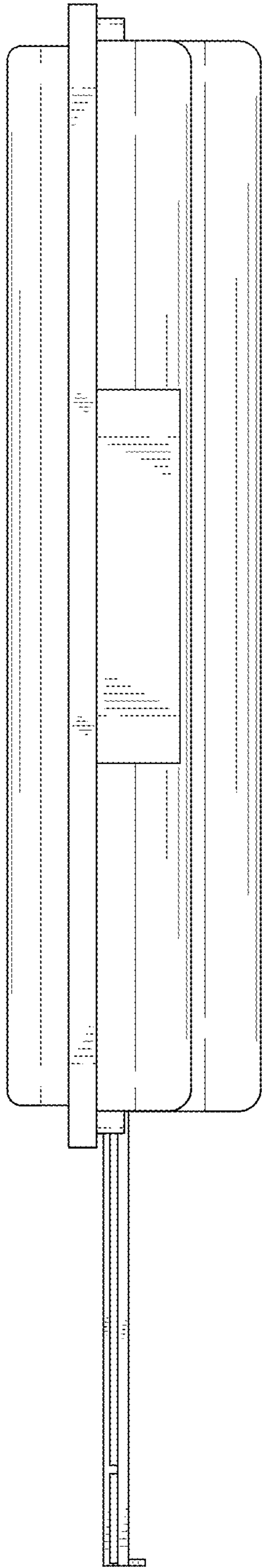


FIG. 4

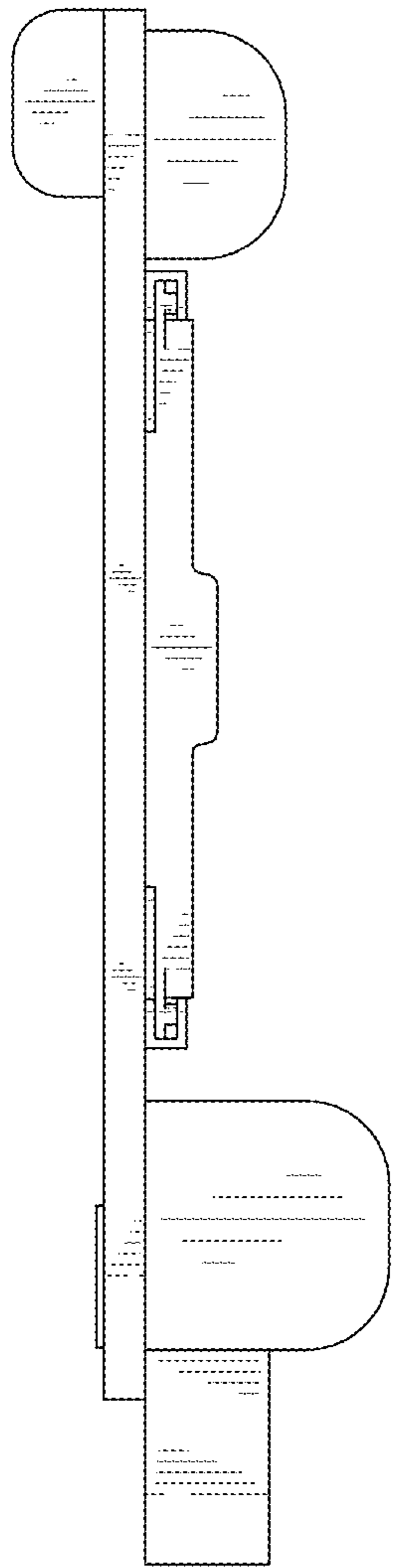


FIG. 5

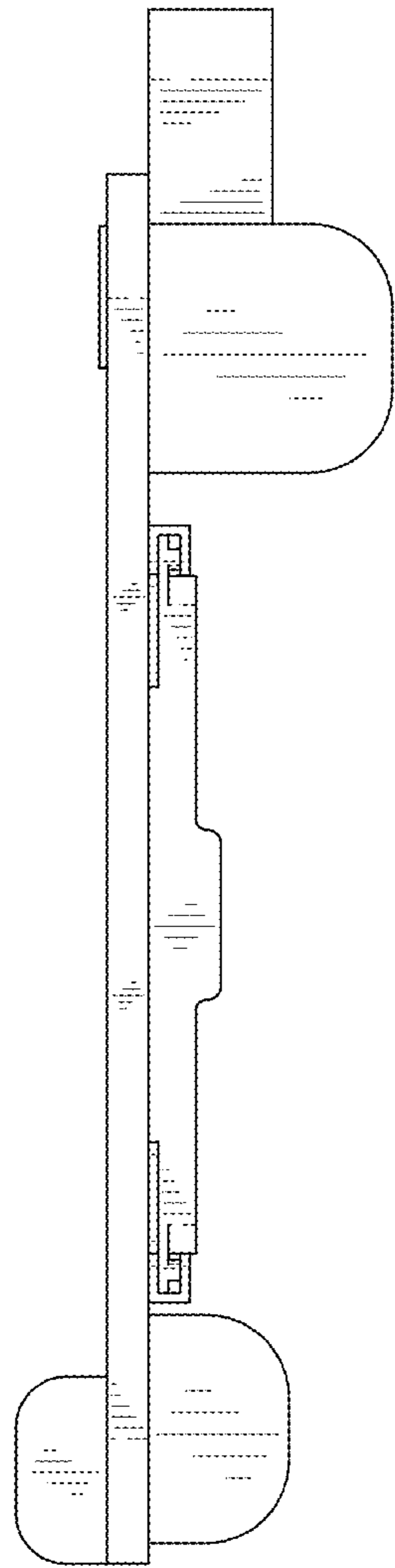


FIG. 6

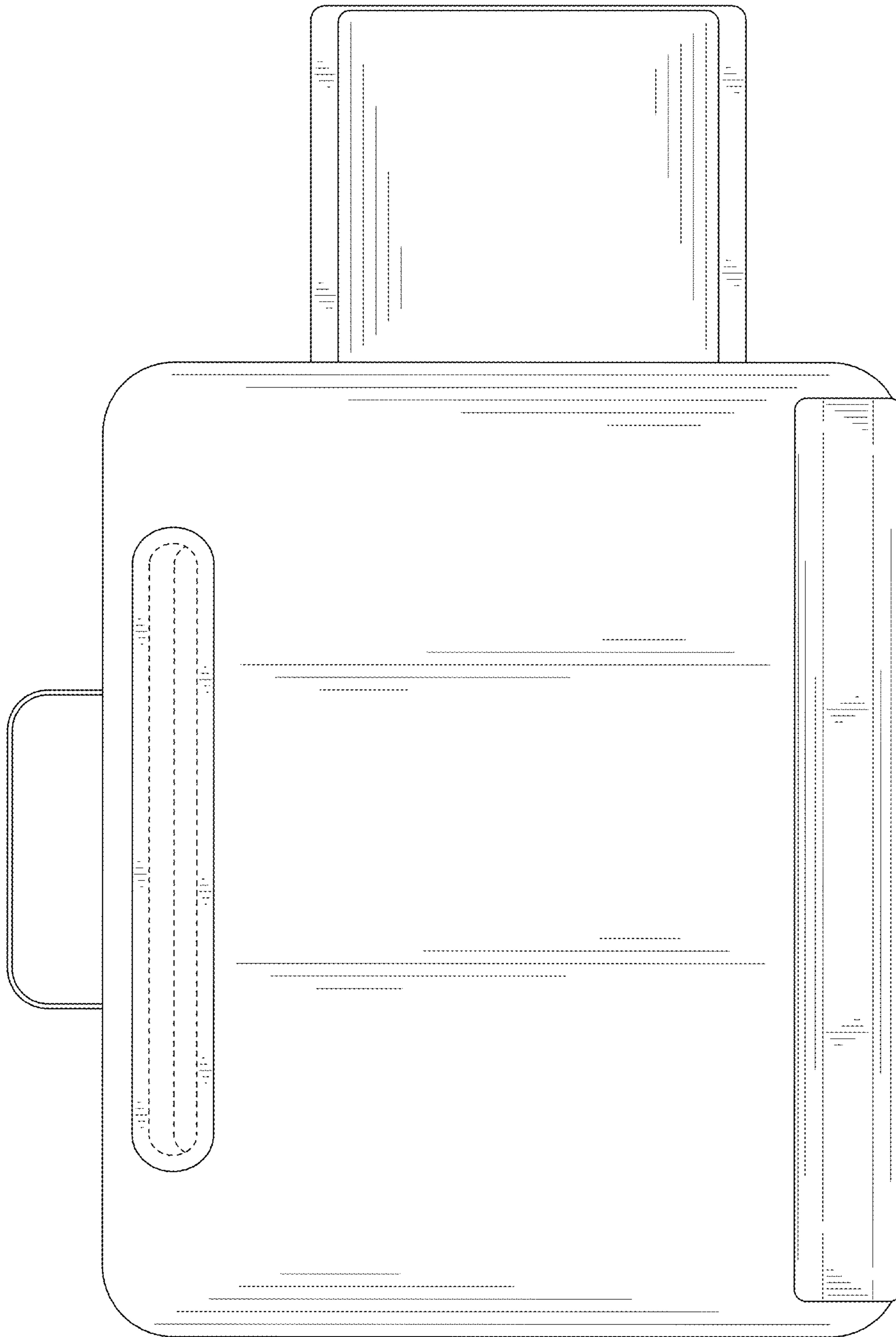


FIG. 7

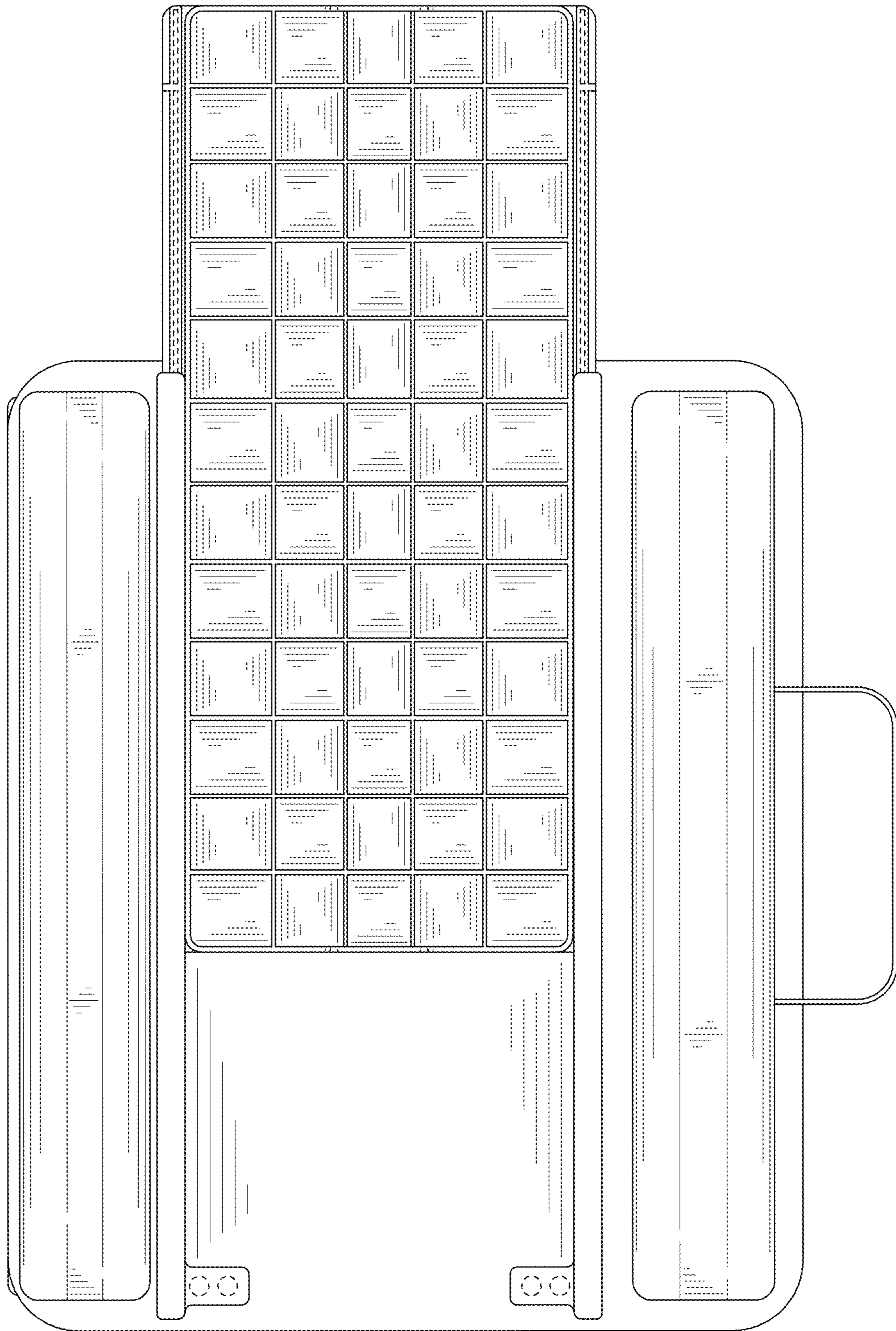


FIG. 8

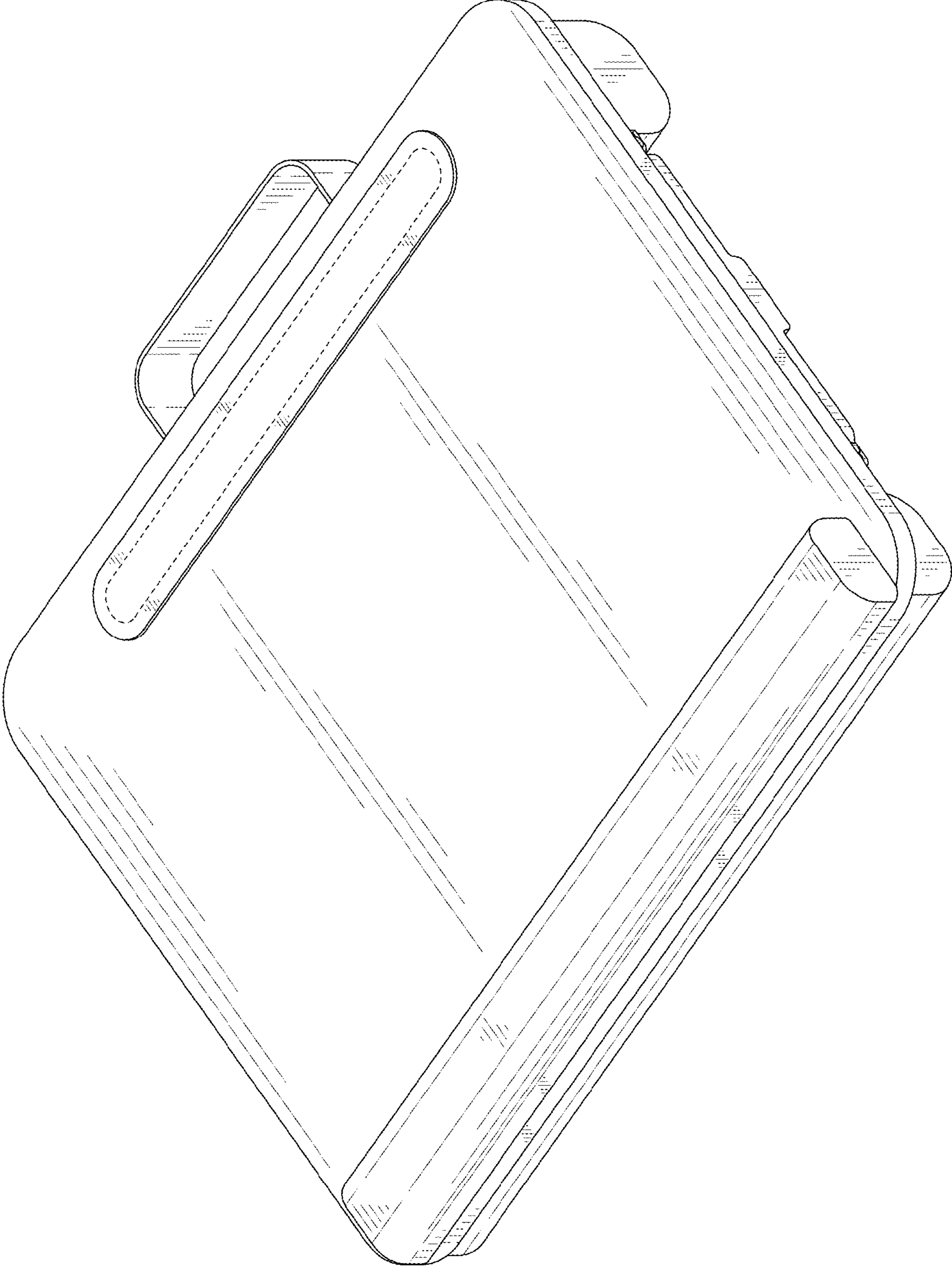


FIG. 9