



US00D982923S

(12) **United States Design Patent**
Mingqin

(10) **Patent No.:** **US D982,923 S**

(45) **Date of Patent:** **** Apr. 11, 2023**

- (54) **SOFA**
- (71) Applicant: **Gan Mingqin**, Guangdong (CN)
- (72) Inventor: **Gan Mingqin**, Guangdong (CN)
- (73) Assignee: **FOSHAN WEIQUAN TRADING CO., LTD**, Foshan (CN)
- (**) Term: **15 Years**
- (21) Appl. No.: **29/840,105**
- (22) Filed: **May 26, 2022**
- (51) **LOC (14) Cl.** **06-01**
- (52) **U.S. Cl.**
USPC **D6/381**
- (58) **Field of Classification Search**
USPC D6/334, 335, 336, 337, 341, 346, 368,
D6/375, 378, 381, 382, 392, 393, 394,
D6/395, 595, 596, 604, 605
CPC A47C 17/04; A47C 17/13; A47C 17/207;
A47C 17/2073
See application file for complete search history.

- D495,514 S 9/2004 Ricci
 - D515,334 S 2/2006 Natuzzi
 - D536,190 S 2/2007 Oldham
 - D544,247 S 6/2007 Natuzzi
 - D559,003 S 1/2008 Lissoni
 - D562,582 S 2/2008 Hackethal et al.
 - D581,690 S * 12/2008 Sempe D6/381
 - D584,524 S 1/2009 Ricci
 - D585,653 S * 2/2009 Sempe D6/334
 - D600,939 S 9/2009 Natuzzi
 - D612,167 S 3/2010 Mourgue
- (Continued)

(56) **References Cited**

U.S. PATENT DOCUMENTS

- D115,429 S * 6/1939 Stoll D6/381
- D243,217 S 2/1977 Warsaw
- 4,026,567 A 5/1977 Rye
- D247,595 S 3/1978 Corson et al.
- D250,231 S 11/1978 Wilson
- D255,000 S * 5/1980 Dybal D6/381
- D260,582 S 9/1981 Luthy
- D265,869 S 8/1982 Luthy
- D270,213 S 8/1983 Ochsner
- D298,389 S * 11/1988 Culler D6/381
- D320,512 S 10/1991 Van Den Berg
- D339,243 S * 9/1993 Durling D6/381
- D387,573 S 12/1997 Lewis
- D443,996 S * 6/2001 Nicoletti D6/381
- D448,946 S 10/2001 Goetz

OTHER PUBLICATIONS

Becomehome by lumna, first available: Oct. 25, 2021. lumna.co [online], [site visited Jul. 14, 2022], Internet URL: https://lumna.co/product/becomehomeG-SxC2M (Year: 2021).*

(Continued)

Primary Examiner — Mary Ann Calabrese
Assistant Examiner — Hillary Catherine Shepard
(74) *Attorney, Agent, or Firm* — LegalForce RAPC Worldwide

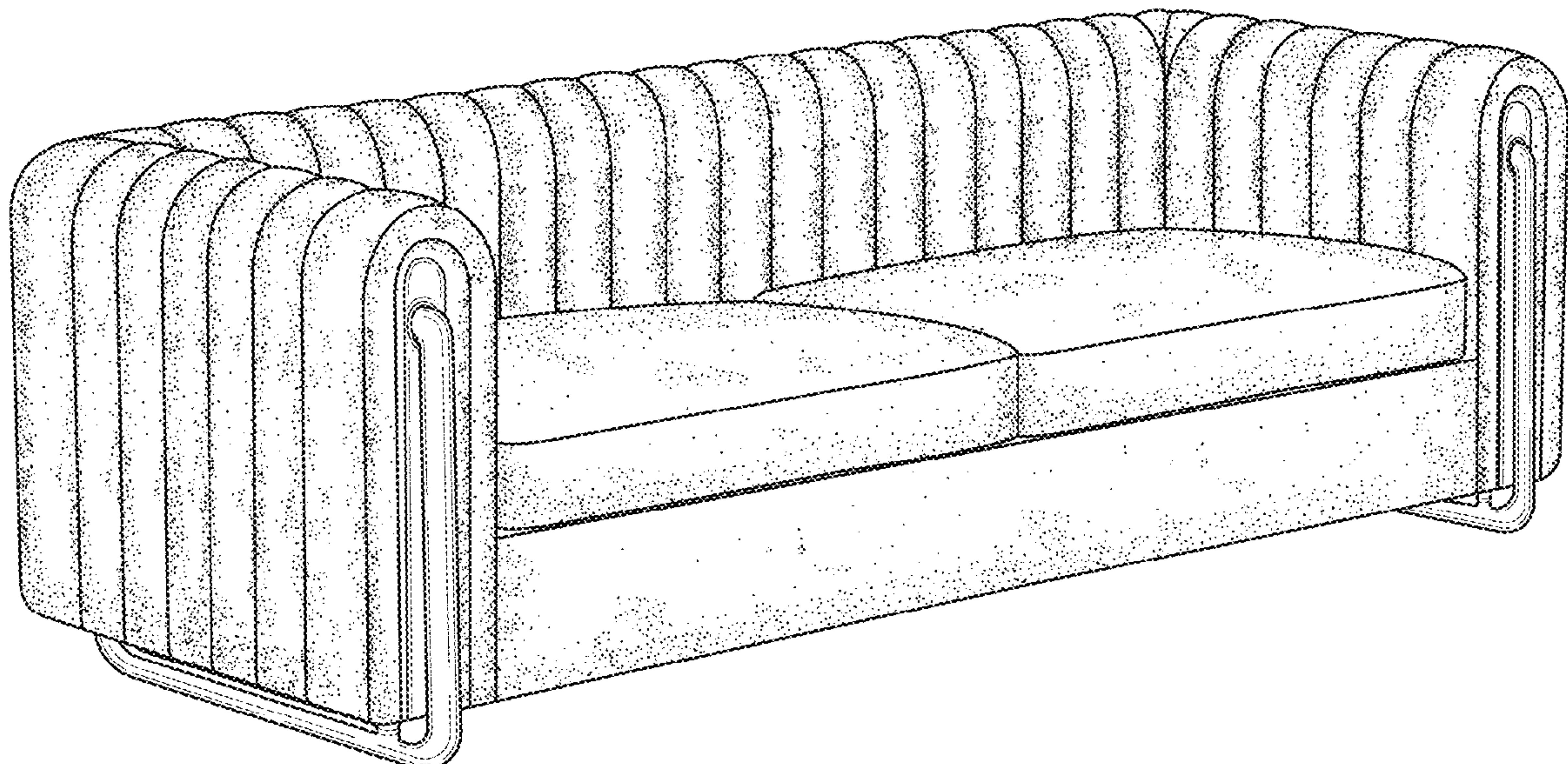
(57) **CLAIM**

The ornamental design for a sofa, as shown and described.

DESCRIPTION

FIG. 1 is a front left side perspective view for a sofa, showing my new design;
FIG. 2 is a front elevational view of FIG. 1 thereof;
FIG. 3 is a rear elevational view of FIG. 1 thereof;
FIG. 4 is a left side elevational view of FIG. 1 thereof, the right side elevational view being a mirror image;
FIG. 5 is a top plan view of FIG. 1 thereof; and,
FIG. 6 is a bottom plan view of FIG. 1 thereof.
The broken lines indicate unclaimed portions of the sofa and form no part of the claimed design.

1 Claim, 6 Drawing Sheets



(56)

References Cited

U.S. PATENT DOCUMENTS

D616,664	S	6/2010	Natuzzi	
D617,112	S	6/2010	Tsai	
D640,479	S *	6/2011	Sempe	D6/375
D660,033	S	5/2012	Nguyen	
D661,917	S	6/2012	Citterio	
D677,488	S	3/2013	Suma	
D677,924	S	3/2013	Lenney et al.	
D683,158	S	5/2013	Banda	
D698,179	S	1/2014	Nguyen et al.	
D730,656	S	6/2015	Urquiola	
D732,867	S *	6/2015	Garcia	D6/717
D770,795	S *	11/2016	Sempe	D6/381
D807,660	S	1/2018	Hughes	
D811,110	S	2/2018	Garrison	
D814,206	S	4/2018	Garrison	
D814,207	S	4/2018	Garrison	
D830,716	S	10/2018	Lim	
D858,134	S	9/2019	Natuzzi	
D859,026	S	9/2019	Lipparini	
D859,027	S	9/2019	Bellini	
D859,028	S	9/2019	Tapinassi et al.	
D865,391	S *	11/2019	Natuzzi	D6/367
D885,067	S	5/2020	Wilson et al.	
D890,542	S	7/2020	Bellini	
D909,088	S	2/2021	Chandhok	
D913,008	S *	3/2021	Henriksen	D6/381
D936,379	S	11/2021	Su	
D948,878	S	4/2022	Andersen et al.	
2006/0103197	A1 *	5/2006	Baines	A47C 31/11 297/229

OTHER PUBLICATIONS

Modern Velvet Sofa by MGH, first available: Jul. 26, 2021. Amazon.com [online], [site visited Jul. 14, 2022], Internet URL: https://www.amazon.com/MGH-Collection-Contemporary-Upholstered-Stainless/dp/B09B7MVKTZ/ref=sr_1_22 (Year: 2021).*

US Trademark Serial No. 90849768; Mark—Evergrate Furniture Filing date: Jul. 27, 2021.
 “Keyser Sofa” by Christopher Knight Home Store, Published Online on [Dec. 11, 2020] https://m.media-amazon.com/images/I/71Tye+PGR8L._AC_SL1500_.jpg.
 “Lethbridge White Tufted Velvet Sofa” by Safavieh Store, Published Online on [Oct. 9, 2017] https://m.media-amazon.com/images/I/91n437DtpXL._AC_.SX679_.jpg.
 “Velvet Tuxedo Arm Sofa” by Willa Arlo™ Interiors, Found Online on [May 23, 2022] <https://secure.img1-fg.wfcdn.com/im/22582328/resize-h755-w755%5Ecompr-r85/1583/158346286/Herbert+86.5%27%27+Velvet+Tuxedo+Arm+Sofa.jpg>.
 “Hercules Gallant Series Contemporary Black Leathersoft Sofa With Stainless Steel Frame” by Flash Furniture Store, Found Online on [May 23, 2022] https://m.media-amazon.com/images/I/81iBouq9+jL._AC_SX679_.jpg.
 “Sofa with Fabric Upholstery and Metal Trim, Blue and Gold” by Benjara Store, Published Online on [Feb. 20, 2022] https://m.media-amazon.com/images/I/51Py9JV-mtL._AC_SL1500_.jpg.
 “Modern Velvet Sofa” by MGH, Published Online on [Aug. 10, 2021] https://m.media-amazon.com/images/I/41CNjE6AXdL._SS1000_.jpg.
 “Velvet Fabric Buttom Living Room Sofa Multifunction Metal Frame Apartment Folding Modern Sofa Bed” by Calandis Design Group, Found Online on [May 23, 2022] https://cdn.shopify.com/s/files/1/0557/3577/9481/products/1632822003159kUHMf6_1024x1024.jpg?v=1634894103.
 “Green Velvet Tuxedo Sofa” by WoodPeckerz Furniture, Found Online on [May 23, 2022] https://cdn.shopify.com/s/files/1/0518/2491/8705/products/undef_src_sa_pacid_725949_x_1800_type_color_imagedddd_1024x1024.jpg?v=1623247983.

* cited by examiner

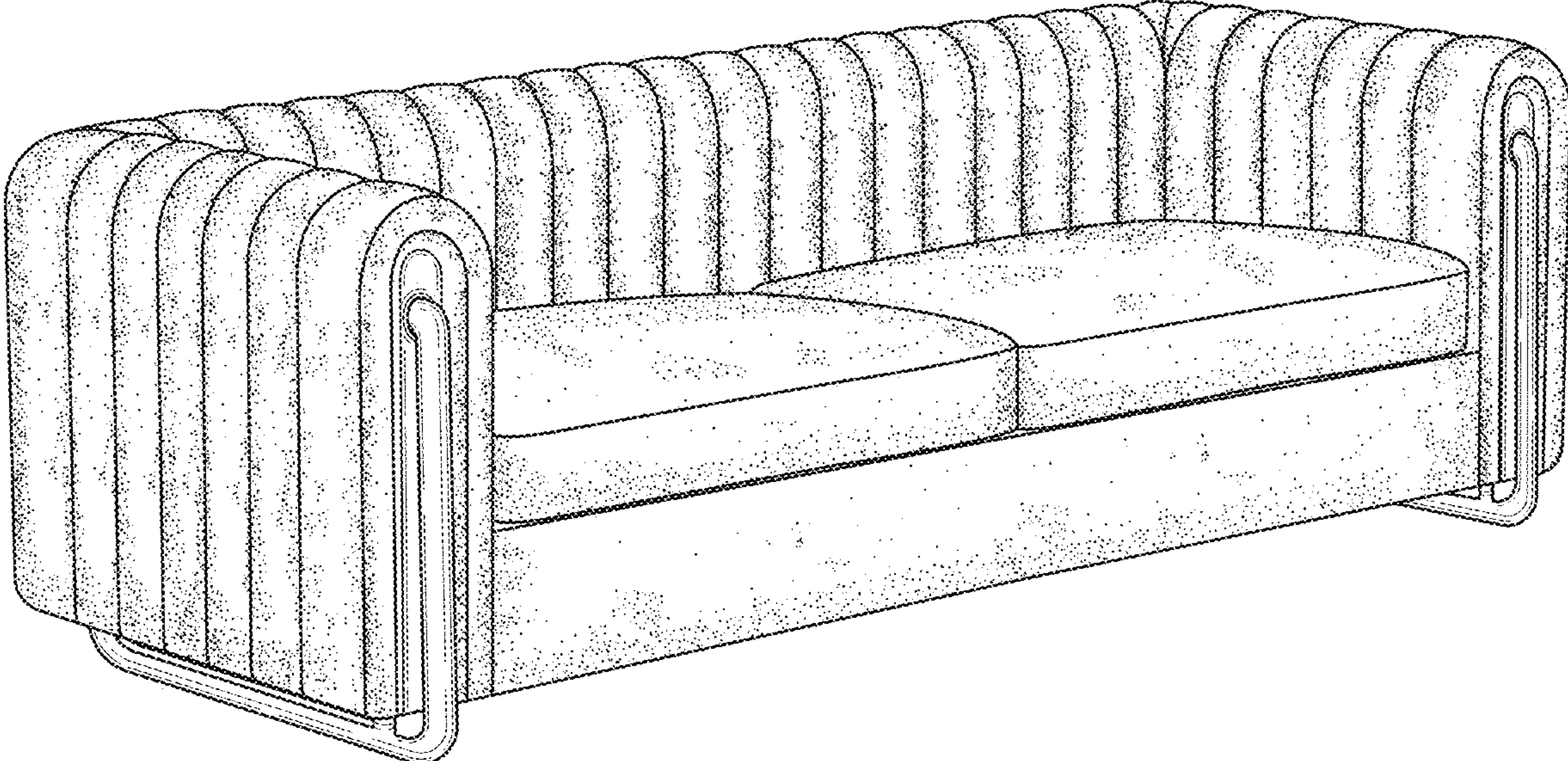


FIG. 1

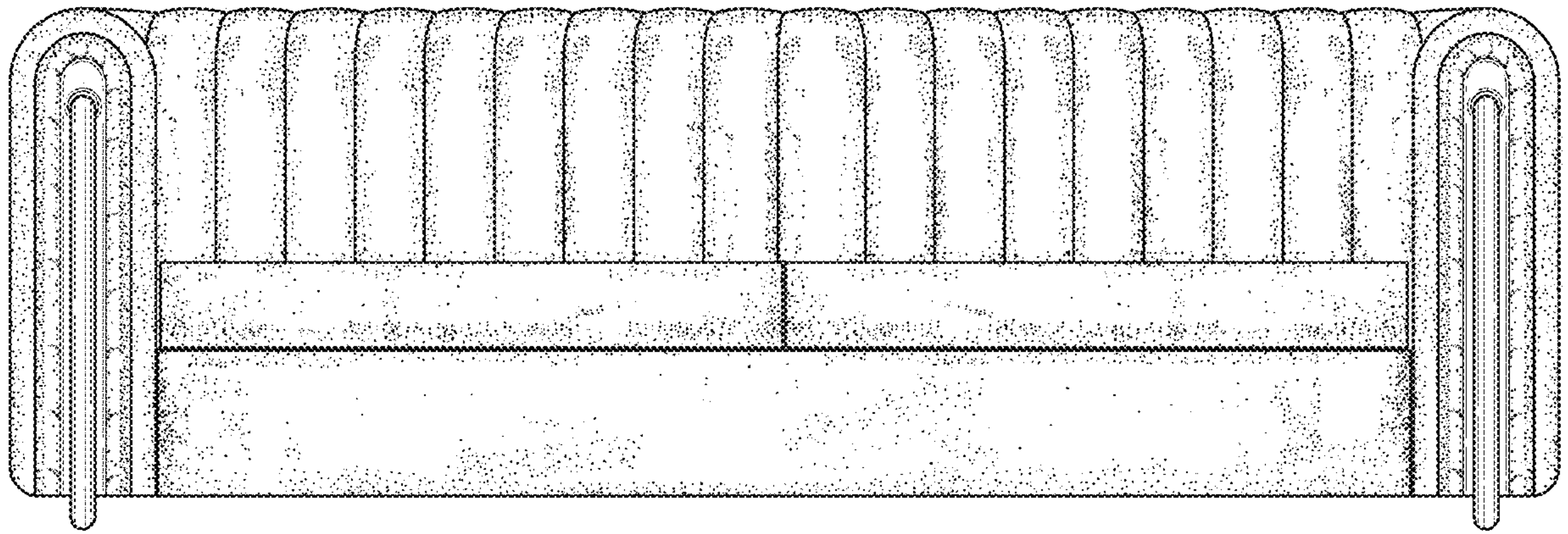


FIG. 2

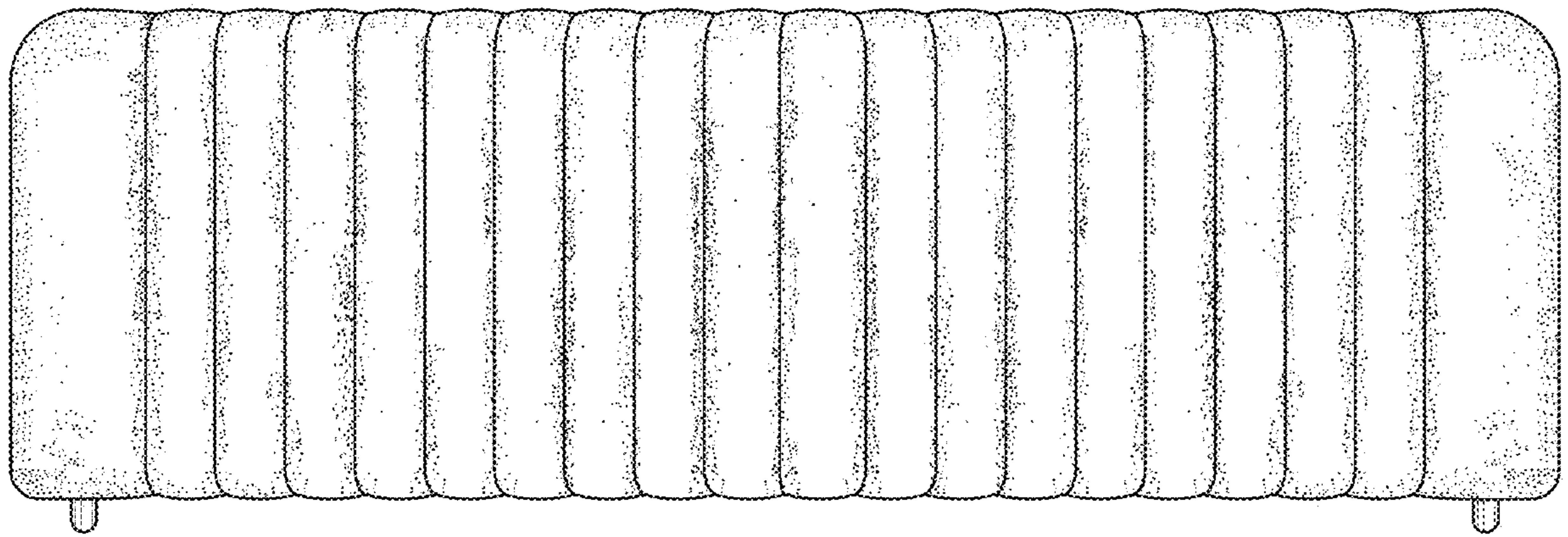


FIG. 3

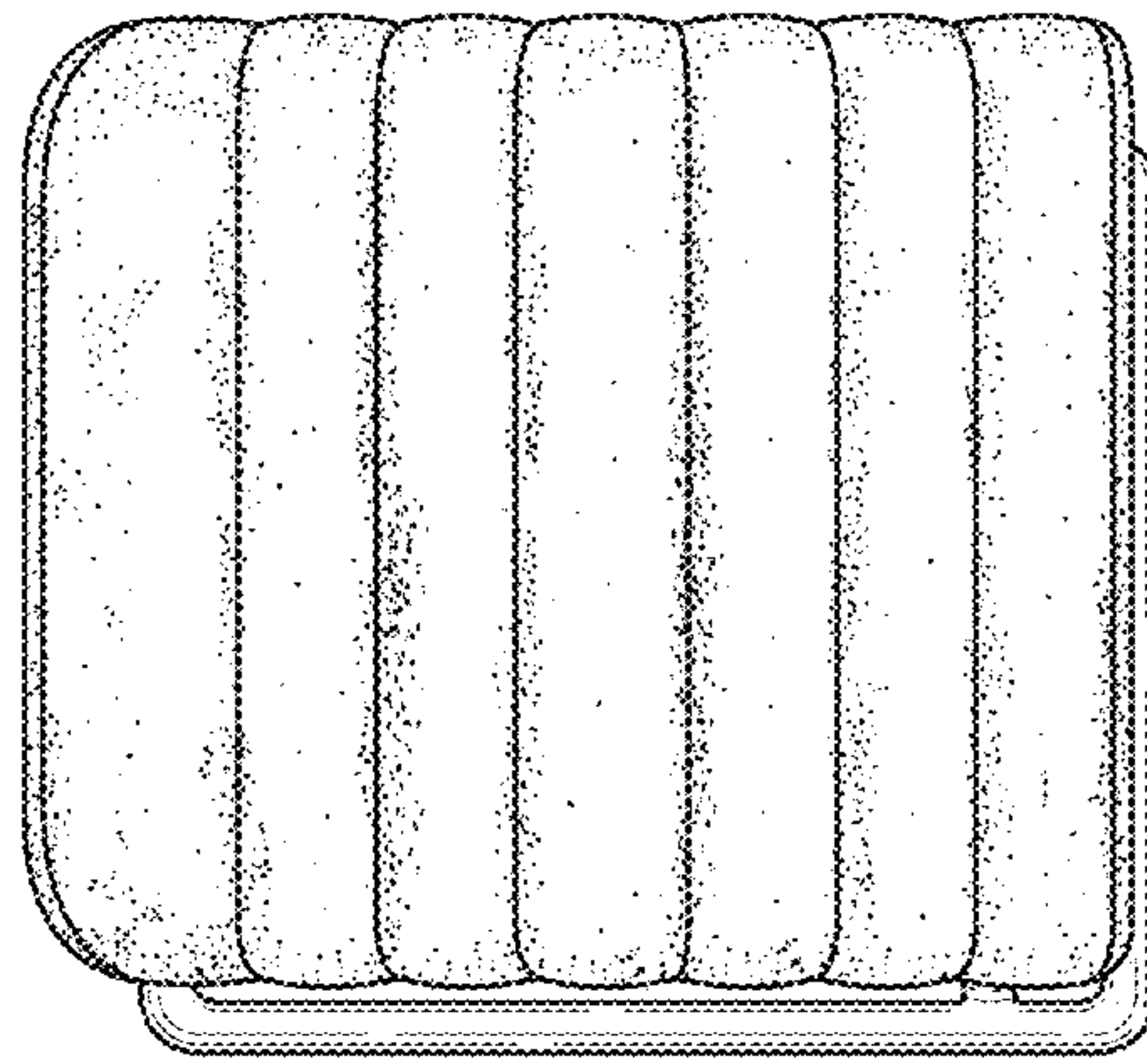


FIG. 4

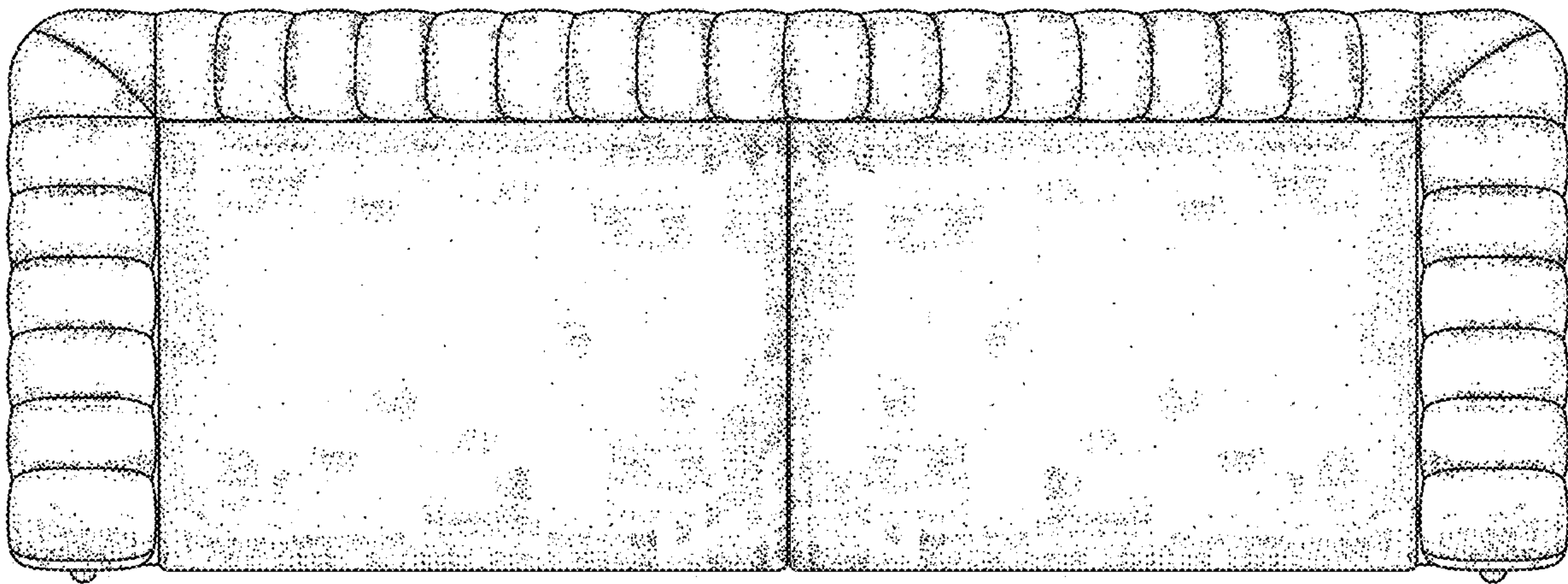


FIG. 5

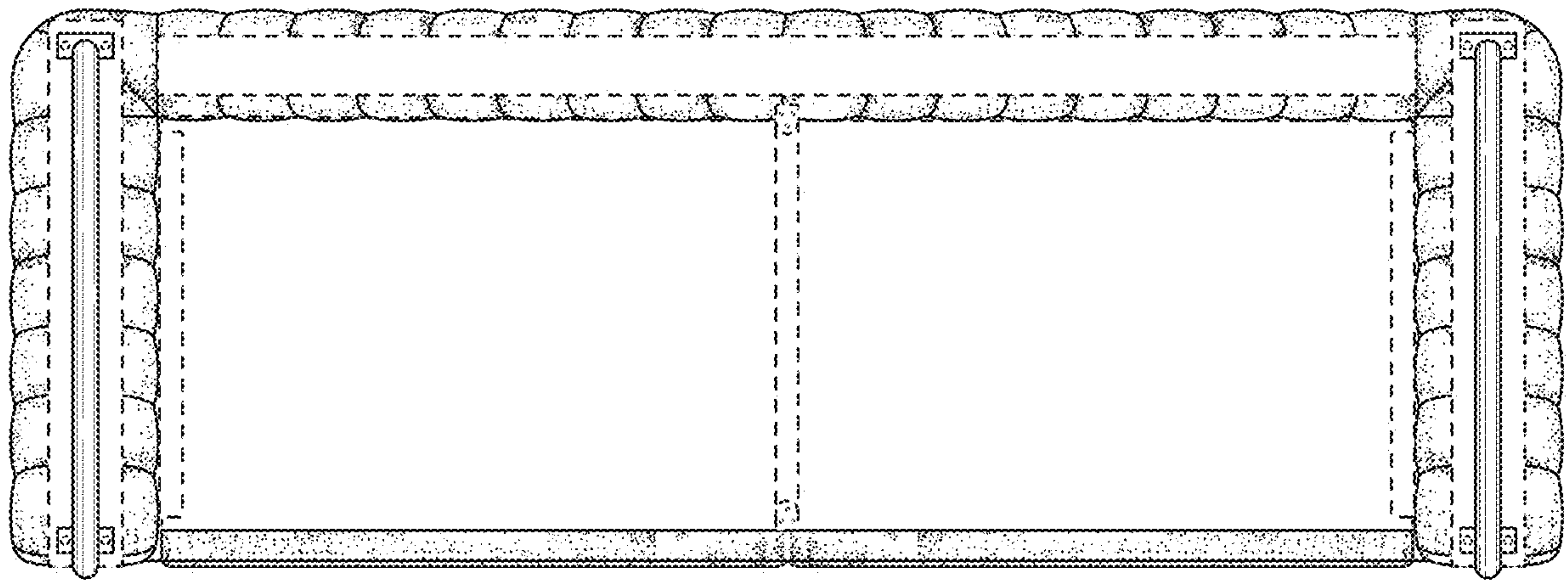


FIG. 6