



US00D982922S

(12) **United States Design Patent**  
**Andersen**

(10) **Patent No.:** **US D982,922 S**

(45) **Date of Patent:** **\*\* Apr. 11, 2023**

(54) **SOFA**

(71) Applicant: **Innovation U.S.A., Inc.**, Mission Viejo, CA (US)

(72) Inventor: **Per Weiss Andersen**, Randers (DK)

(73) Assignee: **Innovation U.S.A., Inc.**, Mission Viejo, CA (US)

(\*\*) Term: **15 Years**

(21) Appl. No.: **29/780,065**

(22) Filed: **Apr. 22, 2021**

(30) **Foreign Application Priority Data**

Oct. 23, 2020 (CN) ..... 202030634251.1

(51) **LOC (14) Cl.** ..... **06-01**

(52) **U.S. Cl.**  
USPC ..... **D6/381; D6/335**

(58) **Field of Classification Search**  
USPC ..... D6/334, 335, 367, 368, 370, 381, 382, D6/383, 392  
CPC ..... A47C 17/16; A47C 17/161; A47C 17/162; A47C 17/163; A47C 17/17; A47C 17/175; A47C 17/1753; A47D 11/005; A47D 11/00

See application file for complete search history.

(56) **References Cited**

**U.S. PATENT DOCUMENTS**

D170,665 S \* 10/1953 Spence ..... D6/381  
D172,812 S \* 8/1954 Spound ..... D6/381  
4,067,073 A \* 1/1978 Komarov ..... A47C 4/02  
297/440.1  
D443,989 S \* 6/2001 Gomez ..... D6/381  
D477,152 S \* 7/2003 Levy ..... D6/381  
D498,075 S \* 11/2004 Mourgue ..... D6/381  
D499,261 S \* 12/2004 Ricci ..... D6/381

D590,623 S \* 4/2009 Natuzzi ..... D6/381  
D591,970 S \* 5/2009 Weiss ..... D6/381  
D603,617 S \* 11/2009 Weiss ..... D6/381  
D603,618 S \* 11/2009 Weiss ..... D6/381  
D604,957 S \* 12/2009 Weiss ..... D6/381  
D618,929 S \* 7/2010 Yeong ..... D6/381  
D649,366 S \* 11/2011 Andersen ..... D6/335  
D649,367 S \* 11/2011 Andersen ..... D6/335  
D681,366 S \* 5/2013 Kanthasamy ..... D6/381  
D720,944 S \* 1/2015 Barber ..... D6/381

(Continued)

**FOREIGN PATENT DOCUMENTS**

CN 204181281 U \* 3/2015  
CN 210540149 U \* 5/2020  
CN 213464465 U \* 6/2021

*Primary Examiner* — Deanna L Pratt

(74) *Attorney, Agent, or Firm* — Miles & Stockbridge P.C.; David R. Schaffer

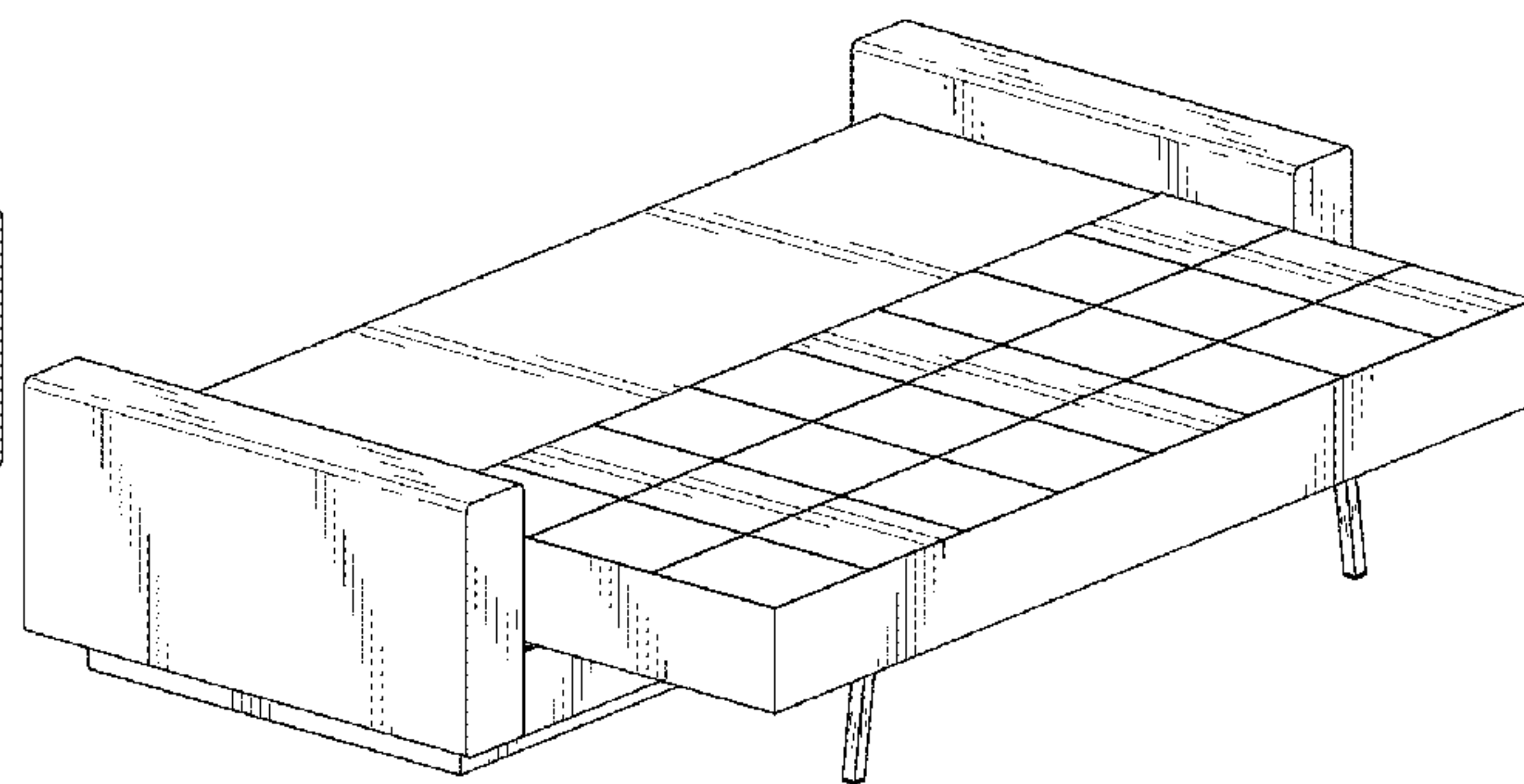
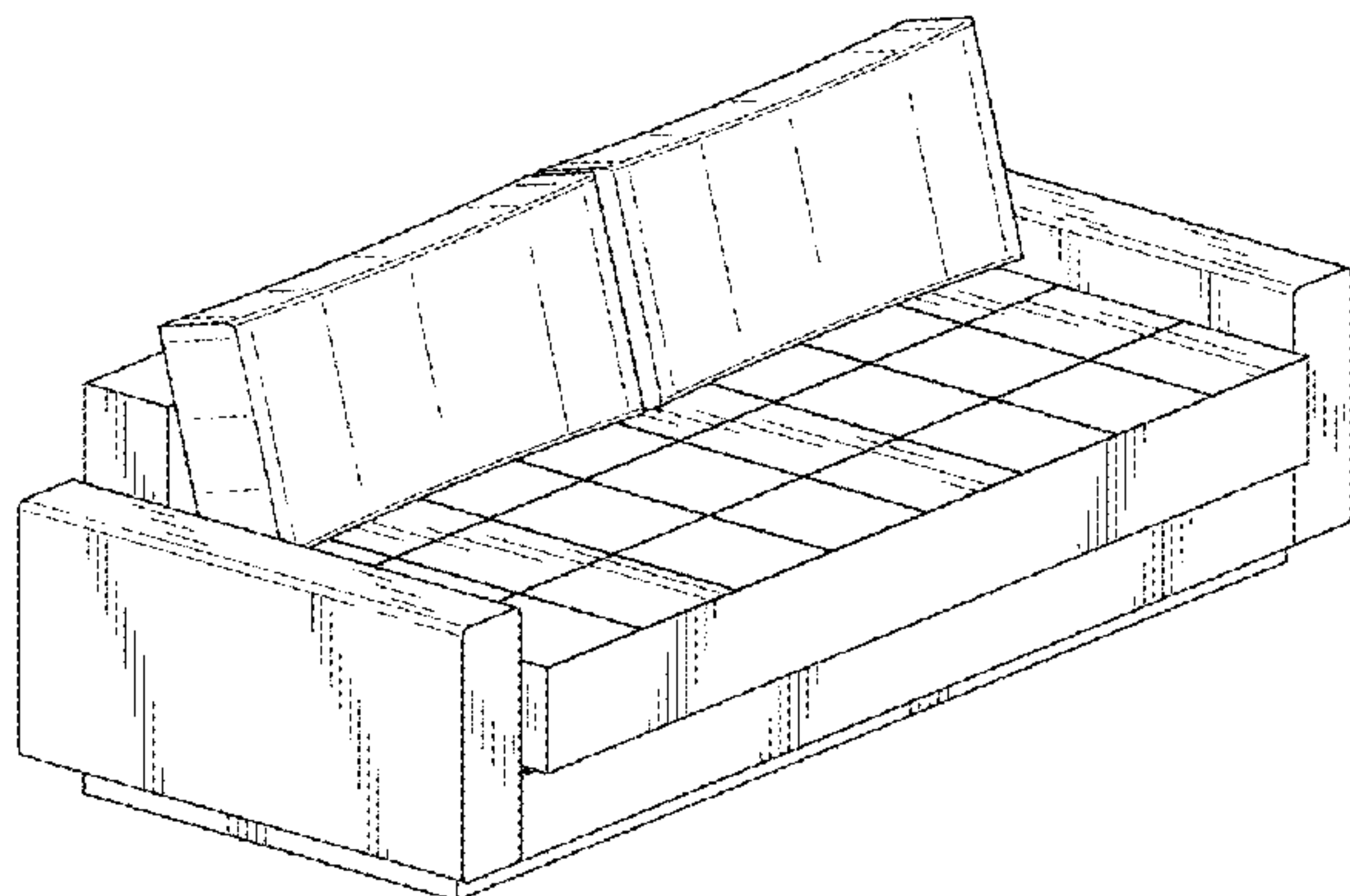
(57) **CLAIM**

The ornamental design for a sofa, as shown and described.

**DESCRIPTION**

FIG. 1 is a front elevational view of a sofa showing our new design;  
FIG. 2 is a rear elevational view thereof;  
FIG. 3 is a right elevational view thereof;  
FIG. 4 is a left elevational view thereof;  
FIG. 5 is a top plan view thereof;  
FIG. 6 is a bottom plan view thereof;  
FIG. 7 is a right front perspective view thereof;  
FIG. 8 is a left front perspective view thereof;  
FIG. 9 is a right front perspective view, shown in a reclined position thereof; and,  
FIG. 10 is a left front perspective view, shown in the reclined position thereof.  
The elements shown in broken lines are for illustrative purposes only and form no part of the claimed design.

**1 Claim, 5 Drawing Sheets**



(56)

**References Cited**

U.S. PATENT DOCUMENTS

D730,076	S	*	5/2015	Lange	.....	D6/381
D811,100	S	*	2/2018	Andersen	.....	D6/381
D841,992	S	*	3/2019	Kershner	.....	D6/381
D874,837	S	*	2/2020	Andersen	.....	D6/335
D878,780	S	*	3/2020	Banda	.....	D6/381
D891,129	S	*	7/2020	Kanthasamy	.....	D6/381
D948,878	S	*	4/2022	Andersen	.....	D6/335
D957,832	S	*	7/2022	Andersen	.....	D6/335
D958,551	S	*	7/2022	Andersen	.....	D6/335
D958,552	S	*	7/2022	Andersen	.....	D6/335
D968,831	S	*	11/2022	Andersen	.....	D6/335
2010/0269255	A1	*	10/2010	Kanthasamy	..... A47C 17/1655 5/37.1	
2018/0335082	A1	*	11/2018	Andersson	..... C25D 11/04	
2021/0315387	A1	*	10/2021	Williams	..... A47C 17/225	

\* cited by examiner

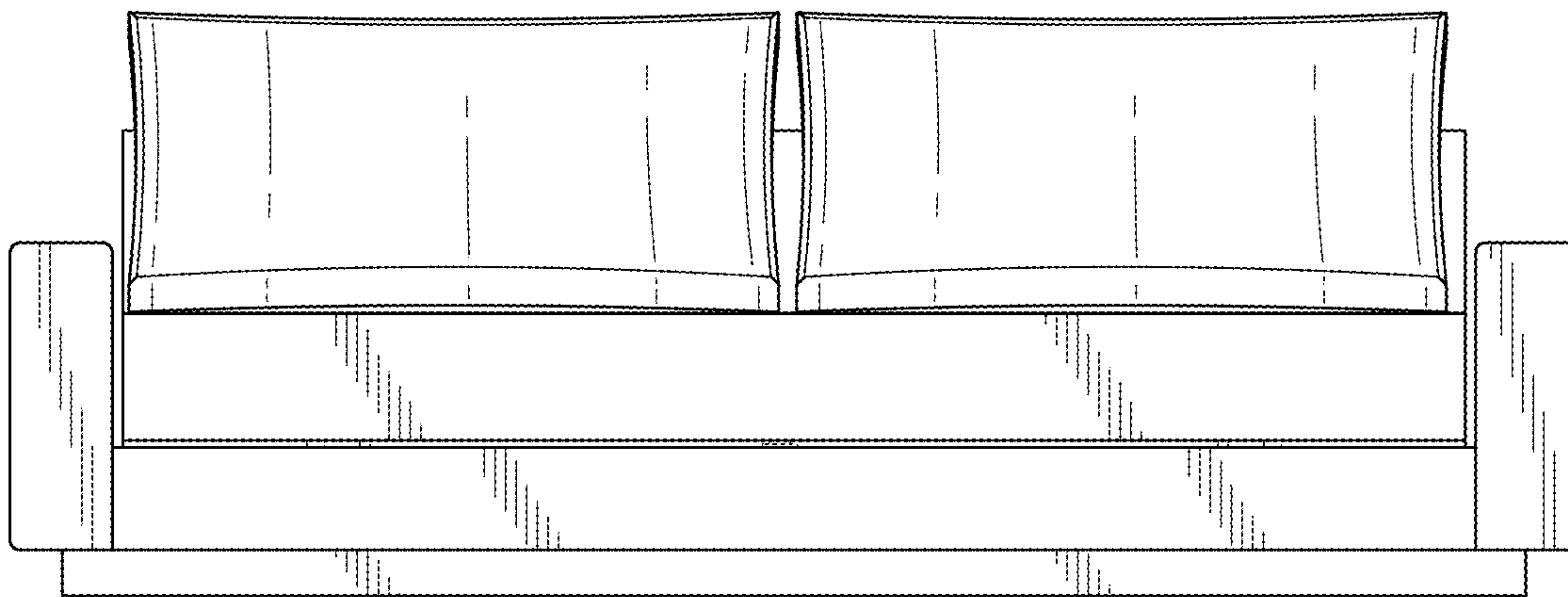


FIG. 1

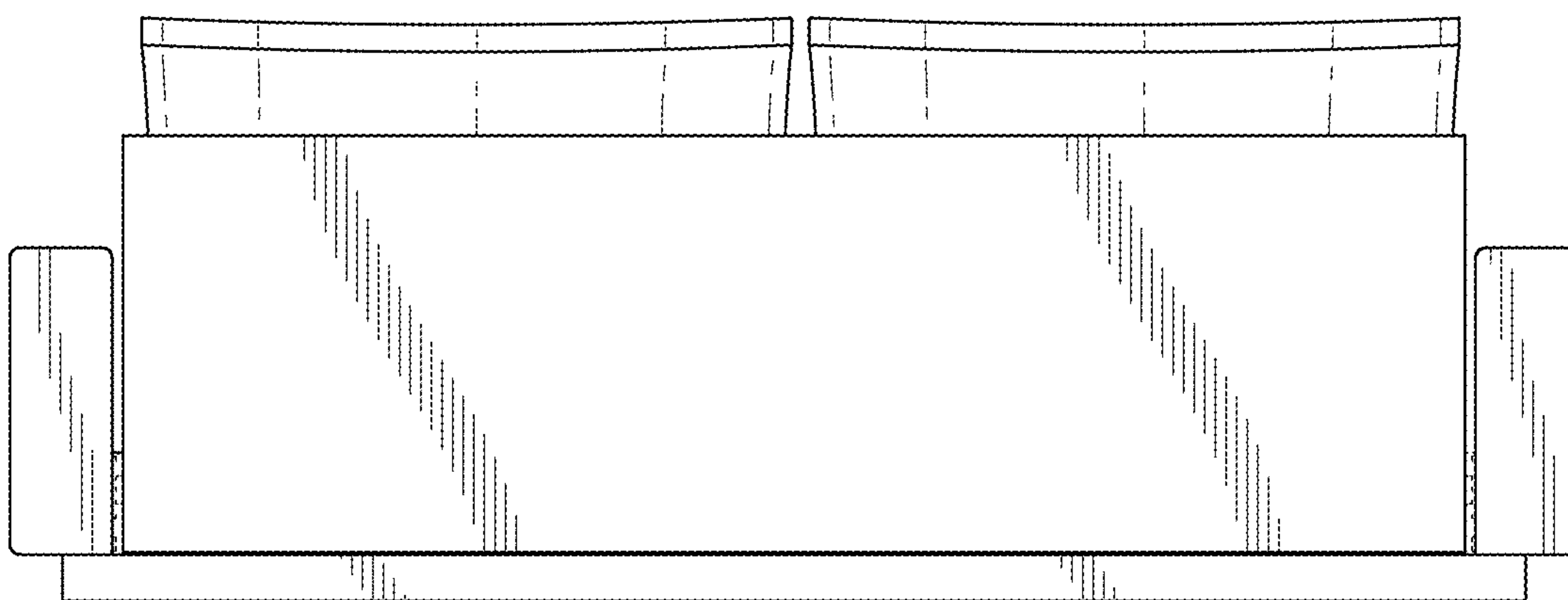


FIG. 2

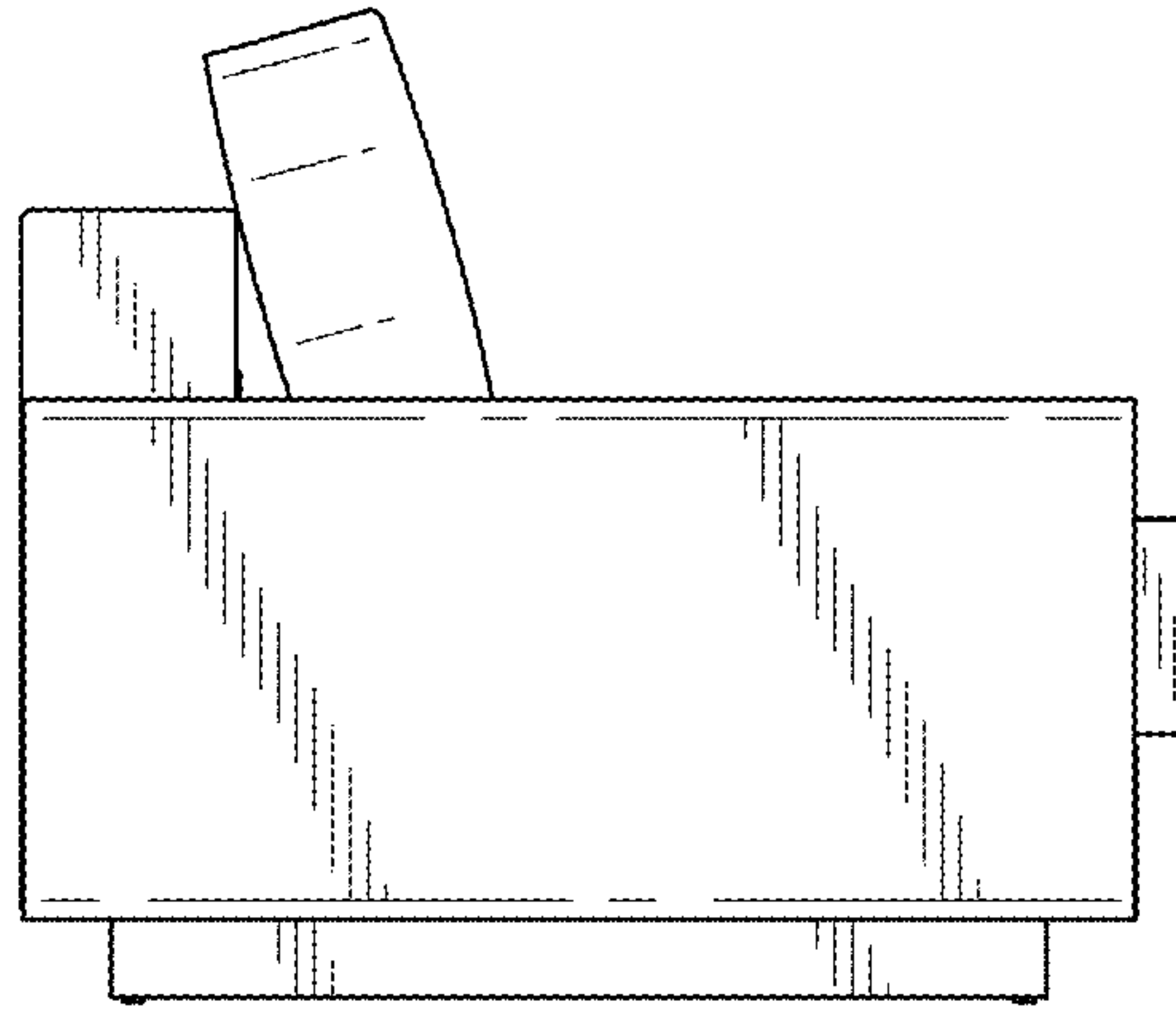


FIG. 3

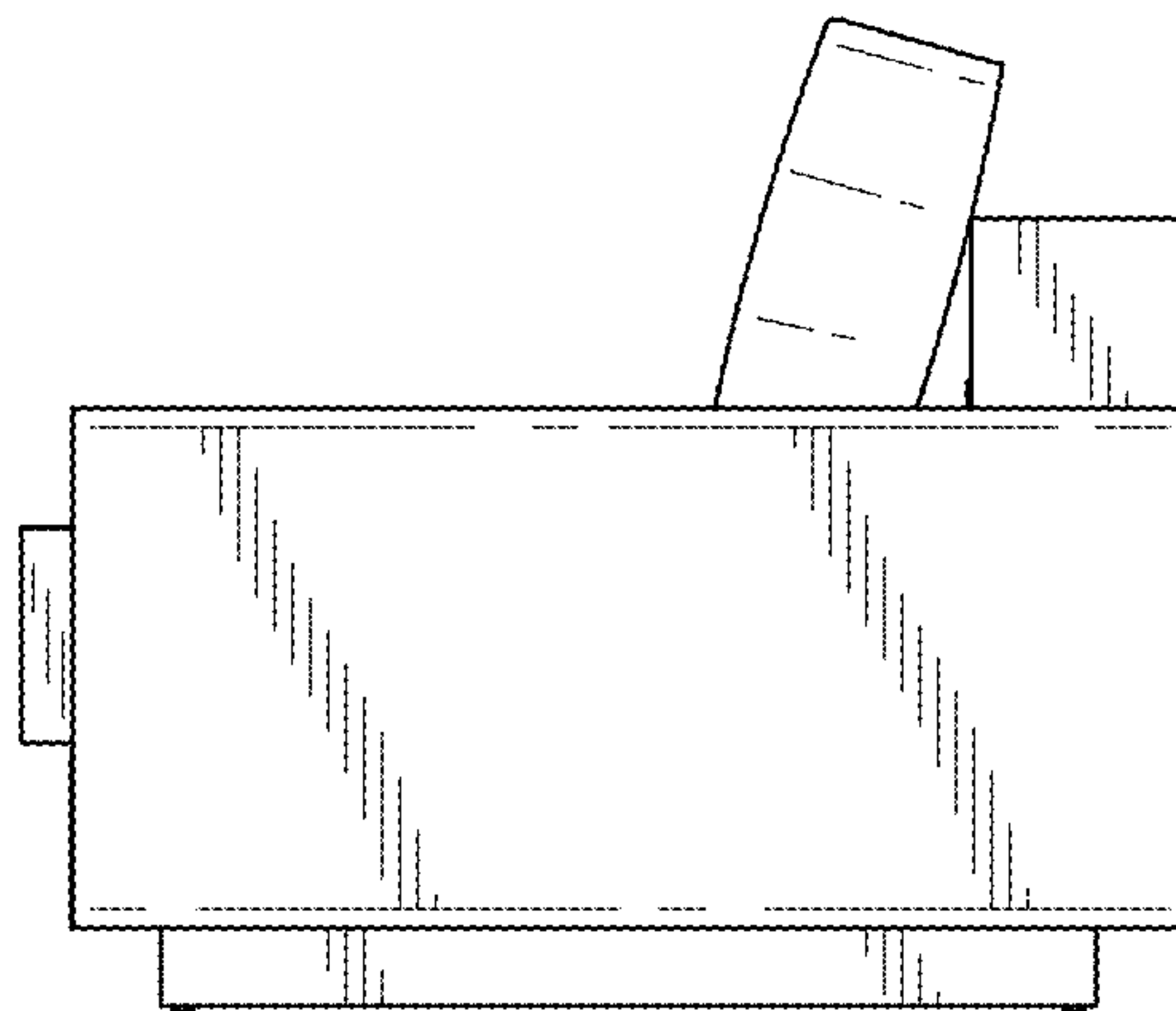


FIG. 4

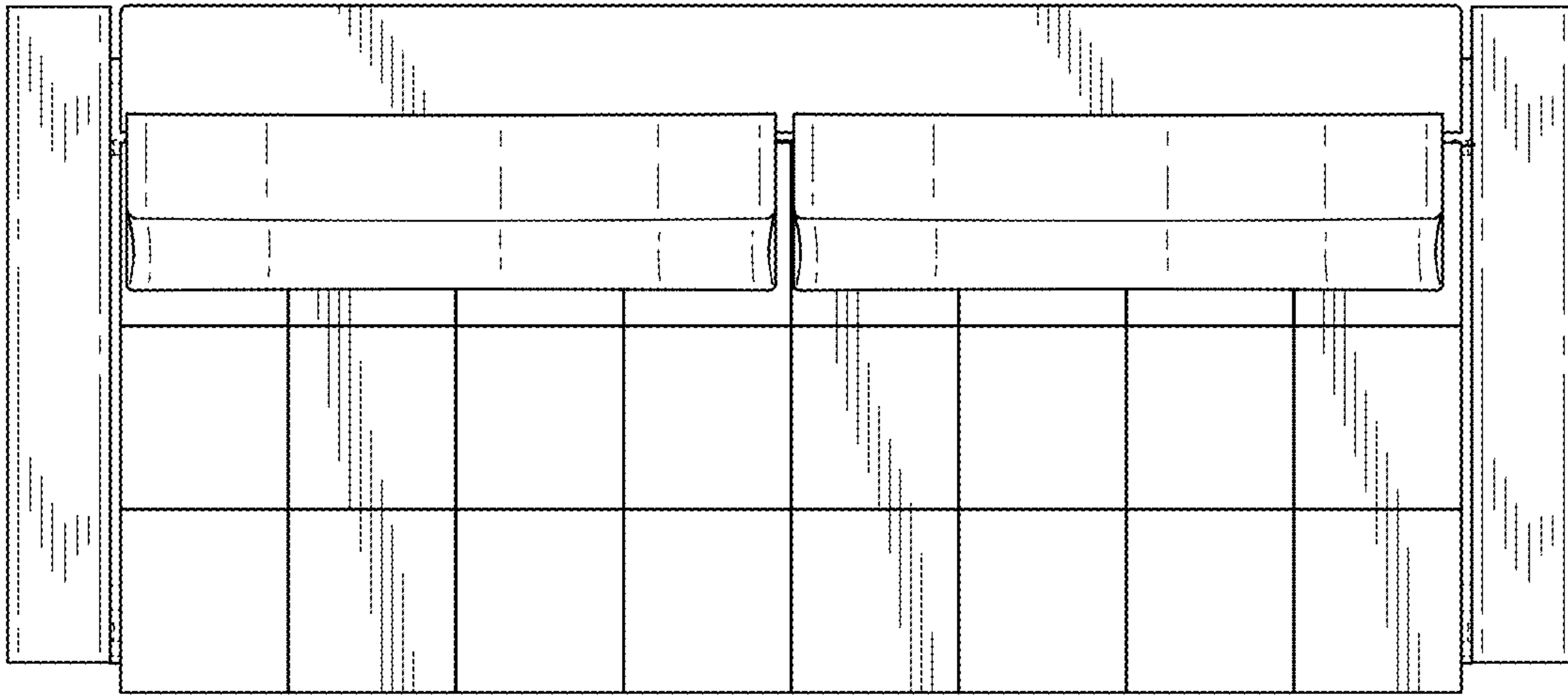


FIG. 5

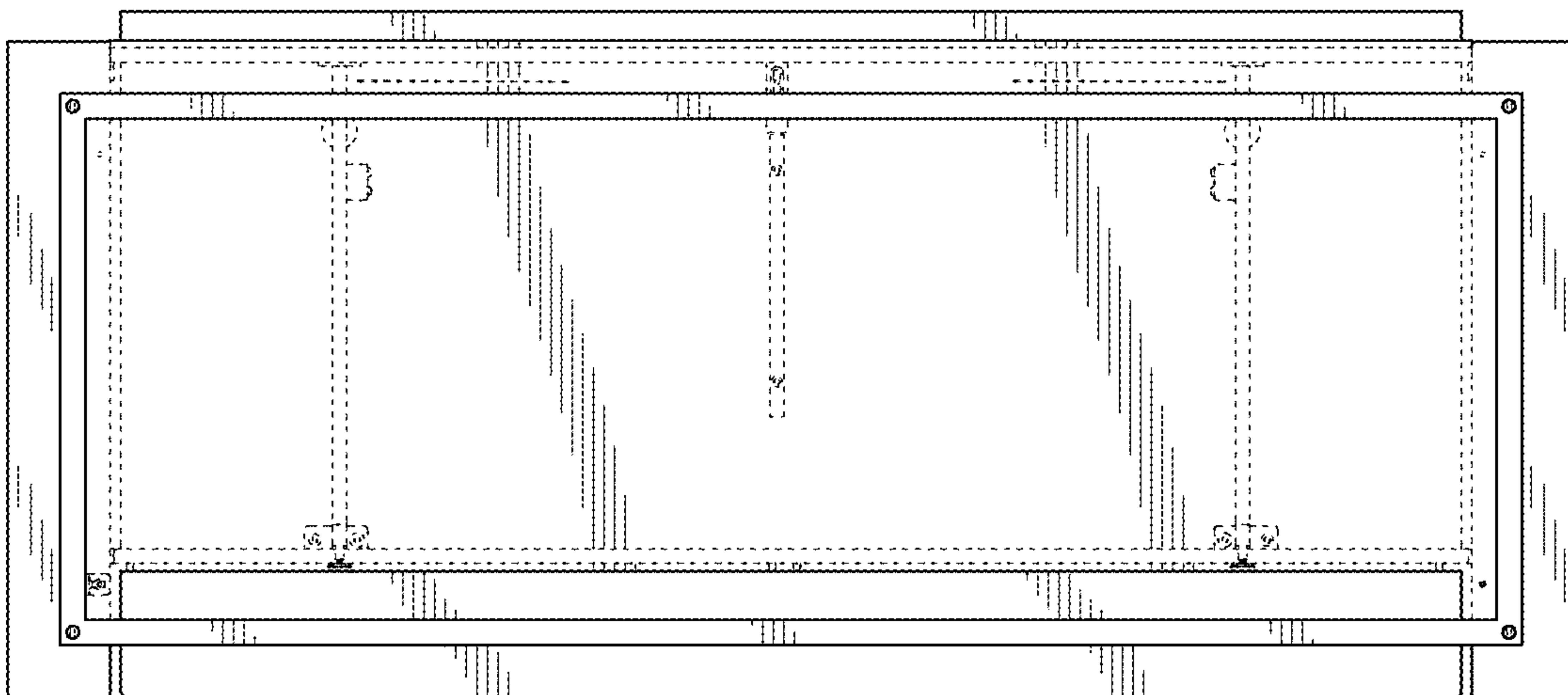


FIG. 6



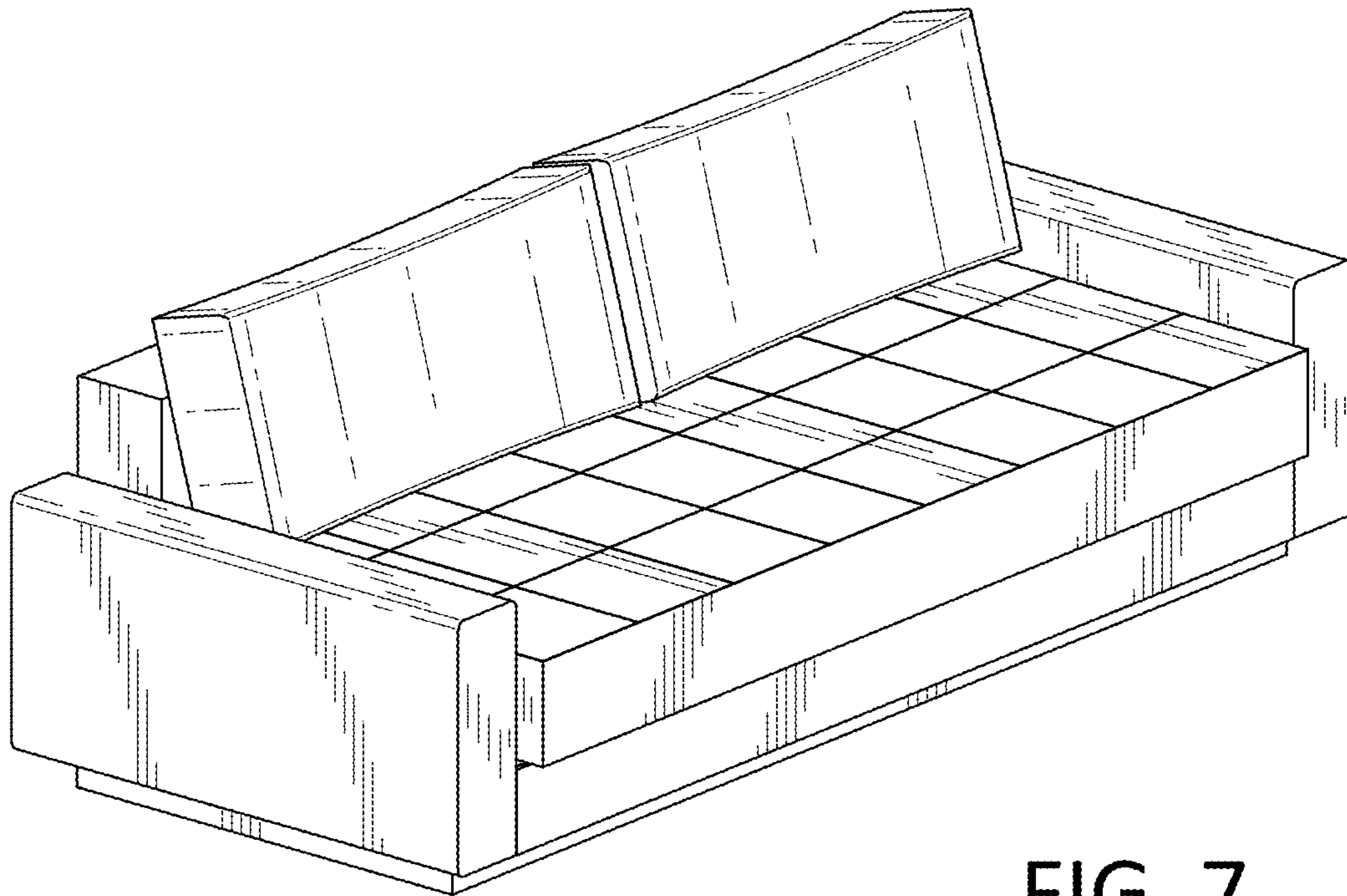


FIG. 7

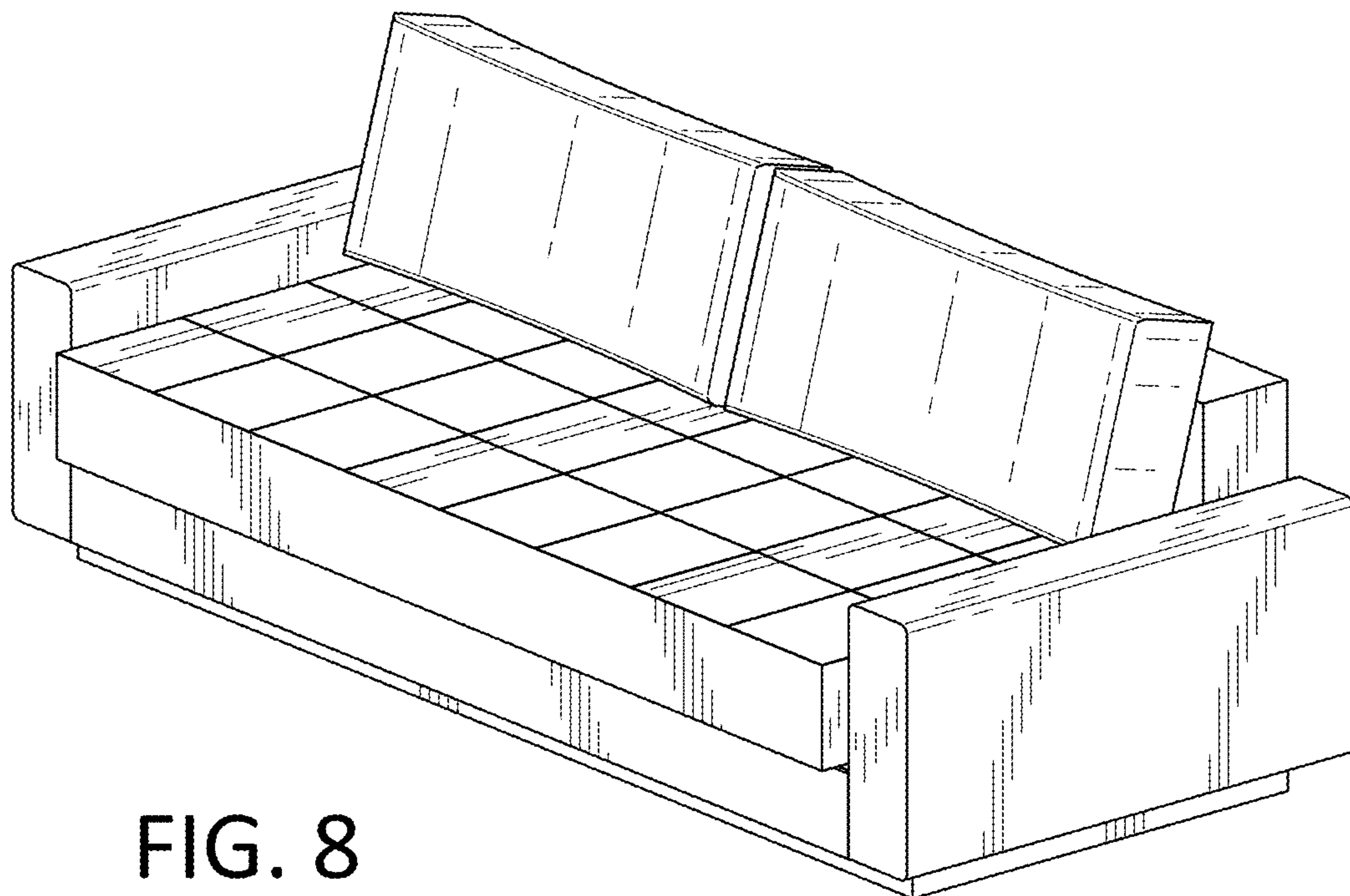


FIG. 8

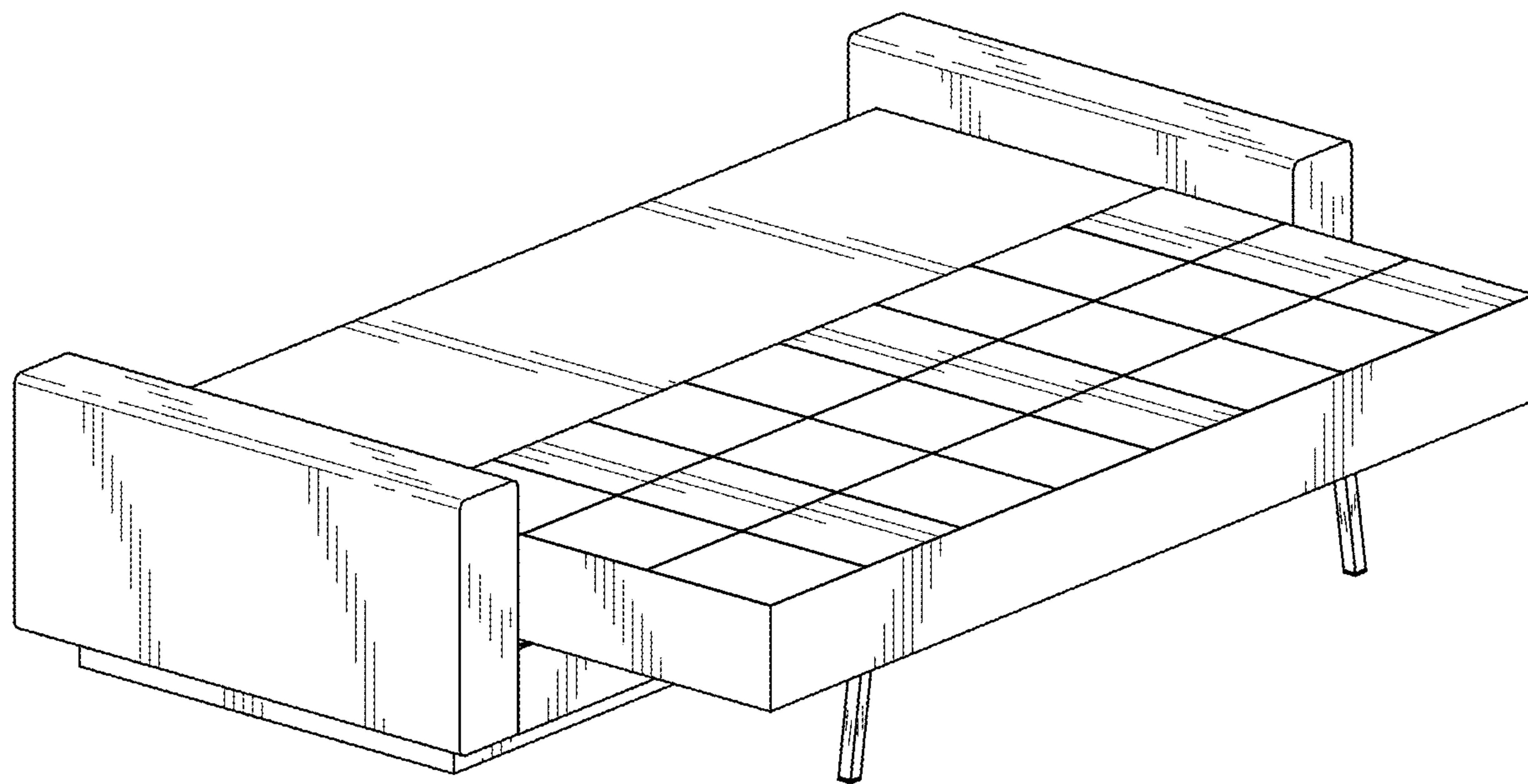


FIG. 9

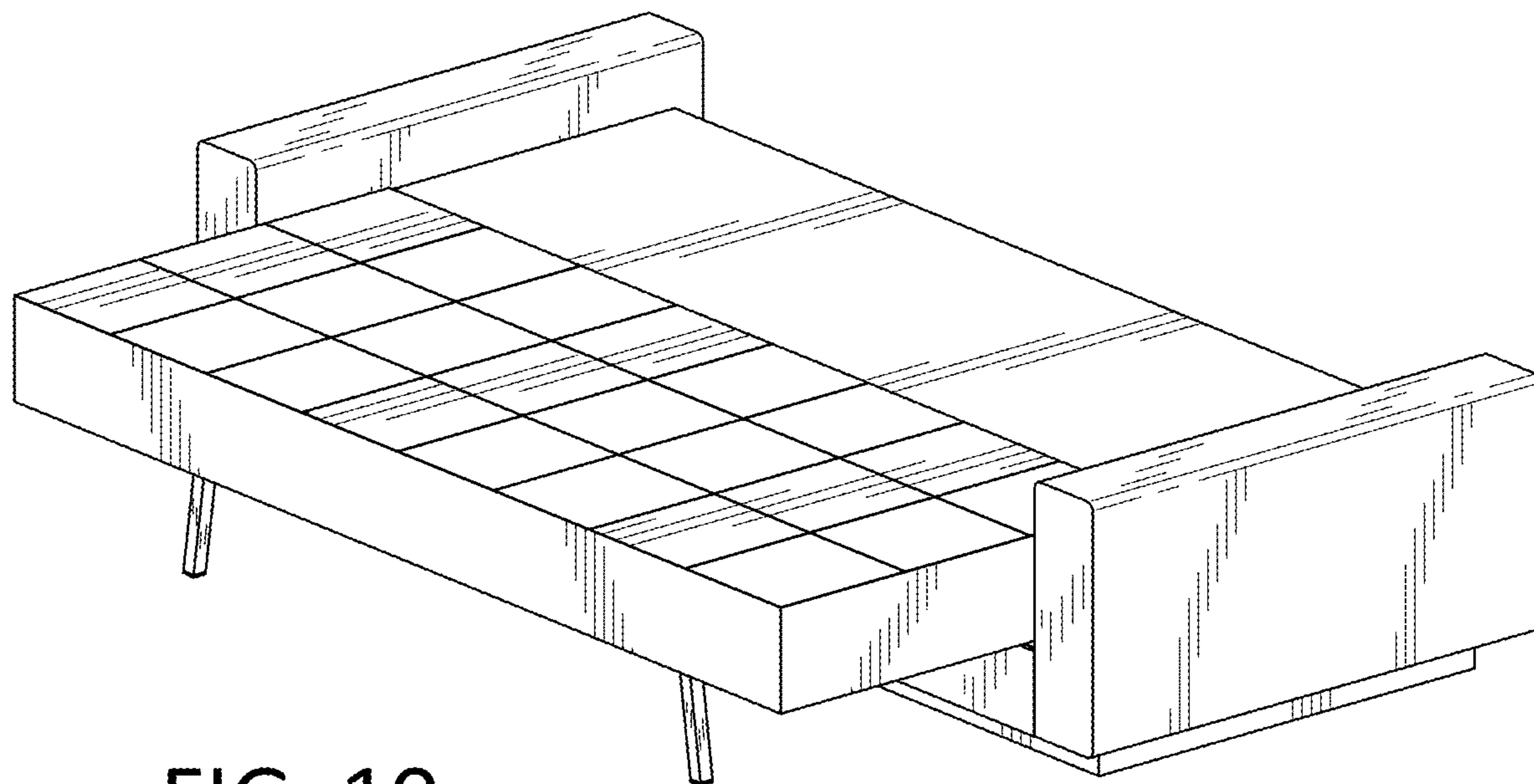


FIG. 10