



US00D982920S

(12) **United States Design Patent**
Pathiratne

(10) **Patent No.:** **US D982,920 S**
(45) **Date of Patent:** **** Apr. 11, 2023**

(54) **SOFA THAT CONVERTS INTO A BED**

FOREIGN PATENT DOCUMENTS

(71) Applicant: **Gjemeni, Inc.**, Newark, CA (US)

CN 204181281 U * 3/2015
CN 207461800 U * 6/2018

(72) Inventor: **Sean Pathiratne**, Newark, CA (US)

(Continued)

(73) Assignee: **Gjemeni, Inc.**, Newark, CA (US)

Primary Examiner — Deanna L Pratt

(**) Term: **15 Years**

(74) *Attorney, Agent, or Firm* — Michael P. Adams;
Dykema Gossett PLLC

(21) Appl. No.: **29/722,032**

(57) **CLAIM**

(22) Filed: **Jan. 24, 2020**

The ornamental design for a sofa that converts into a bed, as shown in FIGS. 1-10, and described herein.

(51) **LOC (14) Cl.** **06-01**

DESCRIPTION

(52) **U.S. Cl.**

USPC **D6/381**; D6/335

(58) **Field of Classification Search**

USPC D6/334, 335, 367, 368, 370, 381, 382,
D6/383, 392

CPC A47C 17/16; A47C 17/161; A47C 17/162;
A47C 17/163; A47C 17/17; A47C
17/175; A47C 17/1753; A47D 11/005;
A47D 11/00

See application file for complete search history.

FIG. 1 is a front perspective view of the sofa that converts into a bed, being in a sofa position;

FIG. 2 is a front view of the sofa that converts into a bed, being in a sofa position;

FIG. 3 is a back view of the sofa that converts into a bed, being in a sofa position;

FIG. 4 is a side view of the sofa that converts into a bed, being in a sofa position;

FIG. 5 is a side view of the sofa that converts into a bed, being in a sofa position;

FIG. 6 is a top view of the sofa that converts into a bed, being in a sofa position;

FIG. 7 is a bottom view of the sofa that converts into a bed, being in a sofa position;

FIG. 8 is a perspective view of the sofa that converts into a bed, with a split back rest, with the left section of the split back rest being in a bed position and the right section of the split back rest being in a sofa position;

FIG. 9 is a perspective view of the sofa that converts into a bed, being in a bed position; and,

FIG. 10 is a top view of the sofa that converts into a bed, being in a bed position.

The broken lines shown in the drawings are for illustrative purposes only and form no part of the claimed design.

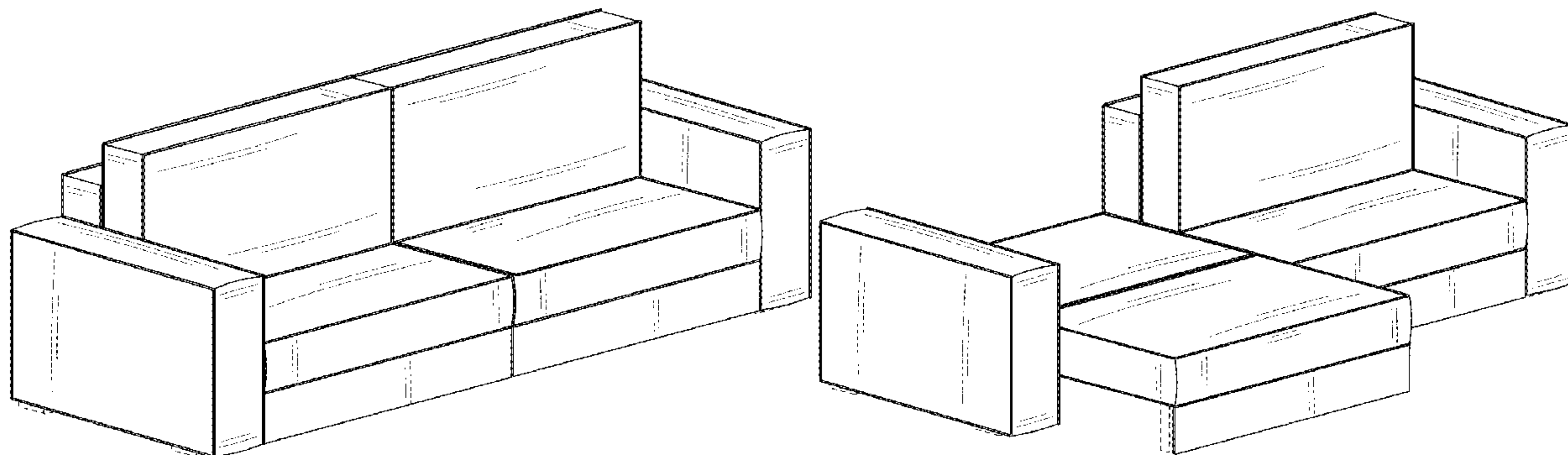
(56) **References Cited**

U.S. PATENT DOCUMENTS

4,067,073	A *	1/1978	Komarov	A47C 4/02 297/440.1
D592,882	S *	5/2009	Natuzzi	D6/381
D603,617	S *	11/2009	Weiss	D6/381
D604,957	S *	12/2009	Weiss	D6/381
D618,929	S *	7/2010	Yeong	D6/381
D719,754	S *	12/2014	Pathiratne	D6/381
D720,943	S *	1/2015	Pathiratne	D6/381
D720,944	S *	1/2015	Barber	D6/381
D811,100	S *	2/2018	Andersen	D6/381
D874,166	S *	2/2020	King	D6/381
D878,780	S *	3/2020	Banda	D6/381

(Continued)

1 Claim, 5 Drawing Sheets



(56)

References Cited

U.S. PATENT DOCUMENTS

D904,772 S * 12/2020 Kanthasamy D6/381
D905,453 S * 12/2020 Kanthasamy D6/335
D915,085 S * 4/2021 Kanthasamy D6/381
D930,374 S * 9/2021 Kanthasamy D6/381
D948,878 S * 4/2022 Andersen D6/335
D959,158 S * 8/2022 Kanthasamy D6/335
2010/0269255 A1* 10/2010 Kanthasamy A47C 17/1655
5/37.1
2013/0333110 A1* 12/2013 Rodriguez A47C 17/22
5/13
2018/0335082 A1* 11/2018 Andersson C25D 11/04

FOREIGN PATENT DOCUMENTS

CN 210540149 U * 5/2020
CN 213464465 U * 6/2021
CN 114931296 A * 8/2022
CN 217429609 U * 9/2022

* cited by examiner

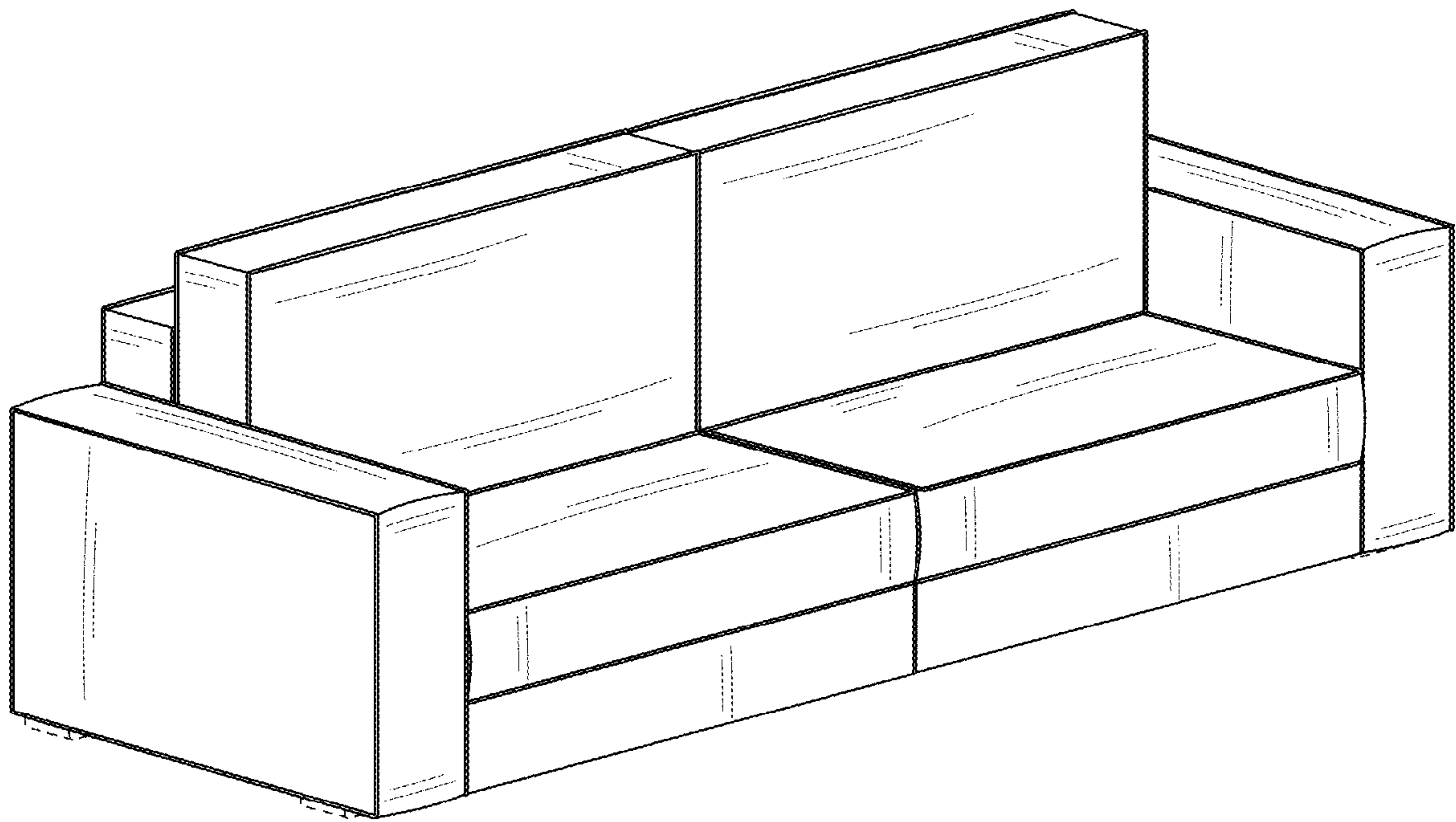


FIG. 1

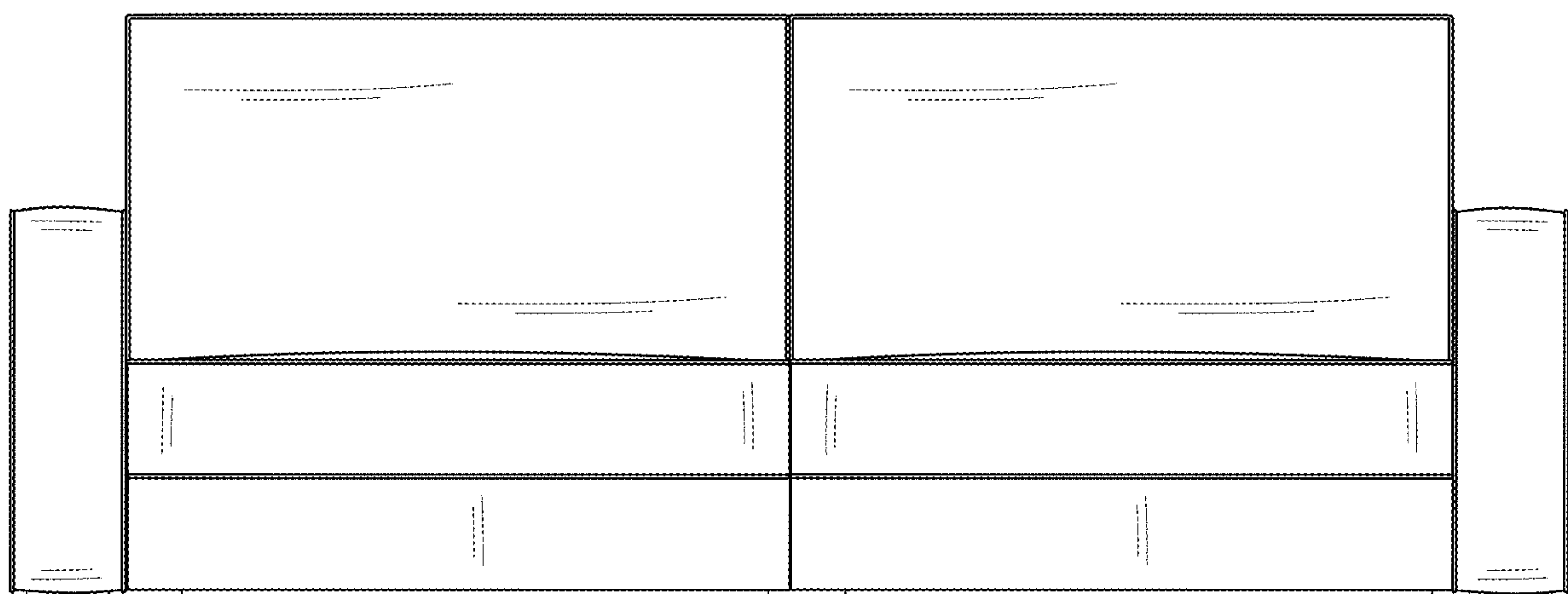


FIG. 2

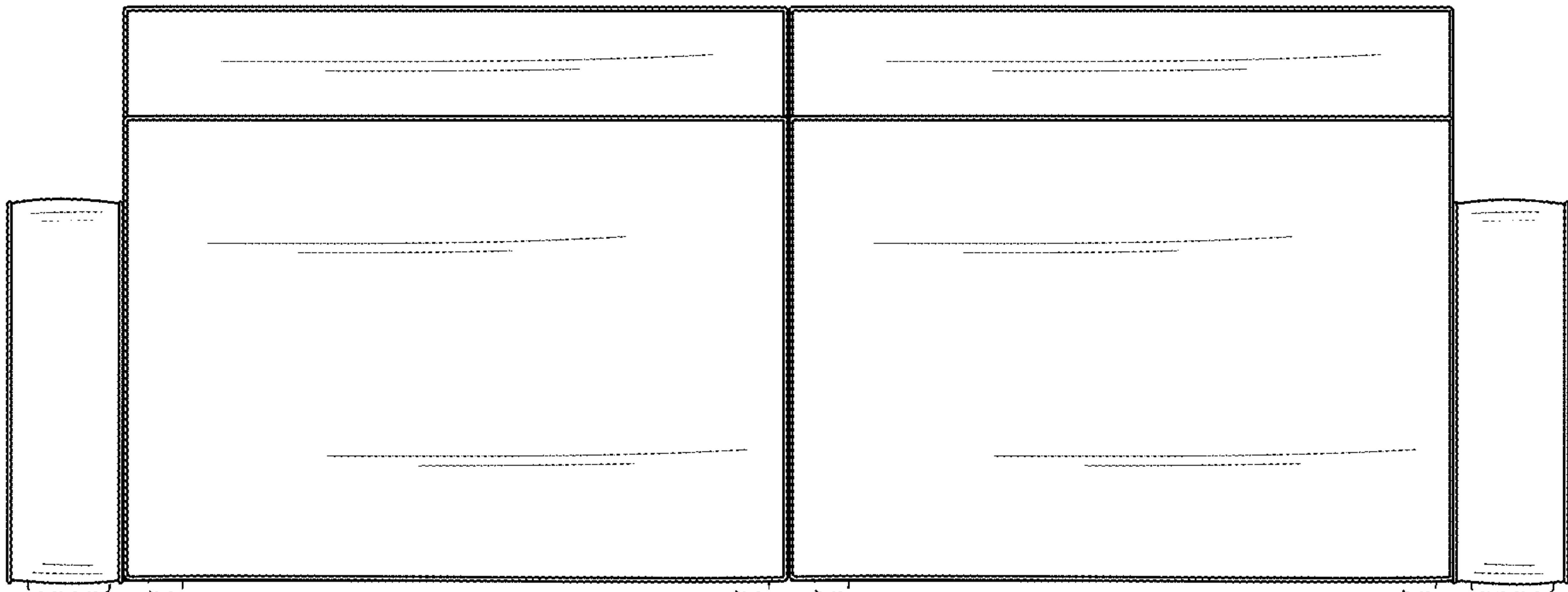


FIG. 3

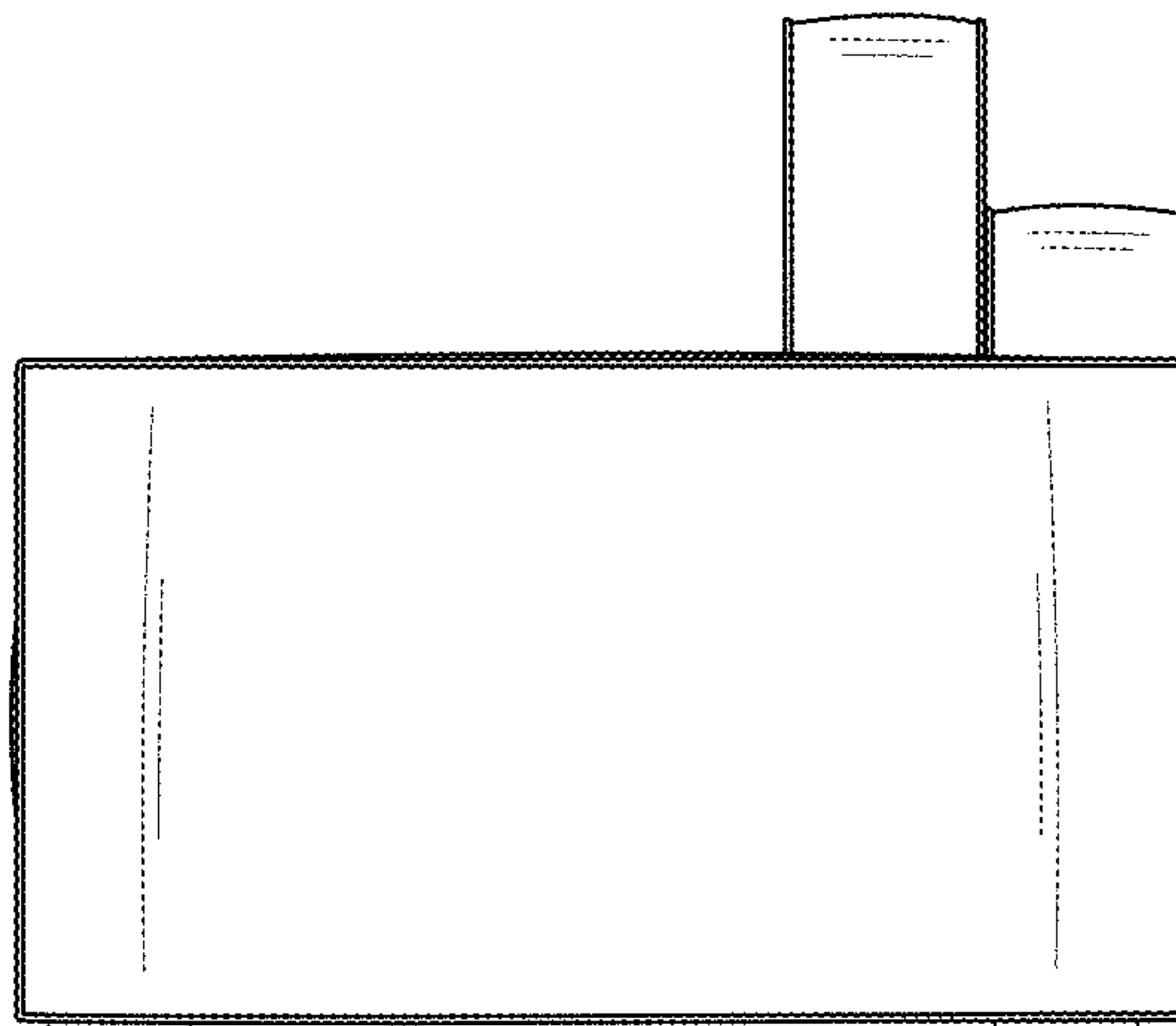


FIG. 4

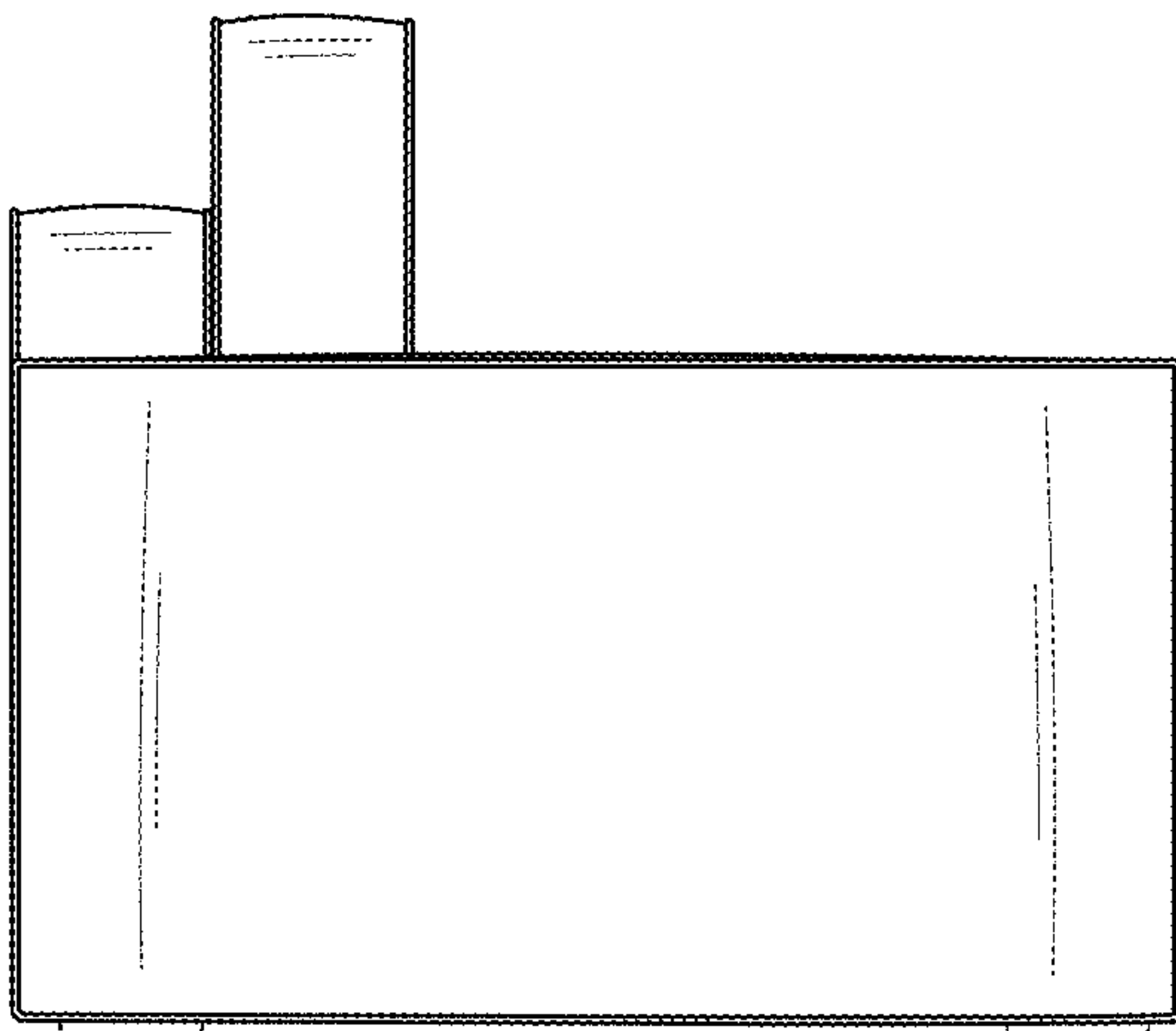


FIG. 5

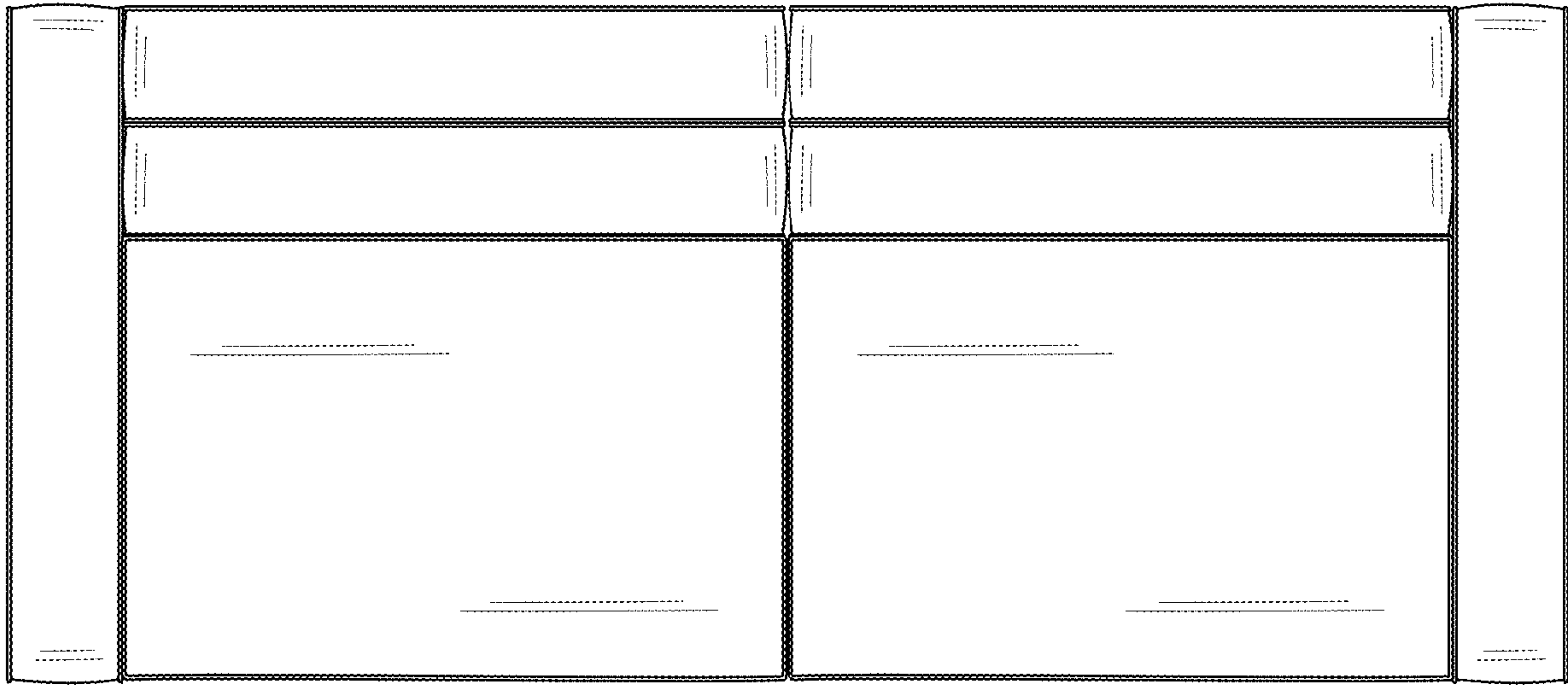


FIG. 6

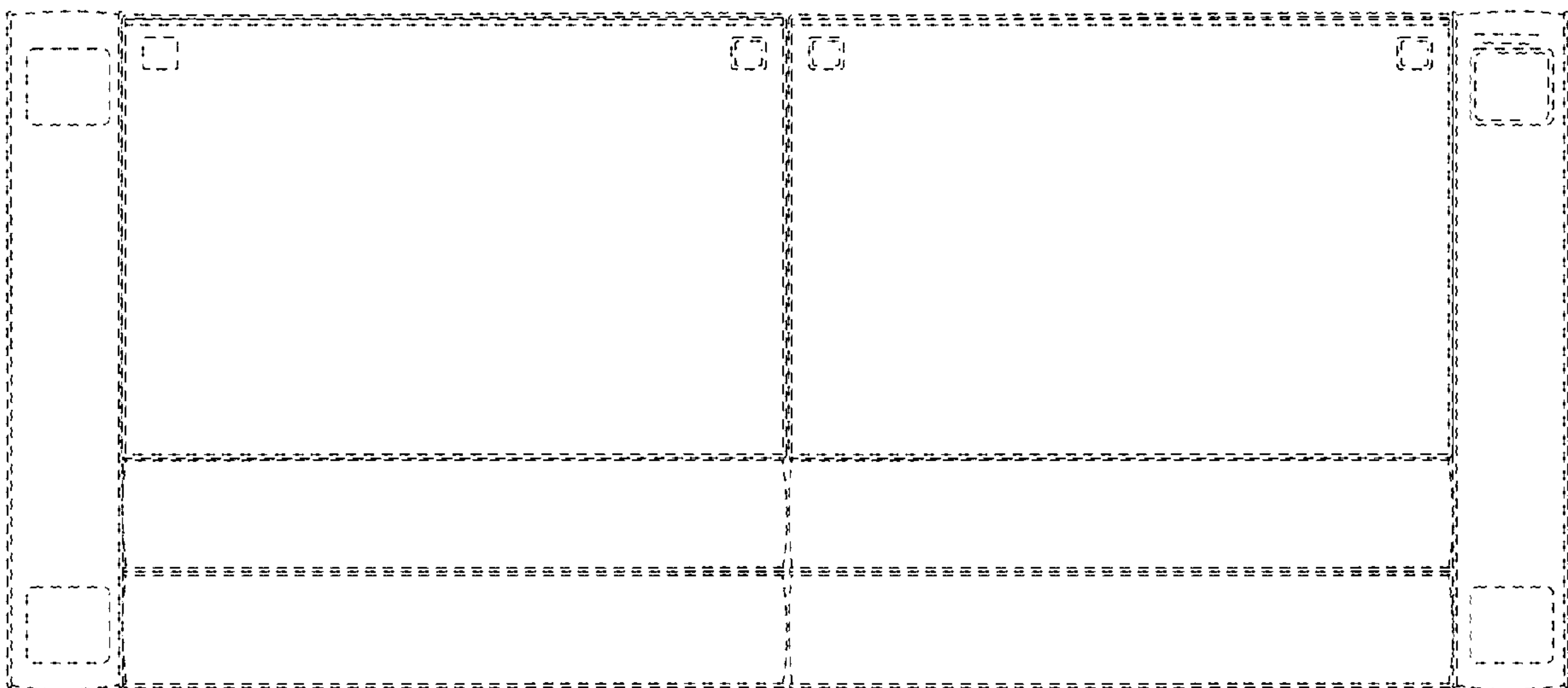


FIG. 7

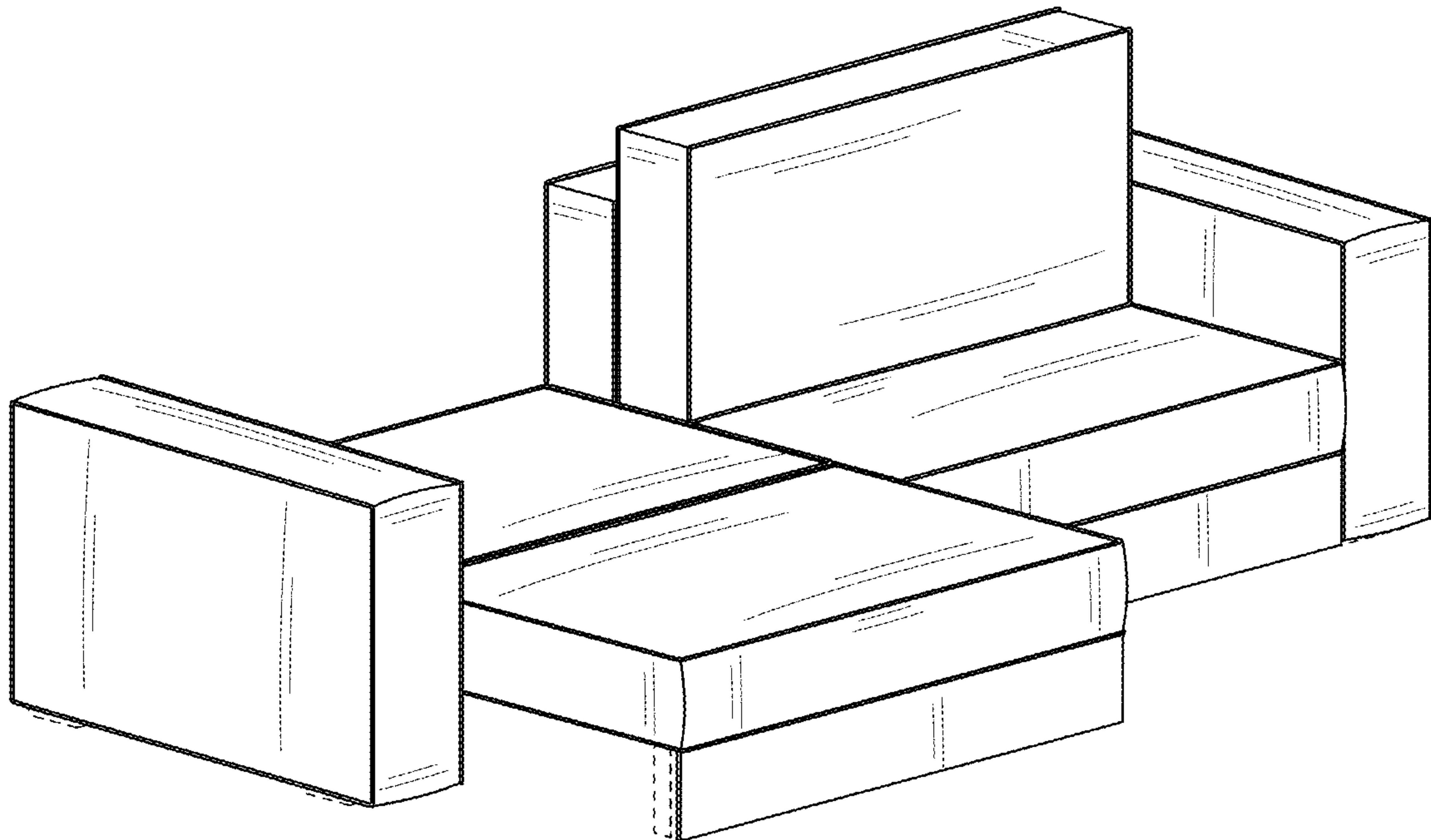


FIG. 8

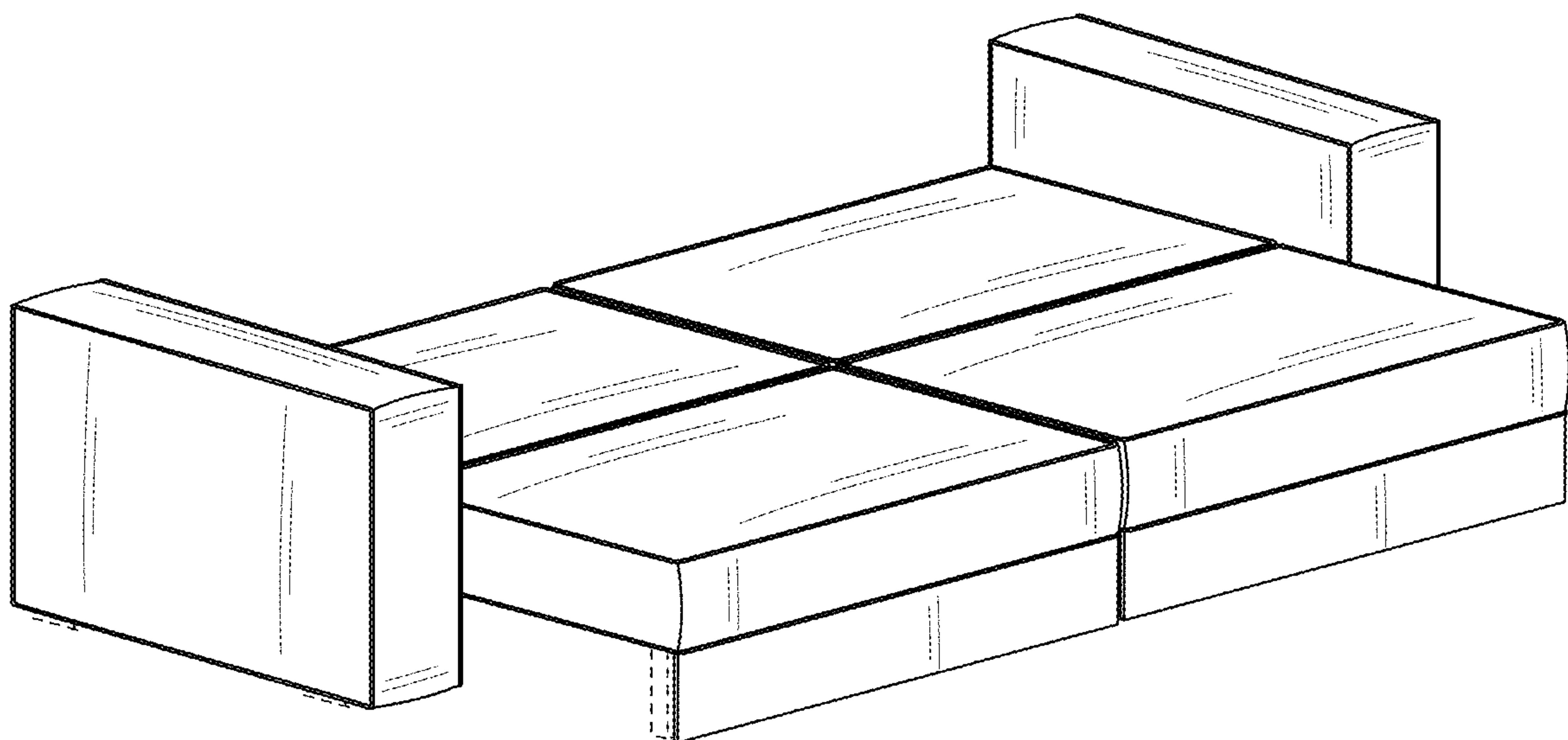


FIG. 9

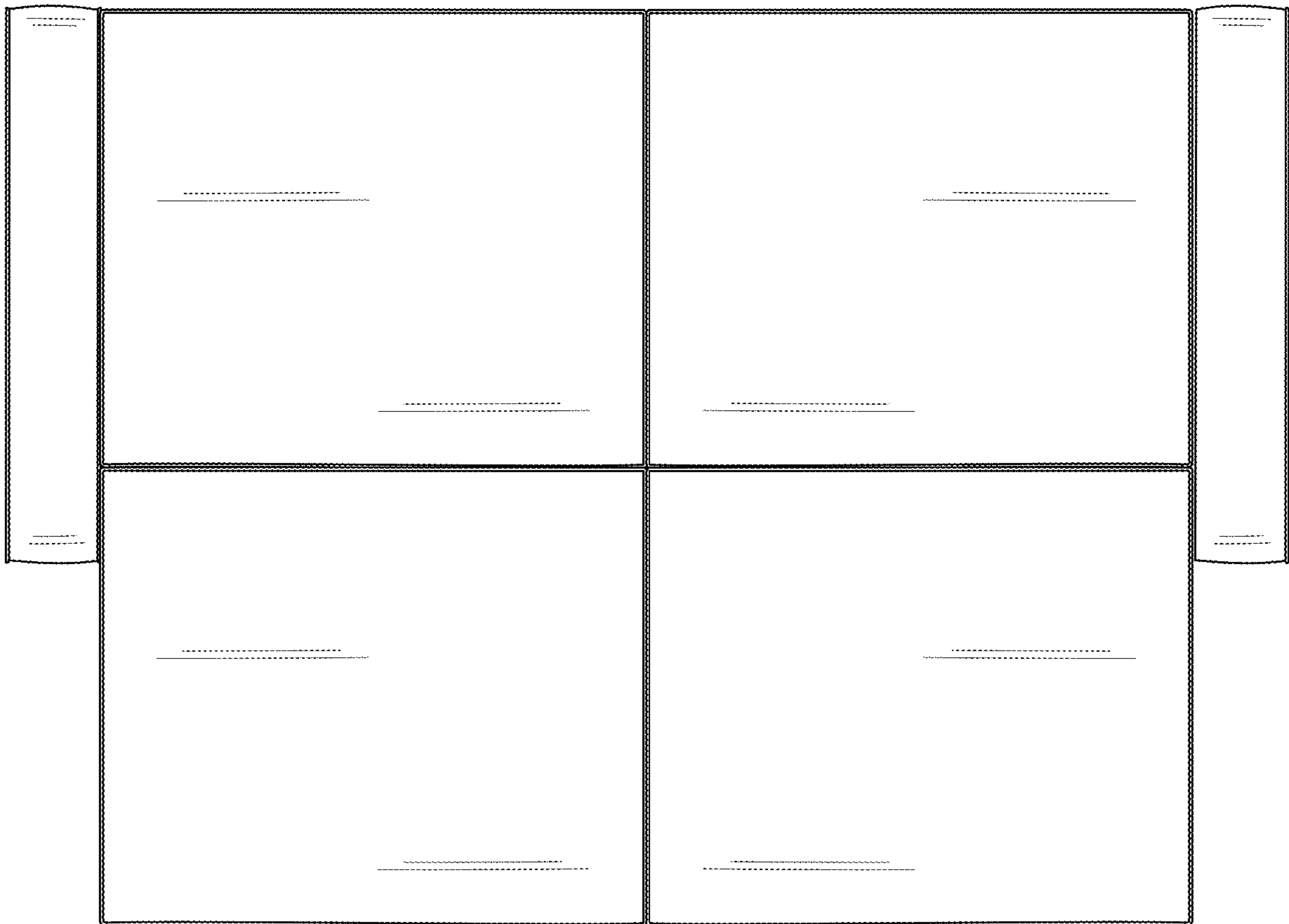


FIG. 10