



US00D982918S

(12) **United States Design Patent** (10) **Patent No.:** **US D982,918 S**
Wu (45) **Date of Patent:** **** Apr. 11, 2023**

(54) **MESH GAMING CHAIR WITH FOOTREST**

(71) Applicant: **GENOVA INC.**, Diamond Bar, CA (US)

(72) Inventor: **Peng Wu**, Shanghai (CN)

(73) Assignee: **GENOVA INC.**, Diamond Bar, CA (US)

(**) Term: **15 Years**

(21) Appl. No.: **29/864,028**

(22) Filed: **May 5, 2022**

(51) **LOC (14) Cl.** **06-01**

(52) **U.S. Cl.**
USPC **D6/366**

(58) **Field of Classification Search**
USPC D6/356, 362, 364, 366, 367, 374, 375,
D6/379, 380, 716.1, 716.2
CPC A47C 1/02; A47C 1/022; A47C 1/024;
A47C 1/032; A47C 1/03255; A47C 3/18;
A47C 3/20; A47C 3/025; A47C 3/026;
A47C 7/18; A47C 7/24; A47C 7/36;
A47C 7/46; A47C 9/02; A47C 5/04;
A47C 5/06; A47C 5/08; A47C 5/10

See application file for complete search history.

(56) **References Cited**

U.S. PATENT DOCUMENTS

D317,534 S *	6/1991	Hansel	D6/333
D661,916 S *	6/2012	Chen	D6/366
D689,314 S *	9/2013	Smith	D6/716
D700,449 S	3/2014	Romane		
D714,070 S *	9/2014	Cvek	D6/366
D888,450 S *	6/2020	Zhou	D6/366
D904,058 S *	12/2020	He	D6/366
D916,478 S *	4/2021	Tu	D6/366
D925,956 S *	7/2021	Lampela	D6/366
D937,594 S *	12/2021	Tu	D6/366
D944,025 S *	2/2022	Buffon	D6/366
D953,759 S *	6/2022	Blommé	D6/356
D955,767 S *	6/2022	Wang	D6/366
D959,160 S *	8/2022	Jung	D6/356

OTHER PUBLICATIONS

Wayfair. https://www.wayfair.com/Vinsetto--Vinsetto-Office-Chair-Adjustable-Height-Recliner-With-Retractable-Footrest-Wheel-Mesh-Back-Home-Grey-921233V80-L861-K-W006562187.html?refid=GX561915042221-W006562187_1426524621&device=c&ptid=1902008318372&network=g&targetid=pla-1902008318372&channel=GooglePLA&ireid=120224392&fdid=1817&PiID%5B%5D=1426524621&gclid=Cj0KCQiA54KfBhCKARIsAJzSrdr1_lhAwc21oRjly8oaqulwCCaLlsJYXwE_nDy_TFhwKyHM4pmkvYcaArMREALw_wcB. "Vinsetto Office Chair Adjustable Height Recliner With Retractable Footrest". Date Unknown: Viewed Feb. 2023 (Year: 2023).*

Wayfair. <https://www.wayfair.com/furniture/pdp/loungie-aarohi-faux-leather-comfortable-game-chair-loug1011.html?piid=70463001>. "Loungie Aarohi Faux Leather Comfortable Game Chair." Date Unknown: Viewed Feb. 2023 (Year: 2023).*

Amazon.com. <https://www.amazon.com/RESPAWN-Gaming-Ergonomic-Computer-Office/dp/B09WRRV7DM?th=1>. "Respawn Flexx Gaming Chair". Mar. 2022 (Year: 2022).*

* cited by examiner

Primary Examiner — R. Johnson
(74) *Attorney, Agent, or Firm* — Bayramoglu Law Offices LLC

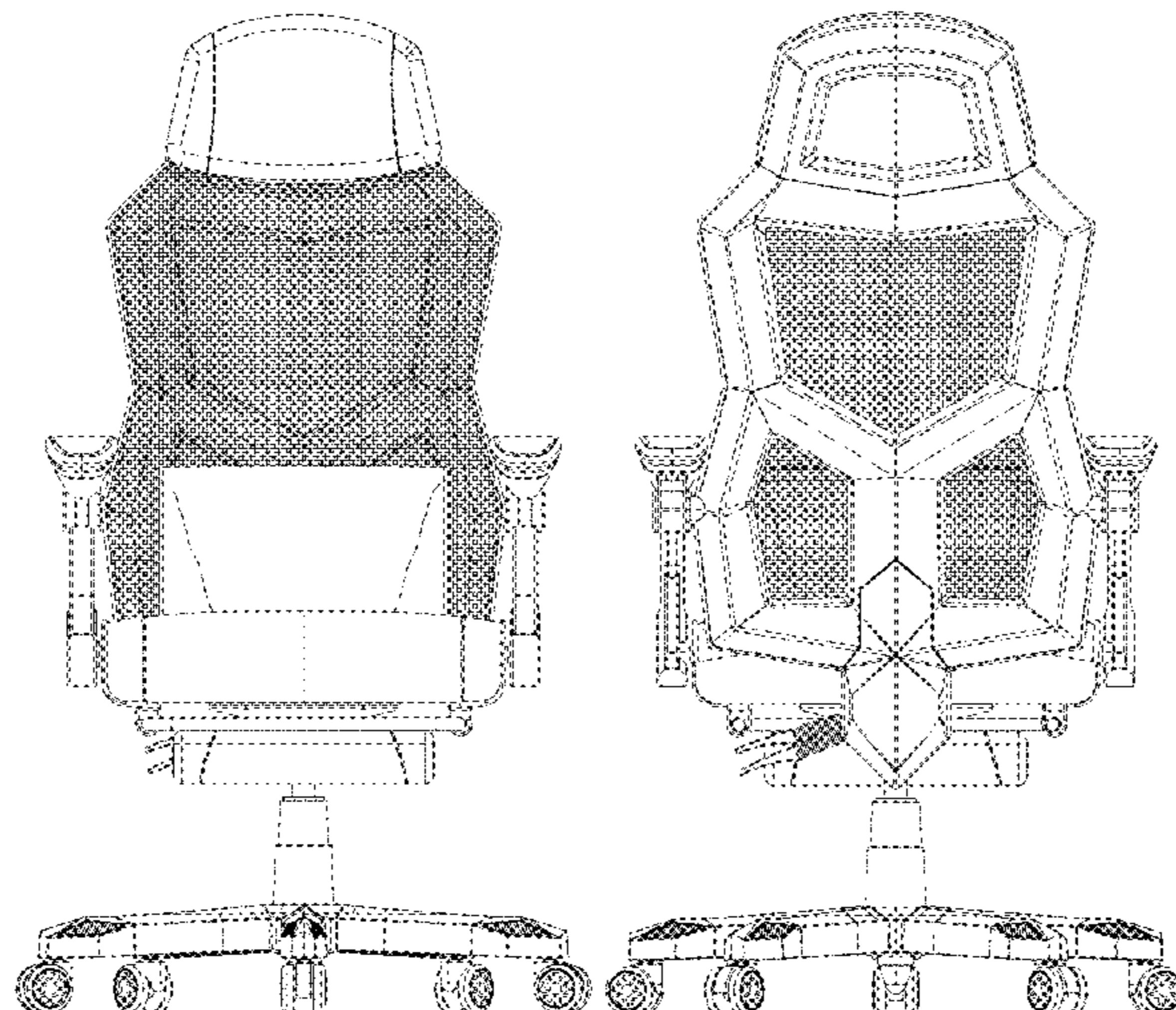
(57) **CLAIM**

The ornamental design for a mesh gaming chair with footrest, as shown and described.

DESCRIPTION

FIG. 1 is a front elevational view a mesh gaming chair with footrest showing our new design;
FIG. 2 is a rear elevational view thereof;
FIG. 3 is a top plan view thereof;
FIG. 4 is a bottom plan view thereof;
FIG. 5 is a left side elevational view of thereof;
FIG. 6 is a right side elevational view thereof; and,
FIG. 7 is a right perspective view thereof.

1 Claim, 7 Drawing Sheets



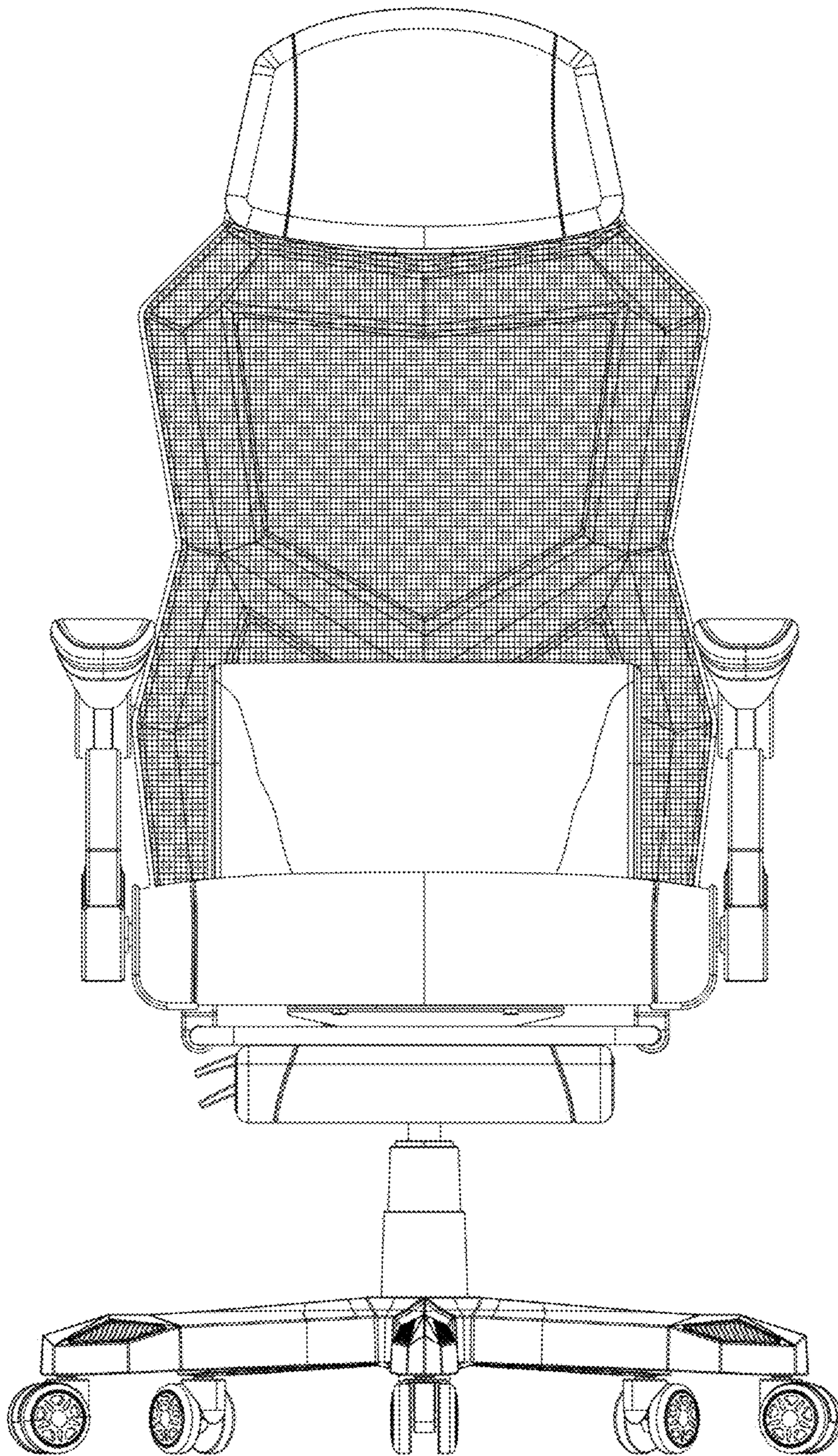


FIG. 1

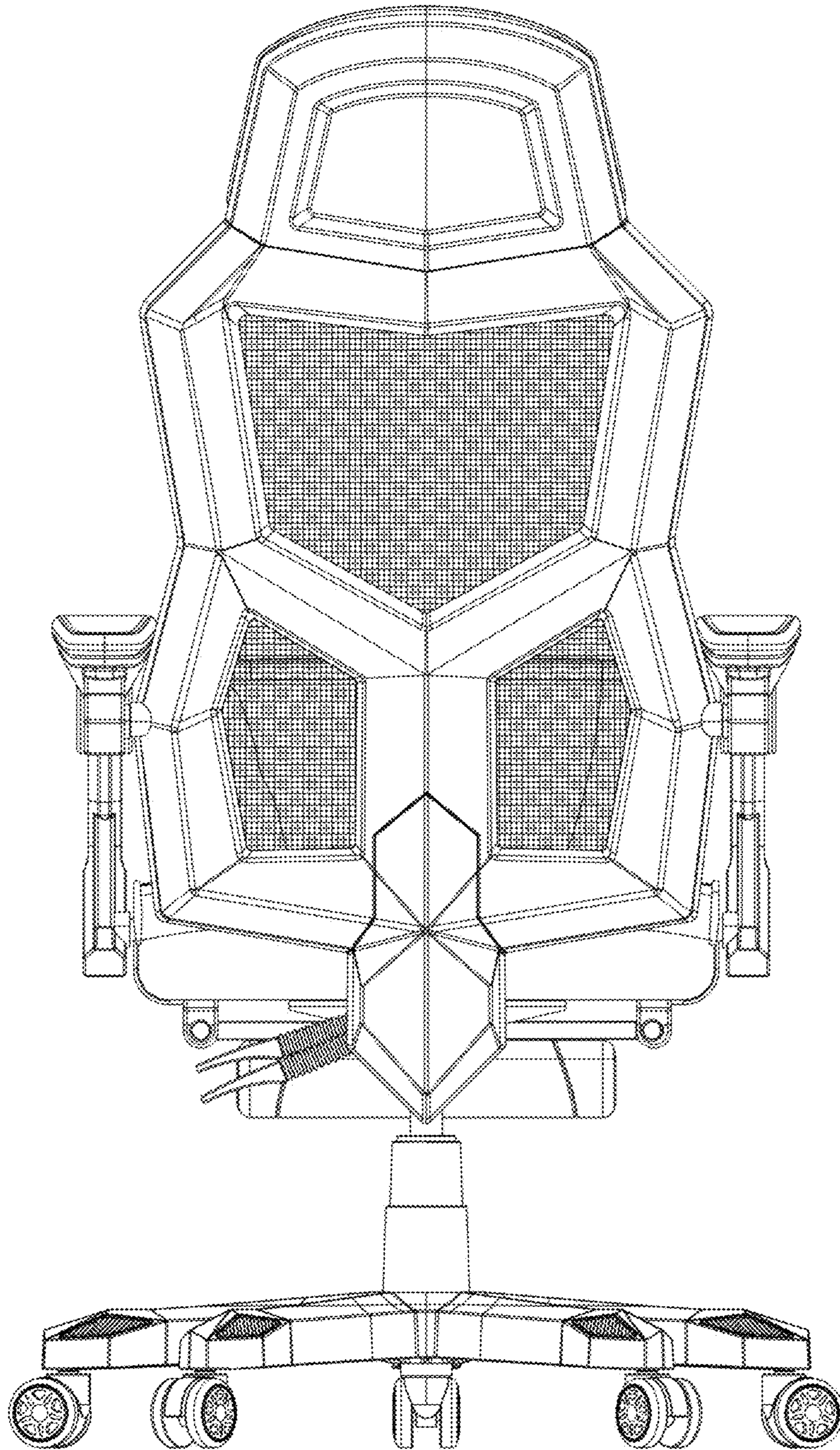


FIG. 2

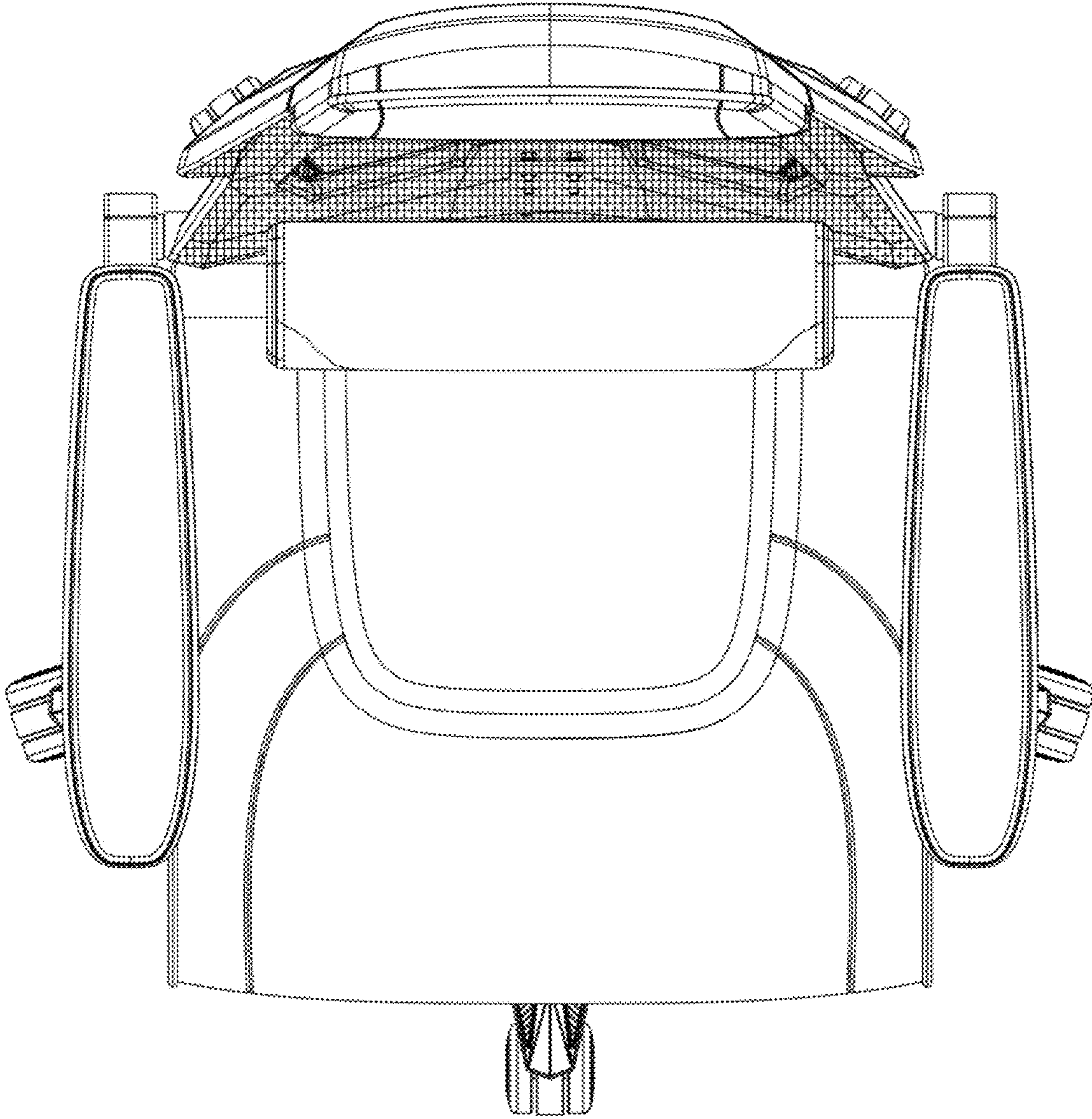


FIG. 3

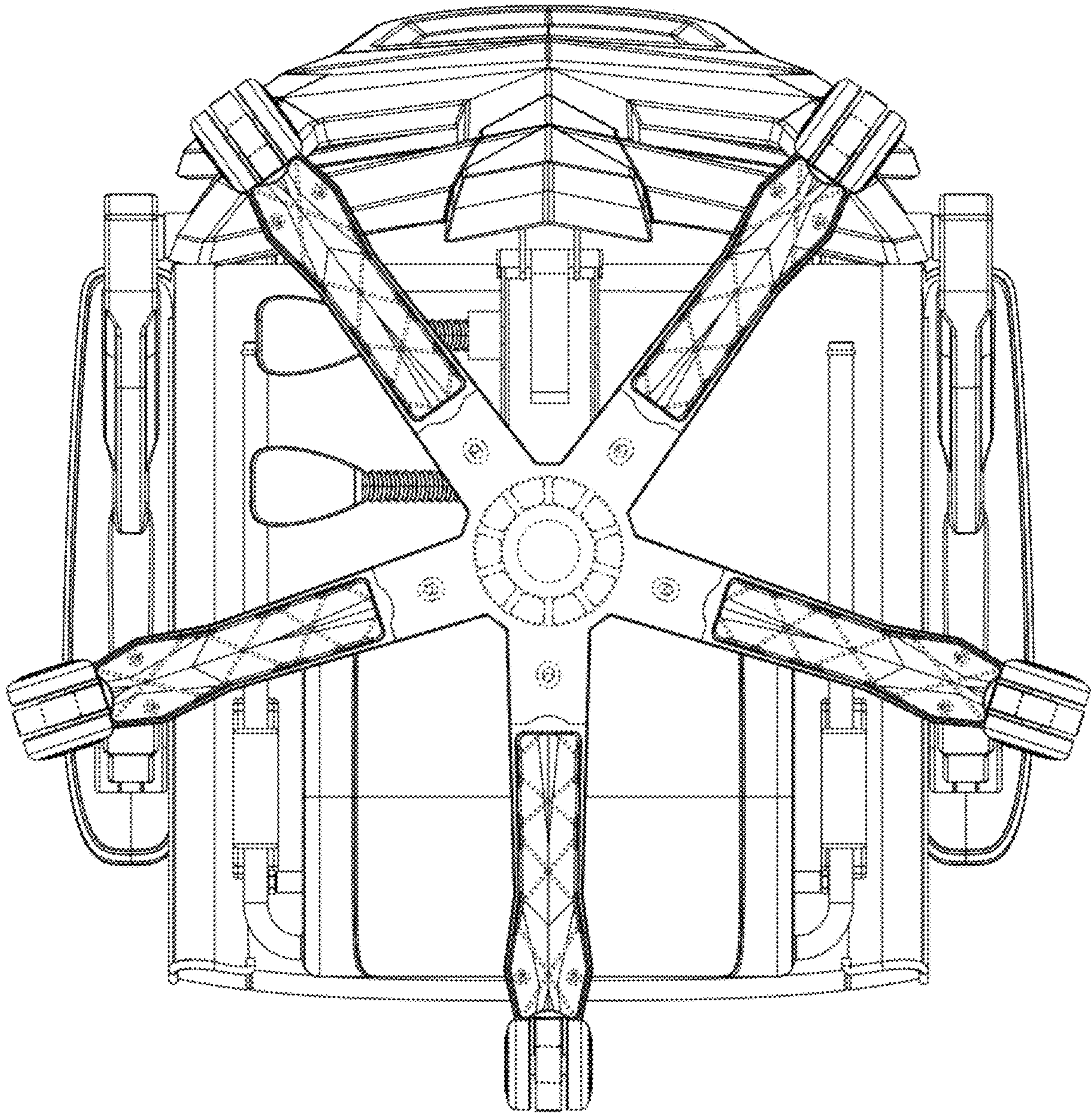


FIG. 4

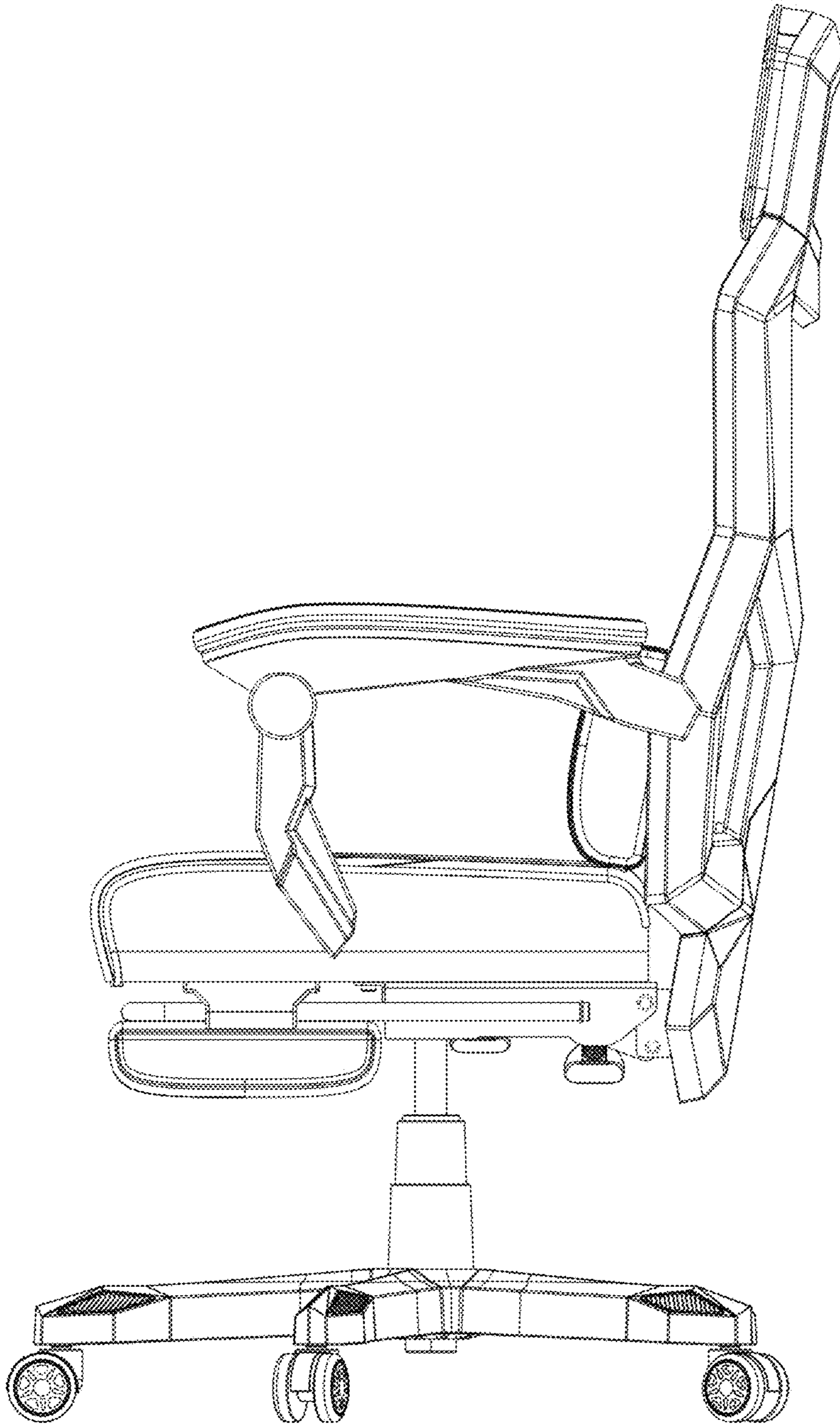


FIG. 5

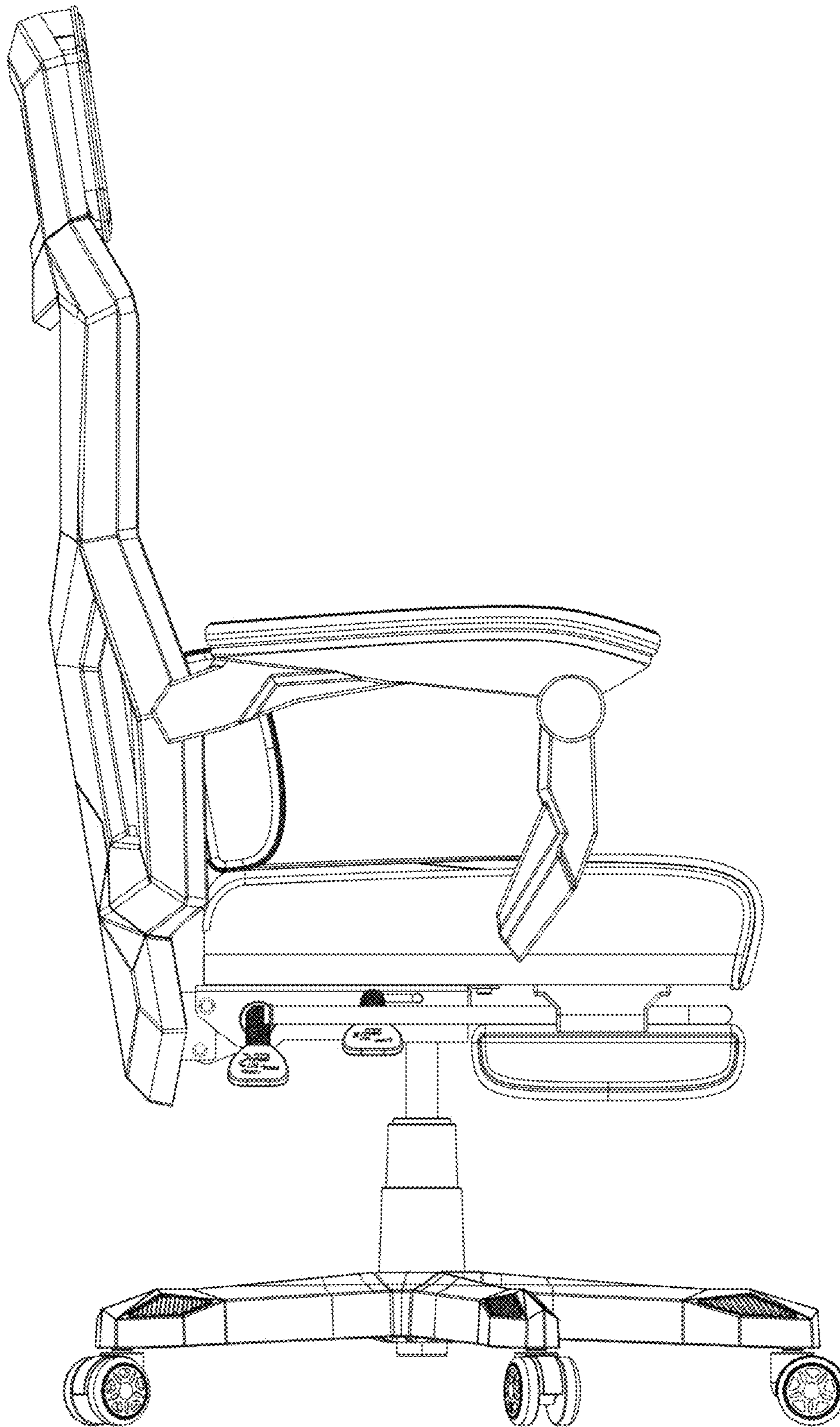


FIG. 6

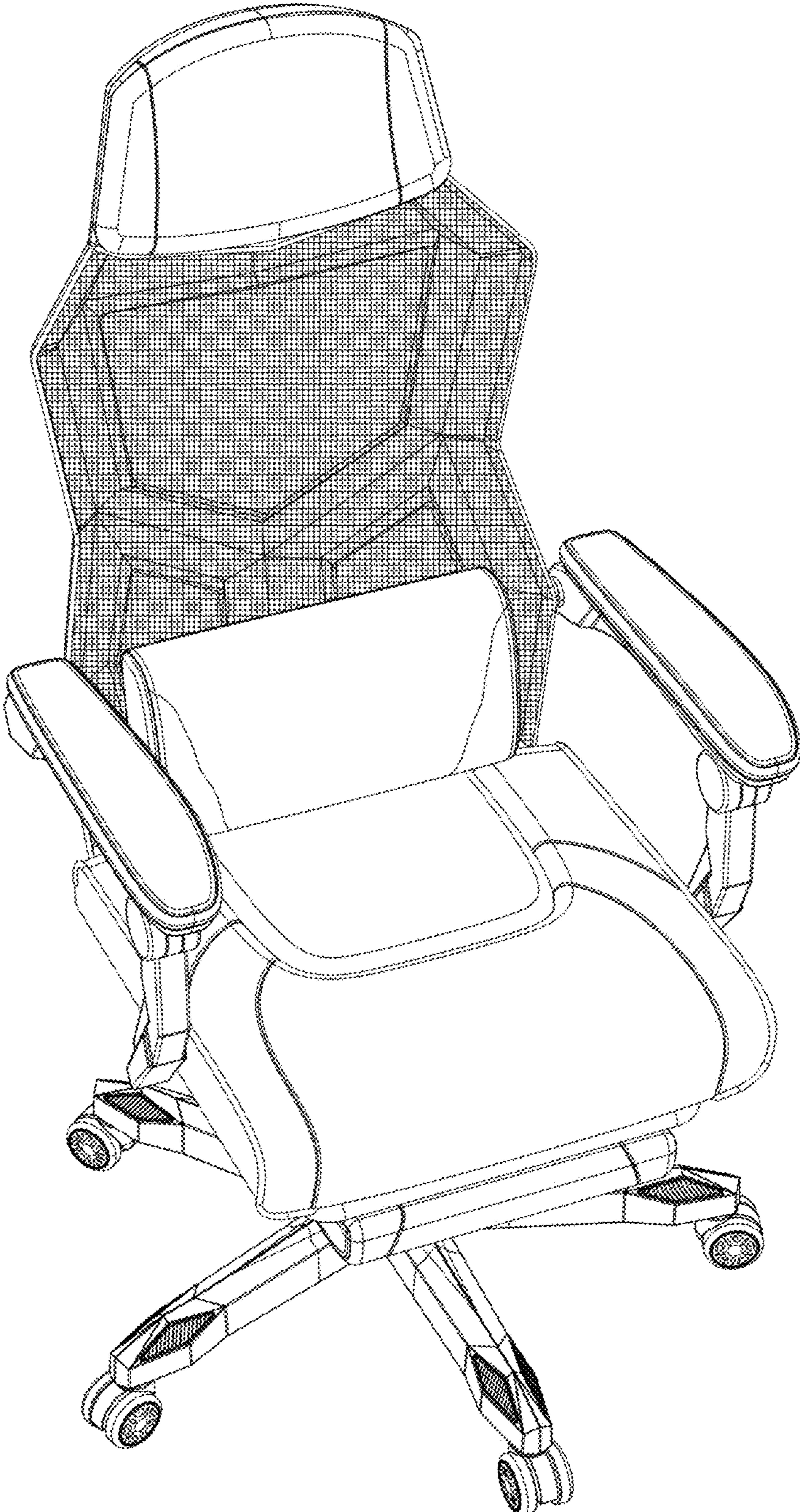


FIG. 7