



US00D982917S

(12) **United States Design Patent**  
**Bishop et al.**

(10) **Patent No.:** **US D982,917 S**

(45) **Date of Patent:** **\*\* Apr. 11, 2023**

(54) **STORAGE OTTOMAN**

(71) Applicant: **The Ames Companies, Inc.**, Camp Hill, PA (US)

(72) Inventors: **Ryan Barclay Bishop**, Ocala, FL (US);  
**Michael Cordero**, Hialeah, FL (US);  
**David Lee Kreiser**, Orlando, FL (US)

(73) Assignee: **The Ames Companies, Inc.**, Camp Hill, PA (US)

(\*\*) Term: **15 Years**

(21) Appl. No.: **29/756,727**

(22) Filed: **Oct. 30, 2020**

(51) **LOC (14) Cl.** ..... **06-01**

(52) **U.S. Cl.**  
USPC ..... **D6/349**

(58) **Field of Classification Search**  
USPC ..... D6/349, 350, 351, 353, 355, 334, 335,  
D6/336, 675, 685, 657, 663, 691.8, 691.7;  
D21/522

(Continued)

(56) **References Cited**

**U.S. PATENT DOCUMENTS**

3,478,890 A 11/1969 Mlsop  
D241,899 S \* 10/1976 Kingsford ..... D6/657

(Continued)

**FOREIGN PATENT DOCUMENTS**

BR 202014010914 U2 4/2014  
CN 201831323 U 5/2011

(Continued)

**OTHER PUBLICATIONS**

Untitled—Closetmaid, available in [instagram.com](https://www.instagram.com/p/CRZbxfTnXry/), published Jul. 16, 2021 Year 2021 [online], Retrieved on May 25, 2022 from URL: <https://www.instagram.com/p/CRZbxfTnXry/> (Year: 2021).\*

(Continued)

*Primary Examiner* — Vy N Koenig

*Assistant Examiner* — Michelle M Reeves

(74) *Attorney, Agent, or Firm* — Brooks Kushman P.C.

(57) **CLAIM**

The ornamental design for a storage ottoman, as shown and described.

**DESCRIPTION**

FIG. 1 is a perspective view of a storage ottoman according to an embodiment;

FIG. 2 is a front side view of the storage ottoman of FIG. 1, the rear side view, left side view, and right side view being identical thereto;

FIG. 3 is a top view of the storage ottoman of FIG. 1;

FIG. 4 is a bottom view of the storage ottoman of FIG. 1;

FIG. 5 is a perspective view of a storage ottoman according to another embodiment;

FIG. 6 is a front side view of the storage ottoman of FIG. 5, the rear side view, left side view, and right side views being identical thereto;

FIG. 7 is a top view of the storage ottoman of FIG. 5;

FIG. 8 is a bottom view of the storage ottoman of FIG. 5;

FIG. 9 is a perspective view of a storage ottoman according to another embodiment;

FIG. 10 is a front side view of the storage ottoman of FIG. 9, the rear side view, left side view, and right side view being identical thereto;

FIG. 11 is a top view of the storage ottoman of FIG. 9;

FIG. 12 is a bottom view of the storage ottoman of FIG. 9;

FIG. 13 is a perspective view of a storage ottoman according to another embodiment;

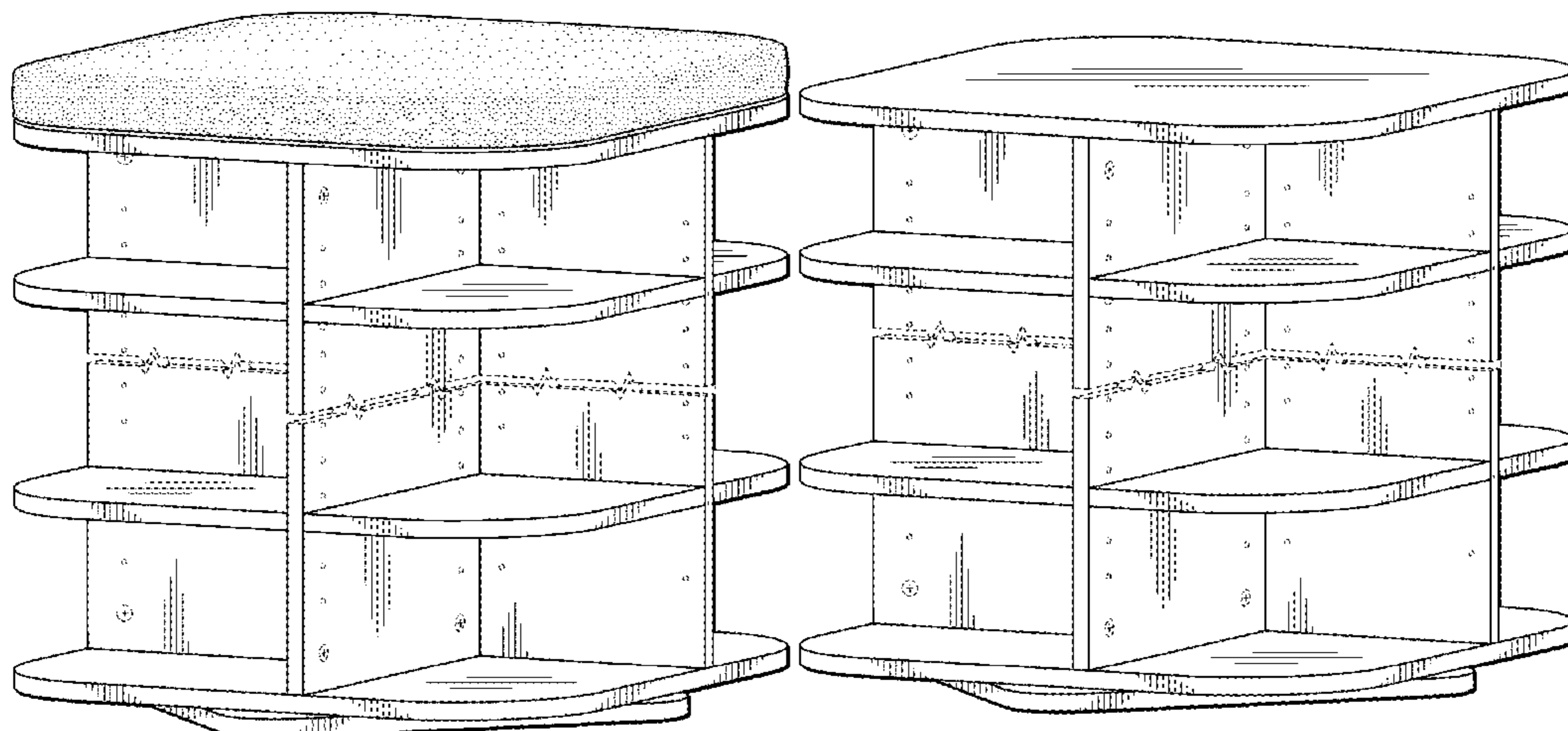
FIG. 14 is a front side view of the storage ottoman of FIG. 13, the rear side view, left side view, and right side view being identical thereto;

FIG. 15 is a top view of the storage ottoman of FIG. 13; and,

FIG. 16 is a bottom view of the storage ottoman of FIG. 13.

The broken lines depict environmental subject matter and form no part of the claimed design. In FIGS. 9-10 and 13-14, any portion of the storage ottoman between the break lines forms no part of the claimed design.

**1 Claim, 12 Drawing Sheets**



# US D982,917 S

Page 2

(58) **Field of Classification Search**

CPC ..... A47C 17/045; A47C 3/16; A47C 4/021;  
A47J 47/02; A01K 97/22; D06F 95/002  
See application file for complete search history.

(56) **References Cited**

U.S. PATENT DOCUMENTS

4,067,607 A \* 1/1978 Battles ..... A01K 97/22  
D3/905  
4,269,124 A \* 5/1981 Rosenthal ..... A47F 5/02  
108/103  
5,033,626 A 7/1991 Platti  
D328,205 S \* 7/1992 Callon ..... D6/677.4  
D351,508 S \* 10/1994 Bonazza ..... D6/349  
D361,219 S \* 8/1995 Luymes ..... D6/407  
5,542,758 A \* 8/1996 Brown ..... A47B 61/00  
211/85.3  
5,636,751 A \* 6/1997 Frank ..... A47B 61/04  
211/163  
D387,236 S \* 12/1997 Madonna ..... D6/675.1  
6,102,216 A 8/2000 Frank  
6,206,493 B1 \* 3/2001 Sanchez-Levin ..... A47F 5/05  
312/249.2  
6,439,406 B1 \* 8/2002 Duhon ..... A47B 49/00  
211/163

6,478,374 B1 \* 11/2002 Sinoway ..... A47C 3/04  
297/239  
D466,728 S \* 12/2002 Cain ..... D6/692.1  
D625,124 S \* 10/2010 Campbell ..... D6/680  
D653,052 S \* 1/2012 Finney ..... D6/677.1  
9,004,299 B2 4/2015 Hardin  
9,320,366 B1 \* 4/2016 Bertault ..... A47F 5/0025  
9,427,081 B1 8/2016 Hardin  
D793,129 S \* 8/2017 Bertault ..... D6/677.1  
D811,104 S \* 2/2018 Schachter ..... D6/349  
2016/0113394 A1 4/2016 Goldsticker  
2016/0255953 A1 9/2016 Bonaduce  
2020/0003258 A1 1/2020 Andersson

FOREIGN PATENT DOCUMENTS

CN 301585322 S 6/2011  
CN 202980998 U 6/2013  
CN 105476286 A 4/2016  
CN 107125960 A 9/2017  
CN 107981577 A 5/2018

OTHER PUBLICATIONS

Hemmis, "DIY Rotating Shoe Rack", Feb. 20, 2018, 4 pages.

\* cited by examiner

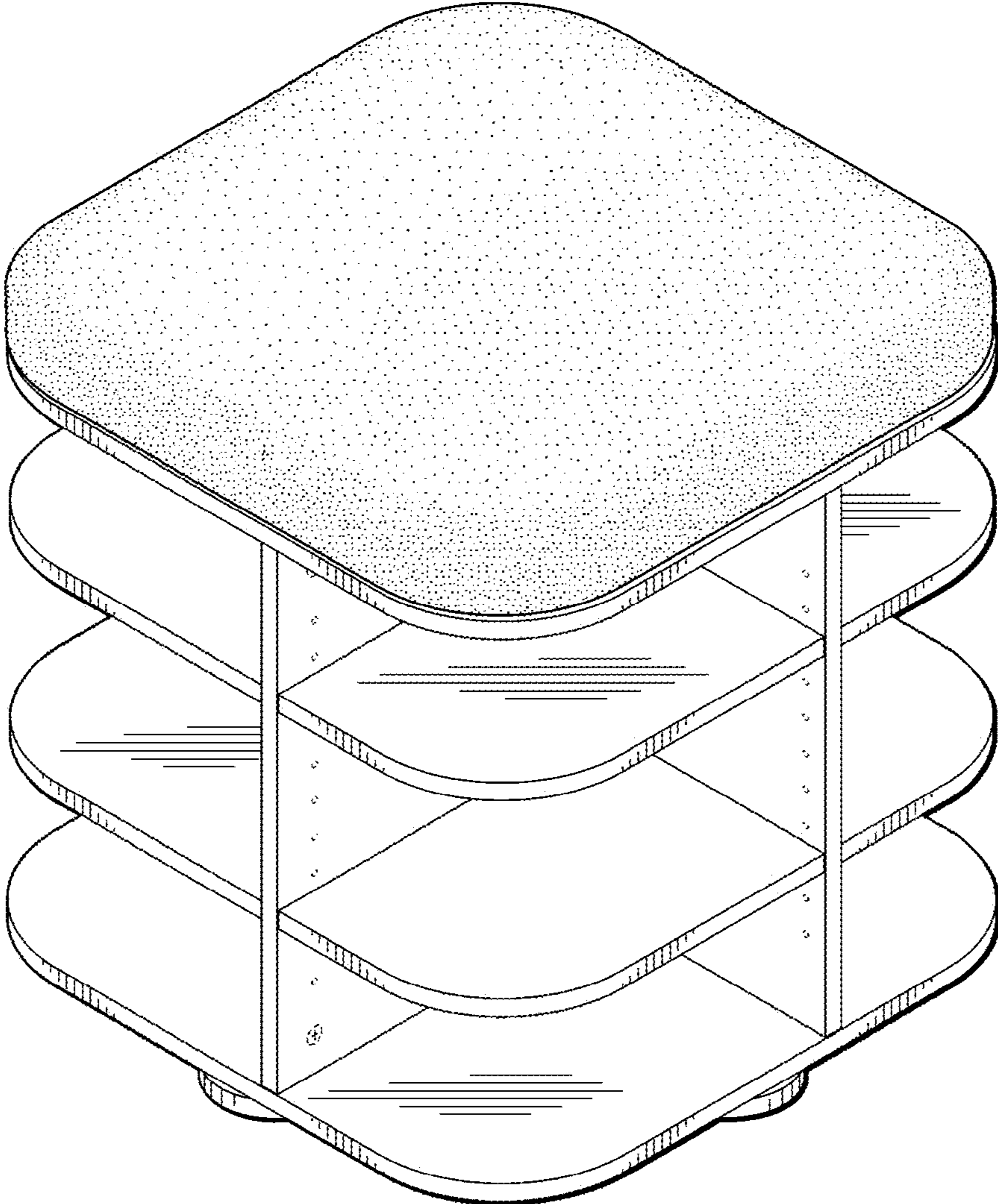


FIG. 1

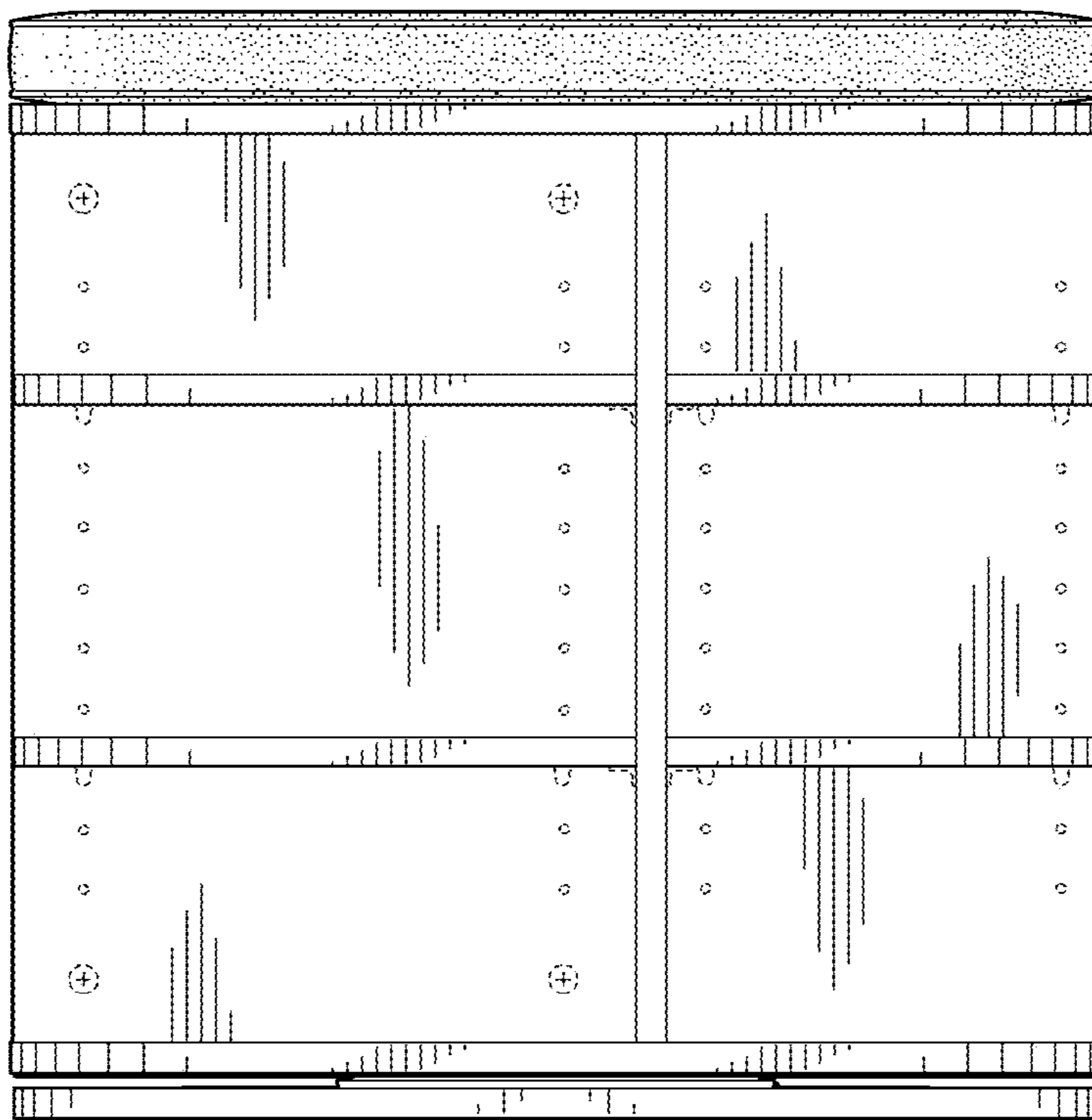
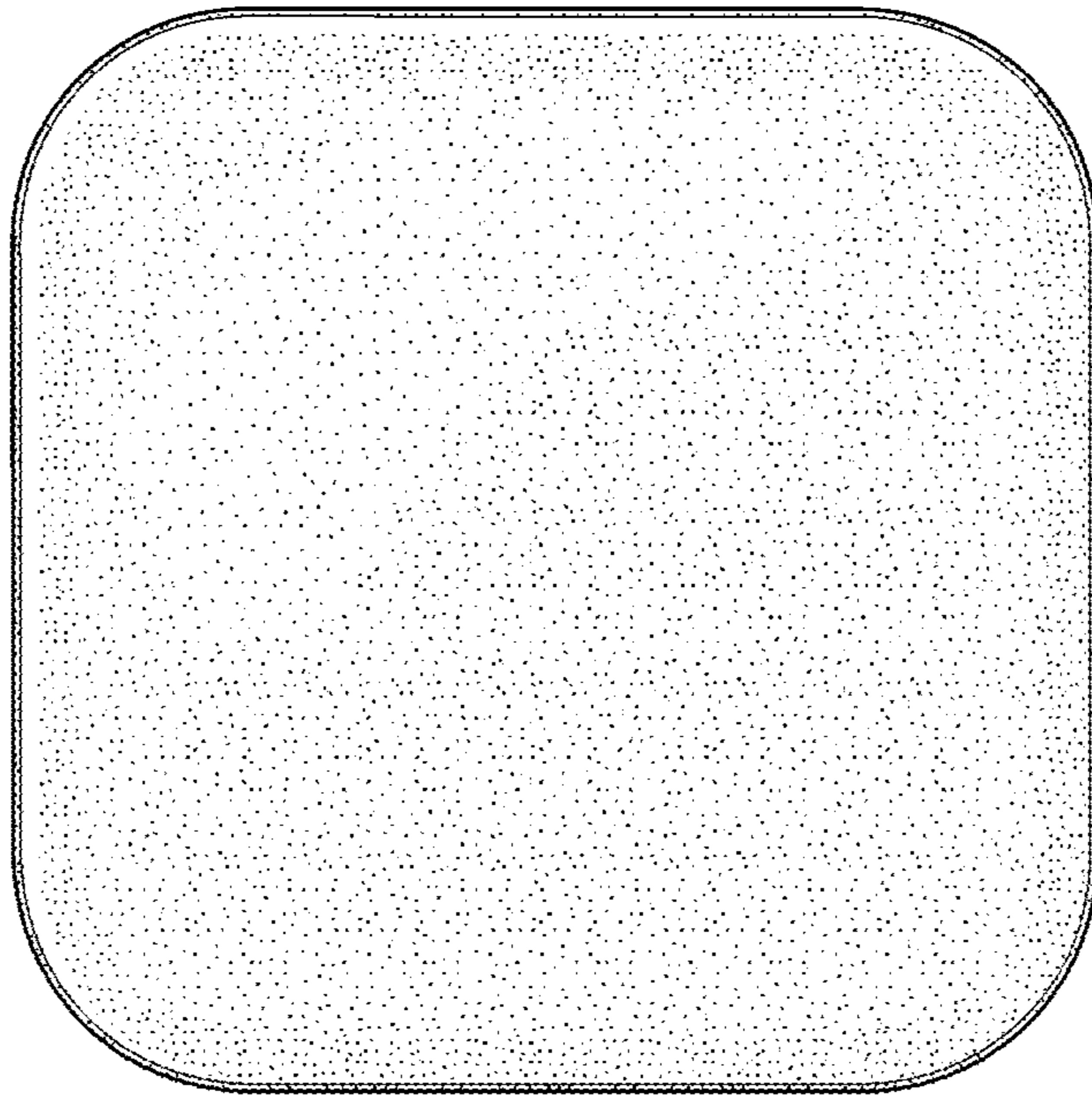
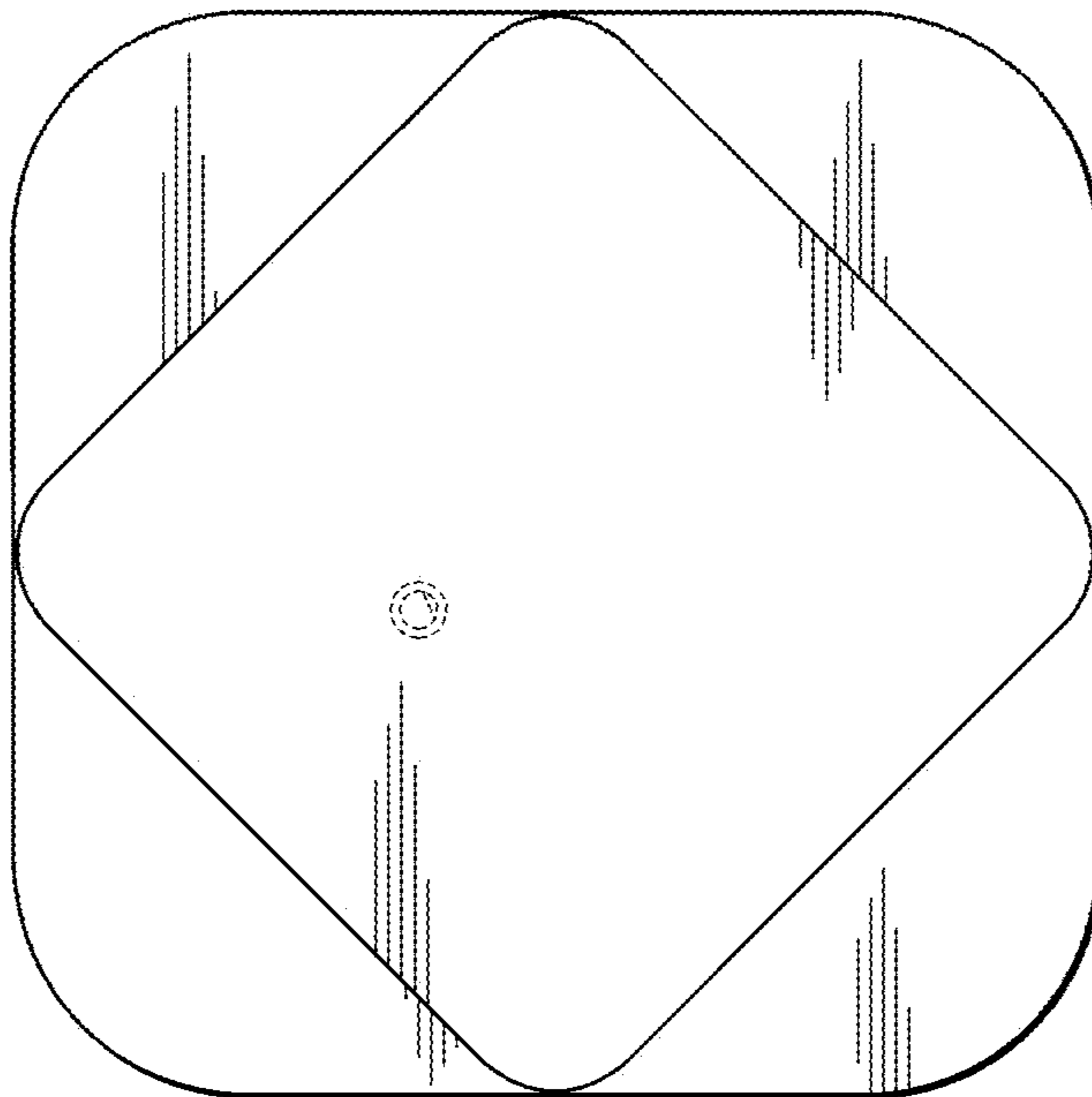


FIG. 2



**FIG. 3**



**FIG. 4**

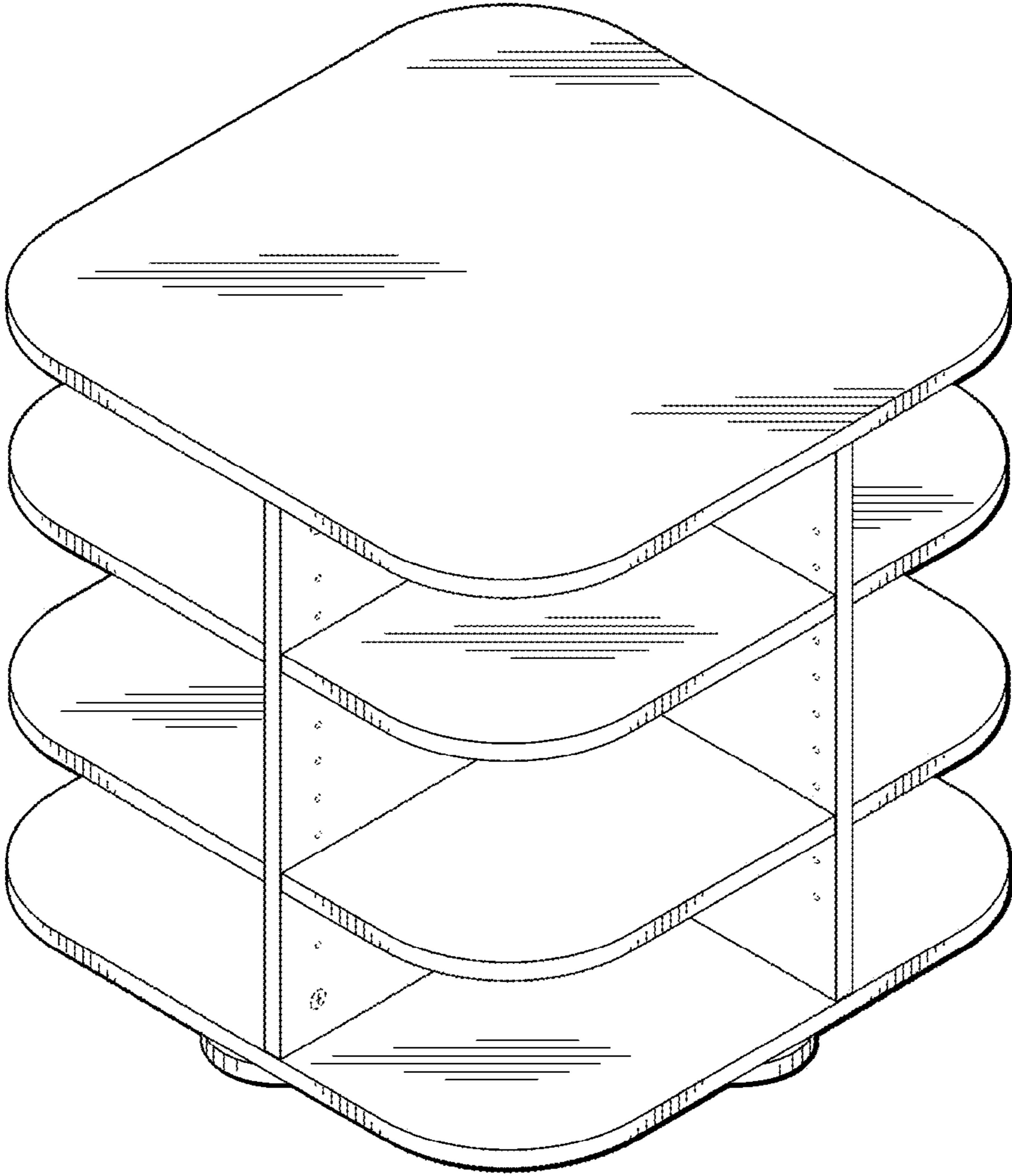


FIG. 5

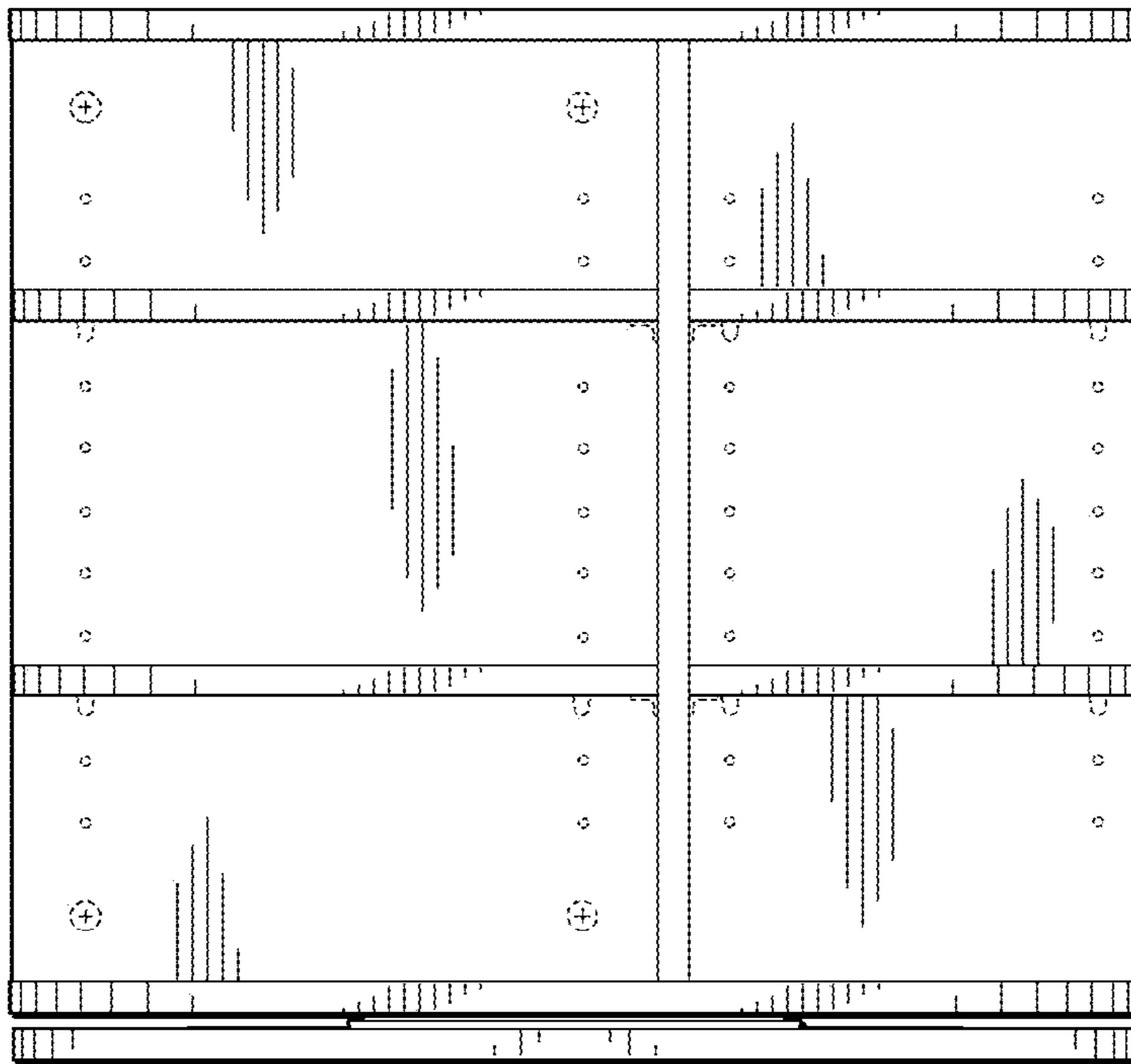
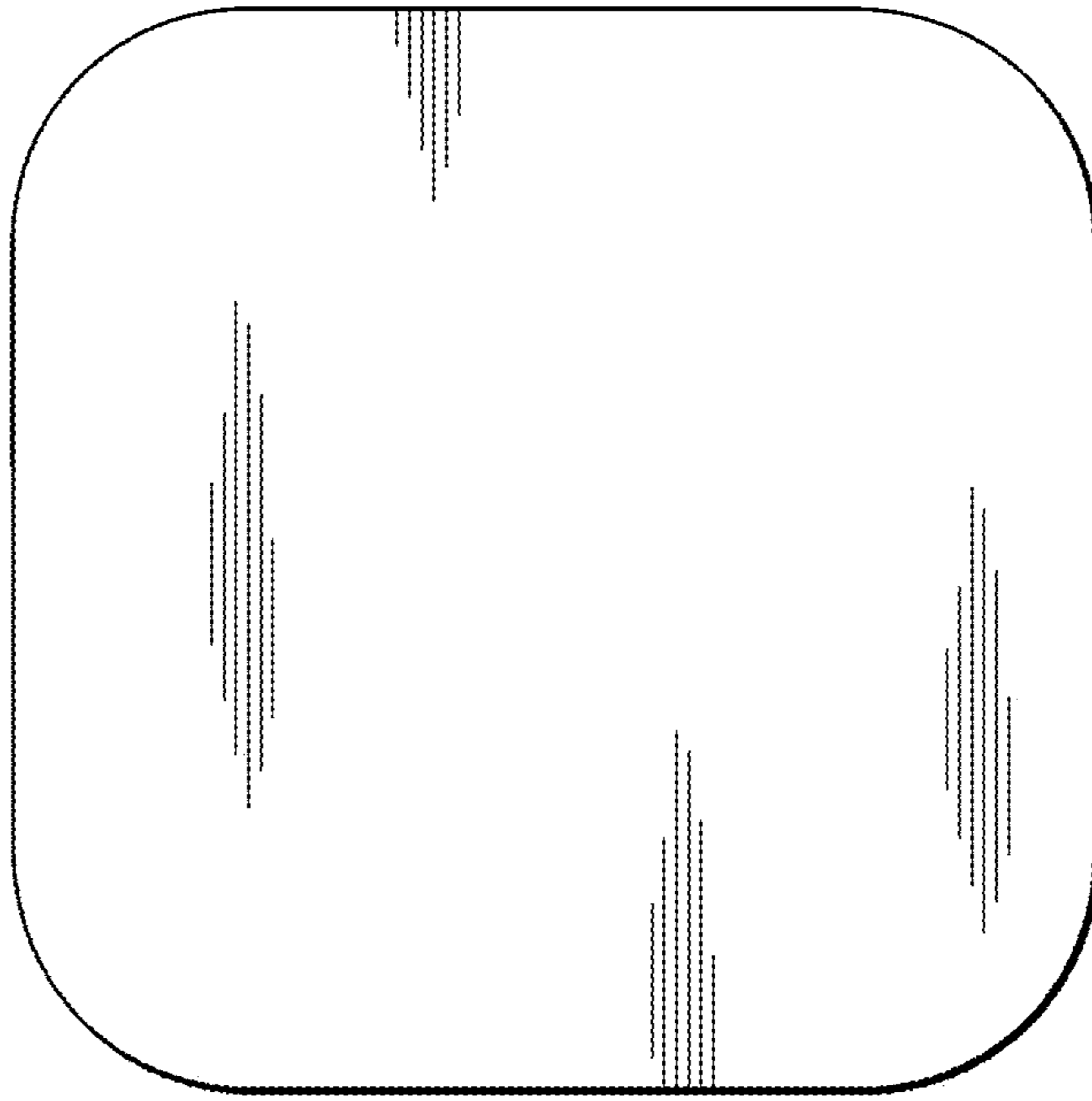
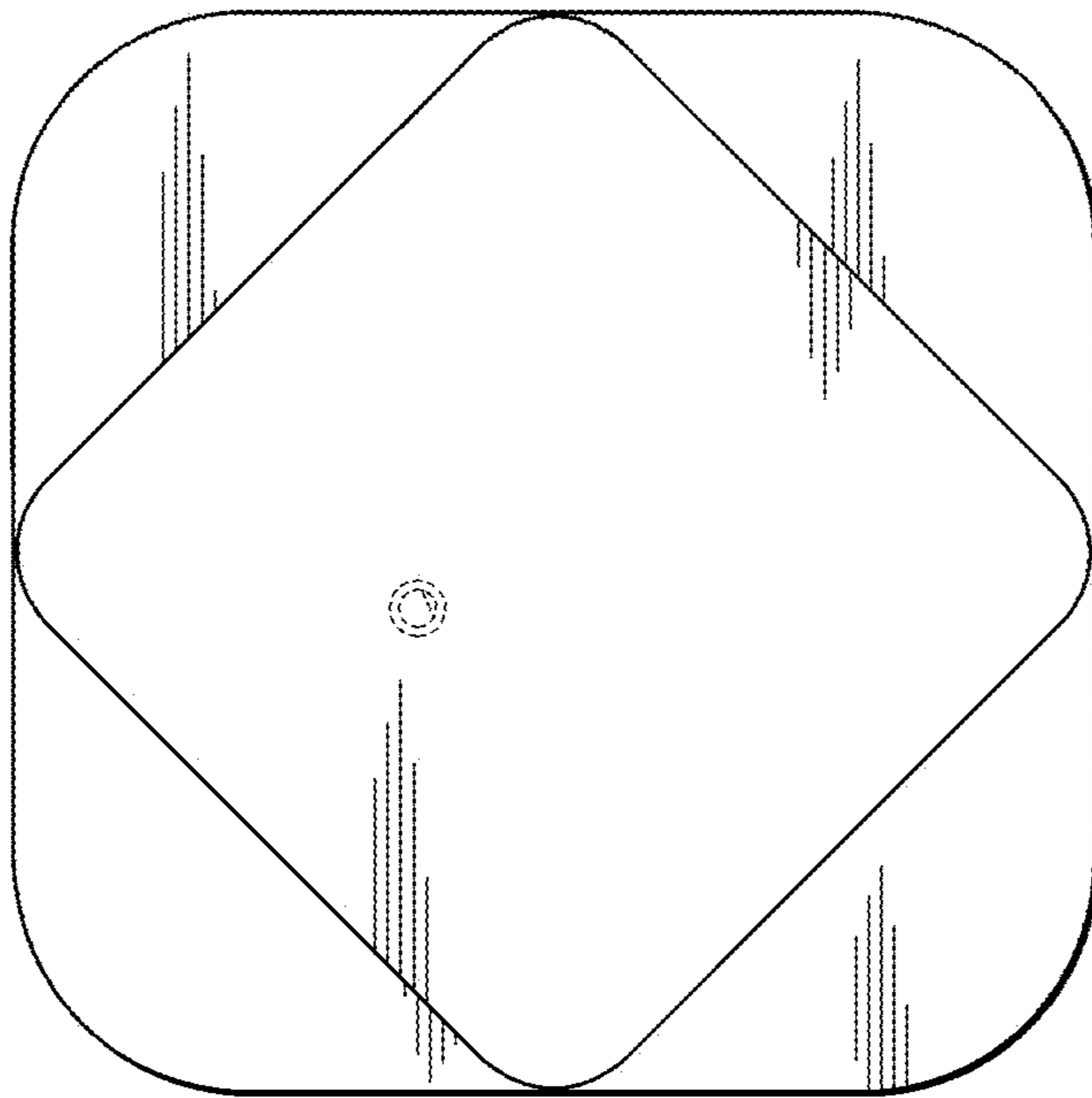


FIG. 6



**FIG. 7**



**FIG. 8**



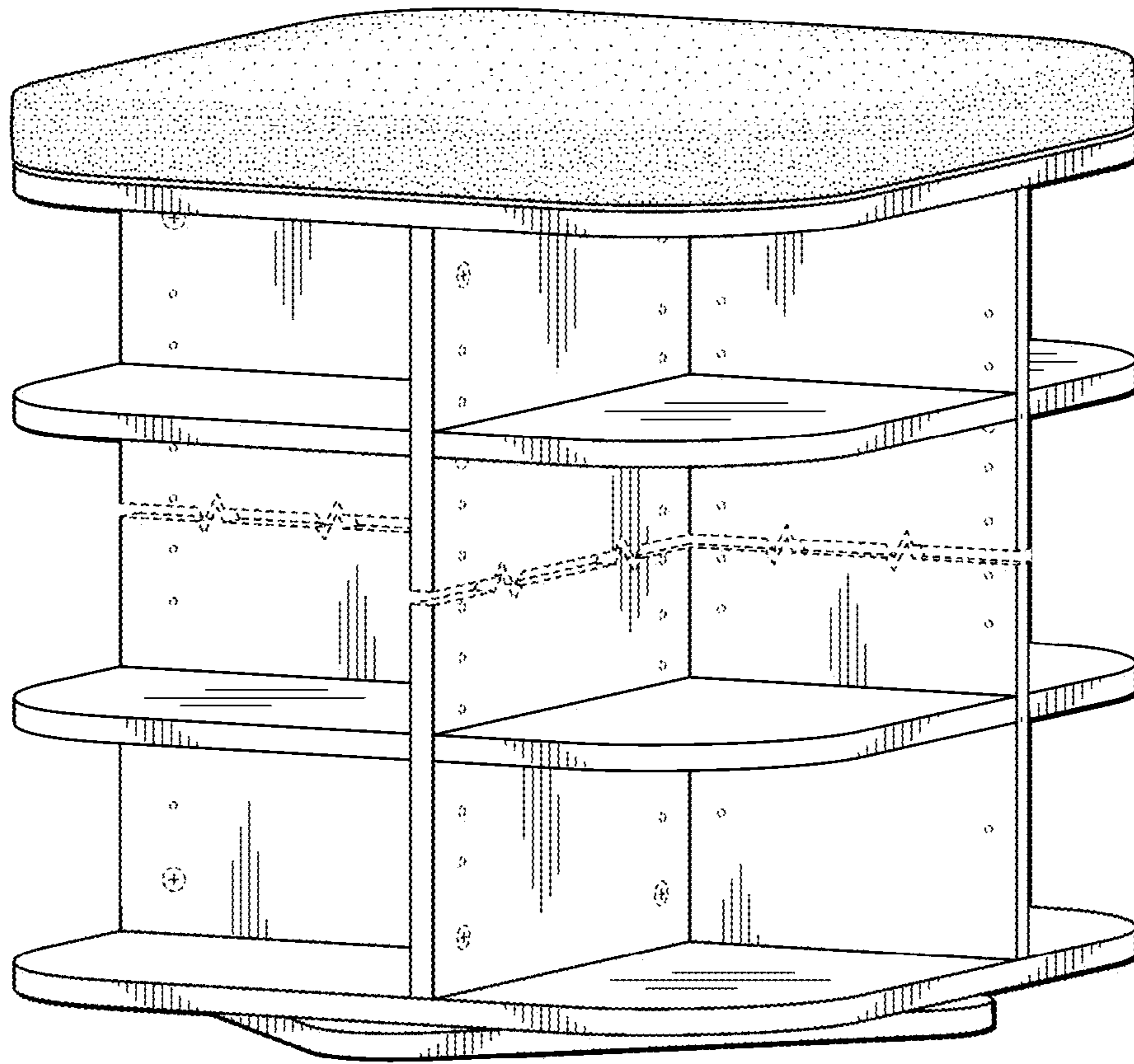


FIG. 9

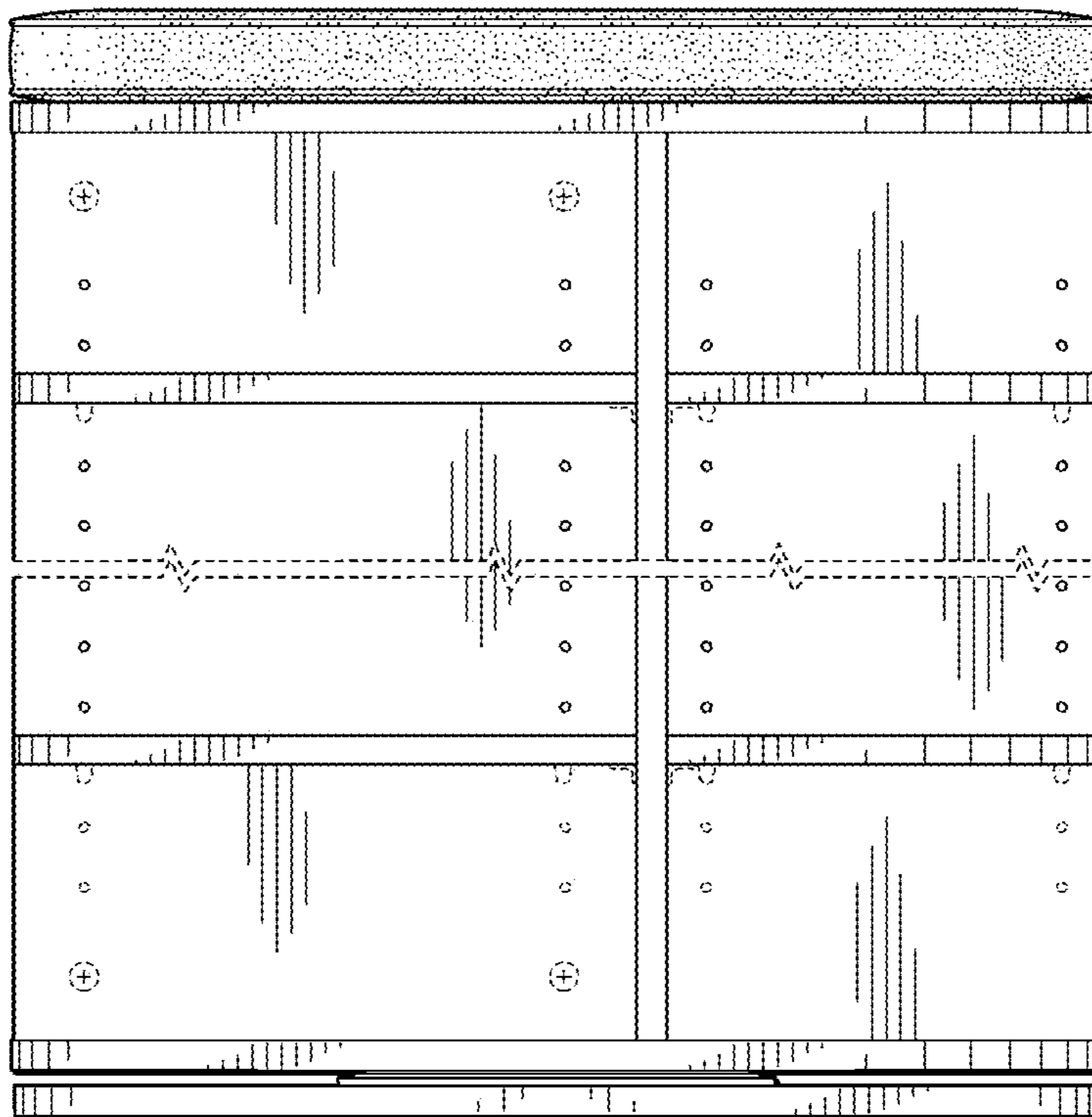
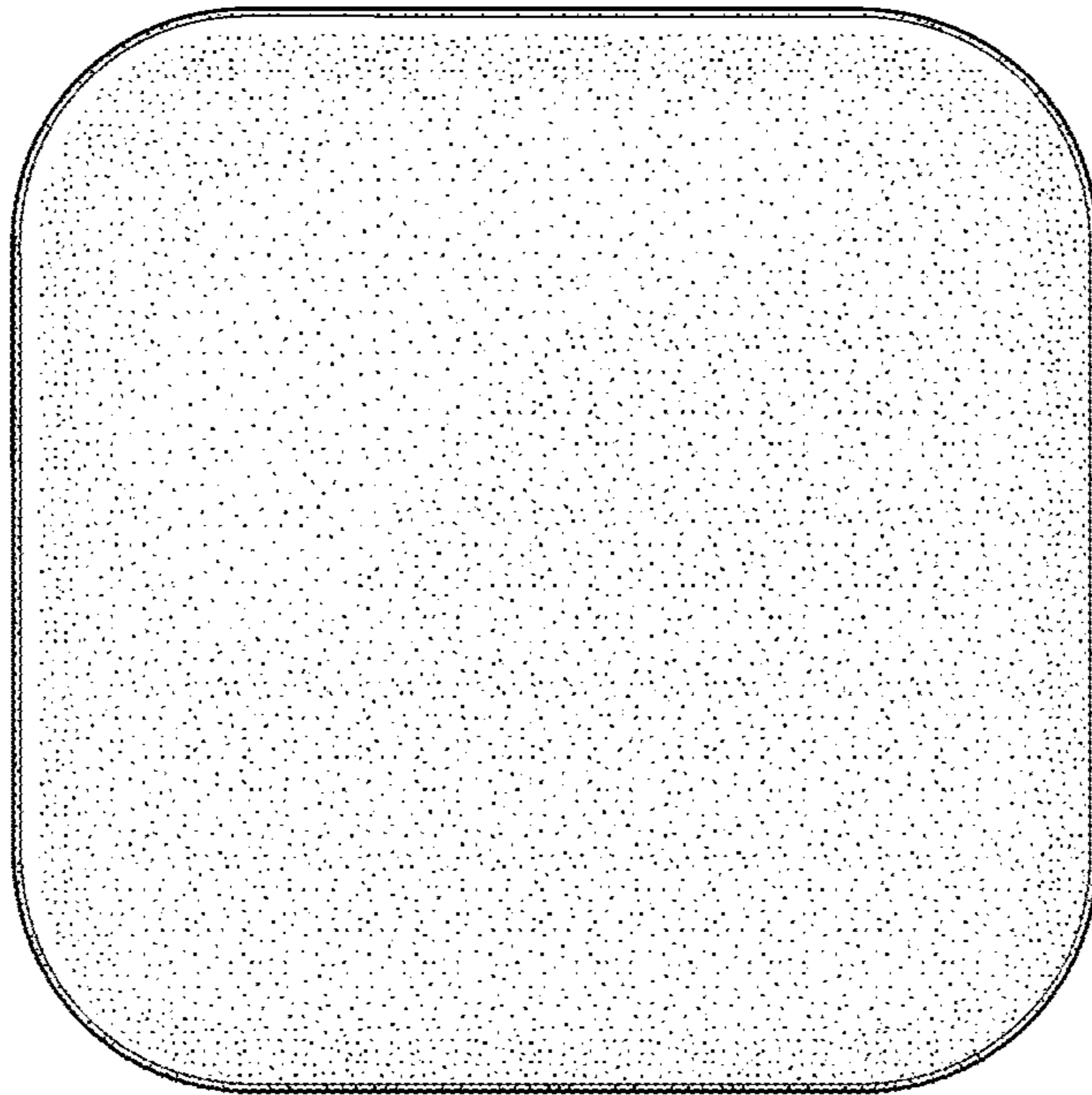
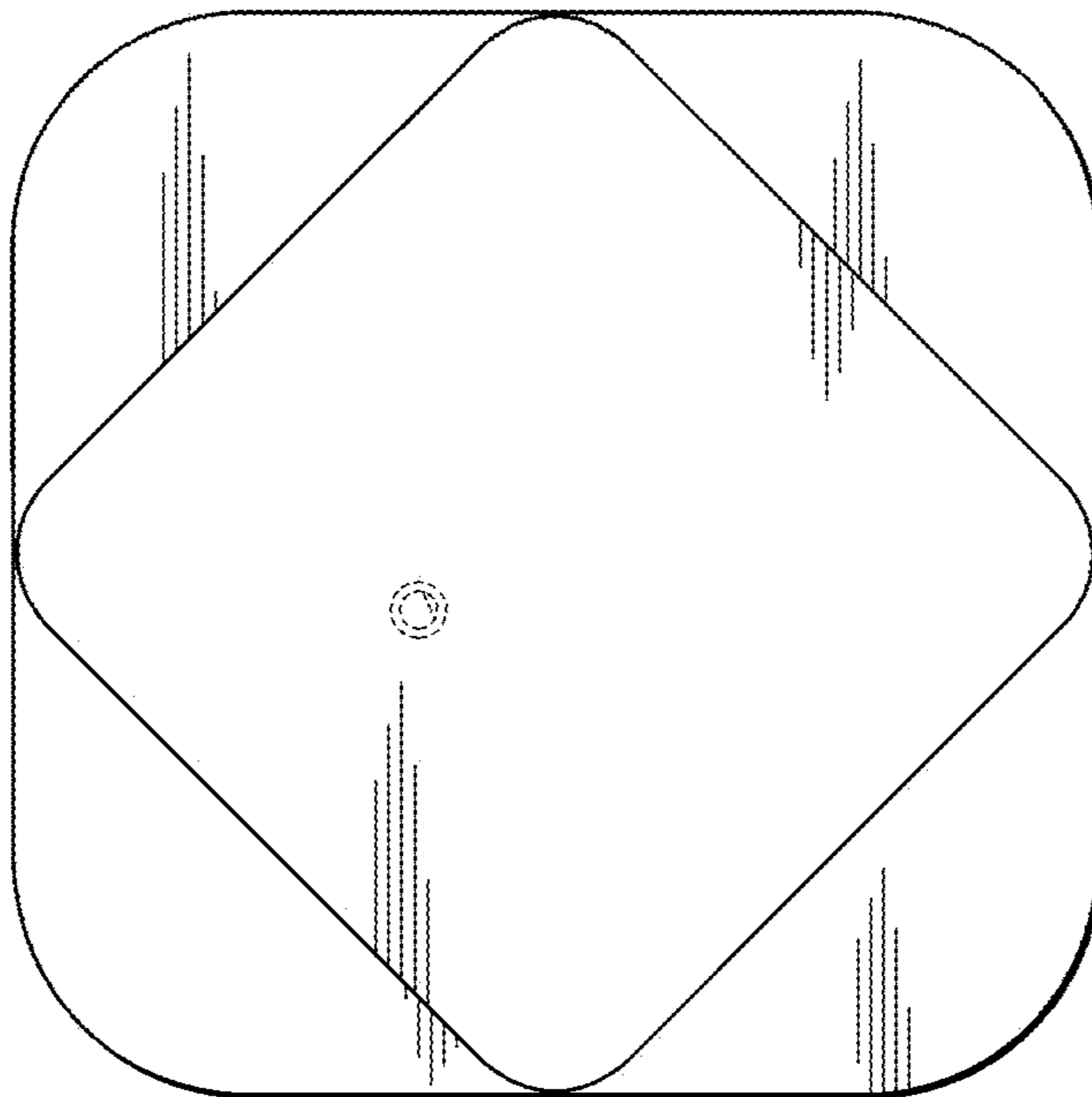


FIG. 10



**FIG. 11**



**FIG. 12**

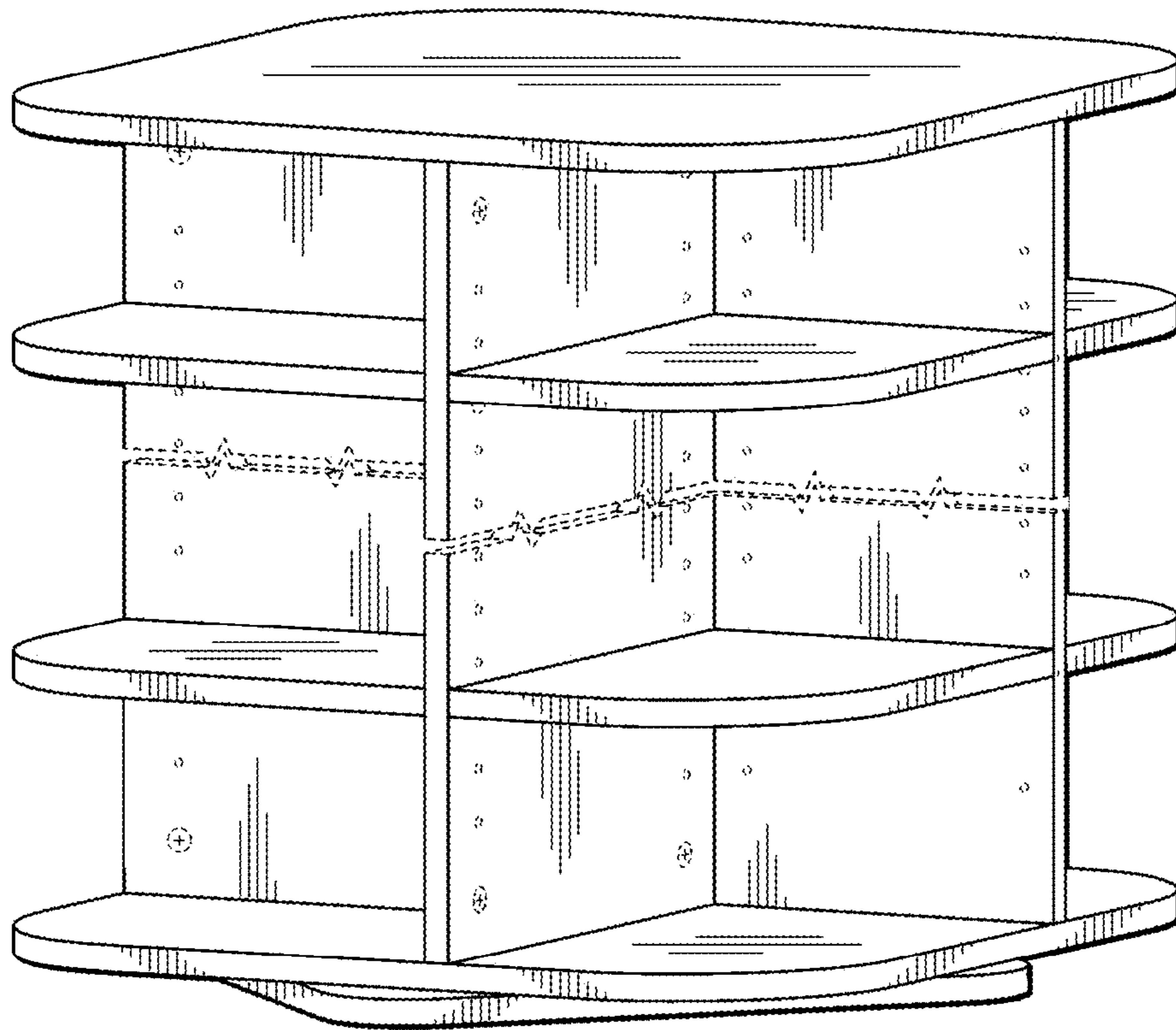


FIG. 13

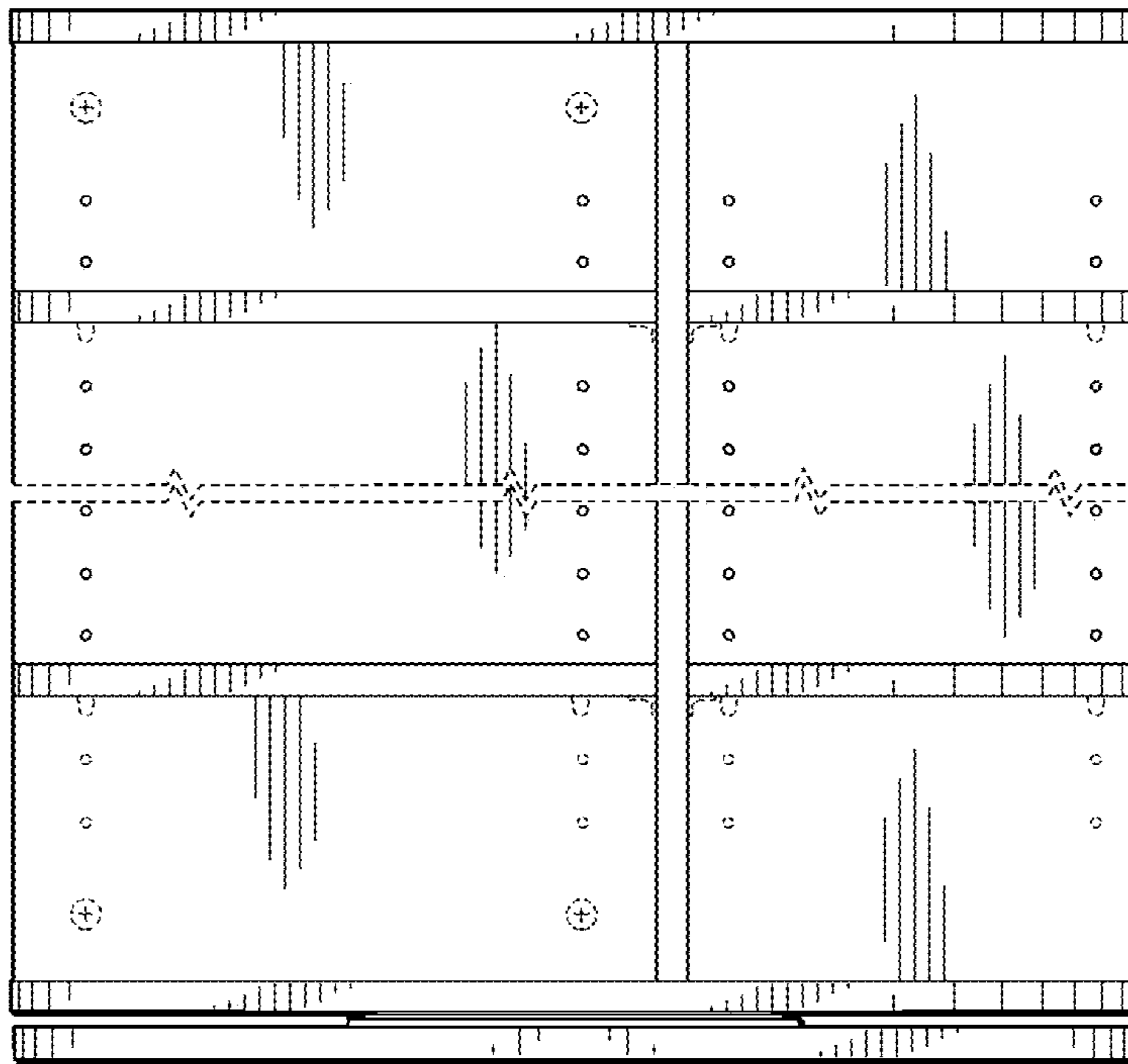
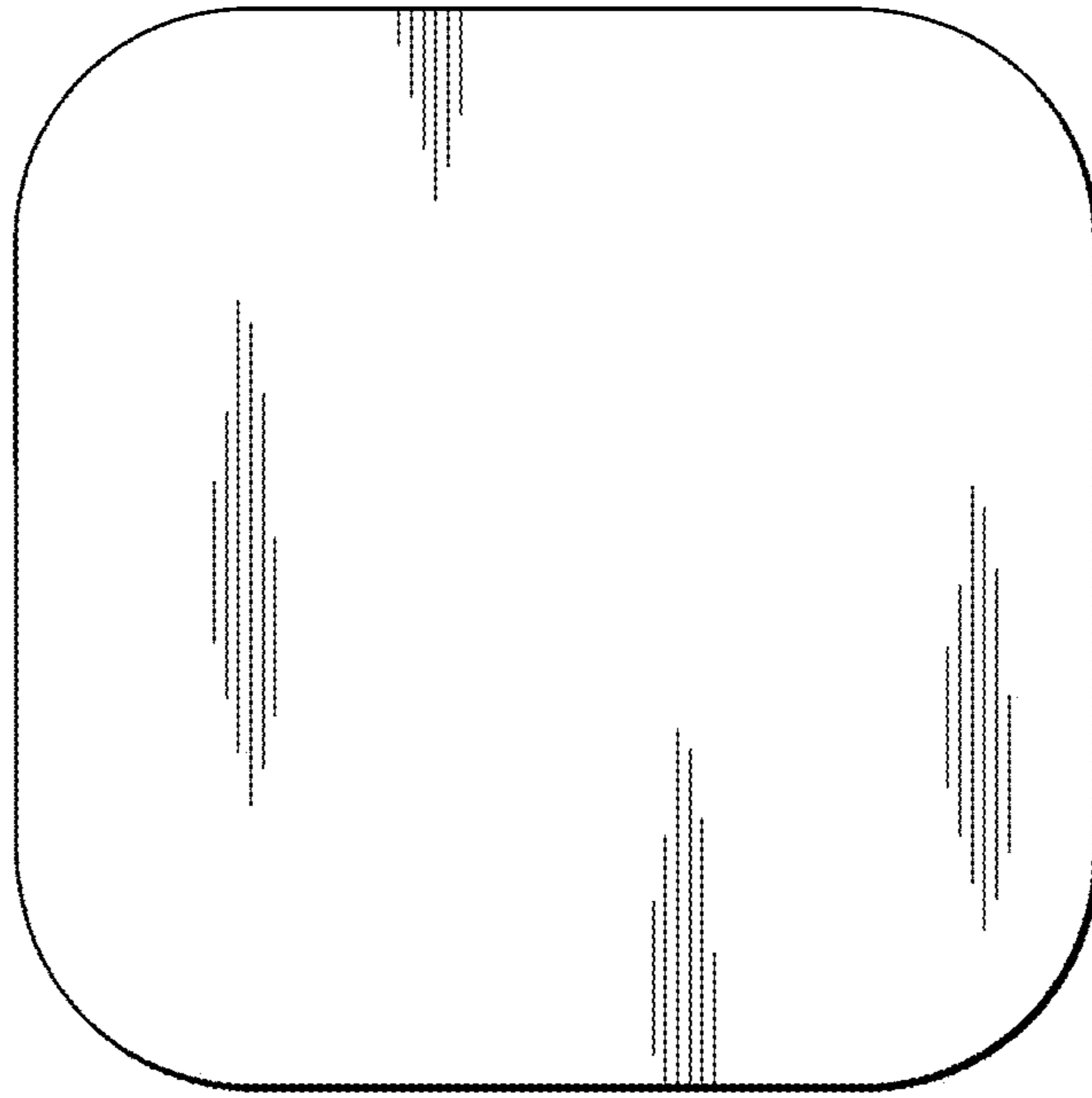
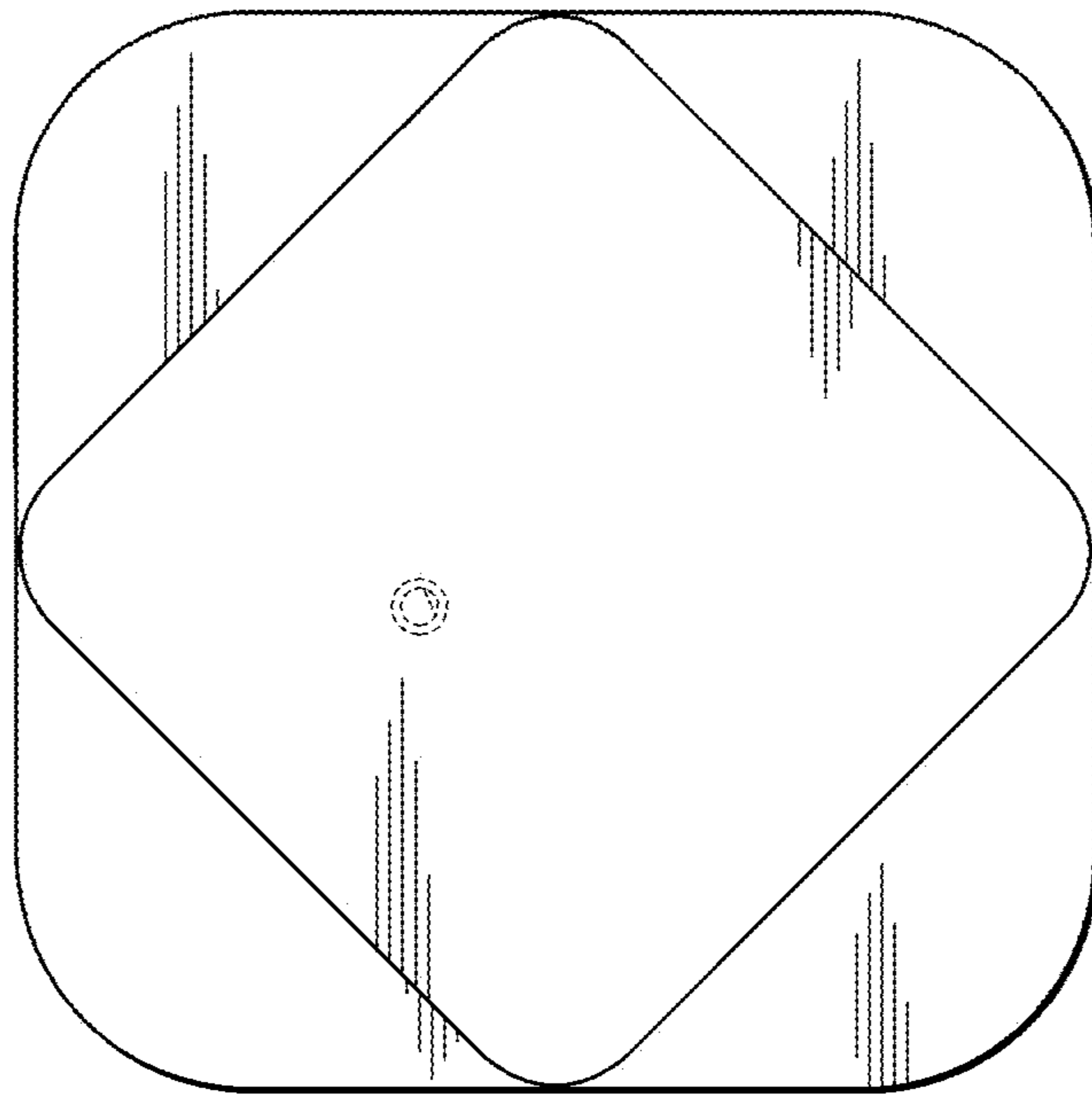


FIG. 14



**FIG. 15**



**FIG. 16**