



US00D982915S

(12) **United States Design Patent**
Xiao

(10) **Patent No.:** **US D982,915 S**

(45) **Date of Patent:** **** Apr. 11, 2023**

(54) **BENCH CHAIR**

(71) Applicant: **TAIZHOU SUKK TECHNOLOGY CO., LTD.**, Taizhou (CN)

(72) Inventor: **Shuangshuang Xiao**, Taizhou (CN)

(**) Term: **15 Years**

(21) Appl. No.: **29/847,981**

(22) Filed: **Jul. 29, 2022**

(51) **LOC (14) Cl.** **06-01**

(52) **U.S. Cl.**
USPC **D6/336**

(58) **Field of Classification Search**
USPC D6/334, 348, 349, 355, 364, 375, 376,
D6/381, 650, 685, 688.16, 688.2, 691,
D6/691.1, 691.2, 691.3, 691.4, 369, 370,
D6/336, 379
CPC A47C 1/143; A47C 7/028; A47C 7/002;
A47C 7/02; A47C 11/00; A47C 5/02;
A47C 5/04; A47C 5/12; A47C 5/14;
A47C 11/005; A47C 11/02; A47C 13/00;
A47C 16/00
See application file for complete search history.

(56) **References Cited**

U.S. PATENT DOCUMENTS

355,760	A *	1/1887	Farrell	A47C 13/00 5/17
986,686	A *	3/1911	Carney	A47B 85/04 297/188.1
2,682,915	A *	7/1954	Forti	A47C 17/02 297/188.1
D245,213	S *	8/1977	Hade	D6/370
D259,599	S *	6/1981	Credicott	D6/369
D403,875	S *	1/1999	Grosfillex	D6/369
D427,788	S *	7/2000	Paul	D6/336
6,644,750	B1 *	11/2003	Sandman	A47C 11/00 297/230.1

(Continued)

OTHER PUBLICATIONS

“Keter Hudson 60 Gallon Plastic Resin Weather Resistant Outdoor Backyard Patio Storage Bench Deck Box, Grey” Jun. 12, 2019, amazon.com, site visited Dec. 14, 2022 <<https://www.amazon.com/Keter-Hudson-Plastic-Storage-Bench/dp/B07T26YGCQ>> (Year: 2019).*

(Continued)

Primary Examiner — Kevin K Rudzinski

Assistant Examiner — Paul D Bohannon

(57) **CLAIM**

The ornamental design for a bench chair, as shown and described.

DESCRIPTION

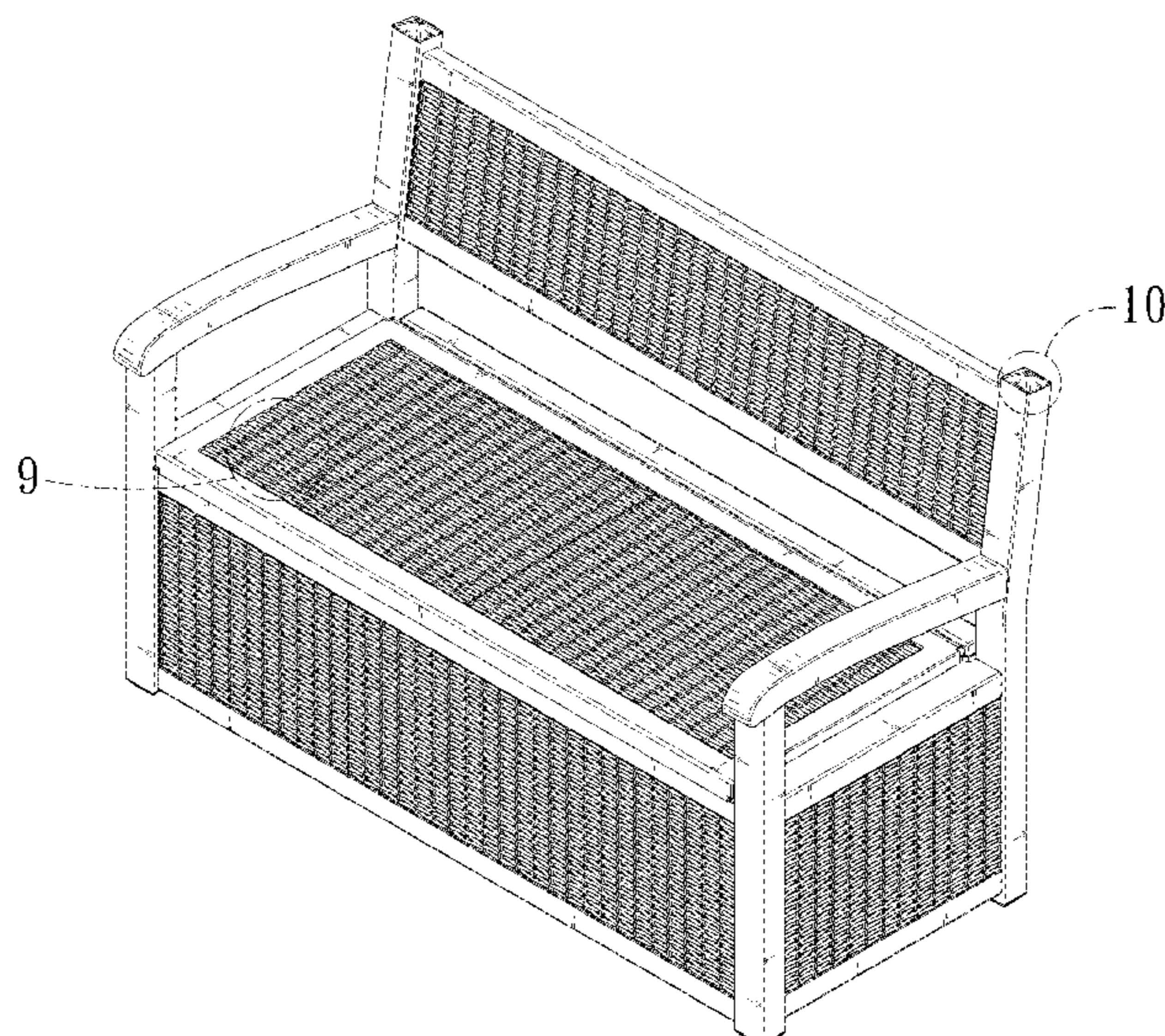
FIG. 1 is a front, right, and top perspective view of a bench chair, showing my new design;
FIG. 2 is a rear, right, and bottom elevation view thereof;
FIG. 3 is a front elevation view thereof;
FIG. 4 is a rear view thereof;
FIG. 5 is a left side elevation view thereof;
FIG. 6 is a right side elevation view thereof;
FIG. 7 is a top plan view thereof;
FIG. 8 is a bottom plan view thereof;
FIG. 9 is an enlarged view of an encircled area labeled “9” in FIG. 1; and,
FIG. 10 is an enlarged view of an encircled area labeled “10” in FIG. 1.

The broken lines shown in the drawings are included for the purpose of illustrating portions of the bench chair that form no part of the claimed design.

Dot-dash broken lines in FIGS. 1 and 9 framing portions of the claimed design that are illustrated for enlargements form no part of the claimed design.

Dot-dash broken lines in FIGS. 1 and 10 framing portions of the claimed design that are illustrated for enlargements form no part of the claimed design.

1 Claim, 10 Drawing Sheets



(56)

References Cited

U.S. PATENT DOCUMENTS

D535,114 S * 1/2007 Goldstein D6/381
 D597,336 S * 8/2009 Anderson D6/381
 D717,557 S * 11/2014 Bougay D6/370
 D717,558 S * 11/2014 Bougay D6/370
 D722,775 S * 2/2015 Thuma D6/336
 D723,815 S * 3/2015 Thuma D6/336
 D723,816 S * 3/2015 Thuma D6/336
 D724,328 S * 3/2015 Thuma D6/336
 D730,068 S 5/2015 Thuma et al.
 D759,986 S * 6/2016 Bougay D6/370
 D769,014 S * 10/2016 Bougay D6/370
 D769,638 S * 10/2016 Bougay D6/370
 D848,173 S * 5/2019 Shemer D6/370
 10,638,848 B1 * 5/2020 Wesley A47C 11/00
 D889,872 S 7/2020 Zhao et al.
 D914,378 S 3/2021 Simonetti
 D920,688 S 6/2021 Kilburn

D938,748 S * 12/2021 Xiao D6/369
 D938,749 S 12/2021 Fairbanks
 D938,750 S 12/2021 Asner
 D953,764 S * 6/2022 Xiao D6/370
 D958,553 S * 7/2022 Xiao D6/370
 D964,074 S * 9/2022 Xiao D6/667
 11,439,242 B1 * 9/2022 Norton A47C 7/624
 2008/0157571 A1 * 7/2008 Richardson A47C 7/62
 297/188.1
 2019/0239650 A1 * 8/2019 Nelson E05B 65/5284
 2020/0121087 A1 * 4/2020 Kilburn A47C 11/00

OTHER PUBLICATIONS

“Cozy Castle Outdoor Storage Bench . . . ” Feb. 24, 2021, amazon.com, site visited Dec. 14, 2022 <<https://www.amazon.com/Cozy-Castle-Outdoor-Container-Capacity/dp/B08XBKFJPR>> (Year: 2021).*

* cited by examiner

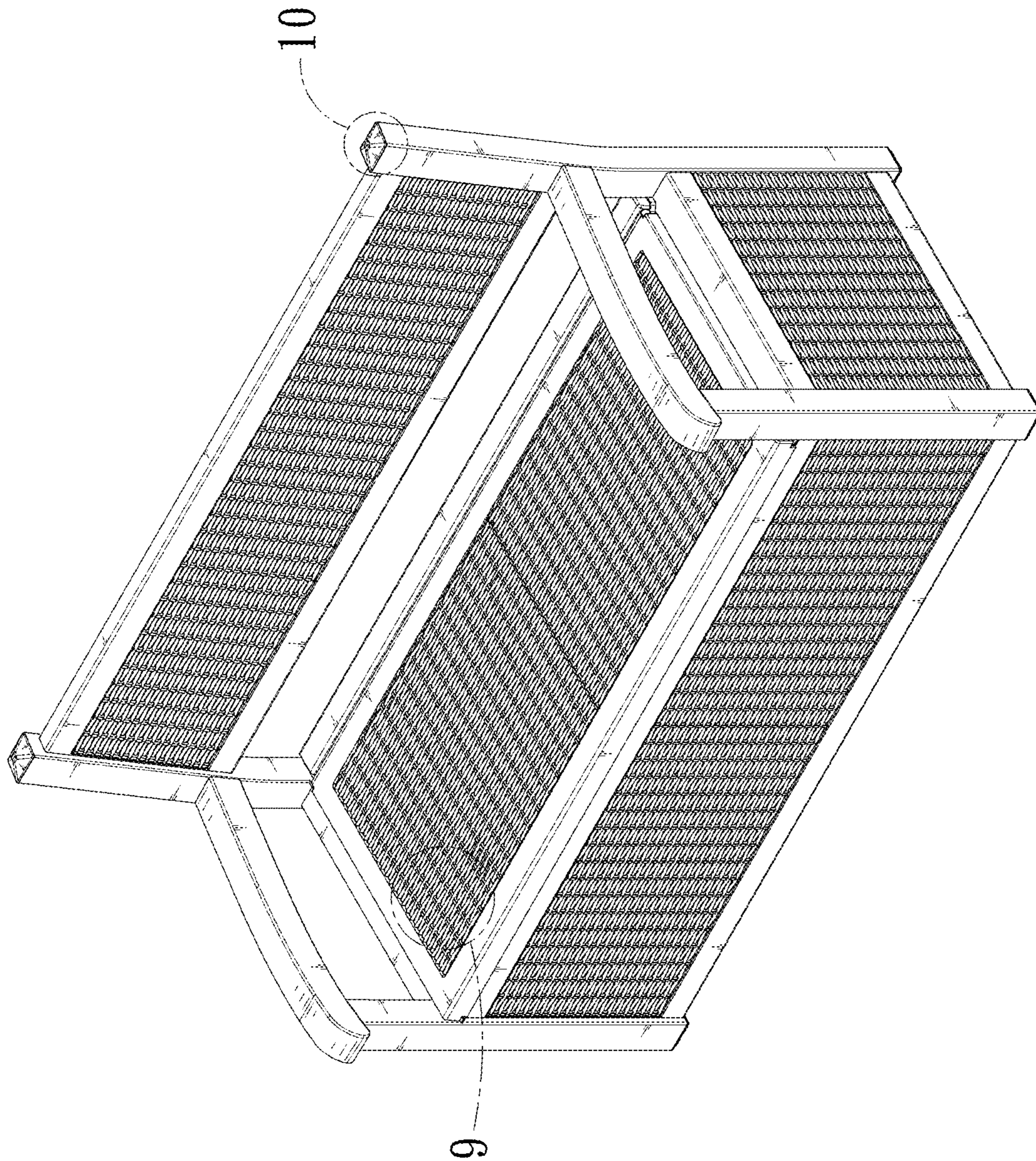


FIG. 1

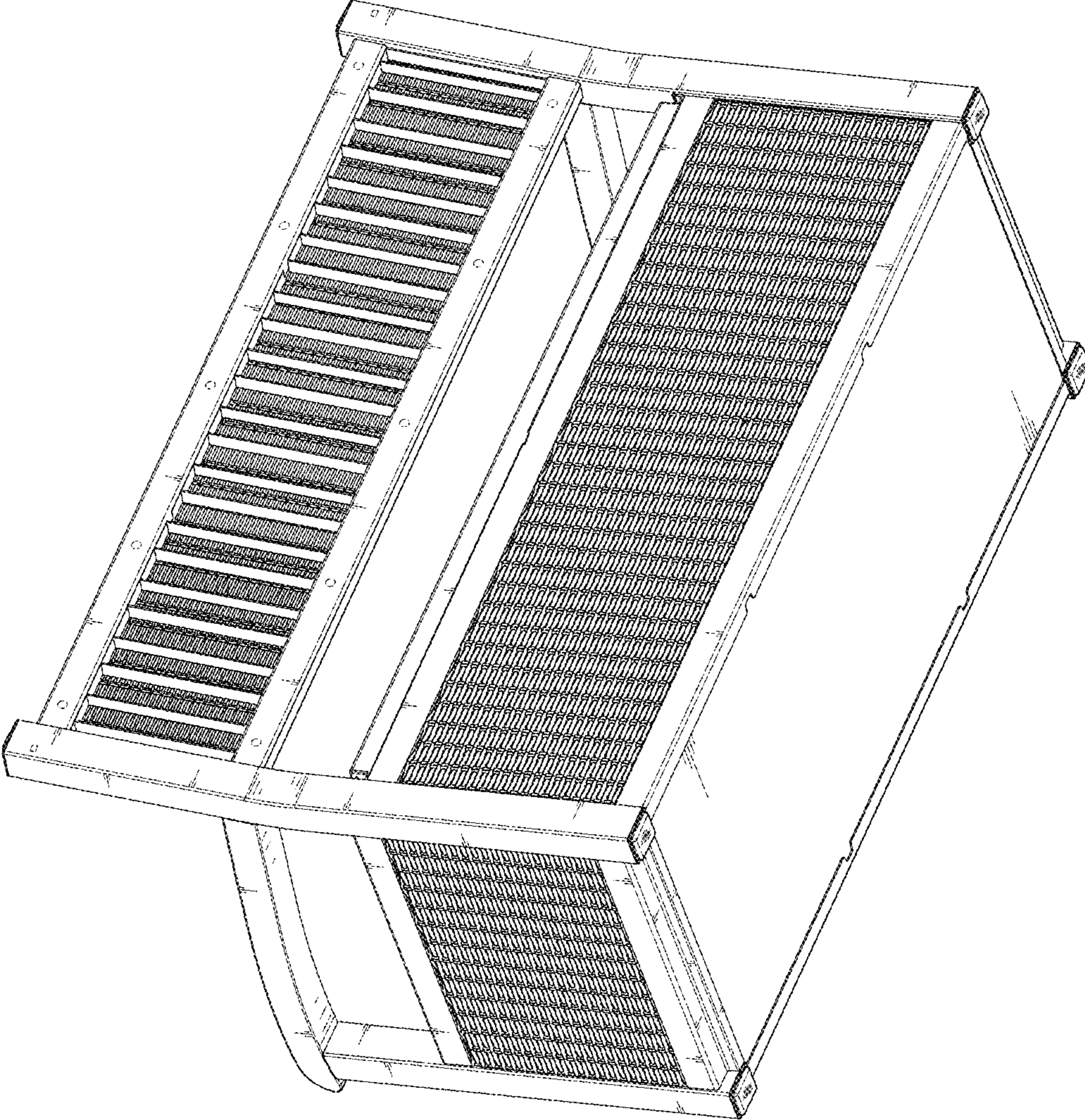


FIG. 2

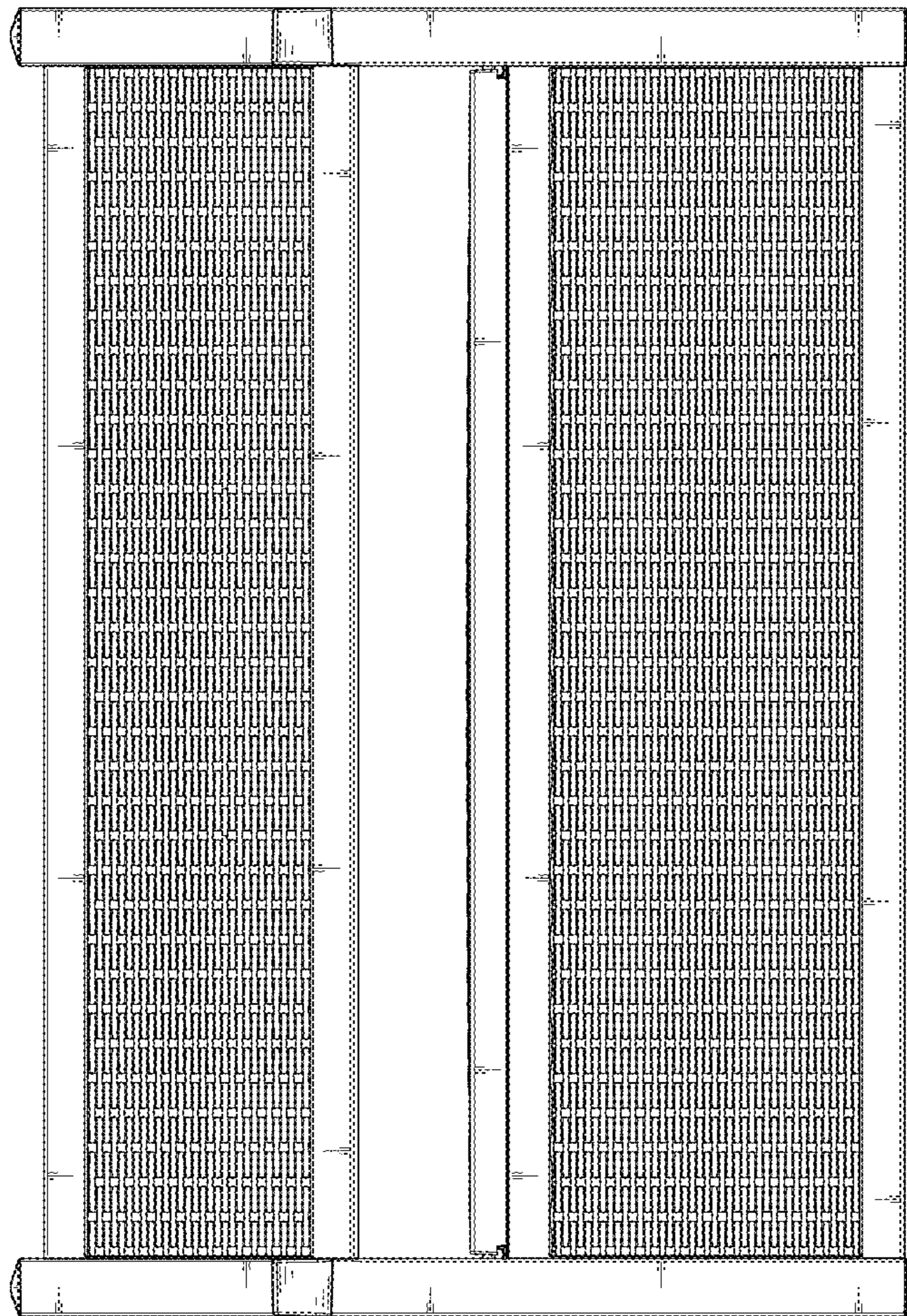


FIG. 3

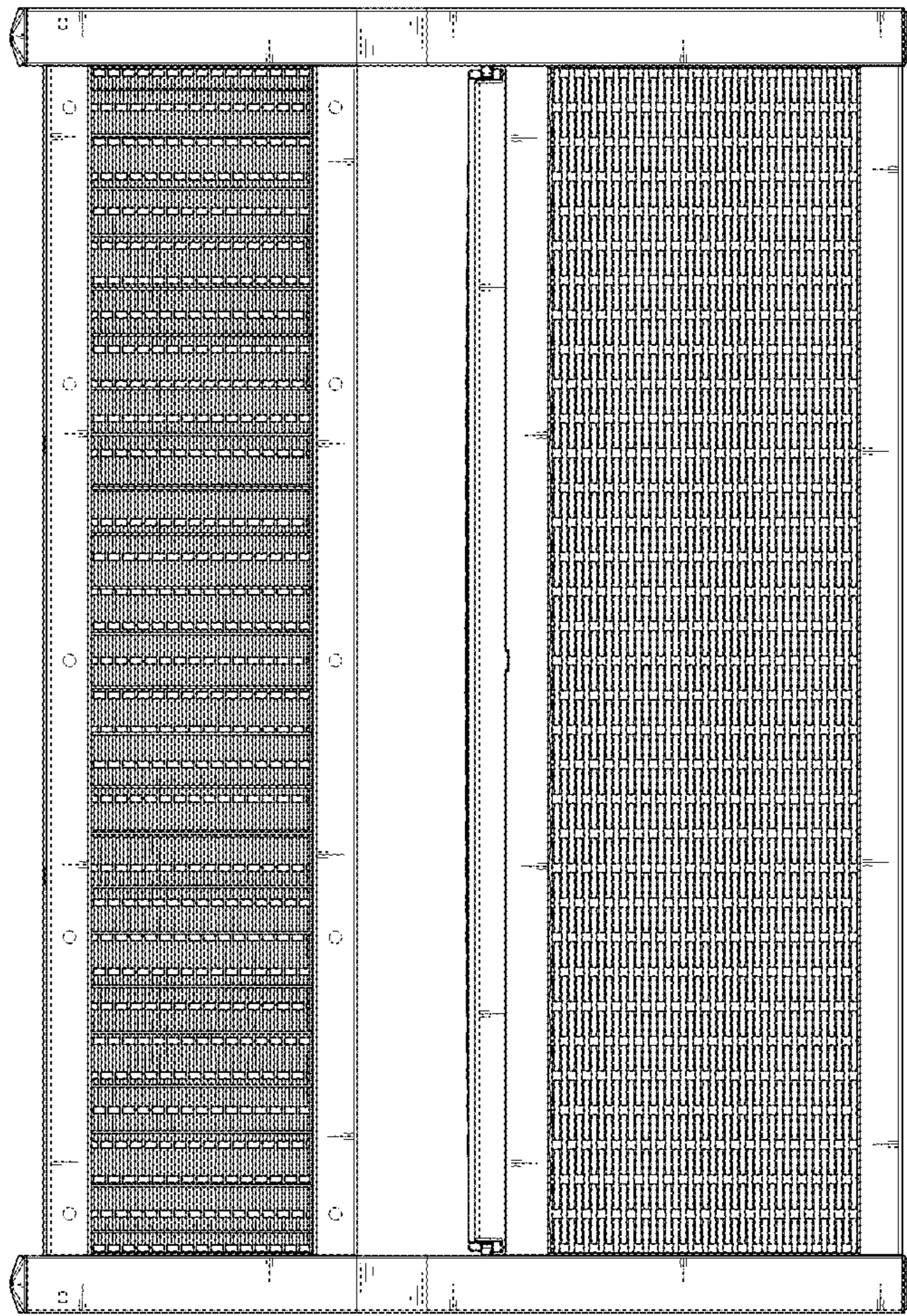


FIG. 4

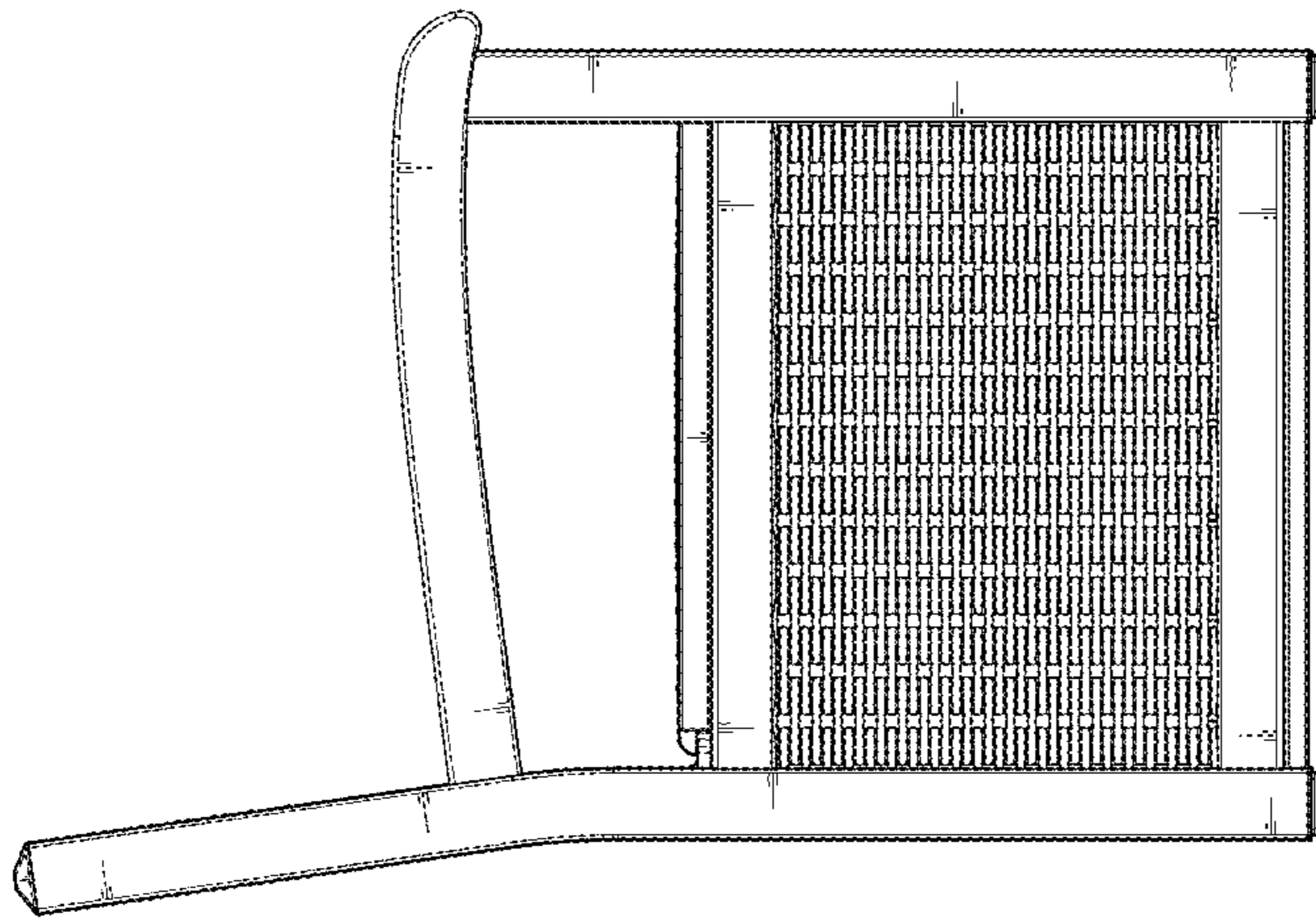


FIG. 5

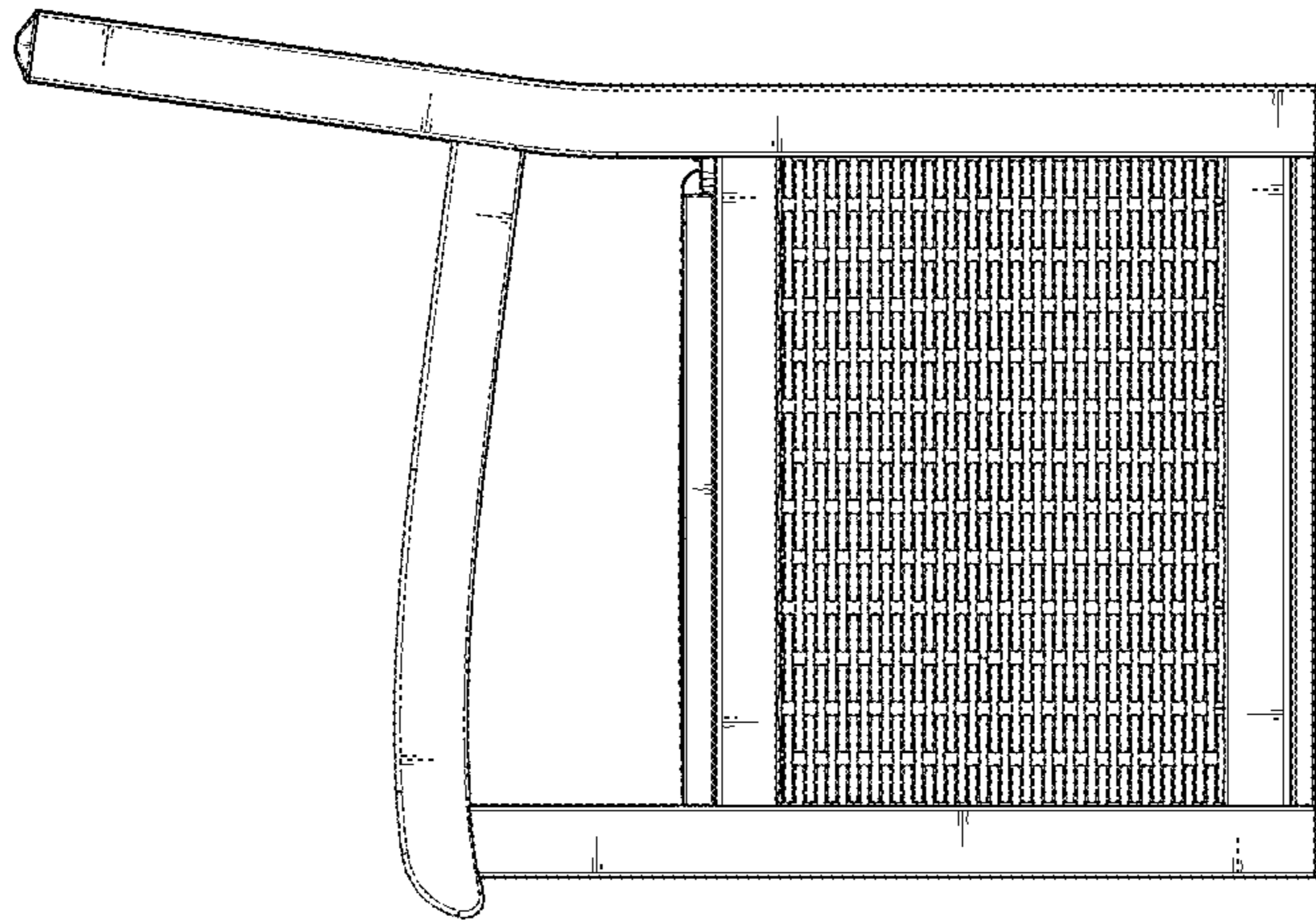


FIG. 6

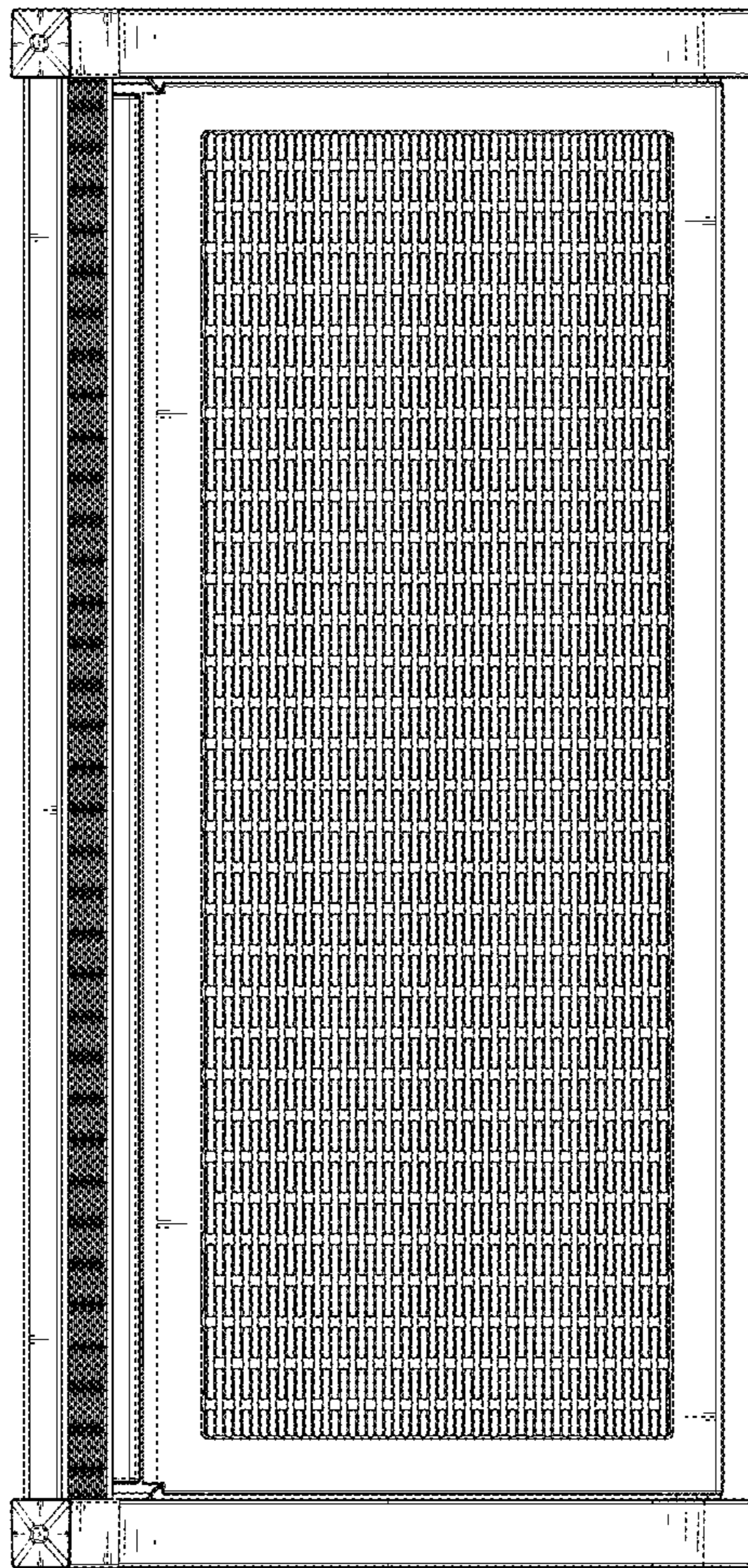


FIG. 7

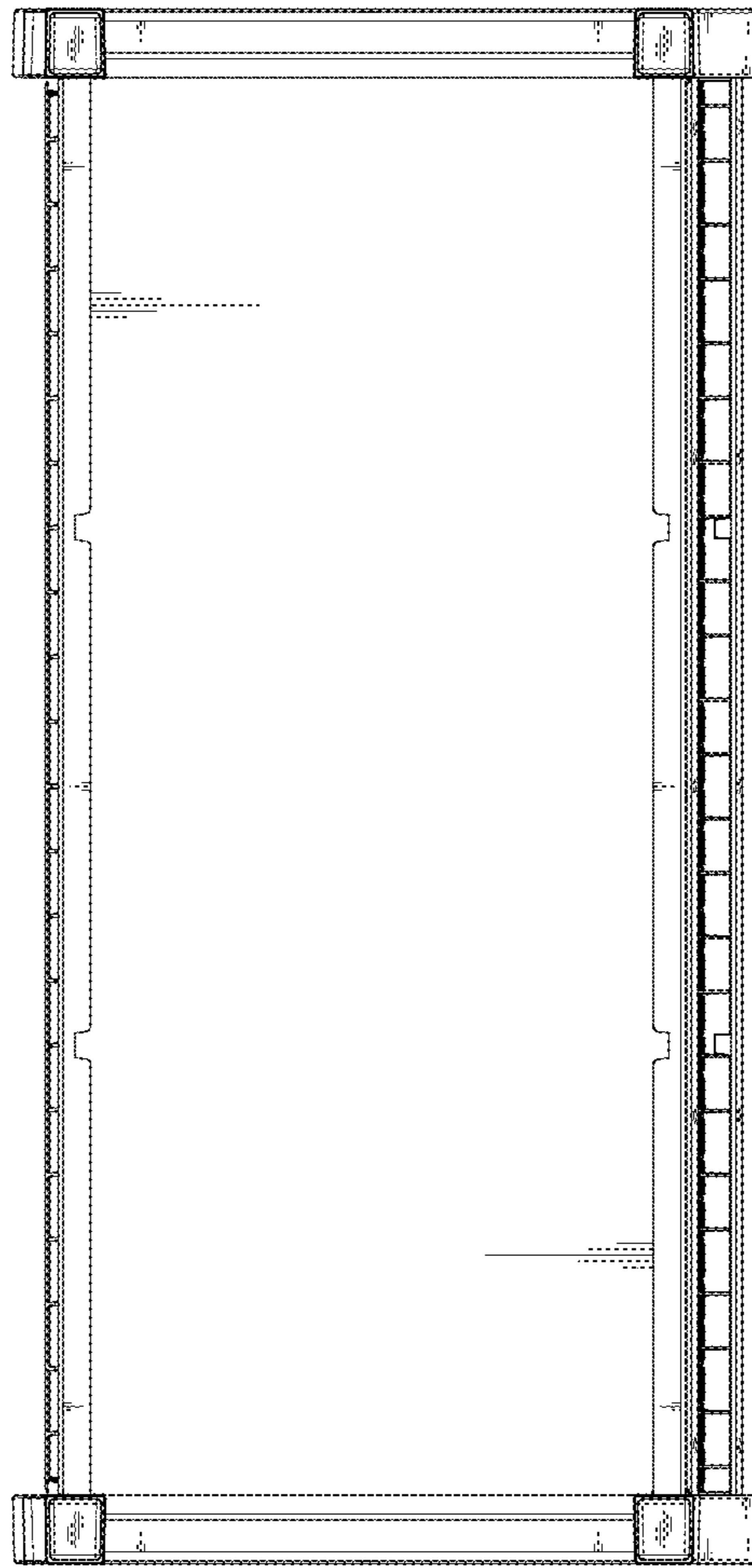


FIG. 8

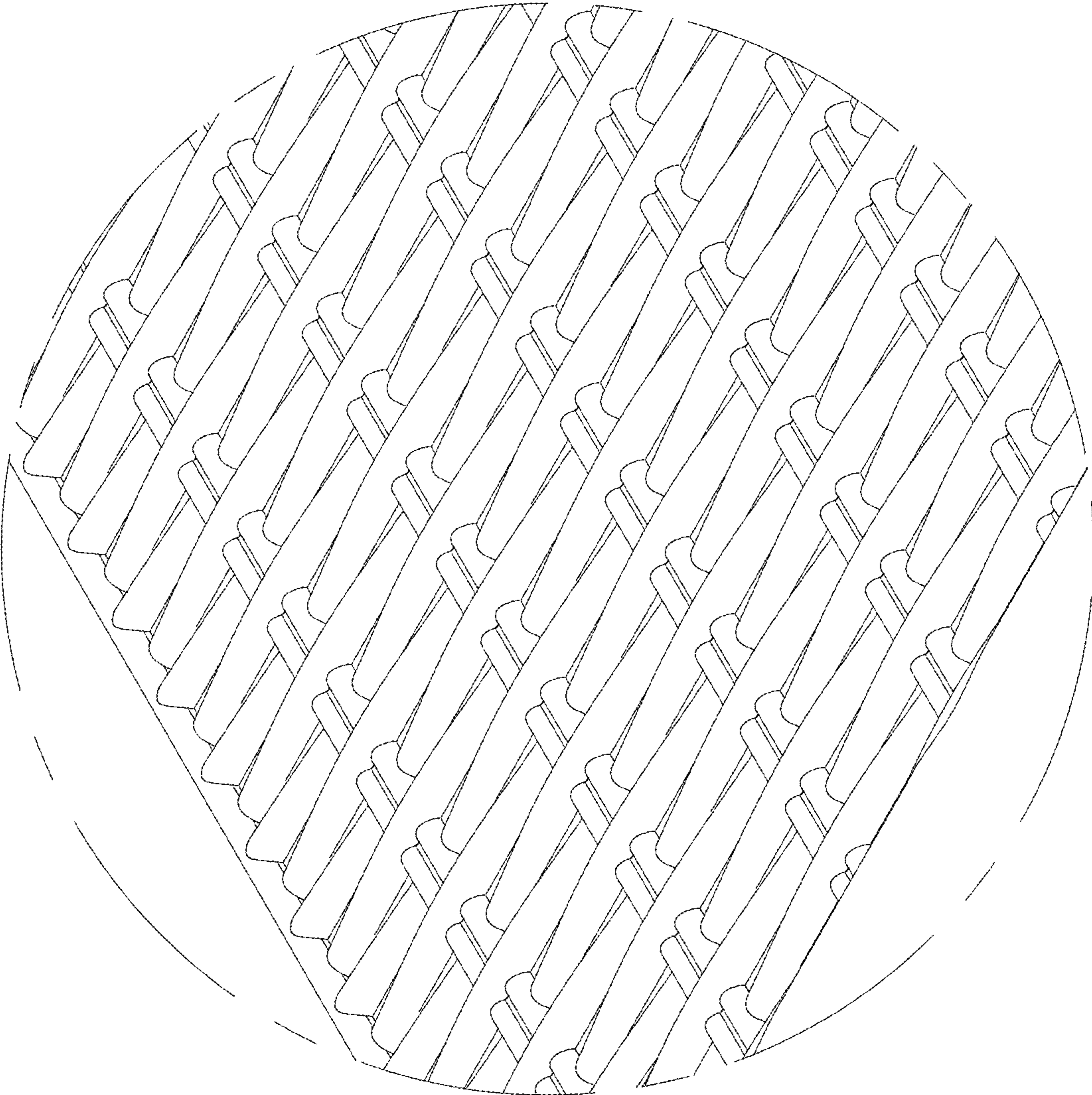


FIG. 9

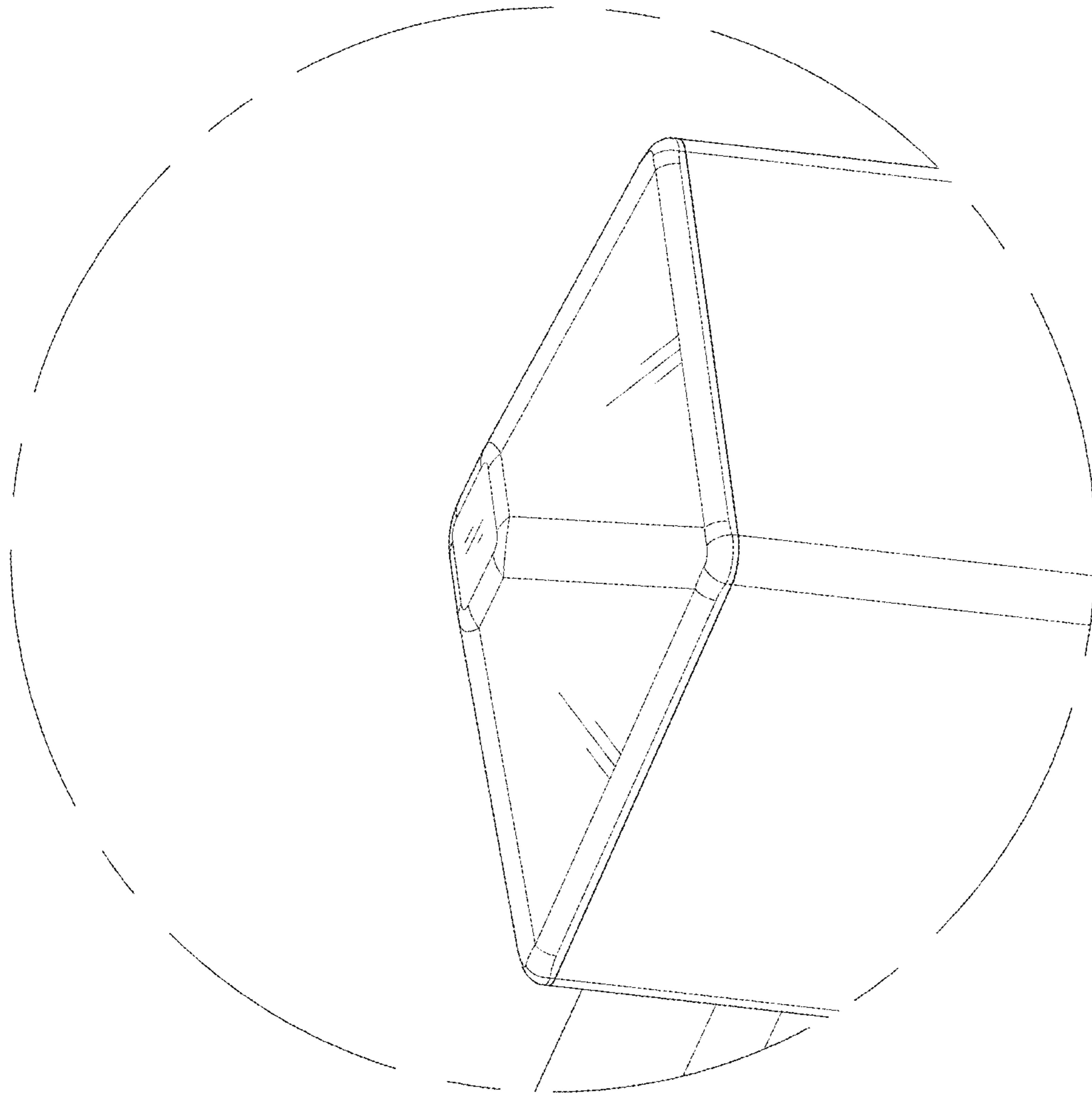


FIG. 10