



US00D982913S

(12) **United States Design Patent**
Kaiser et al.

(10) **Patent No.:** **US D982,913 S**
(45) **Date of Patent:** **** Apr. 11, 2023**

(54) **PORTABLE MIRROR**

(71) Applicant: **Erik A. Kaiser**, New York, NY (US)

(72) Inventors: **Erik A. Kaiser**, New York, NY (US);
Joshua David Kran, Endwell, NY (US)

(73) Assignee: **Erik A. Kaiser**, New York, NY (US)

(**) Term: **15 Years**

(21) Appl. No.: **29/779,720**

(22) Filed: **Apr. 20, 2021**

(51) **LOC (14) Cl.** **06-07**

(52) **U.S. Cl.**
USPC **D6/310**

(58) **Field of Classification Search**
USPC D6/300-314; D14/345
CPC .. A47G 1/00; A47G 2001/002; F21V 33/004;
A45D 42/10

See application file for complete search history.

(56) **References Cited**

U.S. PATENT DOCUMENTS

D552,358 S *	10/2007	Mischel, Jr.	D6/300
D639,296 S *	6/2011	Tseng	D14/345
D743,704 S	11/2015	Kaiser		
D749,329 S	2/2016	Kaiser		
D762,615 S *	8/2016	Kim	D14/203.4
9,648,217 B2	5/2017	Kaiser		
D823,854 S *	7/2018	Enqvist	D14/440
D829,007 S *	9/2018	Choi	D6/310
D834,751 S	11/2018	Kaiser		
D835,348 S	12/2018	Kaiser		
D837,195 S *	1/2019	Kaiser	D14/250
D846,805 S	4/2019	Kaiser		

D880,070 S *	3/2020	Kaiser	D28/83
D891,426 S *	7/2020	Nguyen	D14/345
D925,238 S *	7/2021	Yang	D6/312
D925,239 S *	7/2021	Cai	D6/312
D934,240 S *	10/2021	Holt	D14/345
D934,576 S *	11/2021	Liu	D6/300
D934,826 S *	11/2021	Wang	D14/126
D935,202 S *	11/2021	Yang	D6/310
D939,123 S *	12/2021	Li	D26/37
D959,156 S *	8/2022	Xu	D6/300
D959,857 S *	8/2022	Meng	D6/312
D974,051 S *	1/2023	Liu	D6/310
2018/0368557 A1 *	12/2018	Kaiser	F21V 33/004
2019/0374007 A1 *	12/2019	Kaiser	A45D 42/10

* cited by examiner

Primary Examiner — Deanna L Pratt

(74) *Attorney, Agent, or Firm* — Steven N. Fox, Esq.

(57) **CLAIM**

The ornamental design for a portable mirror, as shown and described.

DESCRIPTION

FIG. 1 is a front perspective view of a portable mirror according to the present invention showing in an open position;

FIG. 2 is a front perspective view of the portable mirror in a closed position.

FIG. 3 is rear perspective view of the portable mirror in the open position.

FIG. 4 is a rear view thereof;

FIG. 5 is a front view thereof;

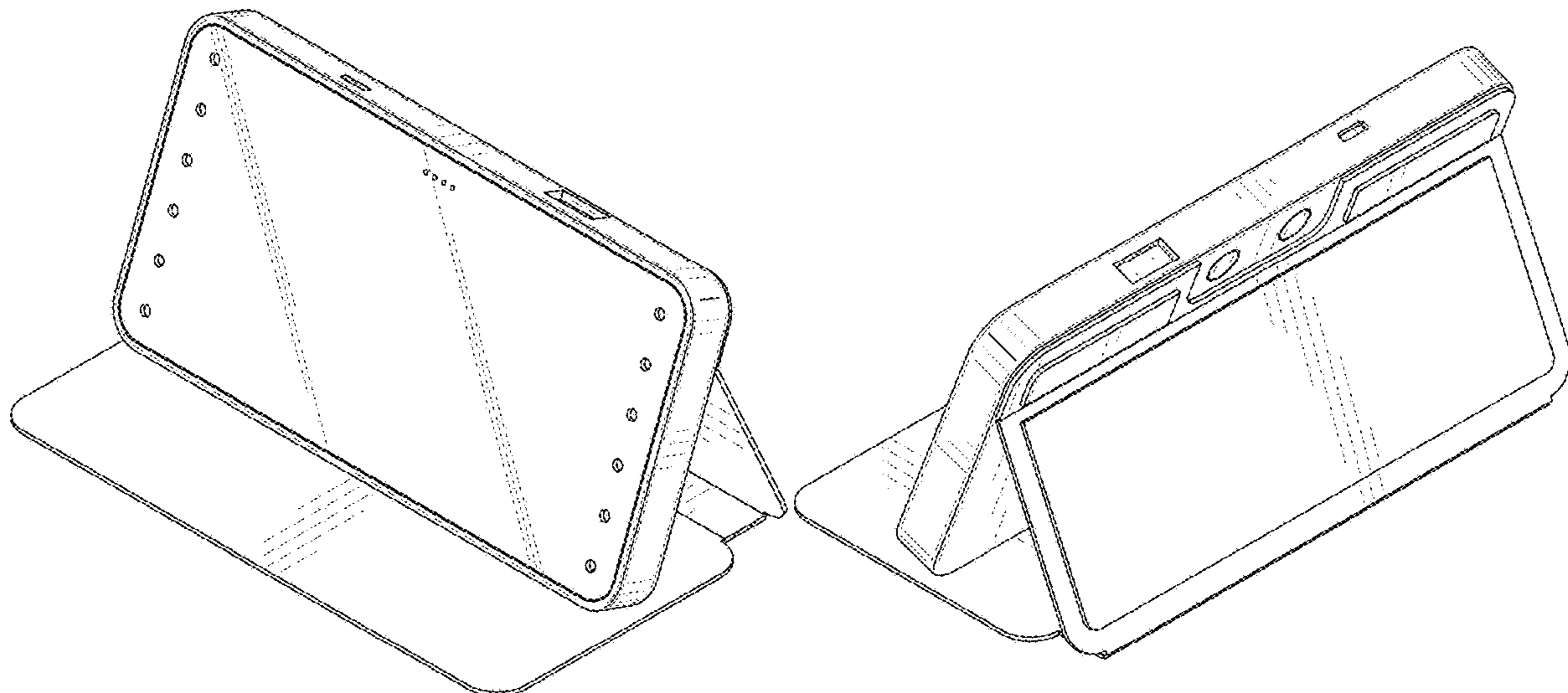
FIG. 6 is a top view thereof;

FIG. 7 is a bottom view thereof;

FIG. 8 is a right side view thereof; and,

FIG. 9 is a left side view thereof.

1 Claim, 6 Drawing Sheets



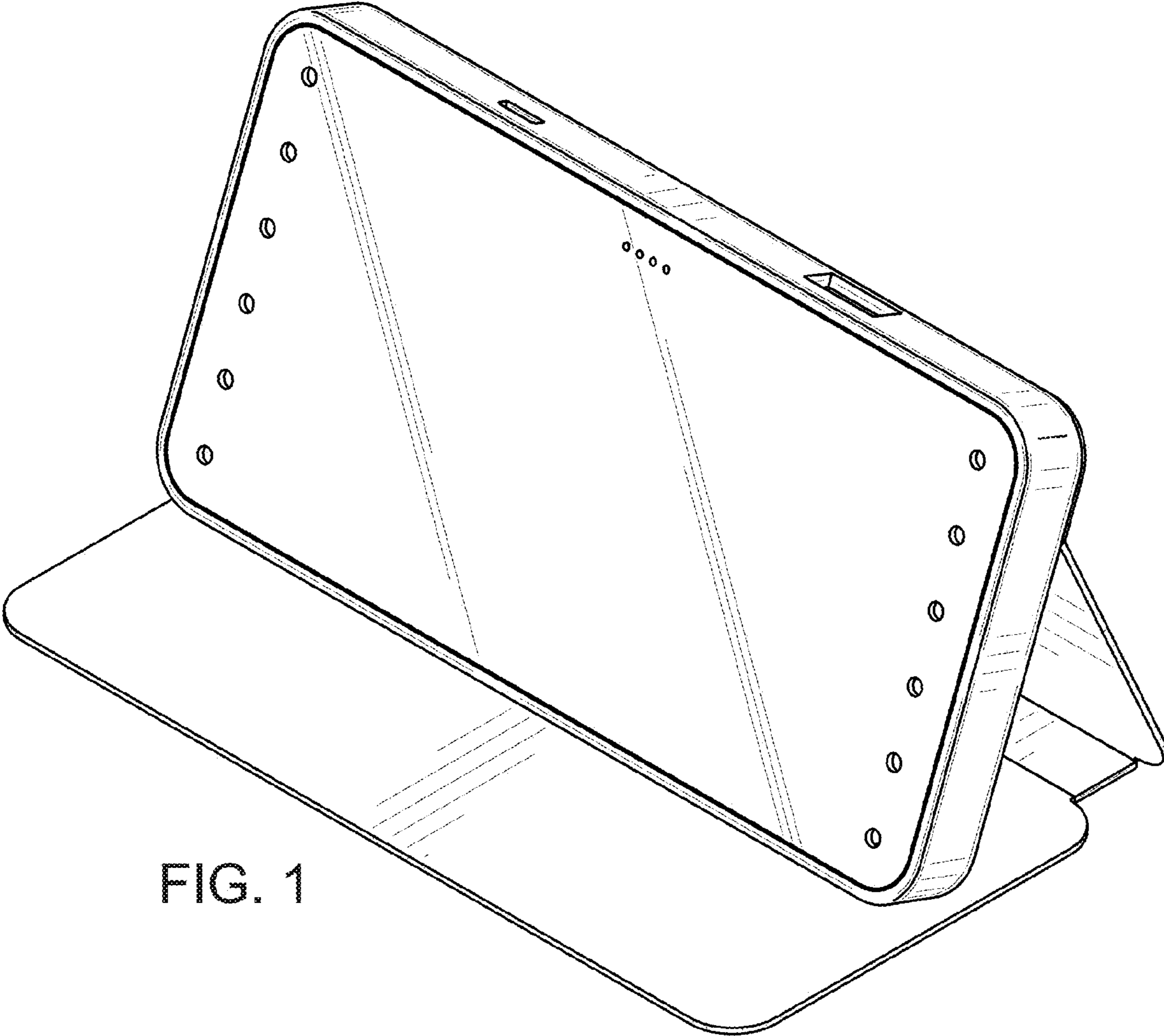


FIG. 1

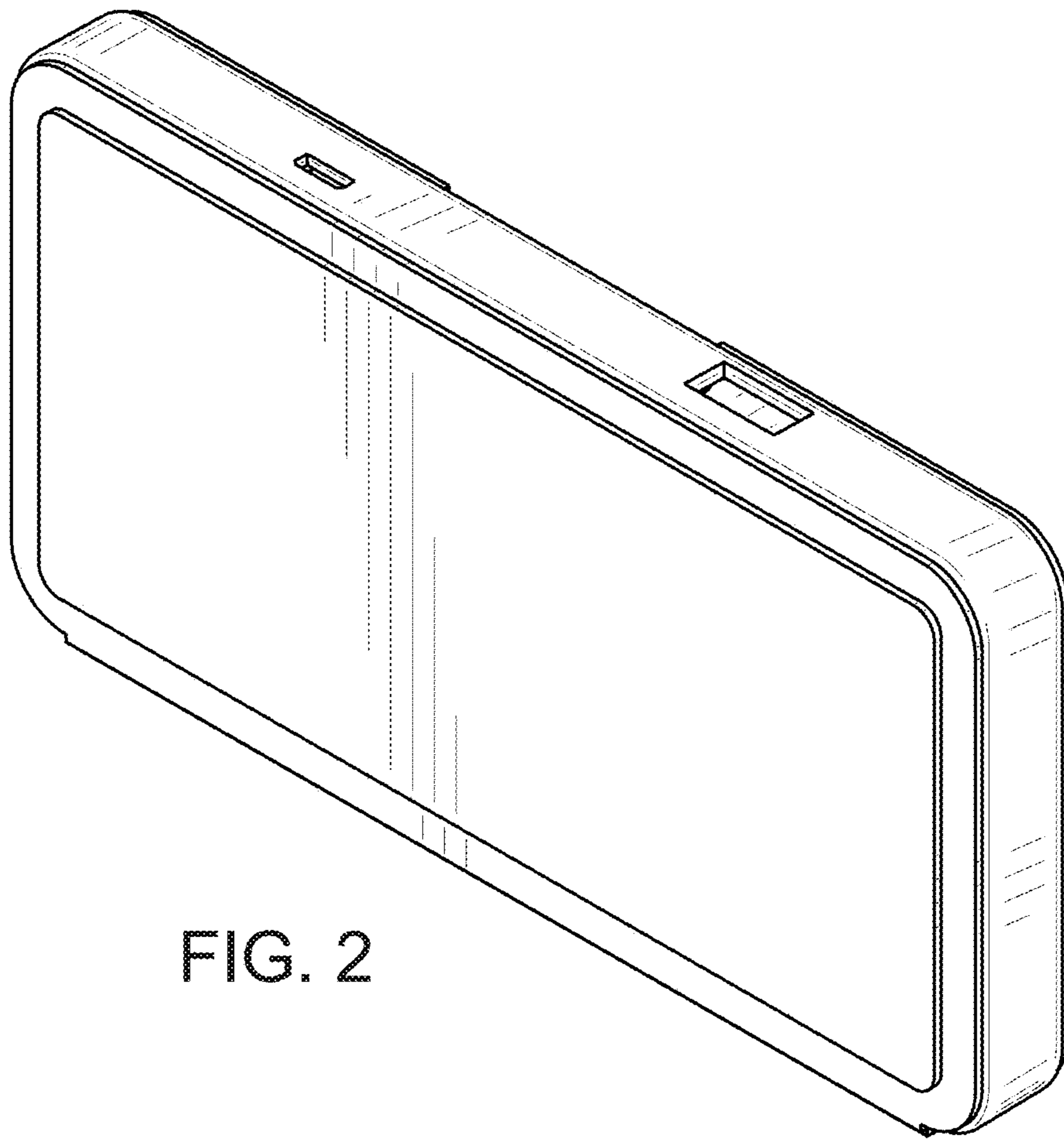


FIG. 2

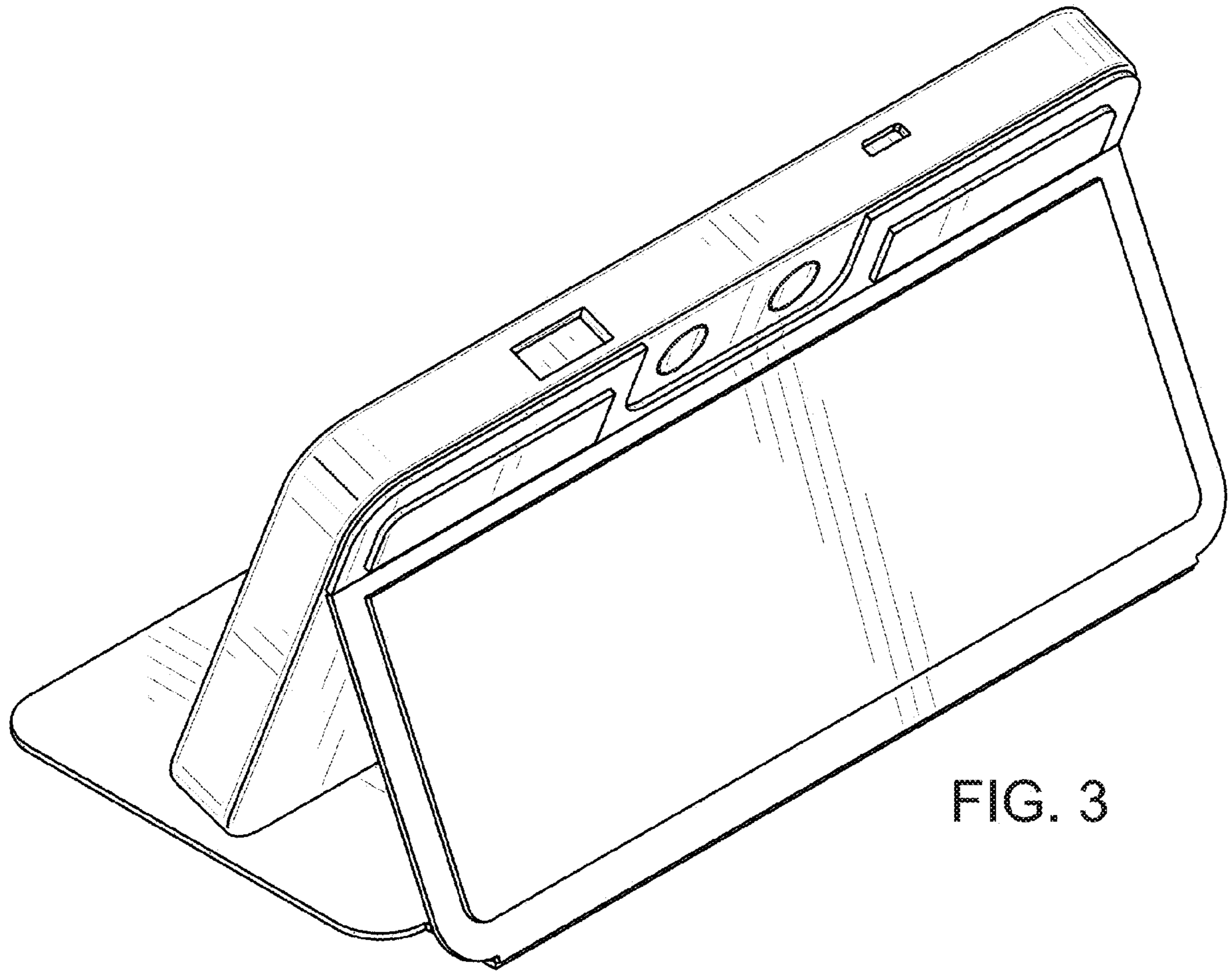


FIG. 3

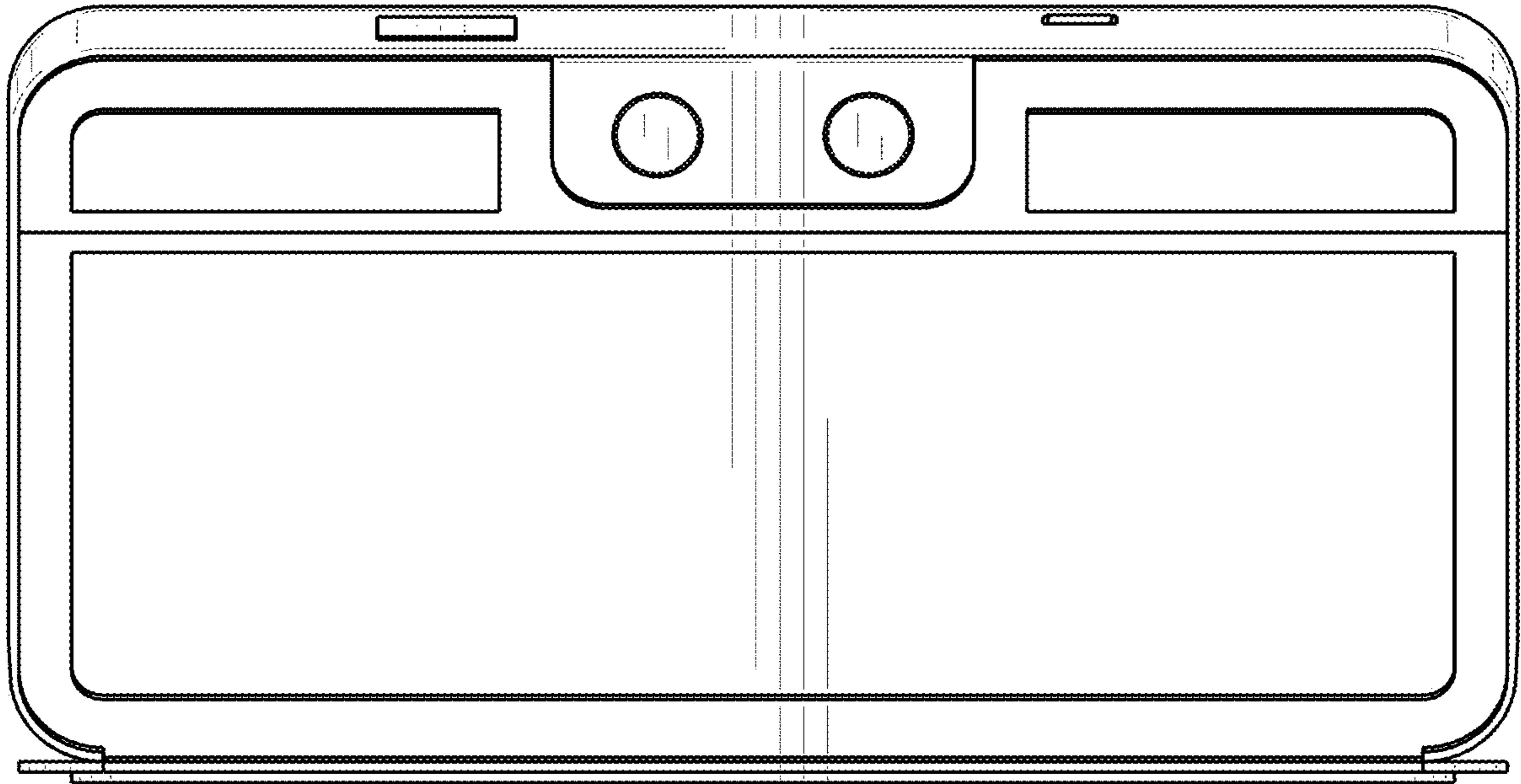


FIG. 4

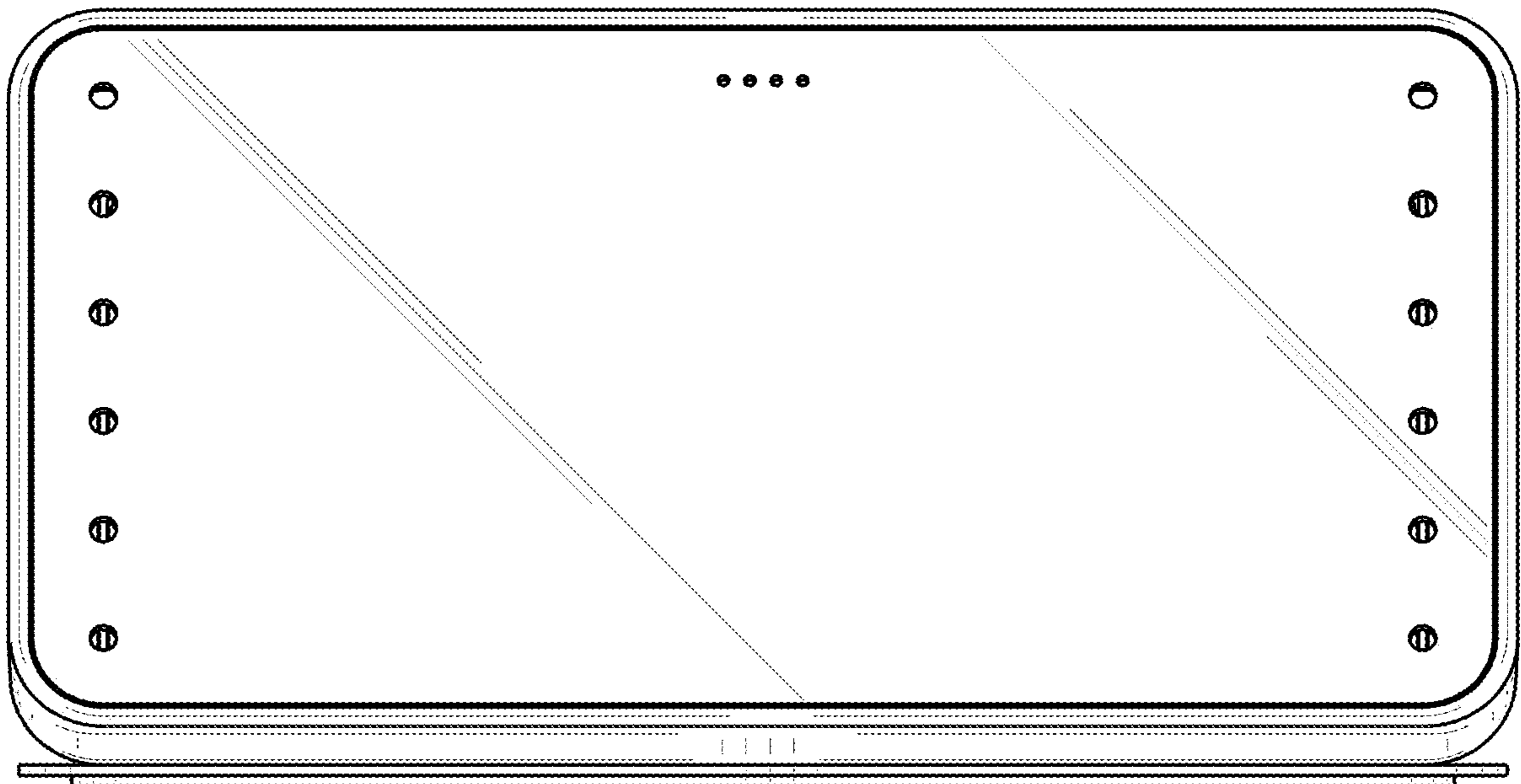


FIG. 5

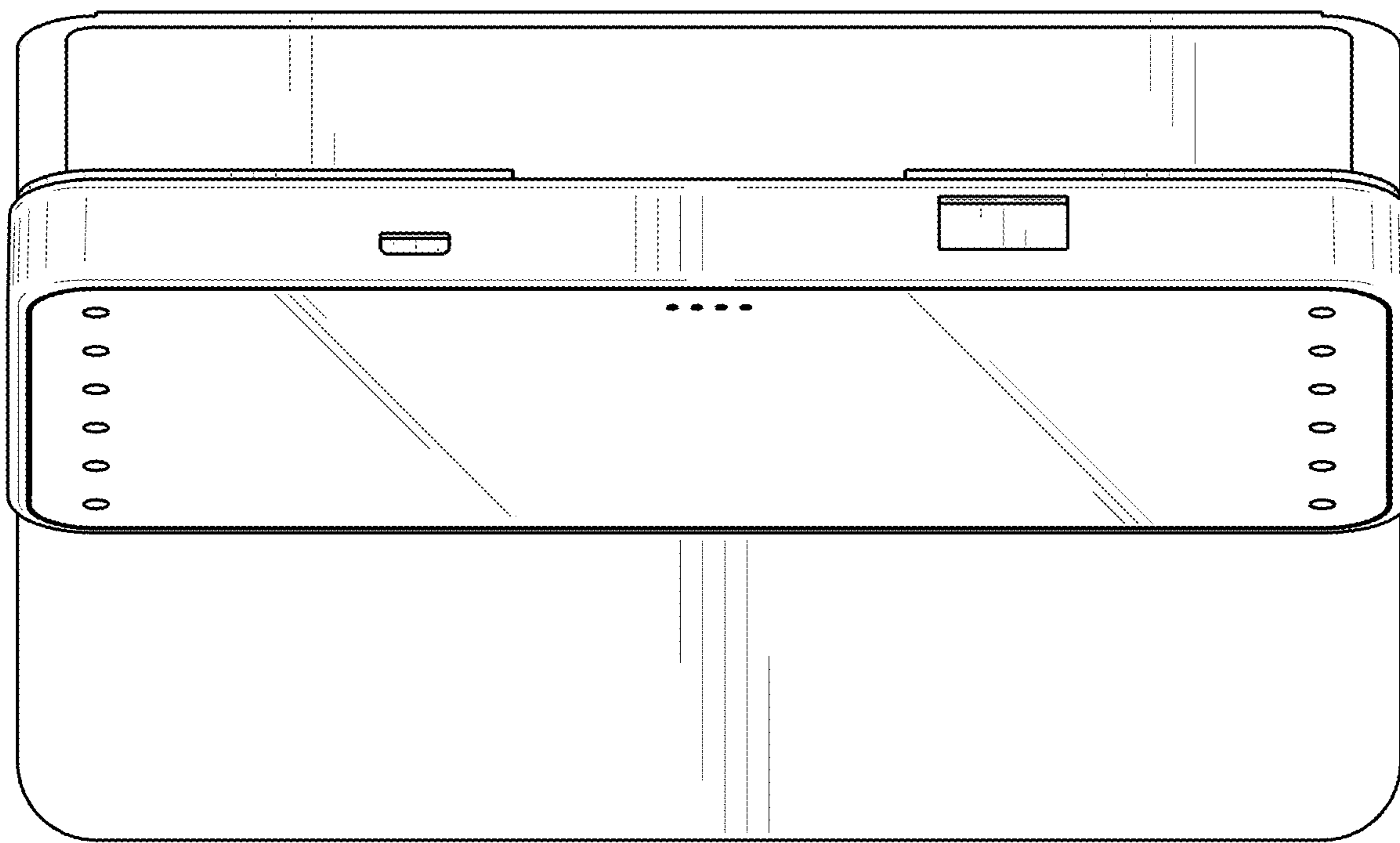


FIG. 6

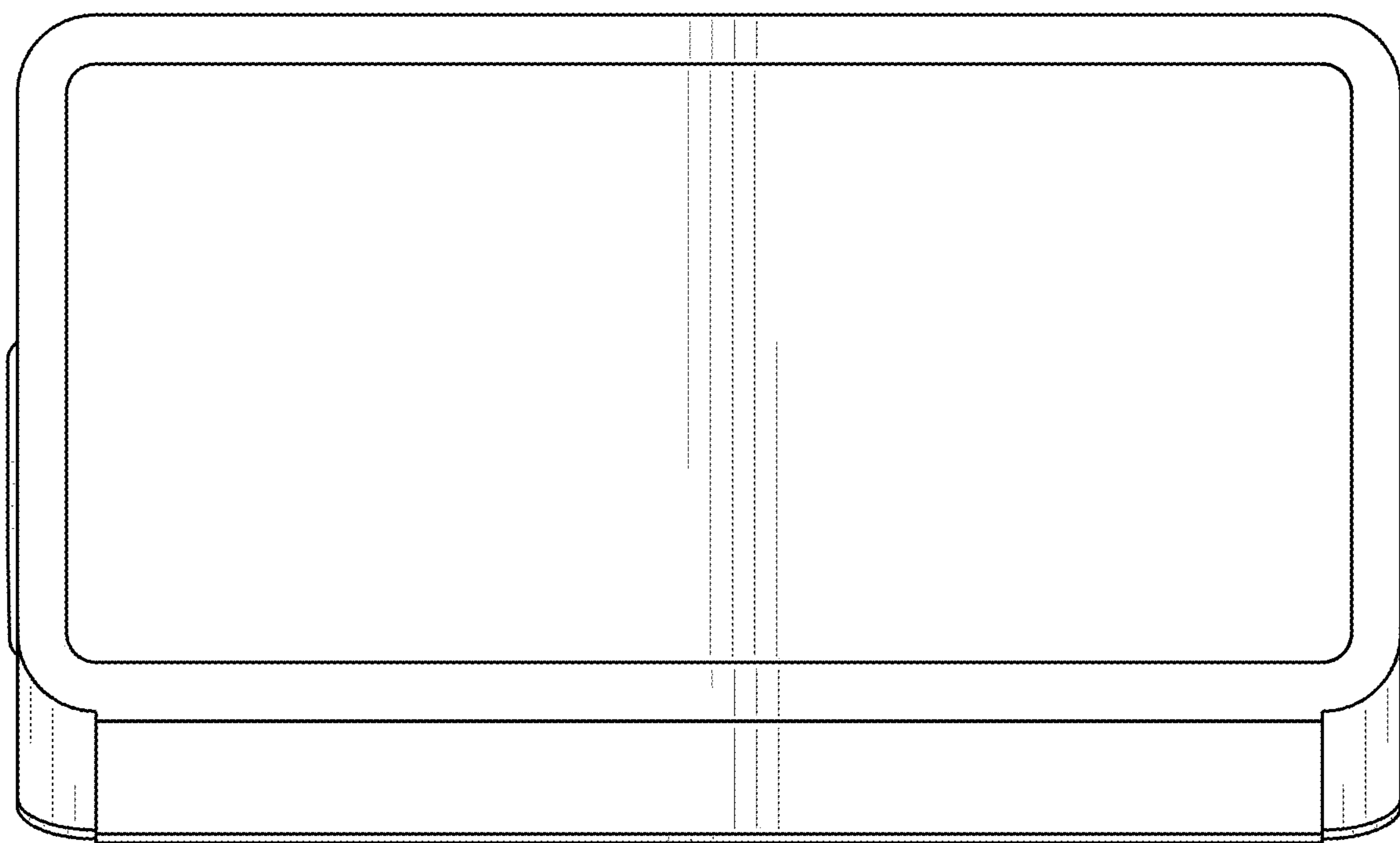


FIG. 7

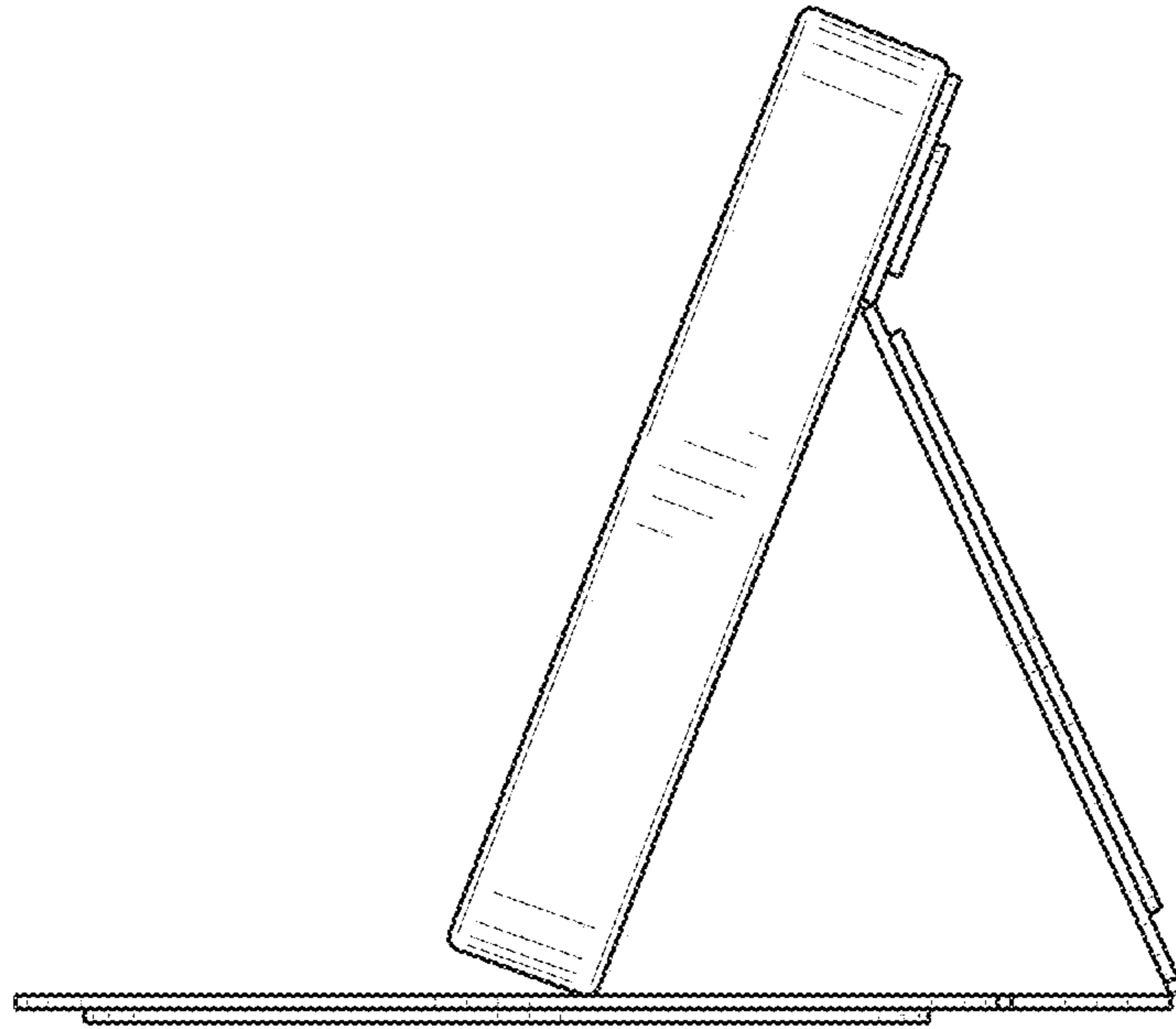


FIG. 8

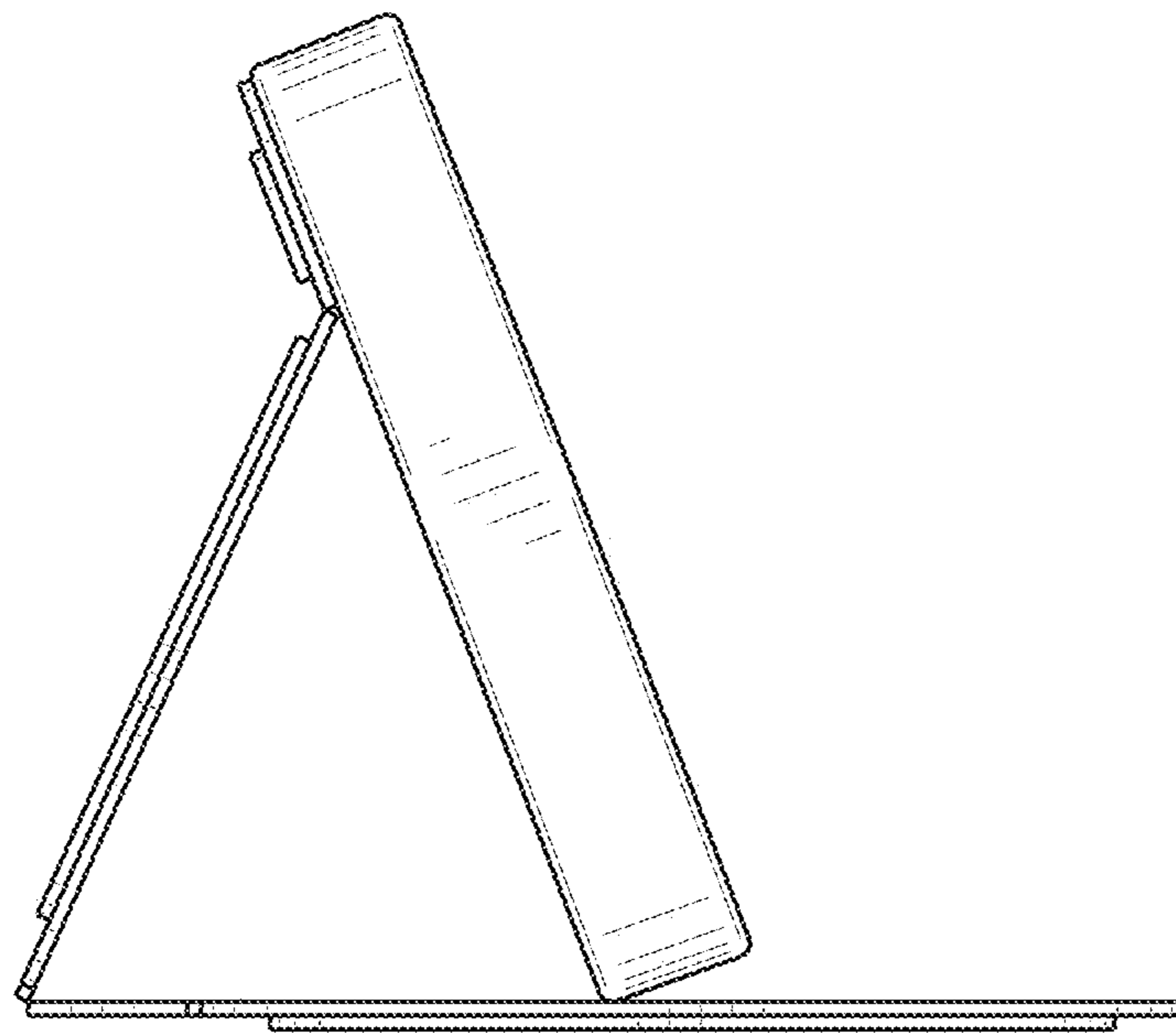


FIG. 9