



US00D982912S

(12) **United States Design Patent**
Kaiser et al.

(10) **Patent No.:** **US D982,912 S**
(45) **Date of Patent:** **** Apr. 11, 2023**

(54) **TABLE MIRROR**

(71) Applicant: **Erik A. Kaiser**, New York, NY (US)

(72) Inventors: **Erik A. Kaiser**, New York, NY (US);
Joshua David Kran, Endwell, NY (US)

(73) Assignee: **Erik A. Kaiser**, New York, NY (US)

(**) Term: **15 Years**

(21) Appl. No.: **29/778,094**

(22) Filed: **Apr. 10, 2021**

(51) **LOC (14) Cl.** **06-07**

(52) **U.S. Cl.**
USPC **D6/309**; D6/310

(58) **Field of Classification Search**
USPC D6/300-314
CPC .. A47G 1/00; A47G 2001/002; F21V 33/004;
A45D 42/10

See application file for complete search history.

(56) **References Cited**

U.S. PATENT DOCUMENTS

| | | | |
|--------------|---------|---------------------|---------|
| D317,531 S * | 6/1991 | Evans | D6/309 |
| D459,094 S * | 6/2002 | Stone | D6/309 |
| D462,181 S * | 9/2002 | Vandenbussche | D6/310 |
| D464,206 S * | 10/2002 | Moncourtois | D6/308 |
| D486,963 S * | 2/2004 | Prince | D6/309 |
| D495,709 S * | 9/2004 | Walker | D14/375 |
| D529,724 S * | 10/2006 | Mohundro | D6/309 |

| | | | |
|--------------|---------|-------------------|--------|
| D552,358 S * | 10/2007 | Mischel, Jr. | D6/300 |
| D599,120 S * | 9/2009 | Mischel, Jr. | D6/300 |
| D743,704 S | 11/2015 | Kaiser | |
| D749,329 S | 2/2016 | Kaiser | |
| 9,648,217 B2 | 5/2017 | Kaiser | |
| D829,007 S * | 9/2018 | Choi | D6/310 |
| D878,777 S * | 3/2020 | Kaiser | D6/309 |
| D935,202 S * | 11/2021 | Yang | D6/310 |
| D953,755 S * | 6/2022 | Meng | D6/309 |
| D959,856 S * | 8/2022 | Meng | D6/309 |
| D968,823 S * | 11/2022 | Liu | D6/311 |
| D970,904 S * | 11/2022 | Shin | D6/309 |
| D974,054 S * | 1/2023 | Liu | D6/311 |
| D975,454 S * | 1/2023 | Yang | D6/309 |

* cited by examiner

Primary Examiner — Deanna L Pratt

(74) *Attorney, Agent, or Firm* — Steven N. Fox, Esq.

(57) **CLAIM**

The ornamental design for a table mirror, as shown and described.

DESCRIPTION

FIG. 1 is a front perspective view of a table mirror according to the present invention;
FIG. 2 is a rear perspective view of the table mirror;
FIG. 3 is a front view thereof;
FIG. 4 is a rear view thereof;
FIG. 5 is a left side view thereof;
FIG. 6 is a right side view thereof;
FIG. 7 is a top view thereof; and,
FIG. 8 is a bottom view thereof.

1 Claim, 6 Drawing Sheets

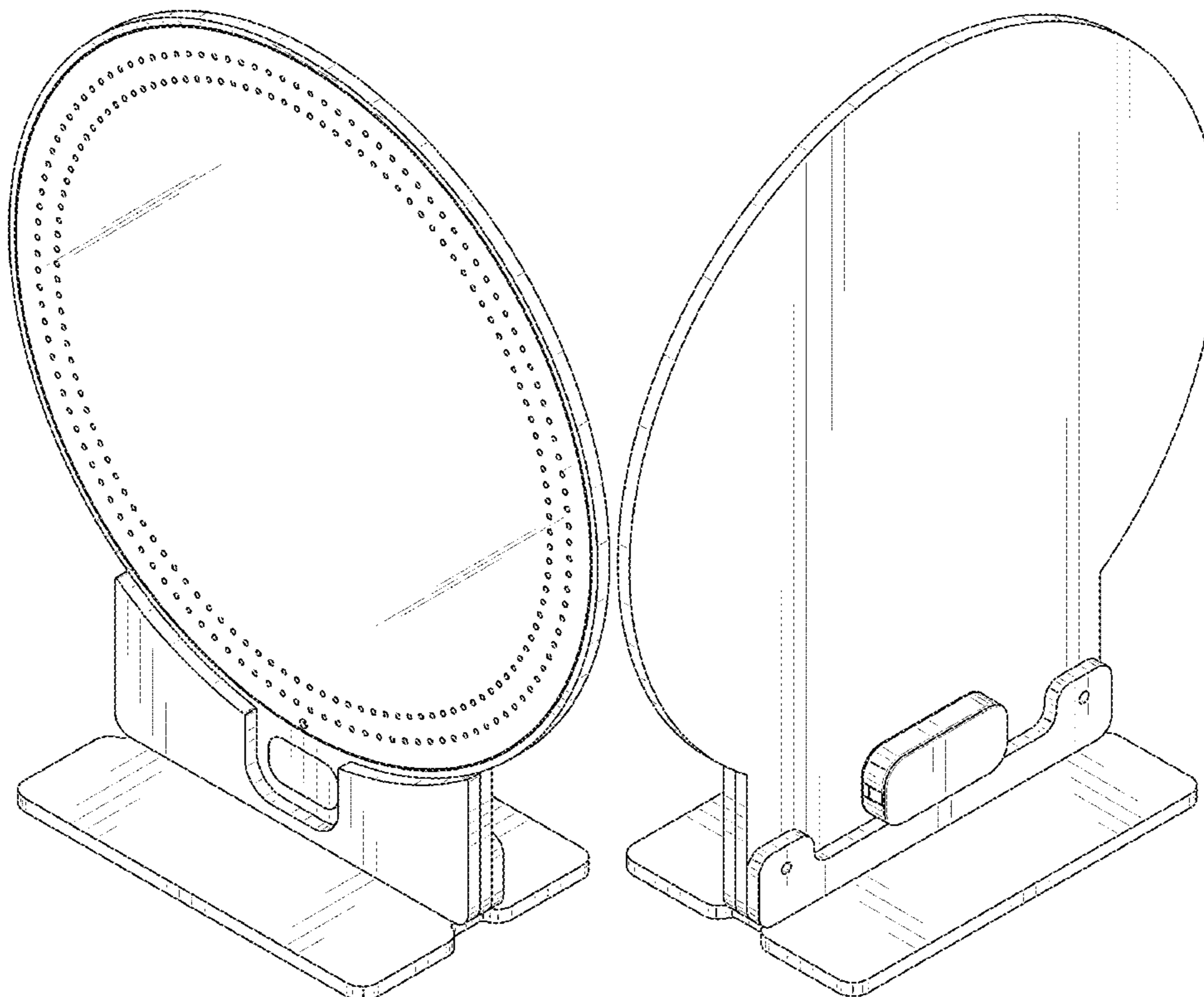


FIG. 1

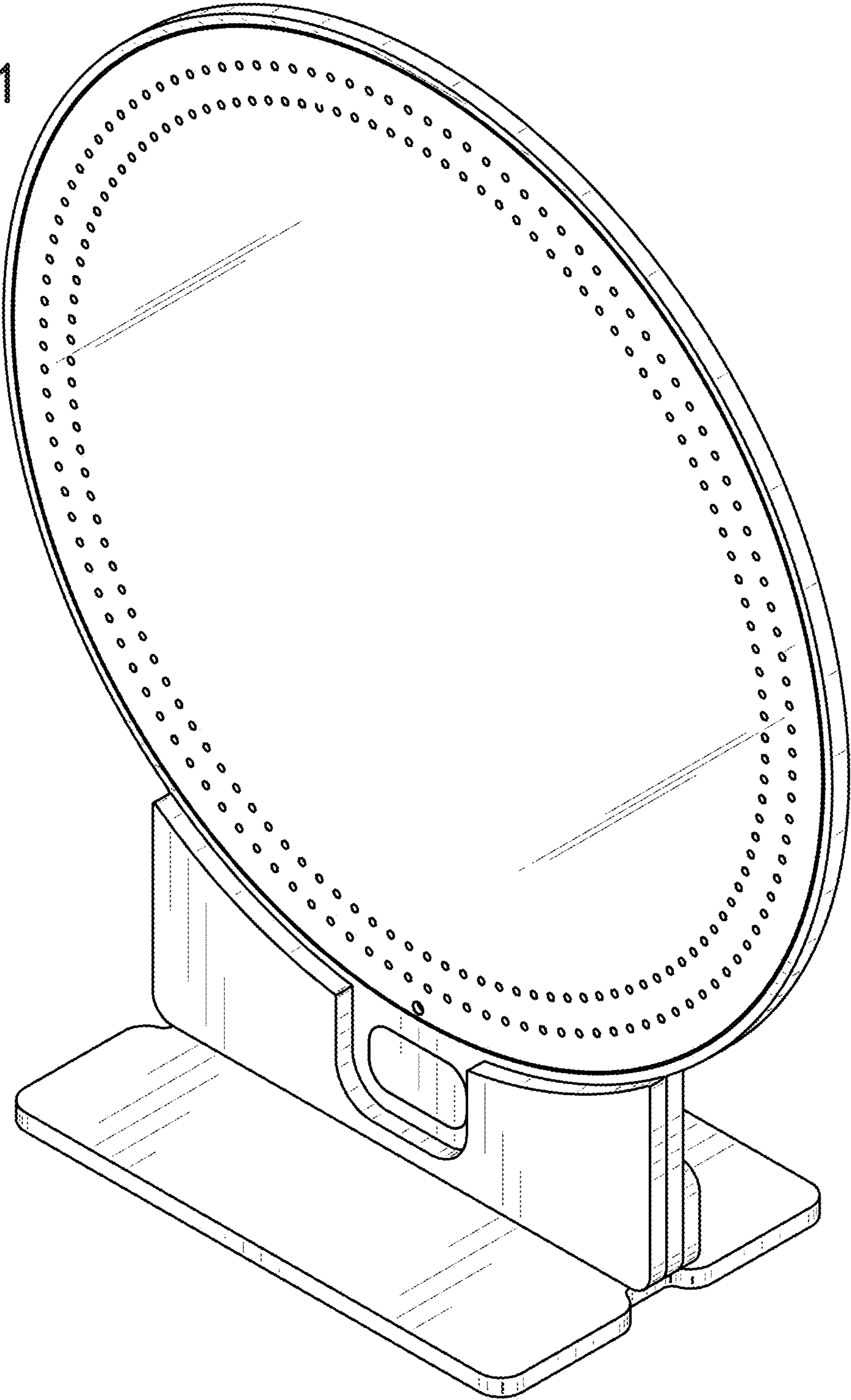


FIG. 2

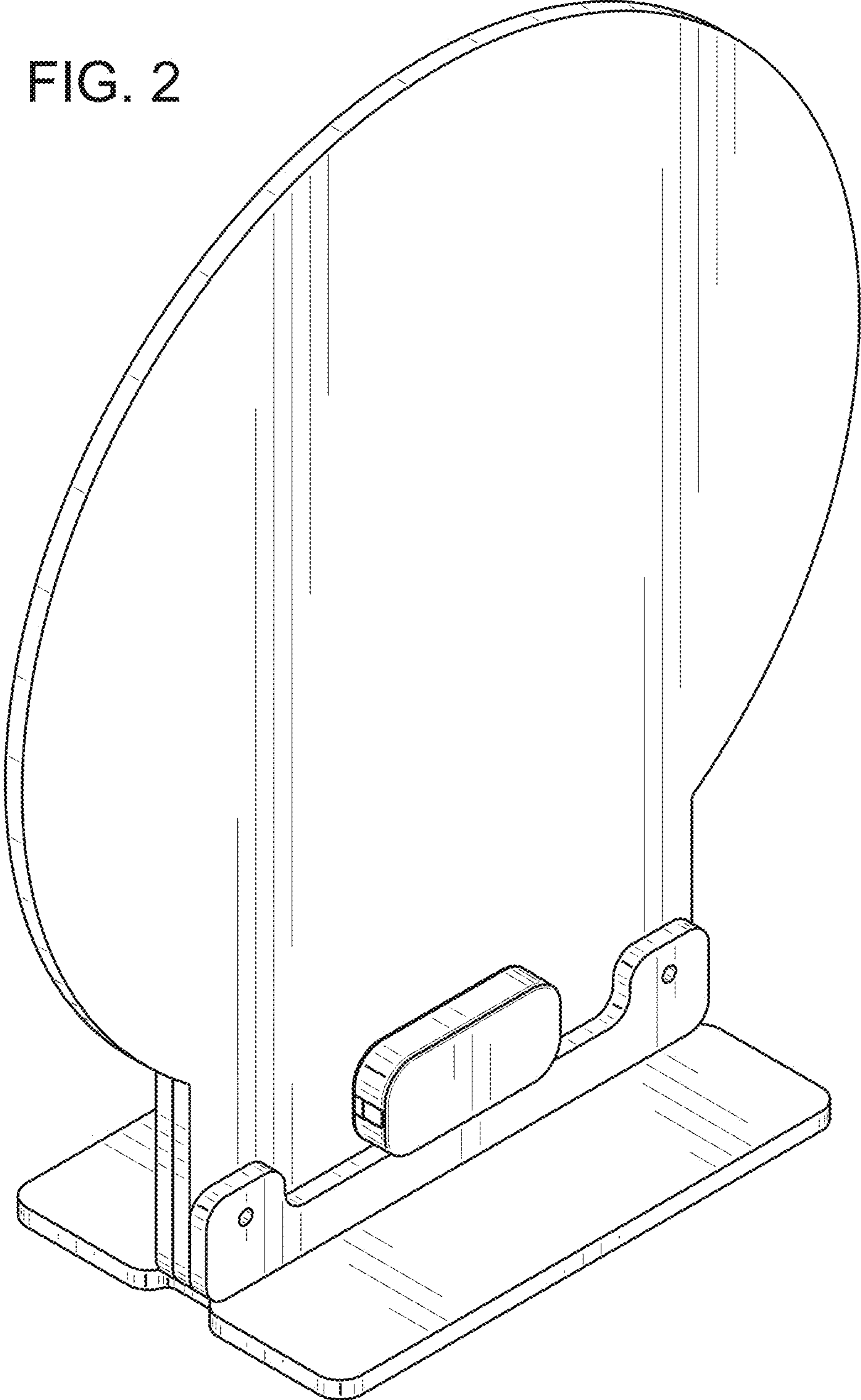


FIG. 3

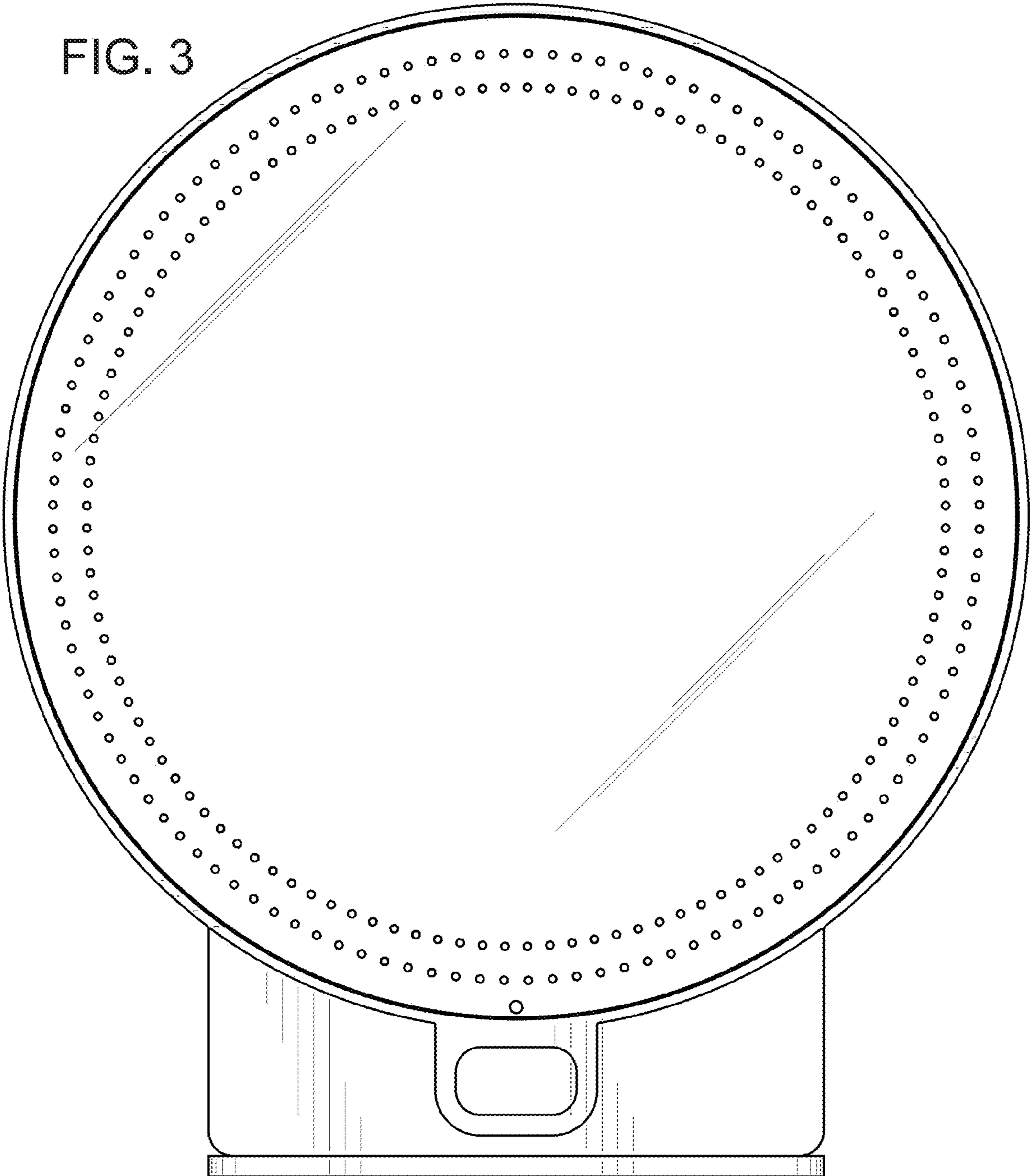


FIG. 4

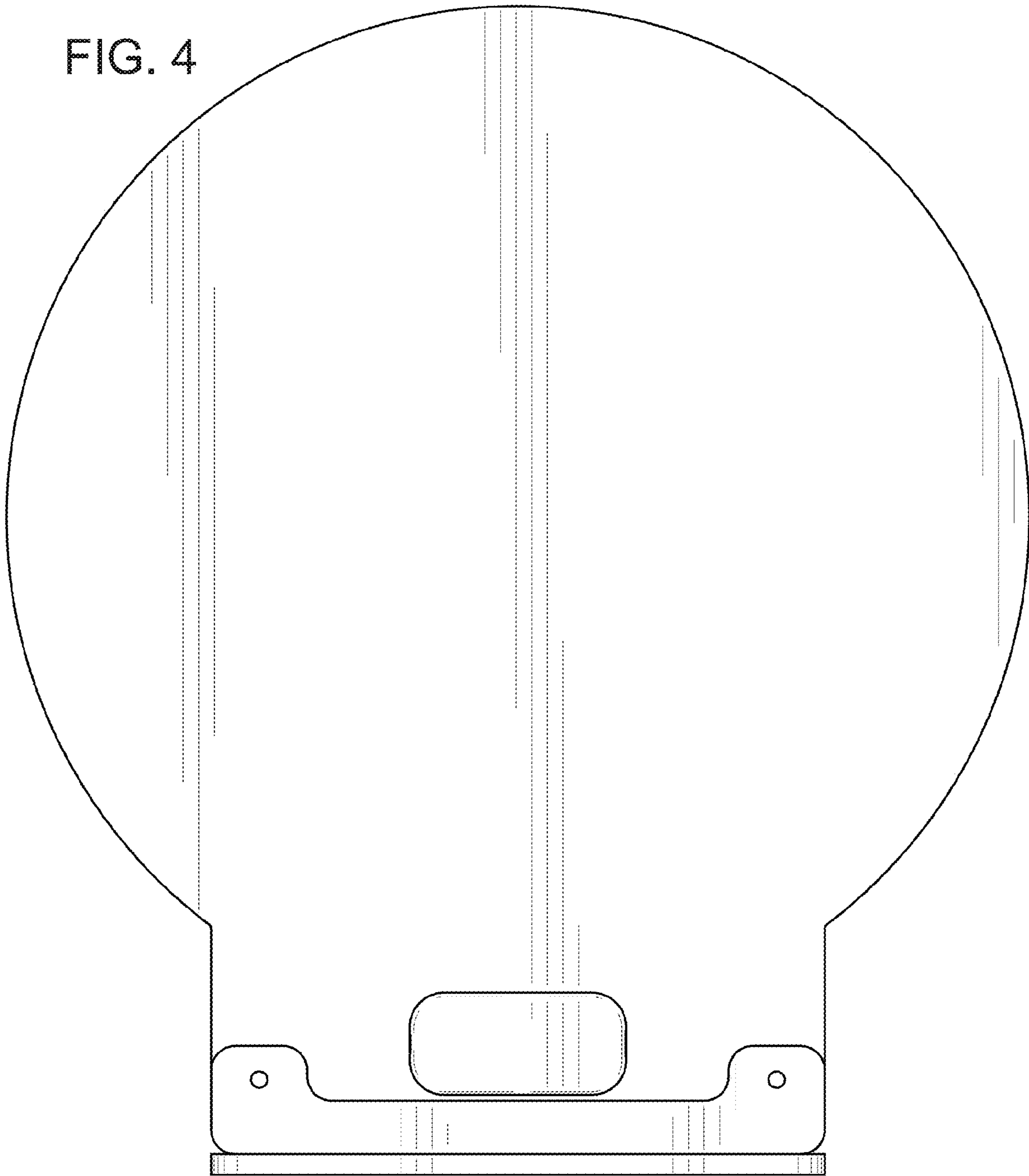


FIG. 5

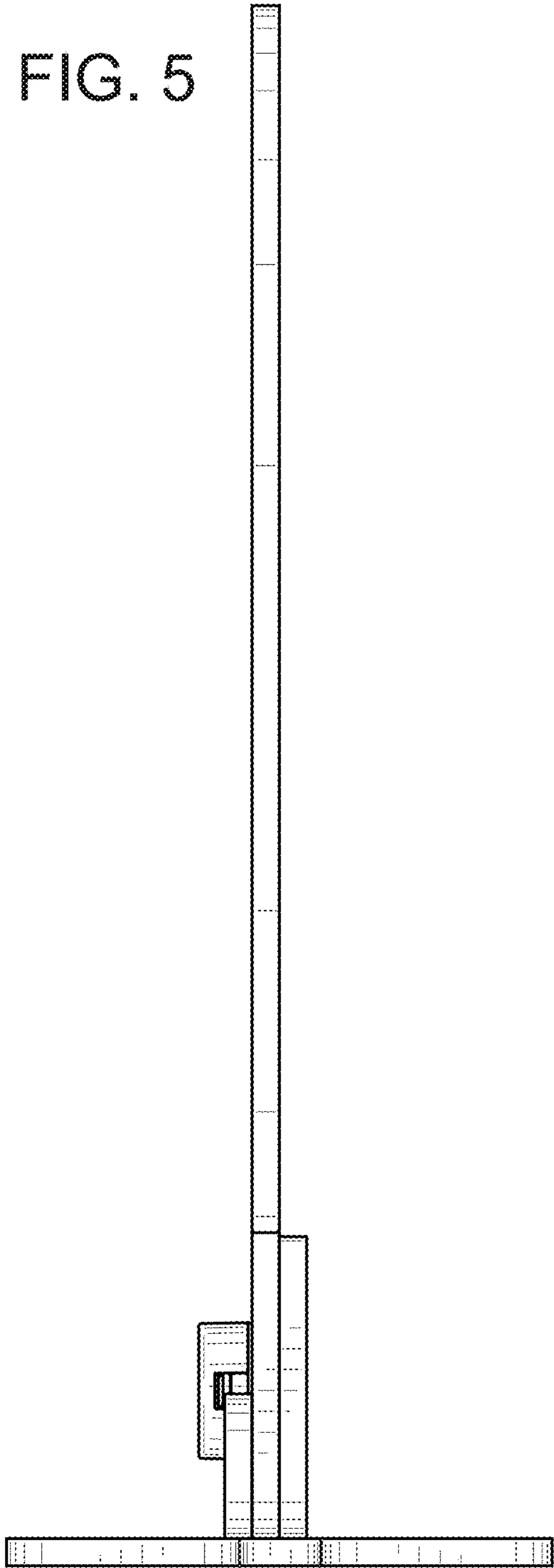


FIG. 6

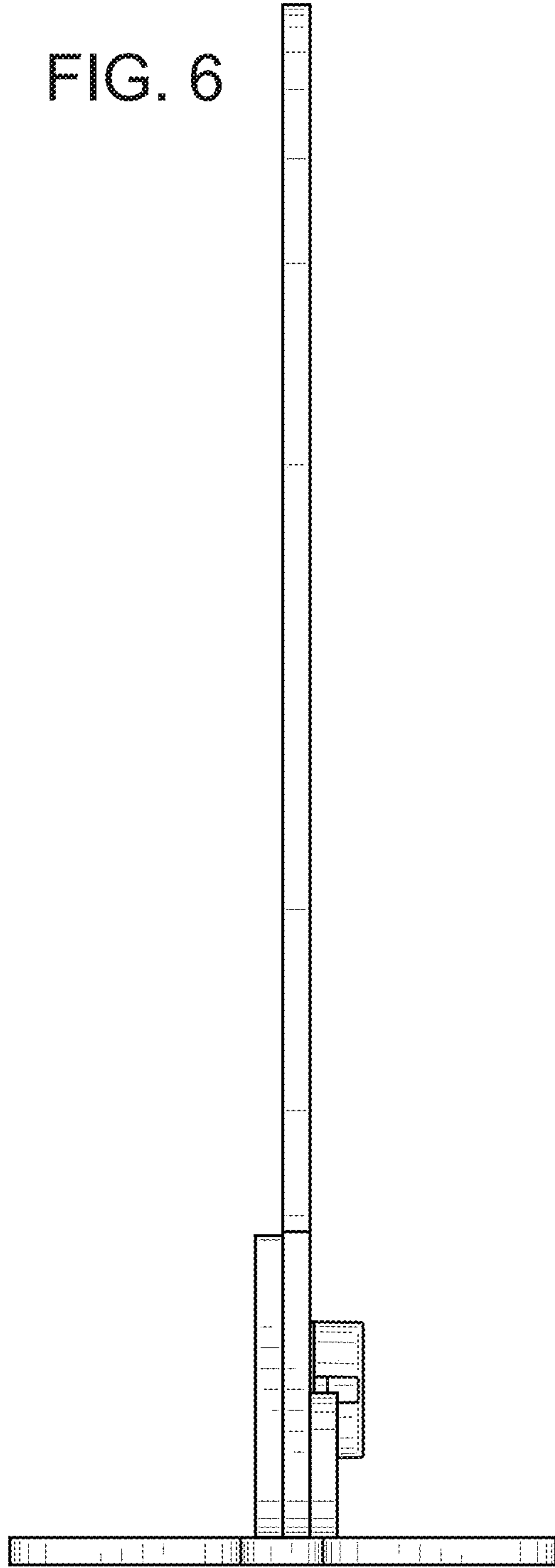


FIG. 7

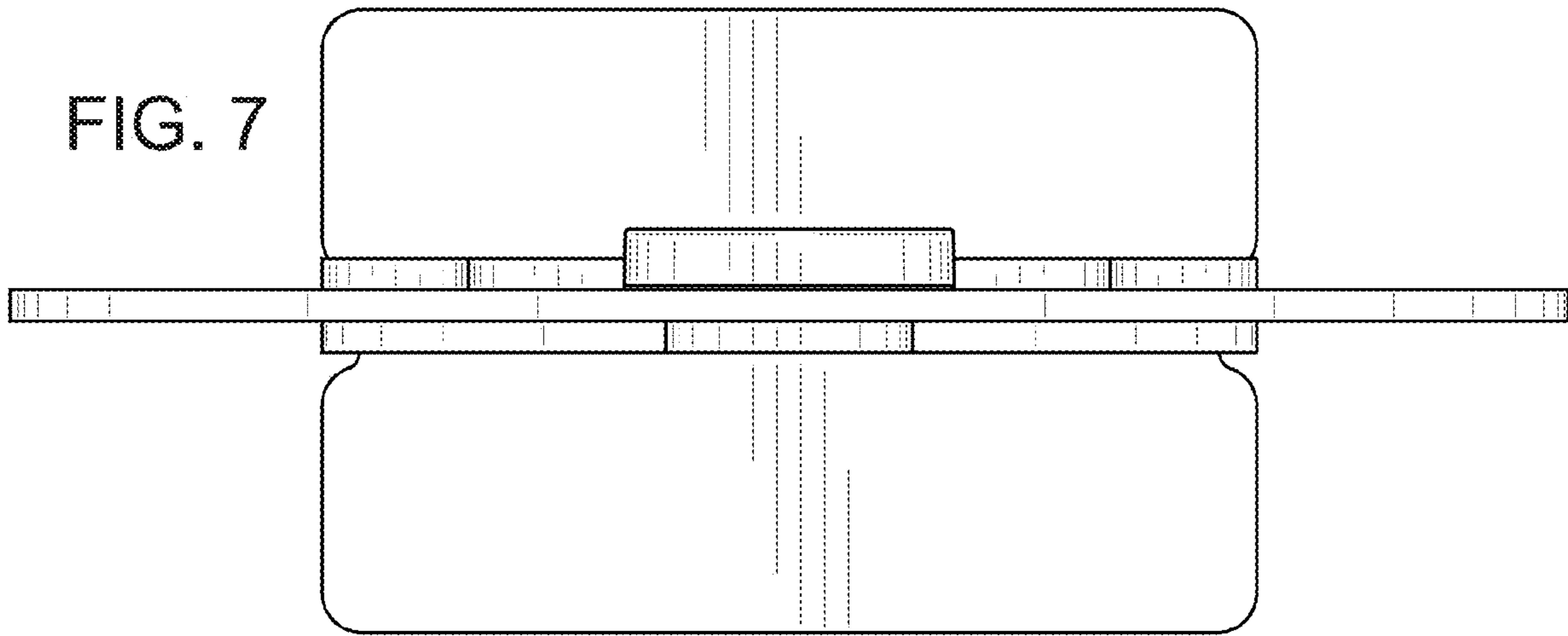


FIG. 8

