



US00D982911S

(12) **United States Design Patent**  
**Kaiser et al.**

(10) **Patent No.:** **US D982,911 S**  
(45) **Date of Patent:** **\*\* Apr. 11, 2023**

(54) **WALL MIRROR**

(71) Applicant: **Erik A. Kaiser**, New York, NY (US)

(72) Inventors: **Erik A. Kaiser**, New York, NY (US);  
**Joshua David Kran**, Endwell, NY (US)

(73) Assignee: **Erik A. Kaiser**, New York, NY (US)

(\*\*) Term: **15 Years**

(21) Appl. No.: **29/778,093**

(22) Filed: **Apr. 10, 2021**

(51) **LOC (14) Cl.** ..... **06-07**

(52) **U.S. Cl.**  
USPC ..... **D6/309**

(58) **Field of Classification Search**  
USPC ..... D6/300–314  
CPC .. A47G 1/00; A47G 2001/002; F21V 33/004;  
A45D 42/10

See application file for complete search history.

(56) **References Cited**

**U.S. PATENT DOCUMENTS**

D459,094 S *	6/2002	Stone	.....	D6/309
D464,206 S *	10/2002	Moncourtois	.....	D6/308
D552,358 S *	10/2007	Mischel, Jr.	.....	D6/300
D599,120 S *	9/2009	Mischel, Jr.	.....	D6/300
D743,704 S	11/2015	Kaiser		

D749,329 S	2/2016	Kaiser		
9,648,217 B2	5/2017	Kaiser		
D829,007 S *	9/2018	Choi	.....	D6/310
D848,158 S *	5/2019	Yang	.....	D6/309
D878,777 S *	3/2020	Kaiser	.....	D6/309
D919,981 S *	5/2021	Li	.....	D6/309
D935,202 S *	11/2021	Yang	.....	D6/310
D953,755 S *	6/2022	Meng	.....	D6/309
D955,119 S *	6/2022	Liu	.....	D6/309
D959,856 S *	8/2022	Meng	.....	D6/309
D968,823 S *	11/2022	Liu	.....	D6/311
D974,054 S *	1/2023	Liu	.....	D6/311
D975,454 S *	1/2023	Yang	.....	D6/309

\* cited by examiner

*Primary Examiner* — Deanna L Pratt

(74) *Attorney, Agent, or Firm* — Steven N. Fox, Esq.

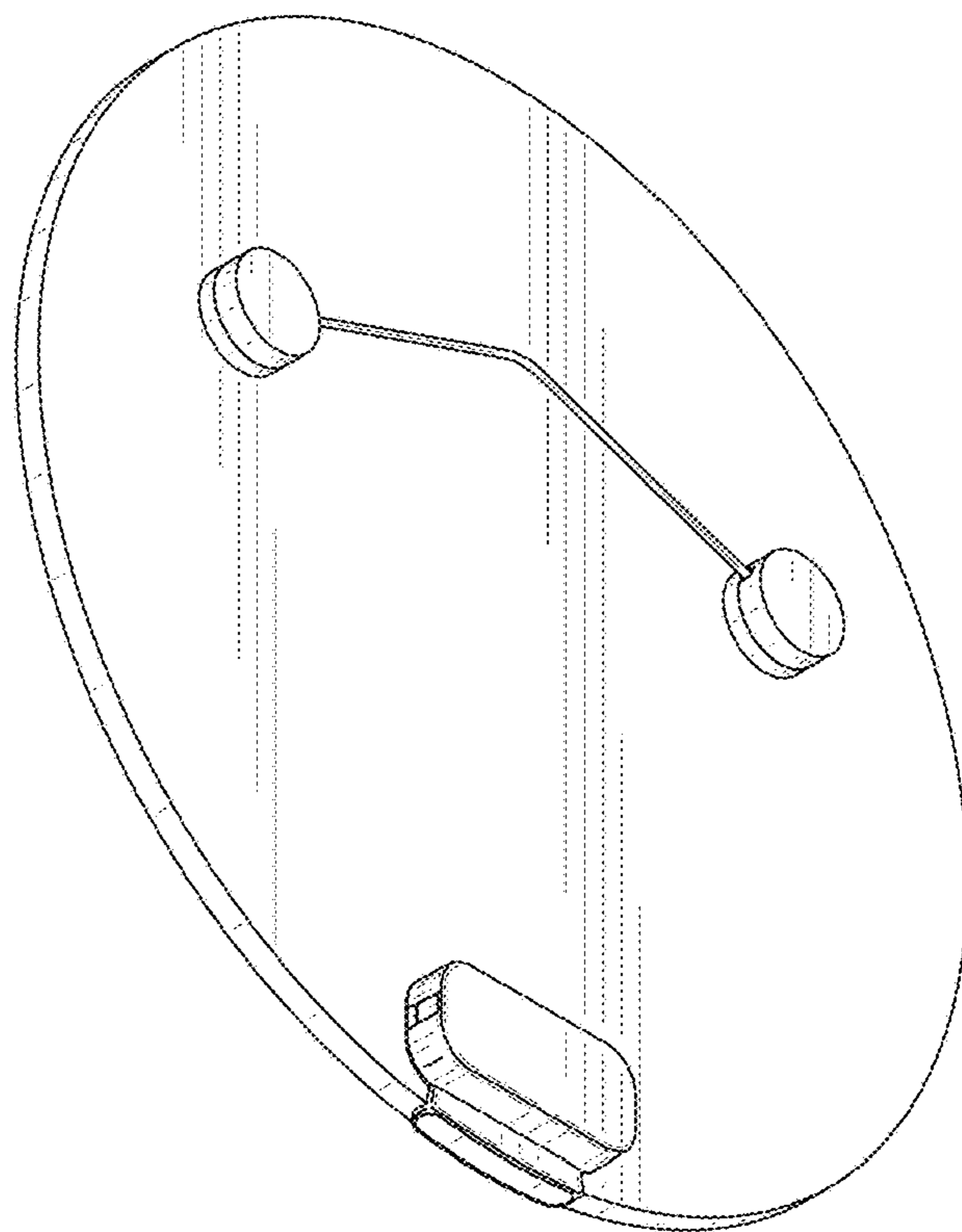
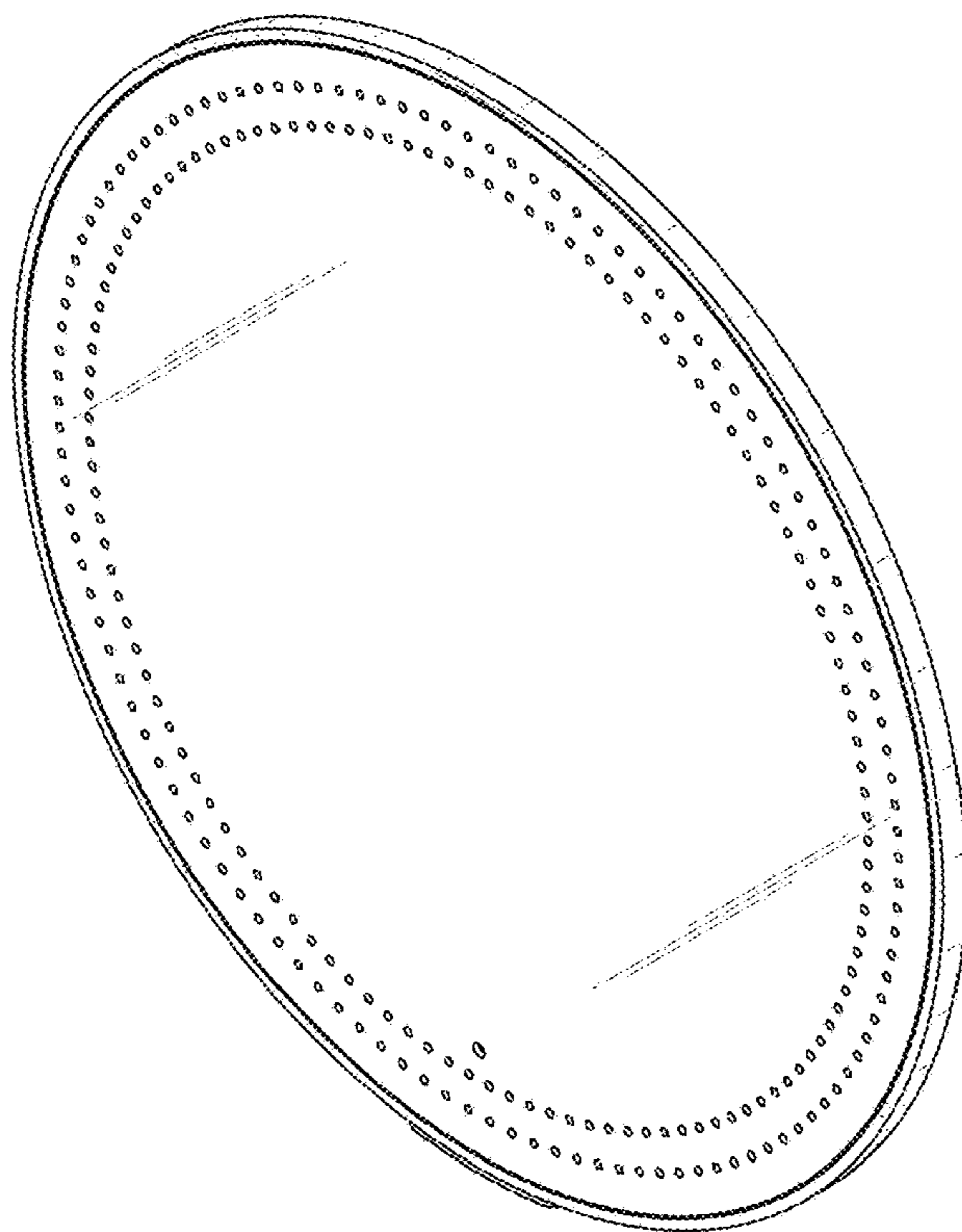
(57) **CLAIM**

The ornamental design for a wall mirror, as shown and described.

**DESCRIPTION**

FIG. 1 is a front perspective view of a wall mirror according to the present invention;  
 FIG. 2 is a rear perspective view of the wall mirror;  
 FIG. 3 is a front view thereof;  
 FIG. 4 is a rear view thereof;  
 FIG. 5 is a left side view thereof;  
 FIG. 6 is a right side view thereof;  
 FIG. 7 is a top view thereof; and,  
 FIG. 8 is a bottom view thereof.

**1 Claim, 5 Drawing Sheets**



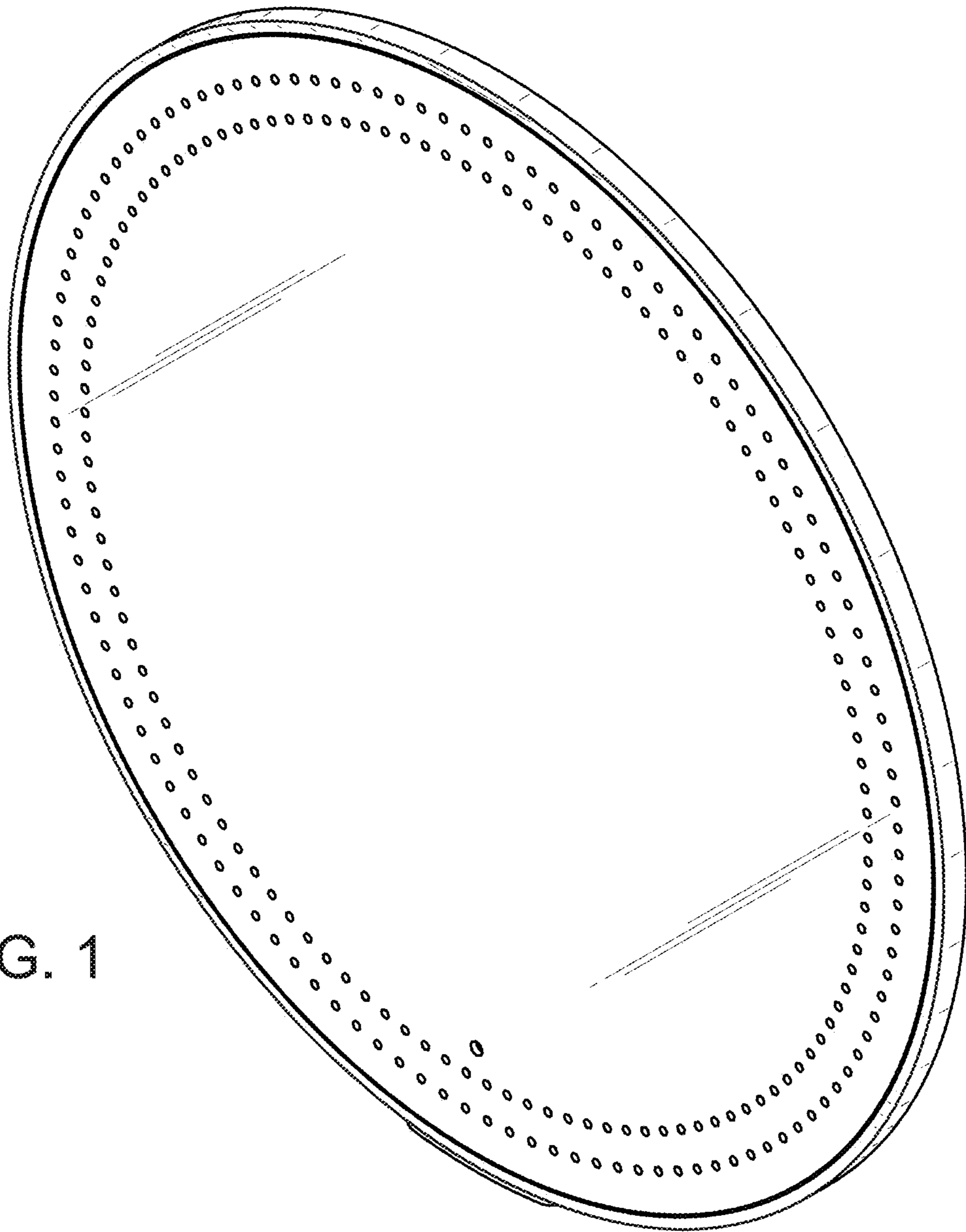


FIG. 1

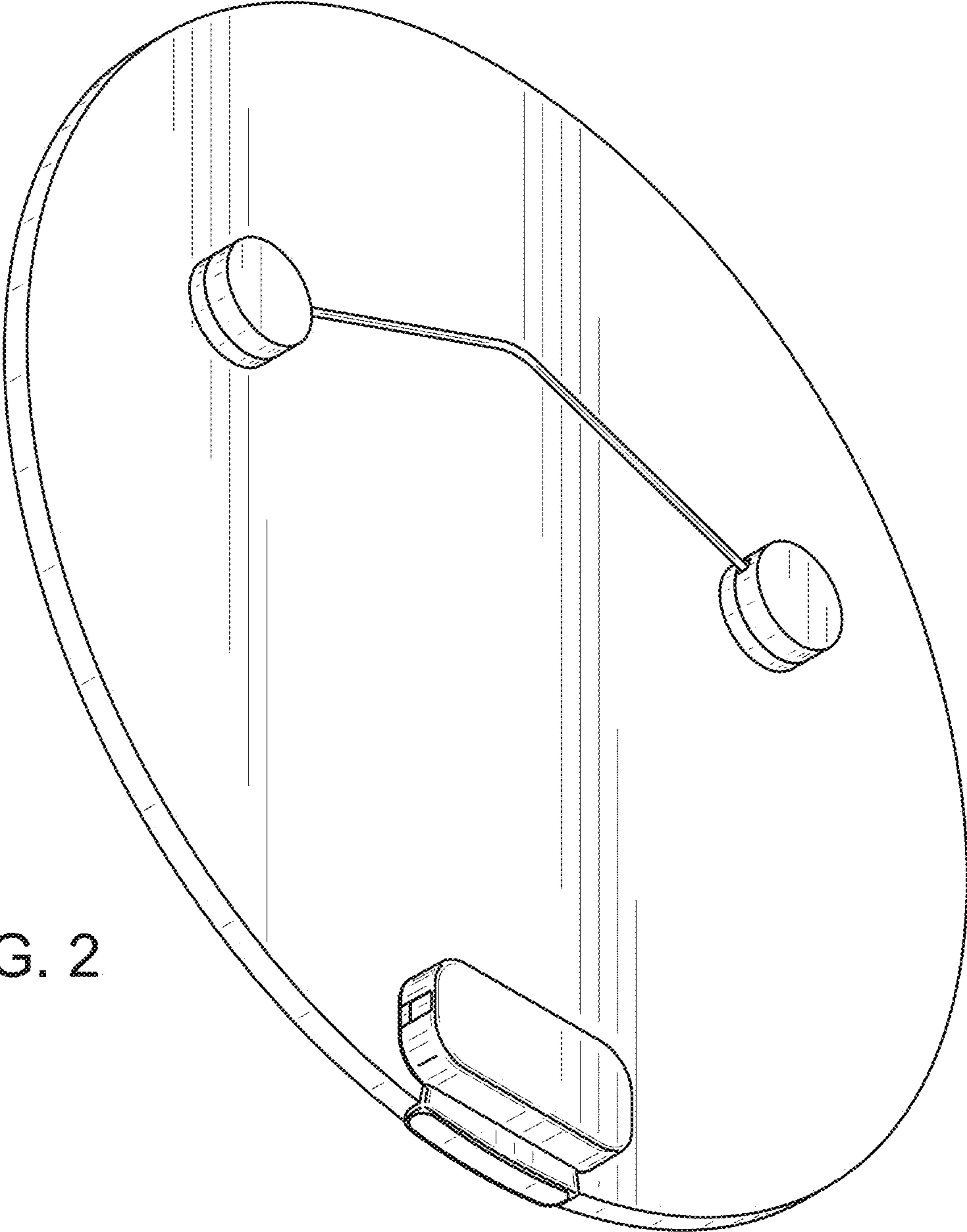


FIG. 2

FIG. 3

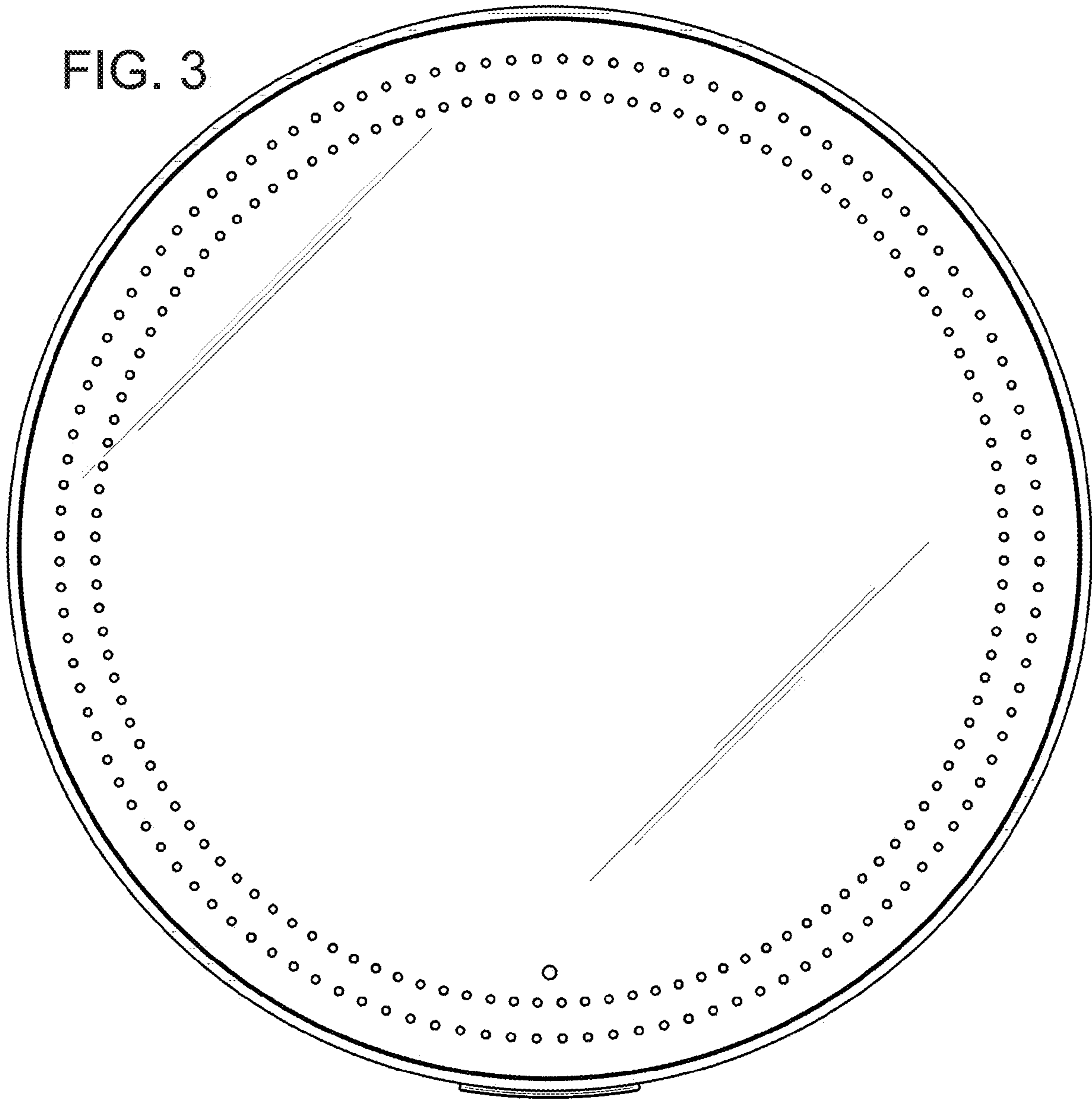




FIG. 4

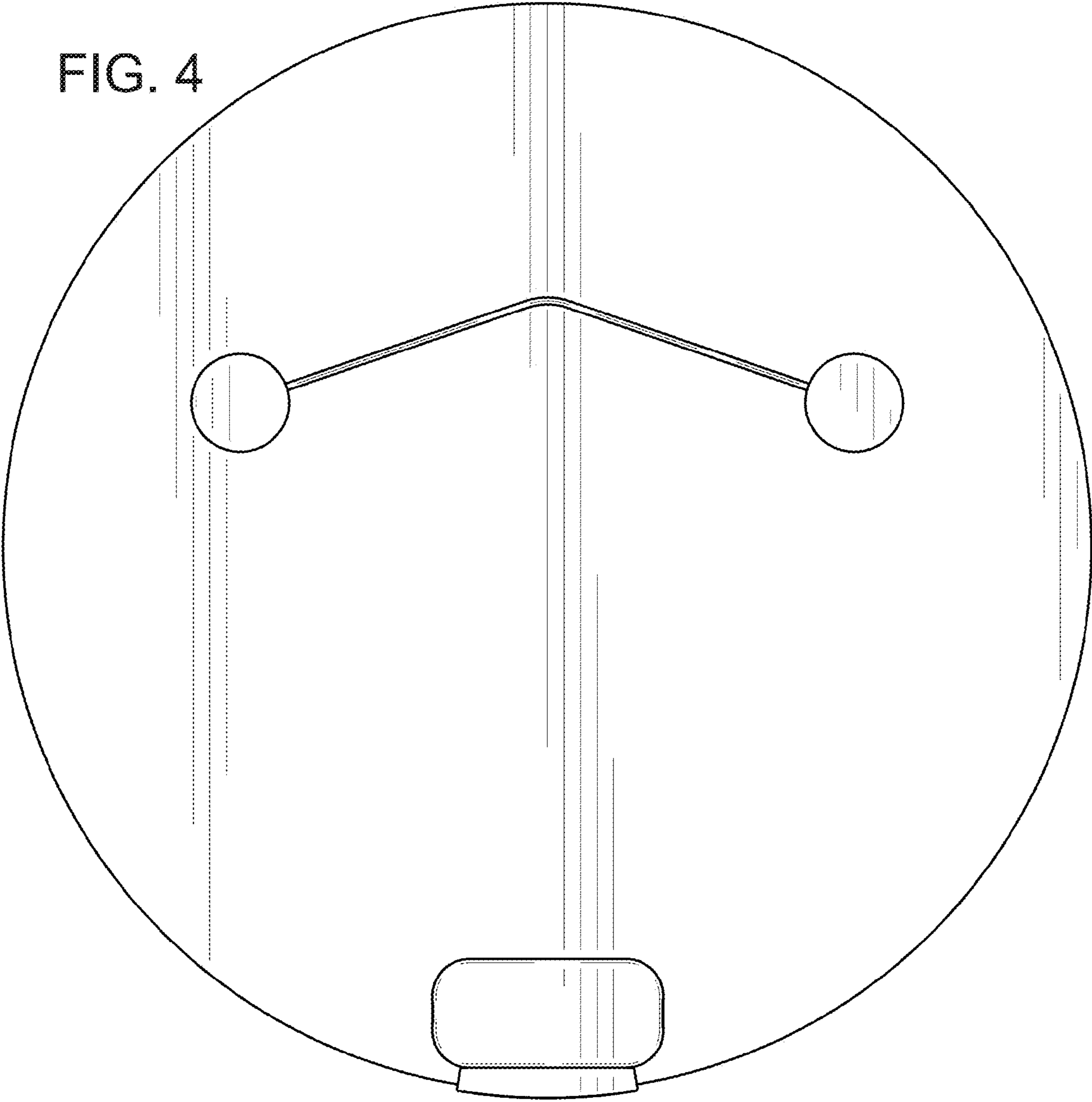


FIG. 5

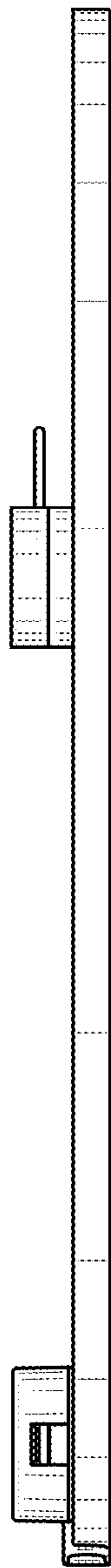


FIG. 6

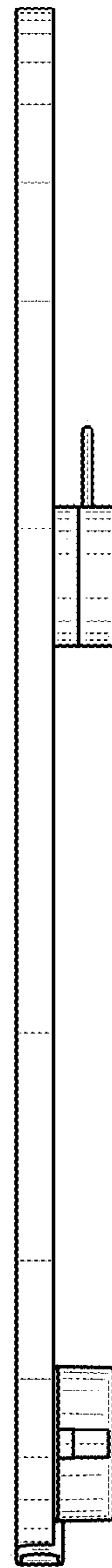


FIG. 7

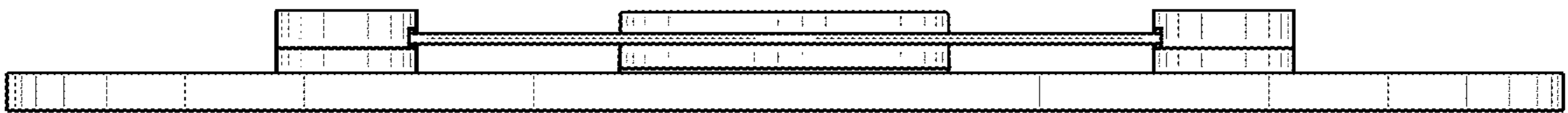


FIG. 8

