



US00D982908S

(12) **United States Design Patent**  
**Chen**

(10) **Patent No.:** **US D982,908 S**

(45) **Date of Patent:** **\*\* Apr. 11, 2023**

(54) **HAIRBRUSH**

(71) Applicant: **NINGBO LET IT BE ARTS AND CRAFTS CO., LTD**, Ningbo (CN)

(72) Inventor: **Jiayan Chen**, Ningbo (CN)

(73) Assignee: **NINGBO LET IT BE ARTS AND CRAFTS CO., LTD**, Ningbo (CN)

(\*\*) Term: **15 Years**

(21) Appl. No.: **29/761,197**

(22) Filed: **Dec. 8, 2020**

(30) **Foreign Application Priority Data**

Sep. 16, 2020 (CN) ..... 202030550311.1

(51) **LOC (14) Cl.** ..... **04-99**

(52) **U.S. Cl.**  
USPC ..... **D4/134**

(58) **Field of Classification Search**  
USPC ..... D4/100, 102, 116, 117, 118, 121, 122,  
D4/127, 128, 130, 131, 132, 133, 134,  
D4/138; D28/15, 24; D30/158, 159  
CPC ..... A46B 2200/104; A46B 15/0059; A46B  
15/003; A45D 24/00; A45D 2/001; A45D  
20/48; A01K 13/002

See application file for complete search history.

(56) **References Cited**

**U.S. PATENT DOCUMENTS**

674,120 A \* 5/1901 Montgomery ..... A46B 7/04  
15/176.5  
3,739,419 A \* 6/1973 Natman ..... A46B 3/00  
15/187  
D796,209 S \* 9/2017 Hu ..... D28/25  
D796,210 S \* 9/2017 Hu ..... D28/25  
D820,603 S \* 6/2018 Yoon ..... D4/138

D840,696 S \* 2/2019 Chen ..... D4/134  
D845,644 S \* 4/2019 Kuo ..... D4/134  
D893,888 S \* 8/2020 Sze ..... D4/134  
D895,300 S \* 9/2020 Sun ..... D4/134  
D900,481 S \* 11/2020 Chen ..... D4/133  
D934,571 S \* 11/2021 Wang ..... D4/134  
D944,535 S \* 3/2022 Wang ..... D4/134

**FOREIGN PATENT DOCUMENTS**

EM 008590475-0003 \* 6/2021  
EM 001484083-0001 \* 1/2022

**OTHER PUBLICATIONS**

Ninabella Brush, announced 2019 [online], [site visited Oct. 3, 2022]. Avail from int, URL: [https://www.amazon.com/Ninabella-Organic-Detangling-Brush-Children/dp/B09QXNHK5/ref=pd\\_lpo\\_2](https://www.amazon.com/Ninabella-Organic-Detangling-Brush-Children/dp/B09QXNHK5/ref=pd_lpo_2) (Year: 2019).\*

(Continued)

*Primary Examiner* — Cynthia Ramirez

*Assistant Examiner* — Tamara L Hahn

(74) *Attorney, Agent, or Firm* — Bayramoglu Law Offices LLC

(57) **CLAIM**

The ornamental design for a hairbrush, as shown and described.

**DESCRIPTION**

FIG. 1 is a perspective view of a Hairbrush showing my new design;

FIG. 2 is a front view thereof;

FIG. 3 is a rear view thereof;

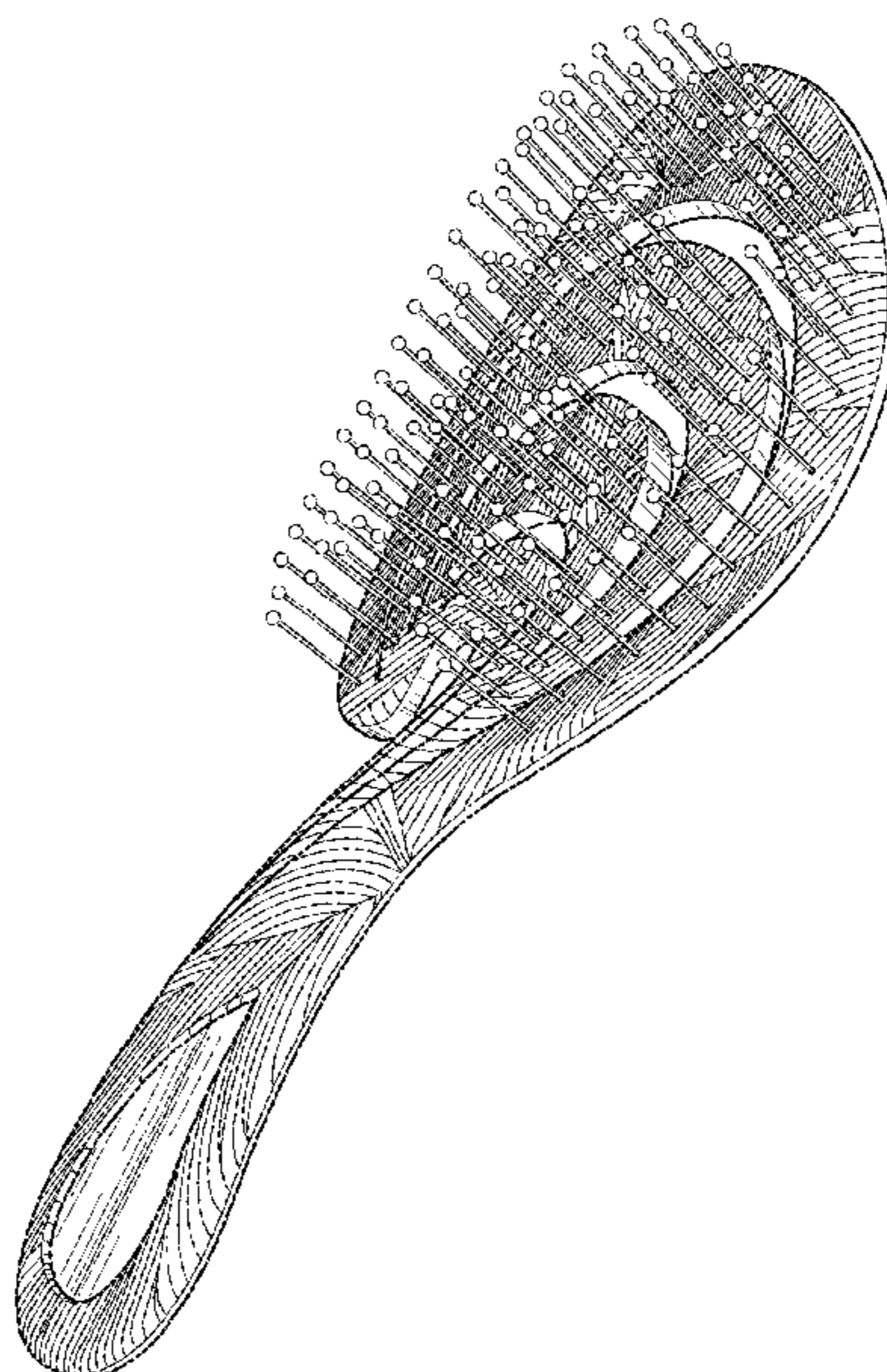
FIG. 4 is a left side view thereof;

FIG. 5 is a right side view thereof;

FIG. 6 is a top view thereof; and,

FIG. 7 is a bottom view thereof.

**1 Claim, 7 Drawing Sheets**



(56)

**References Cited**

OTHER PUBLICATIONS

Fiora Brush, announced 2020 [online], [site visited Oct. 3, 2022]. Avail from int, URL: [https://www.amazon.com/Fiora-Naturals-Detangling-Bio-Friendly-Ultra-soft/dp/B08R9TY57R/ref=pd\\_bxgy\\_img\\_scc1\\_1/135-8909654-3415401?th=1](https://www.amazon.com/Fiora-Naturals-Detangling-Bio-Friendly-Ultra-soft/dp/B08R9TY57R/ref=pd_bxgy_img_scc1_1/135-8909654-3415401?th=1) (Year: 2020).\*

Knotty Girl Brush, announced 2021 [online], [site visited Oct. 3, 2022]. Avail from int, URL: <https://www.headkandypro.com/products/knotty-girl-detangle-brush> (Year: 2021).\*

\* cited by examiner

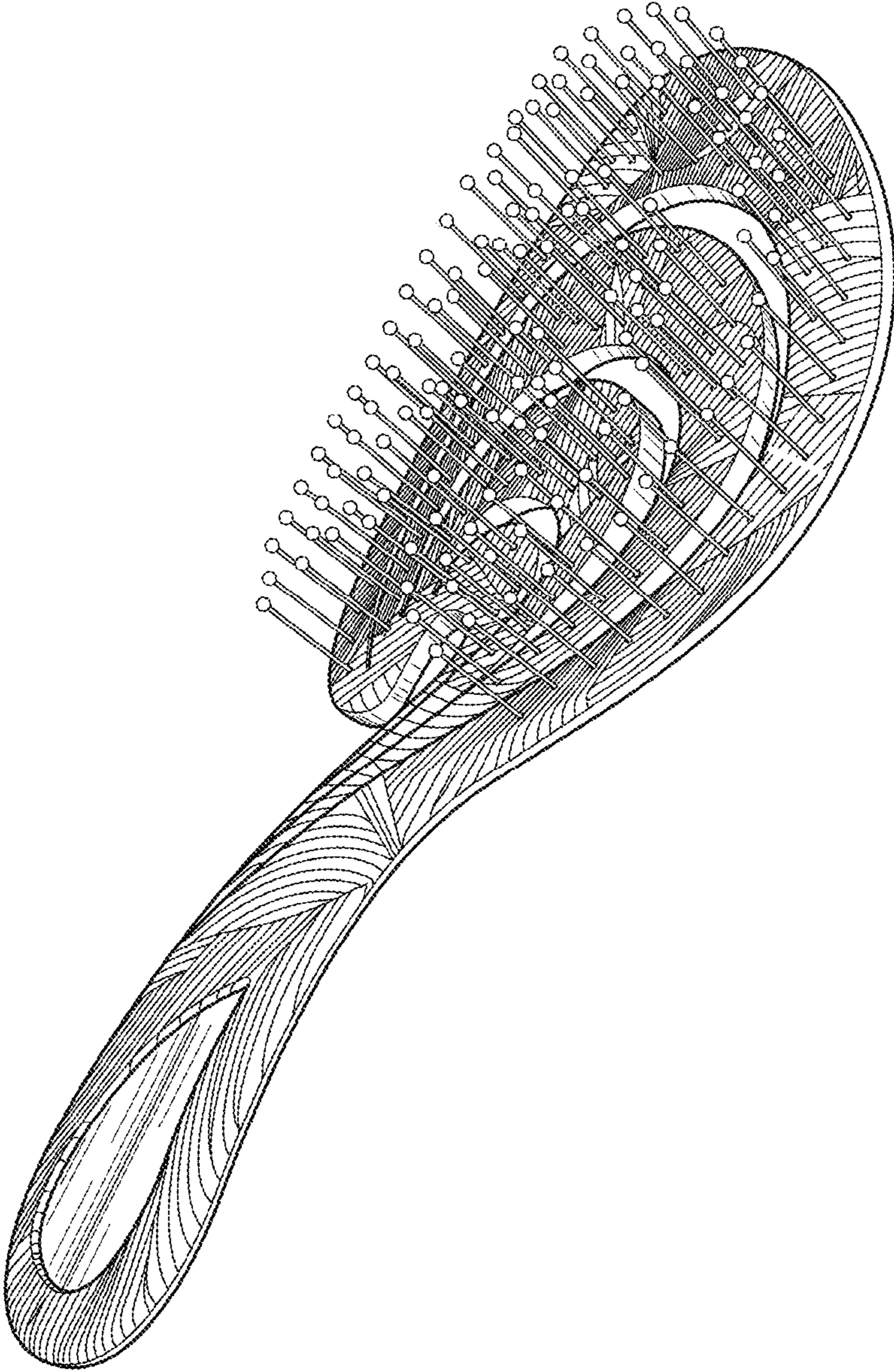


Fig. 1



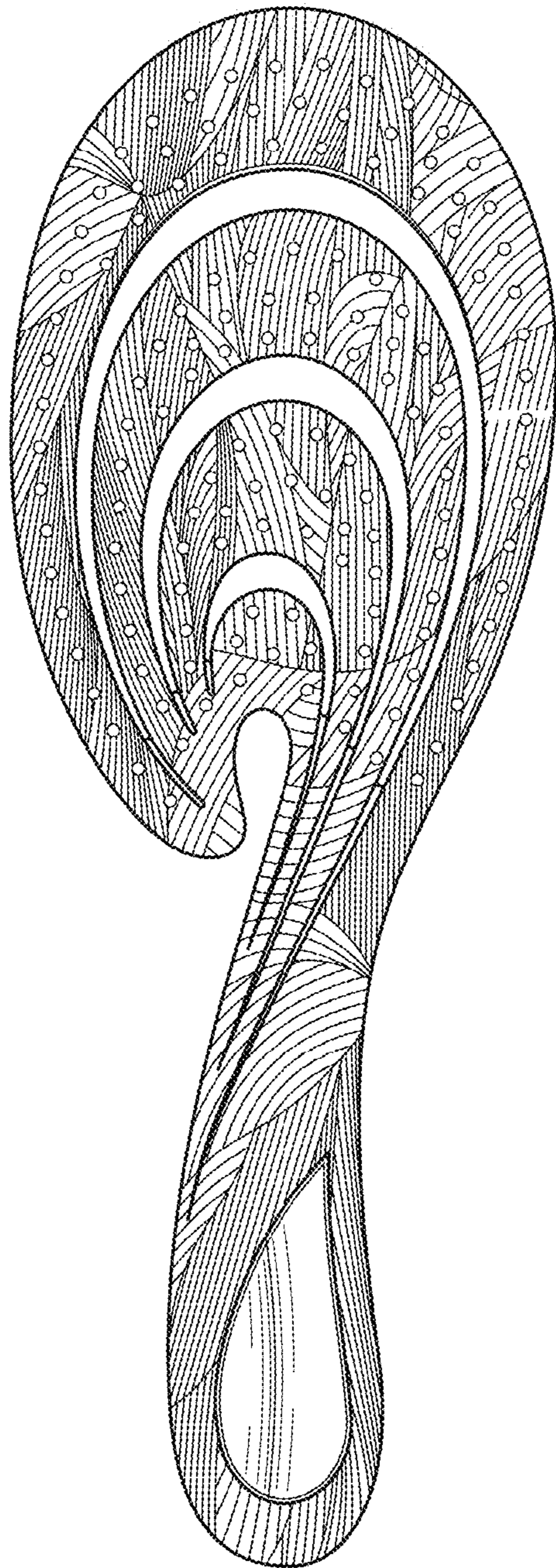


Fig. 2

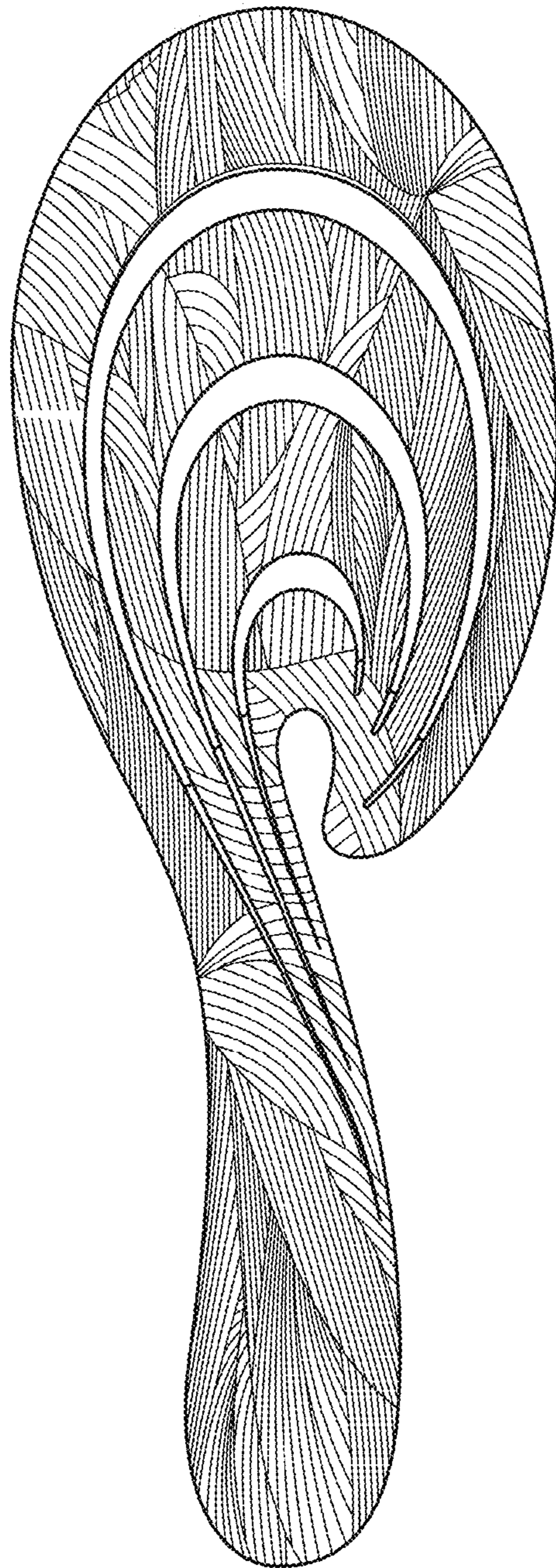


Fig. 3

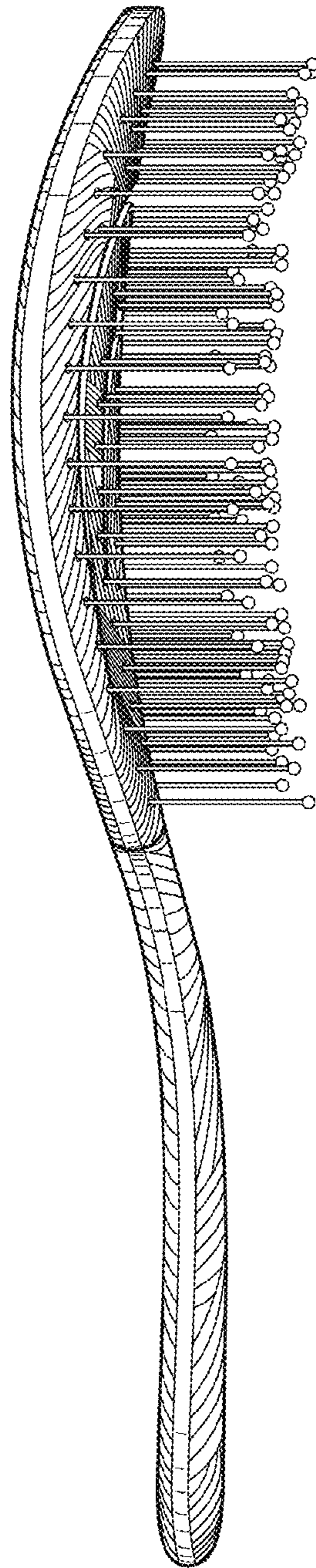


Fig. 4



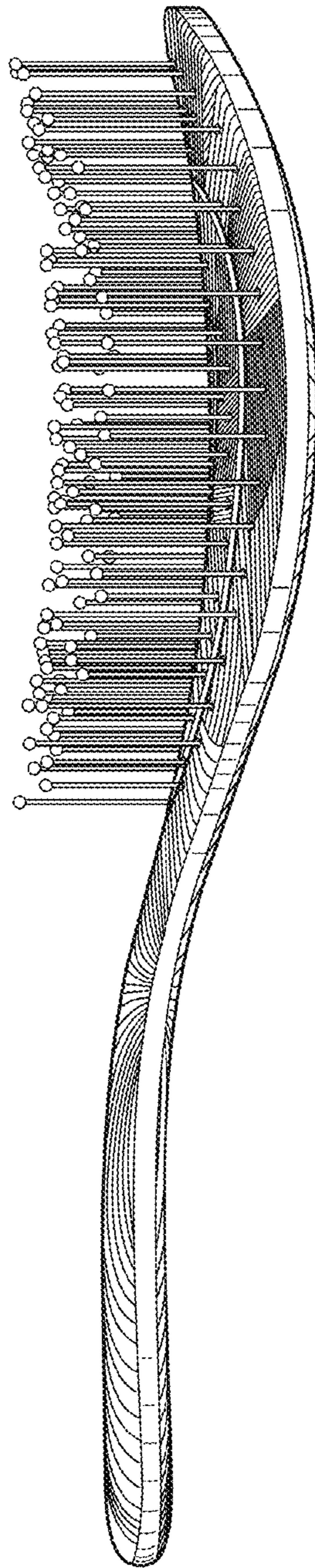


Fig. 5

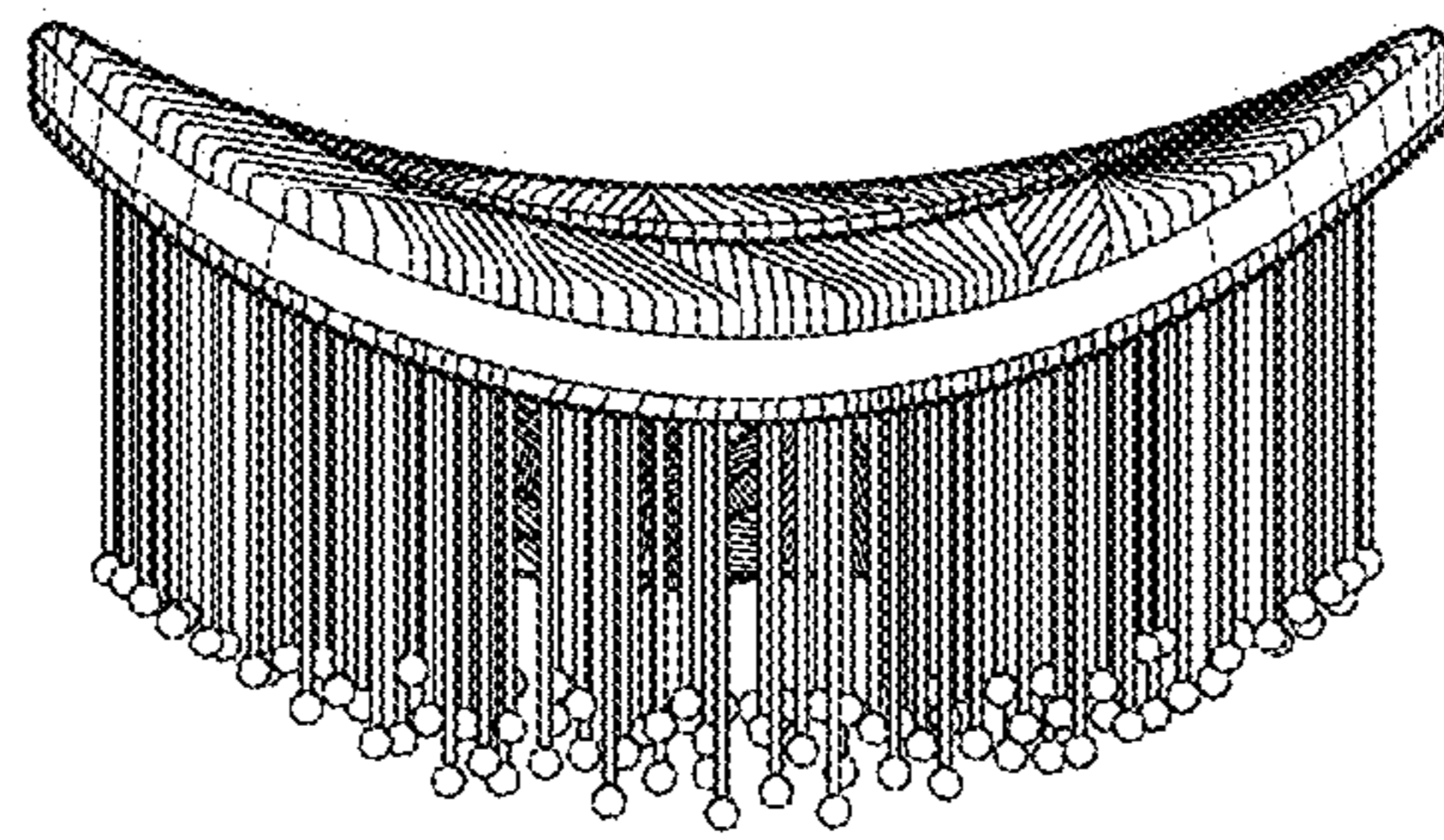


Fig. 6



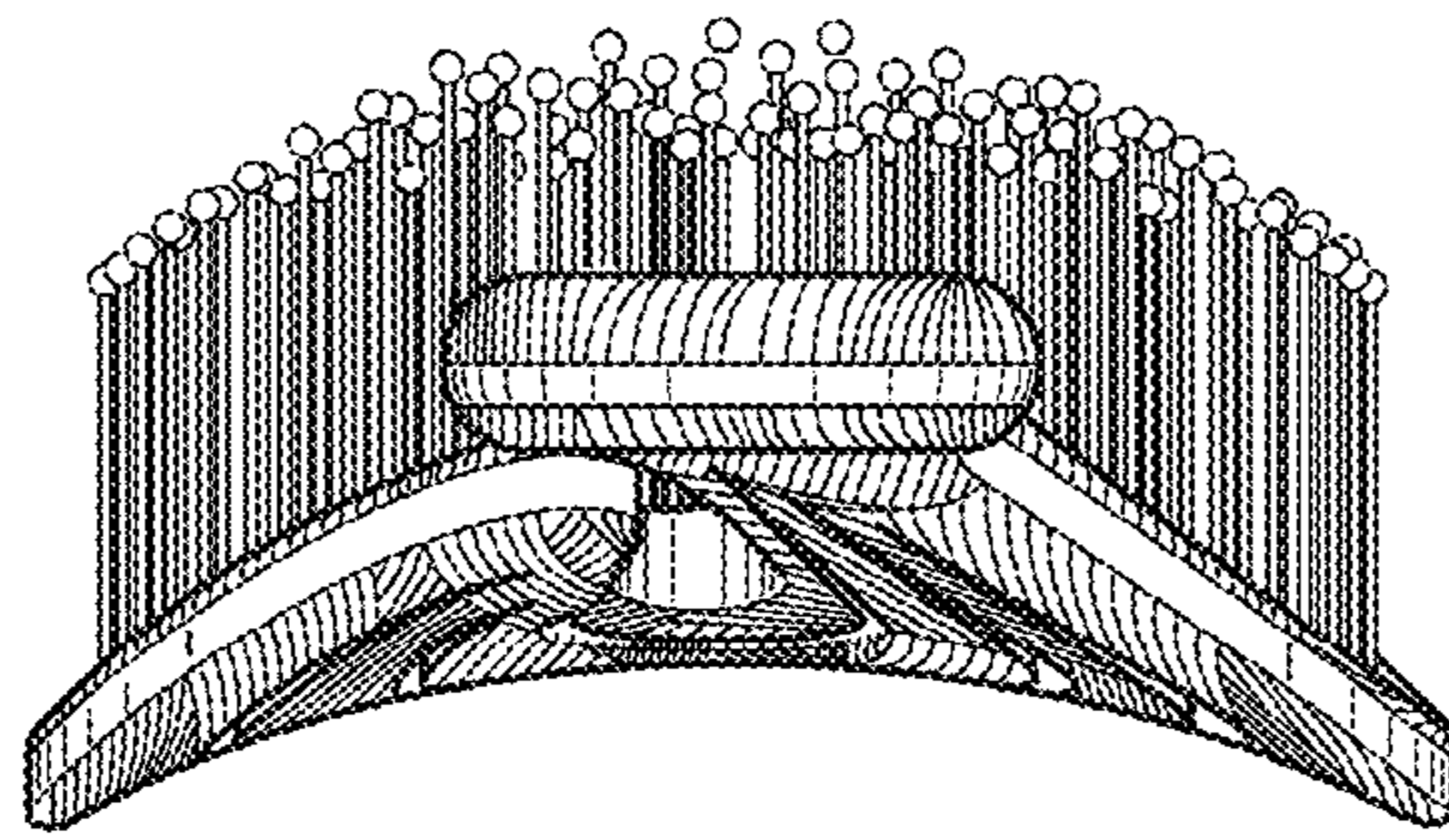


Fig. 7