



US00D982907S

(12) **United States Design Patent** (10) **Patent No.:** **US D982,907 S**  
**Cao** (45) **Date of Patent:** **\*\* Apr. 11, 2023**

(54) **BATHTUB BRUSH**

FOREIGN PATENT DOCUMENTS

(71) Applicant: **Mingxia Cao**, Zhejiang (CN)

CN 304692156 \* 6/2018  
CN 306911421 \* 11/2021

(72) Inventor: **Mingxia Cao**, Zhejiang (CN)

(Continued)

(\*\*) Term: **15 Years**

OTHER PUBLICATIONS

(21) Appl. No.: **29/852,090**

(22) Filed: **Sep. 2, 2022**

(51) **LOC (14) Cl.** ..... **04-01**

(52) **U.S. Cl.**  
USPC ..... **D4/128**

(58) **Field of Classification Search**  
USPC ..... D28/63; D4/116, 121, 127, 128, 129,  
D4/130, 131, 132, 133, 134, 135, 136,  
D4/137, 138, 199, 35, 40, 50, 51, 52;  
D6/532  
CPC ... A47K 5/02; A47K 5/03; A47K 5/04; A47K  
5/1201; A46B 15/0055

Moku Home Shower Scrubber with Long Extendable Handle . . .  
[on-line]. [Available on amazon.com Jan. 16, 2022.] [Retrieved  
from the Internet Jan. 6, 2022.] URL: <https://www.amazon.com/  
dp/B09QFL8RY6?pd\_rd\_i=B09QFL8RY6&pf\_rd\_p=cc257db3-  
38a9-4139-846f-97b867ec4d58&pf\_rd\_r=  
EB4W64FC3MP1GK2H9YMN&pd\_rd\_wg=a4ofX&pd\_rd\_w=57cII  
&pd\_rd\_r=d5c70d3e-0c7a-4cf5-9950-c0c3409b5698> (Year: 2022).\*

*Primary Examiner* — Karen E Eldridge Powers

See application file for complete search history.

(57) **CLAIM**

The ornamental design for a bathtub brush, as shown and described.

(56) **References Cited**

**DESCRIPTION**

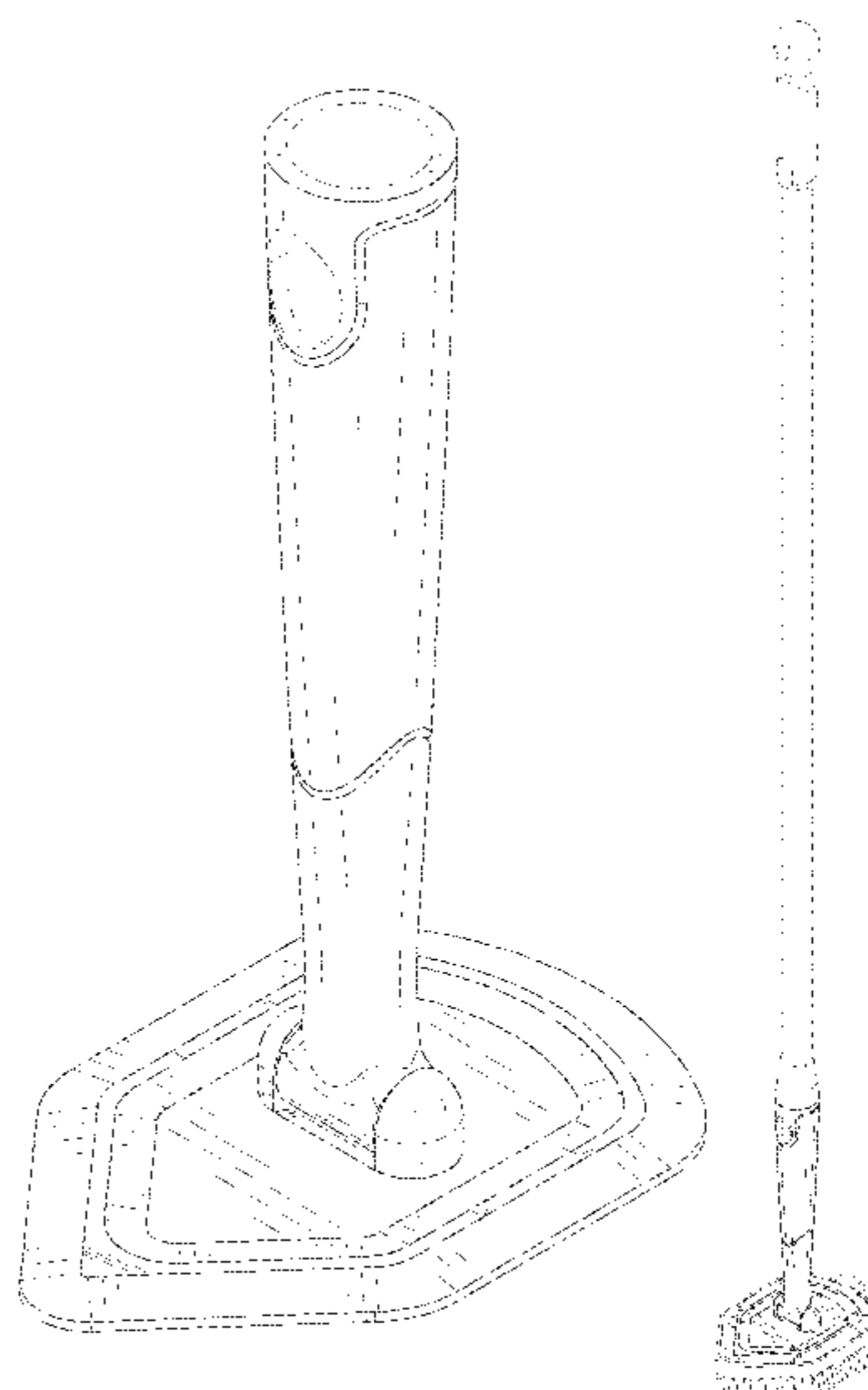
U.S. PATENT DOCUMENTS

1,468,422 A \* 9/1923 Toof ..... A47L 13/252  
15/229.7  
1,940,543 A \* 12/1933 Hertzberg ..... A47L 13/20  
15/229.7  
D109,944 S \* 5/1938 Daust ..... 15/210.1  
D191,783 S \* 11/1961 Spotniz ..... D32/50  
3,031,705 A \* 5/1962 Herman ..... A47L 13/146  
15/119.2  
D366,740 S \* 1/1996 Clausen ..... D32/50  
D375,382 S \* 11/1996 Beeler ..... D28/7  
D460,232 S \* 7/2002 Weihrauch ..... D32/50  
D548,413 S \* 8/2007 Harper ..... D32/40  
D552,812 S \* 10/2007 Dotterman ..... D32/40  
D553,317 S \* 10/2007 Dotterman ..... D32/40  
D588,816 S 3/2009 Hughes, IV  
8,157,466 B2 \* 4/2012 Mueller ..... A47L 13/23  
401/136

FIG. 1 is a front, top and right-side perspective view of a bathtub head showing my new design;  
FIG. 2 is a rear, bottom and left-side perspective view thereof;  
FIG. 3 is a front elevation view thereof;  
FIG. 4 is a rear elevation view thereof;  
FIG. 5 is a left side elevation view thereof;  
FIG. 6 is a right side elevation view thereof;  
FIG. 7 is a top plan view thereof;  
FIG. 8 is a bottom plan view thereof; and,  
FIG. 9 is a front, top and right-side perspective view thereof, illustrating how the claimed design may appear while in use. The broken lines in the figures illustrate portions of the bathtub brush that form no part of the claimed design. The broken-line showing of a brush handle in FIG. 9 depicts environmental structure that forms no part of the claimed design.

(Continued)

**1 Claim, 9 Drawing Sheets**



(56)

**References Cited**

U.S. PATENT DOCUMENTS

8,601,631 B1 \* 12/2013 Martin ..... A46B 13/04  
15/29  
D957,143 S \* 7/2022 Chen ..... D4/135

FOREIGN PATENT DOCUMENTS

CN 307239358 \* 4/2022  
JP D1408001 \* 2/2011  
JP D1641615 \* 9/2019

\* cited by examiner

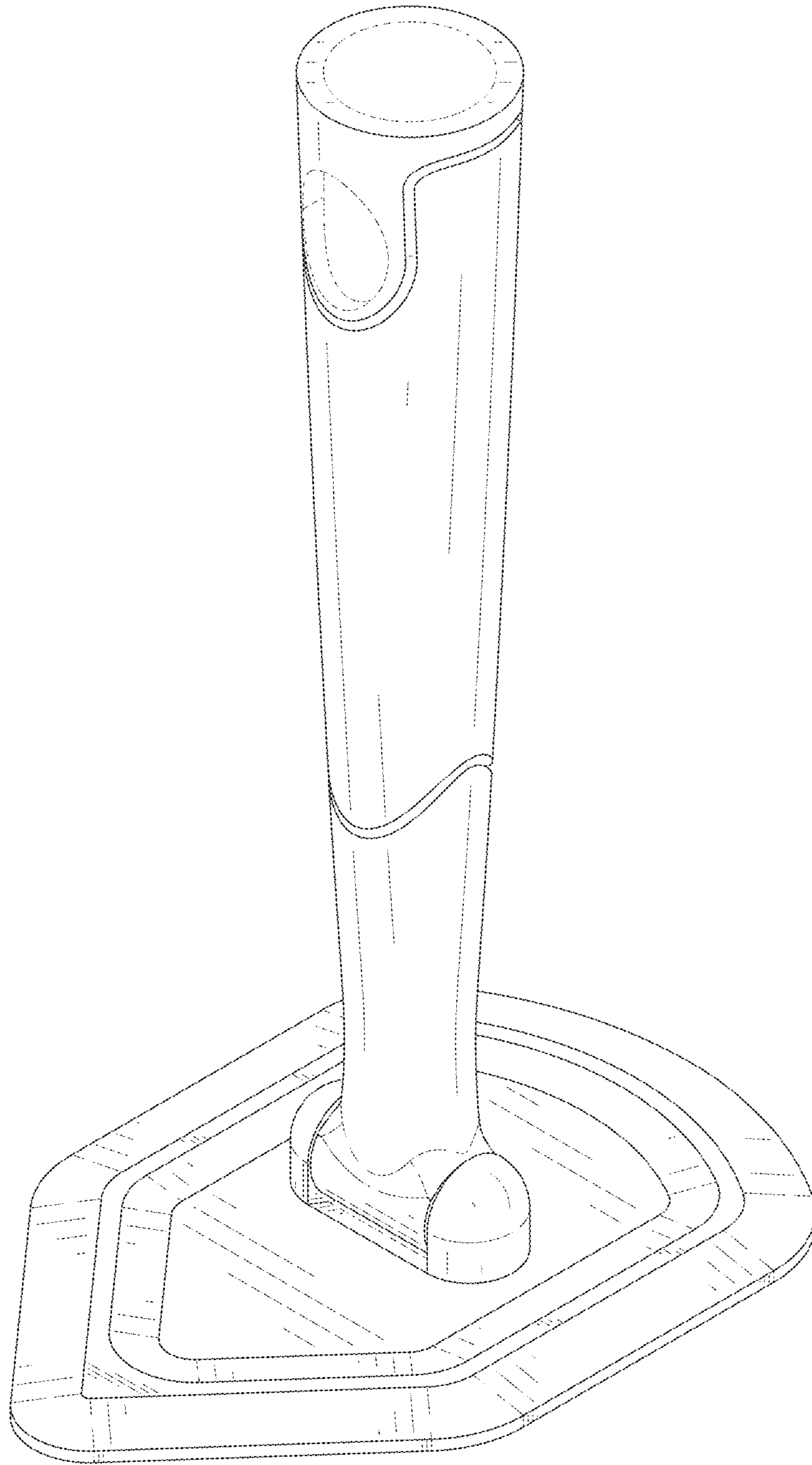


FIG. 1

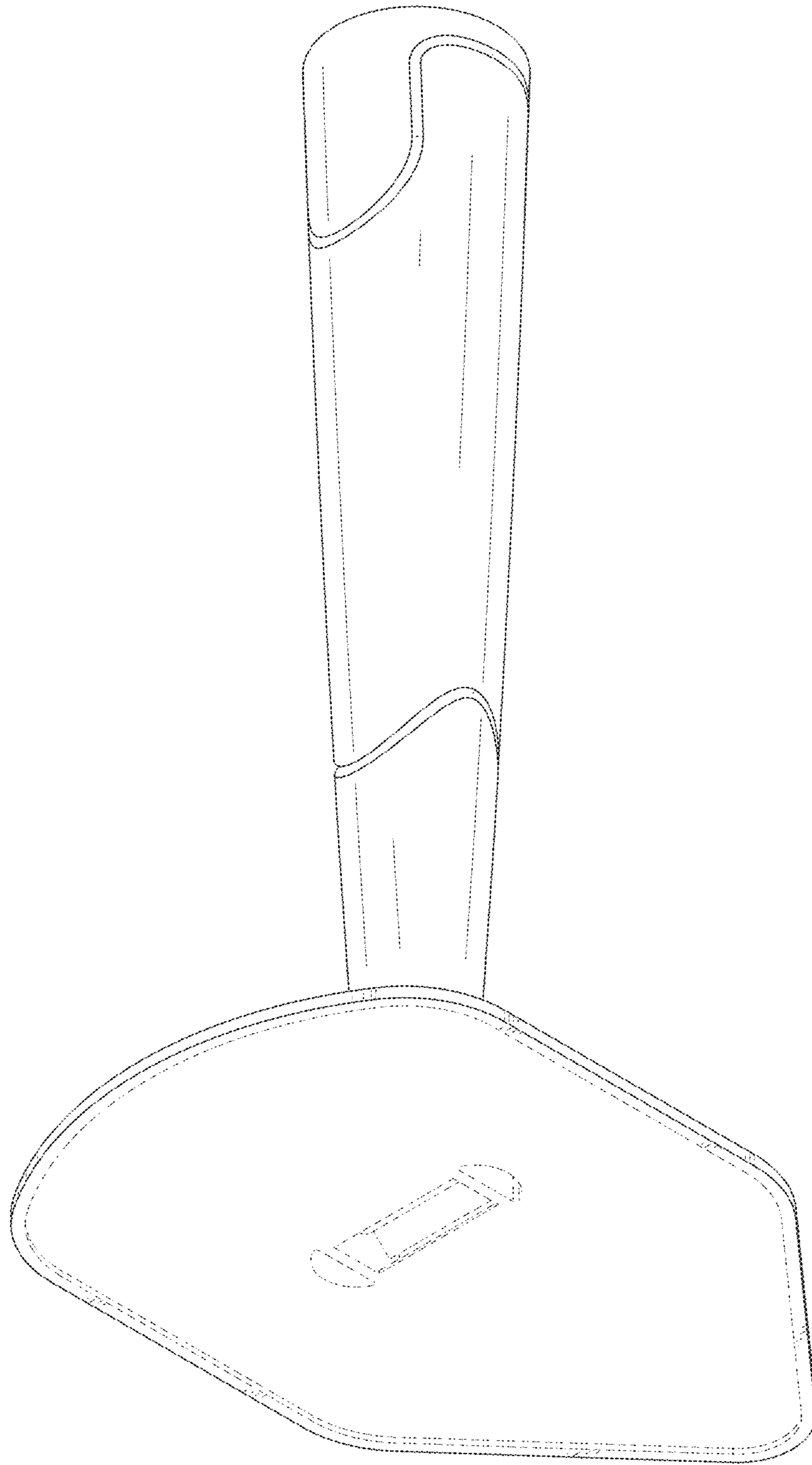


FIG. 2

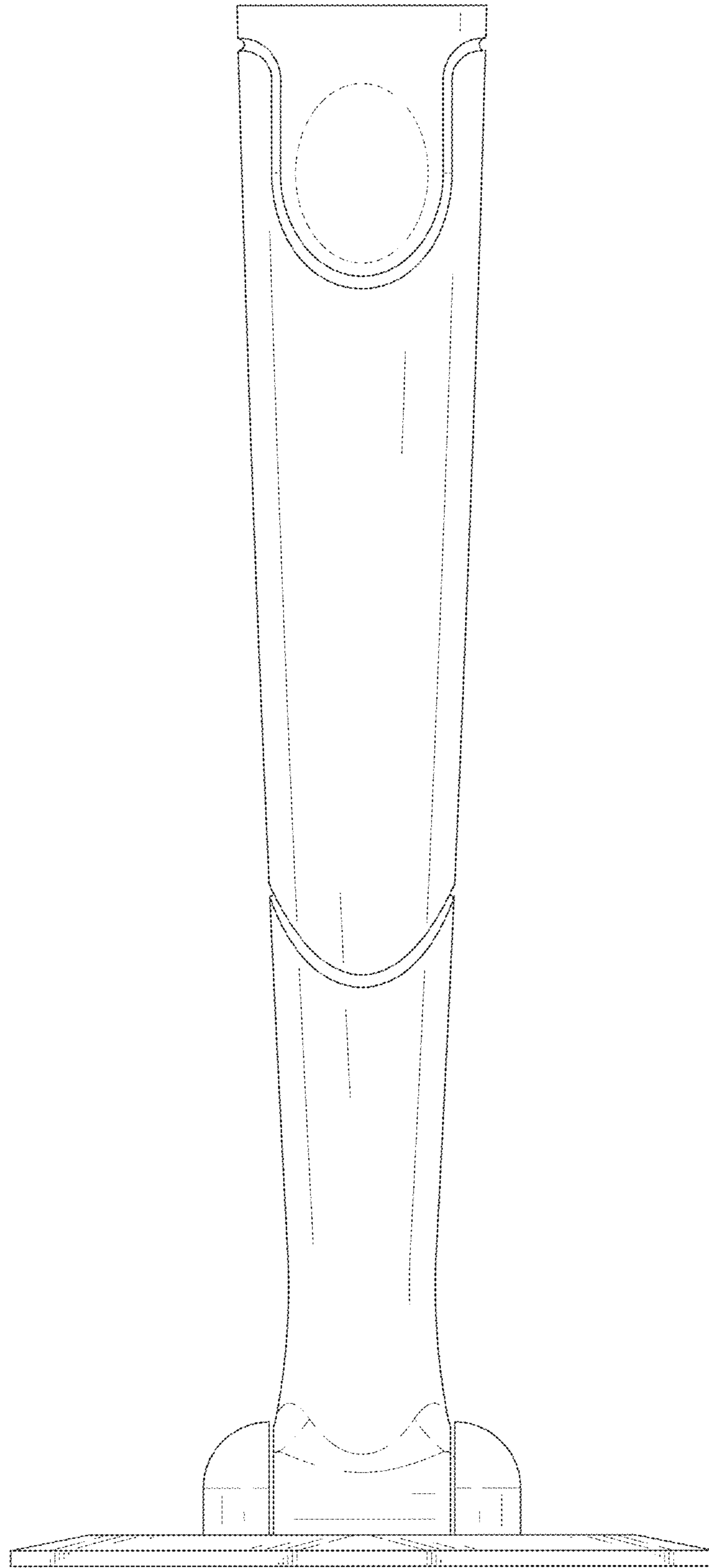


FIG. 3

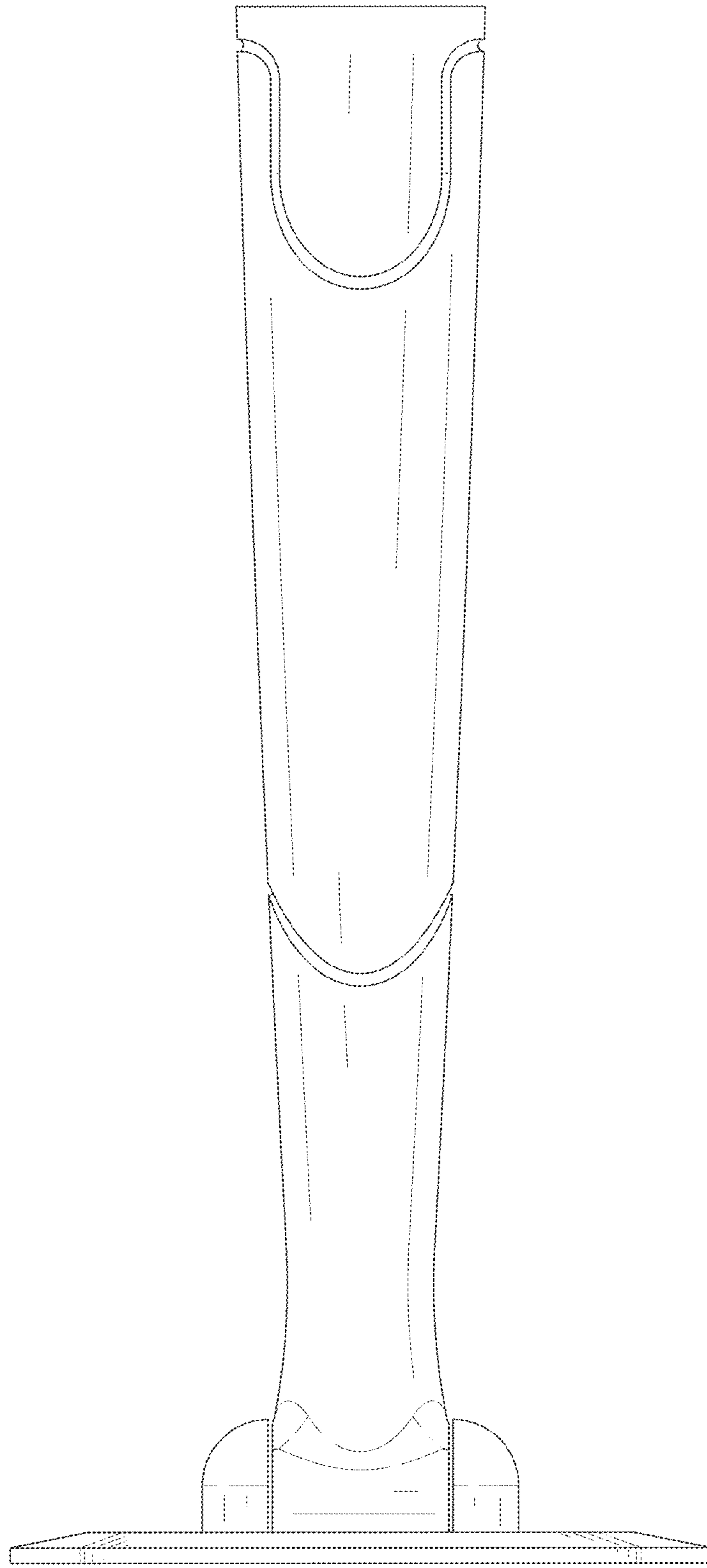


FIG. 4

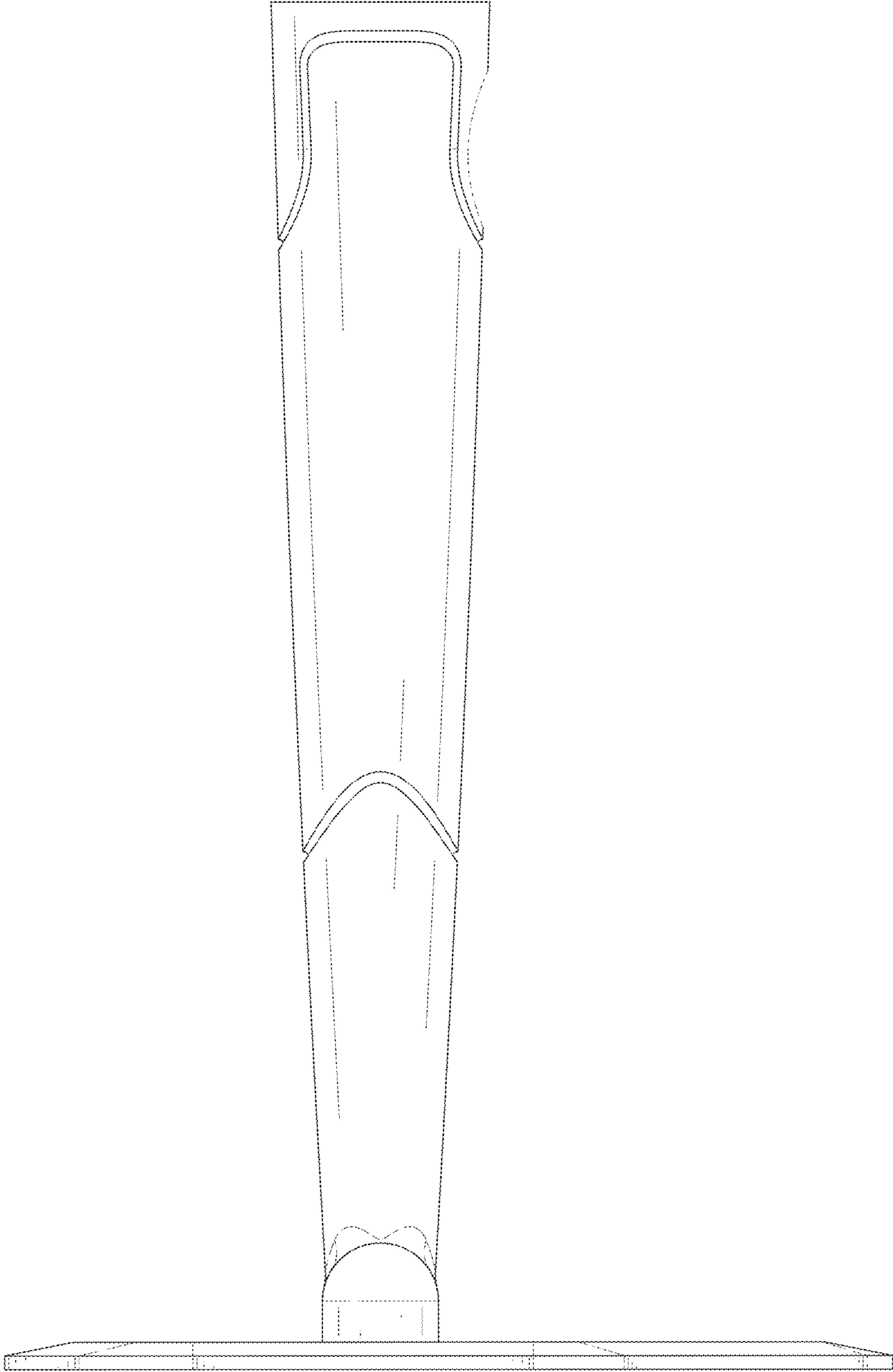


FIG. 5

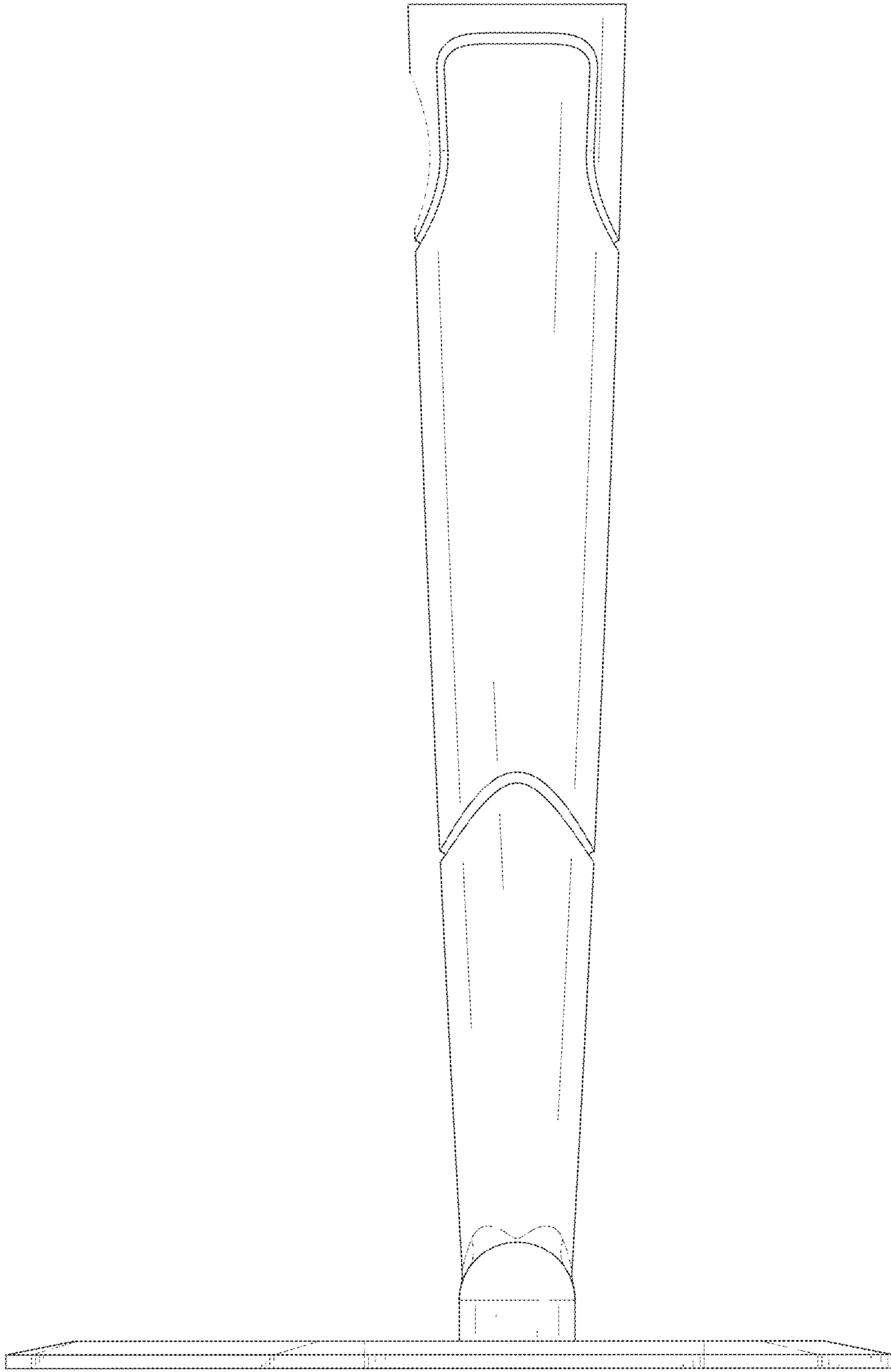


FIG. 6



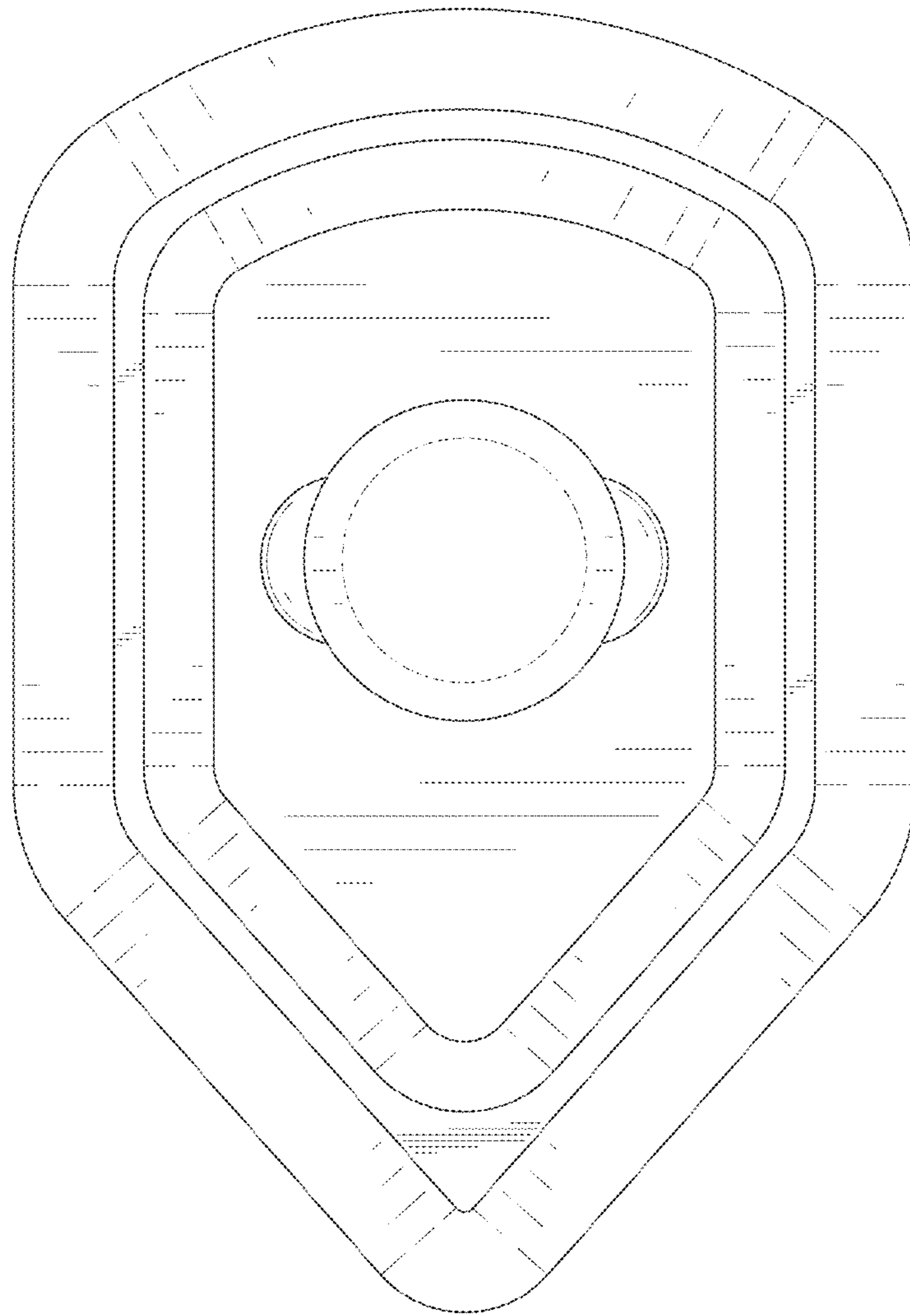


FIG. 7

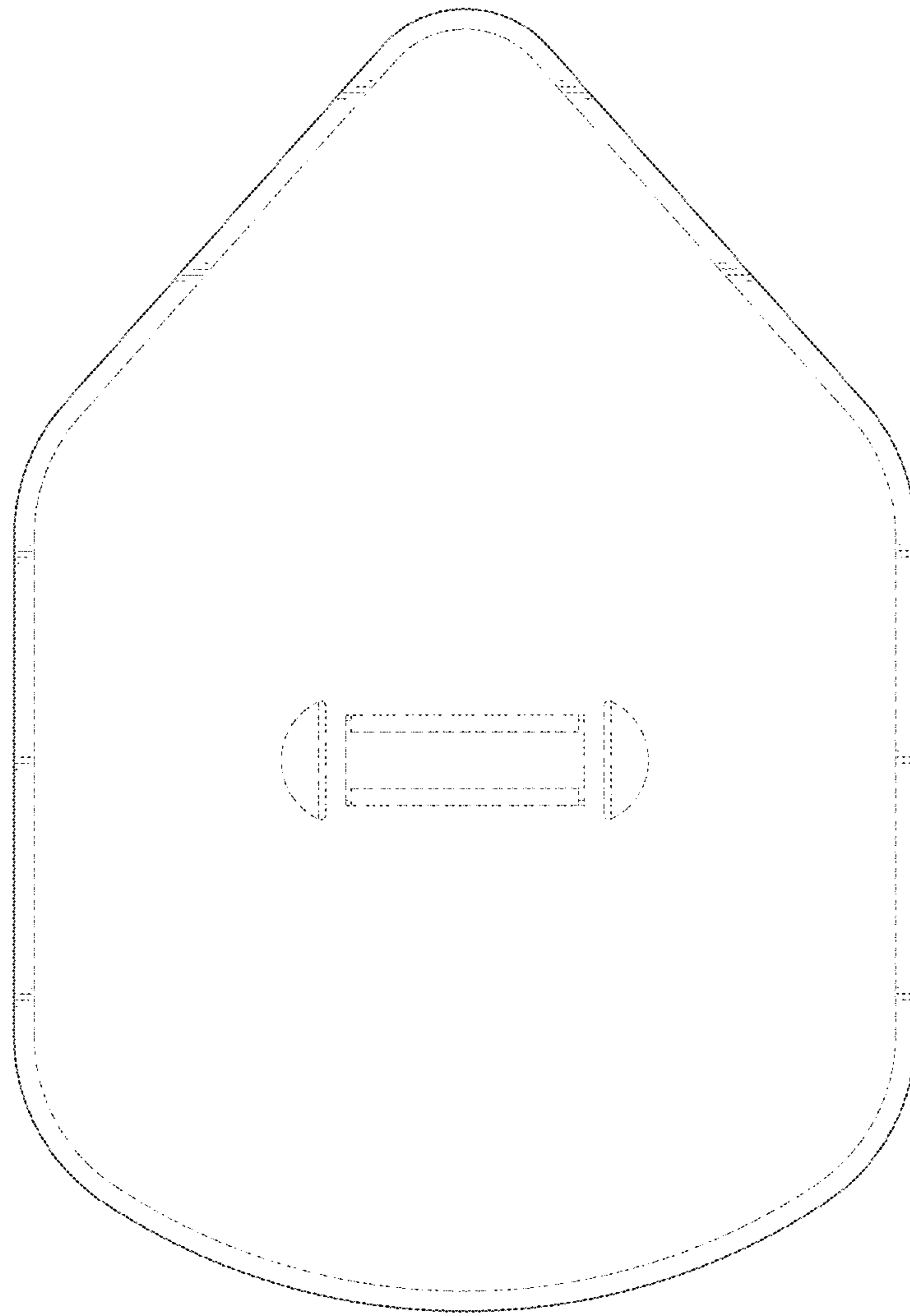


FIG. 8

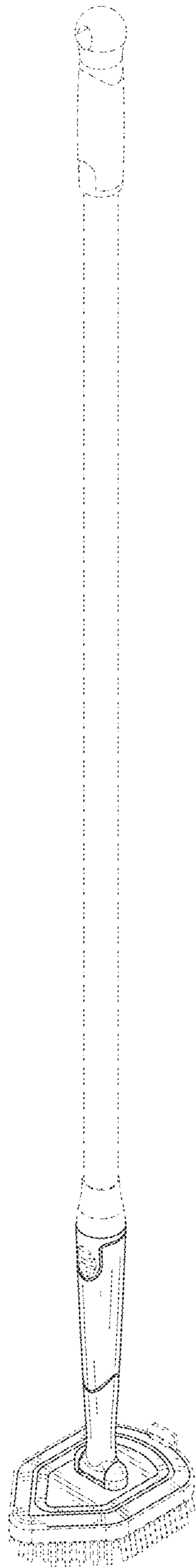


FIG. 9