



US00D982906S

(12) **United States Design Patent**  
**Zhang**

(10) **Patent No.:** **US D982,906 S**  
(45) **Date of Patent:** **\*\* Apr. 11, 2023**

(54) **CLEANING BRUSH**

(71) Applicant: **Hui Zhang**, Shenzhen (CN)

(72) Inventor: **Hui Zhang**, Shenzhen (CN)

(\*\*) Term: **15 Years**

(21) Appl. No.: **29/859,612**

(22) Filed: **Nov. 11, 2022**

(51) **LOC (14) Cl.** ..... **04-01**

(52) **U.S. Cl.**  
USPC ..... **D4/102**

(58) **Field of Classification Search**  
USPC ..... D4/100, 102, 114, 115, 116, 117, 118,  
D4/119, 120, 121, 127, 128, 129, 130,  
D4/132, 133, 134, 135, 138, 199;  
D32/14.1, 19  
CPC ..... A46B 2200/30; A46B 2200/3033; A46B  
2200/306; A46B 2200/3006; A46B  
2200/3013; A46B 2200/304; A47L 17/00  
See application file for complete search history.

(56) **References Cited**

**U.S. PATENT DOCUMENTS**

D200,092 S *	1/1965	Polatchek	.....	D32/18
D286,706 S *	11/1986	McCloskey	.....	D4/102
D300,185 S *	3/1989	Suzuki	.....	D4/102
D301,398 S *	6/1989	Cheung	.....	D32/14.1
D313,890 S *	1/1991	Machuron	.....	15/28
5,891,063 A *	4/1999	Vigil	.....	A46B 13/02
				D4/109
D515,818 S *	2/2006	Groblebe	.....	D4/115
D543,362 S *	5/2007	Hall	.....	D4/127
7,266,858 B2 *	9/2007	Cronin	.....	A46B 17/06
				D4/118
D825,187 S	8/2018	Luo		
D932,778 S *	10/2021	Jing	.....	D4/102
D951,655 S	5/2022	Joseph		

D964,750 S *	9/2022	Mei	.....	D4/127
D972,307 S *	12/2022	Liang	.....	D4/102
2007/0262175 A1 *	11/2007	Fan	.....	A46B 11/066
				239/525

**FOREIGN PATENT DOCUMENTS**

CN	305729291	*	4/2020
CN	306185588	*	11/2020
CN	307546733	*	9/2022
EM	009057409-0001	*	6/2022
EM	015003022-0001	*	11/2022
KR	300512941.0000	*	11/2008

\* cited by examiner

*Primary Examiner* — Karen E Eldridge Powers  
(74) *Attorney, Agent, or Firm* — Georgi Korobanov

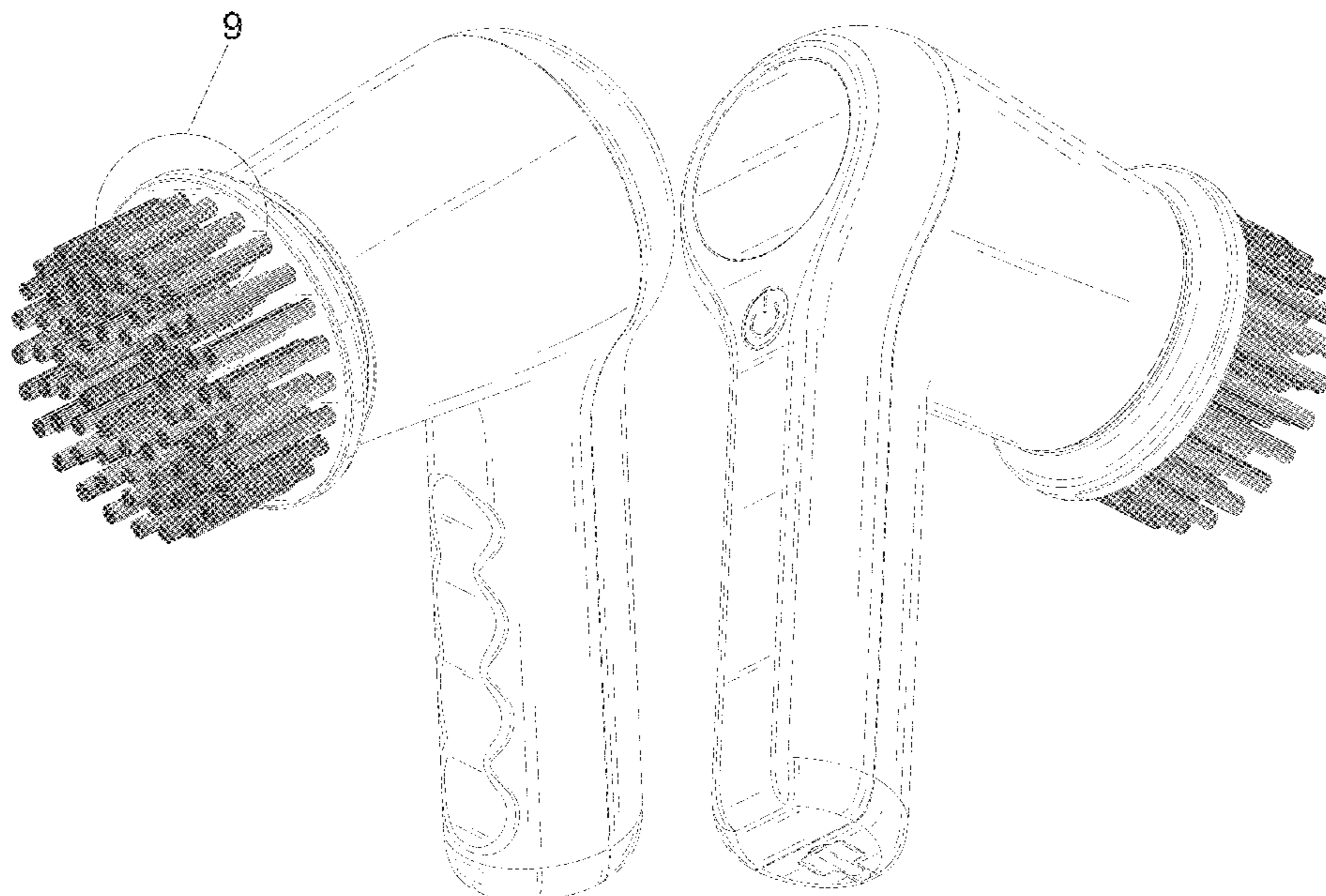
(57) **CLAIM**

The ornamental design for a cleaning brush, as shown and described.

**DESCRIPTION**

FIG. 1 is a front, right and top perspective view of a cleaning brush, showing my new design;  
FIG. 2 is a rear, left and bottom perspective view thereof;  
FIG. 3 is a front view thereof;  
FIG. 4 is a rear view thereof;  
FIG. 5 is a left side view thereof;  
FIG. 6 is a right side view thereof;  
Fig. 7 is a top plan view thereof;  
FIG. 8 is a bottom plan view thereof; and,  
FIG. 9 is an enlarged view of portion 9 shown in FIG. 1.  
The broken lines shown in the drawings illustrate portions of the cleaning brush that form no part of the claimed design.

**1 Claim, 9 Drawing Sheets**



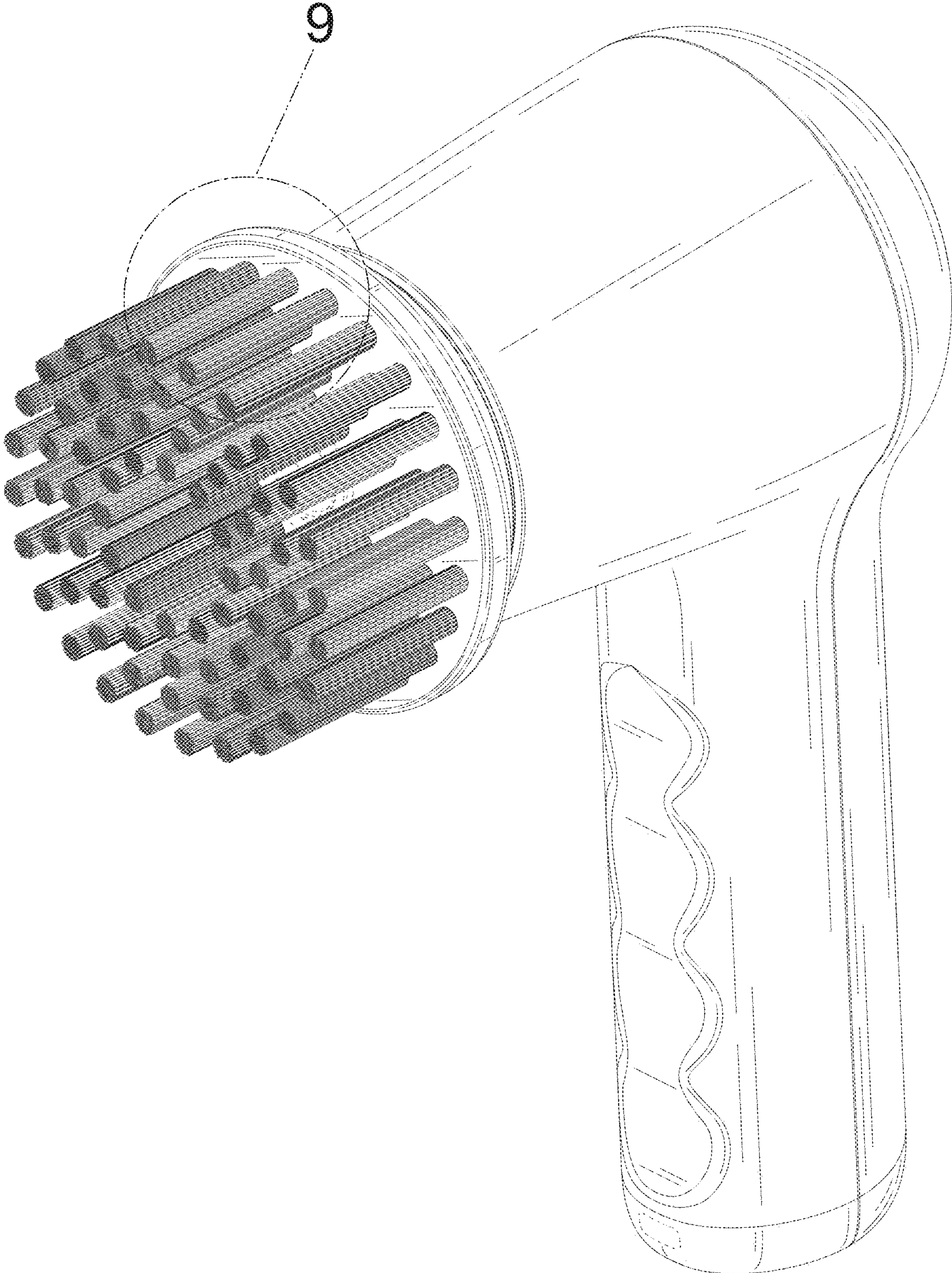


FIG. 1

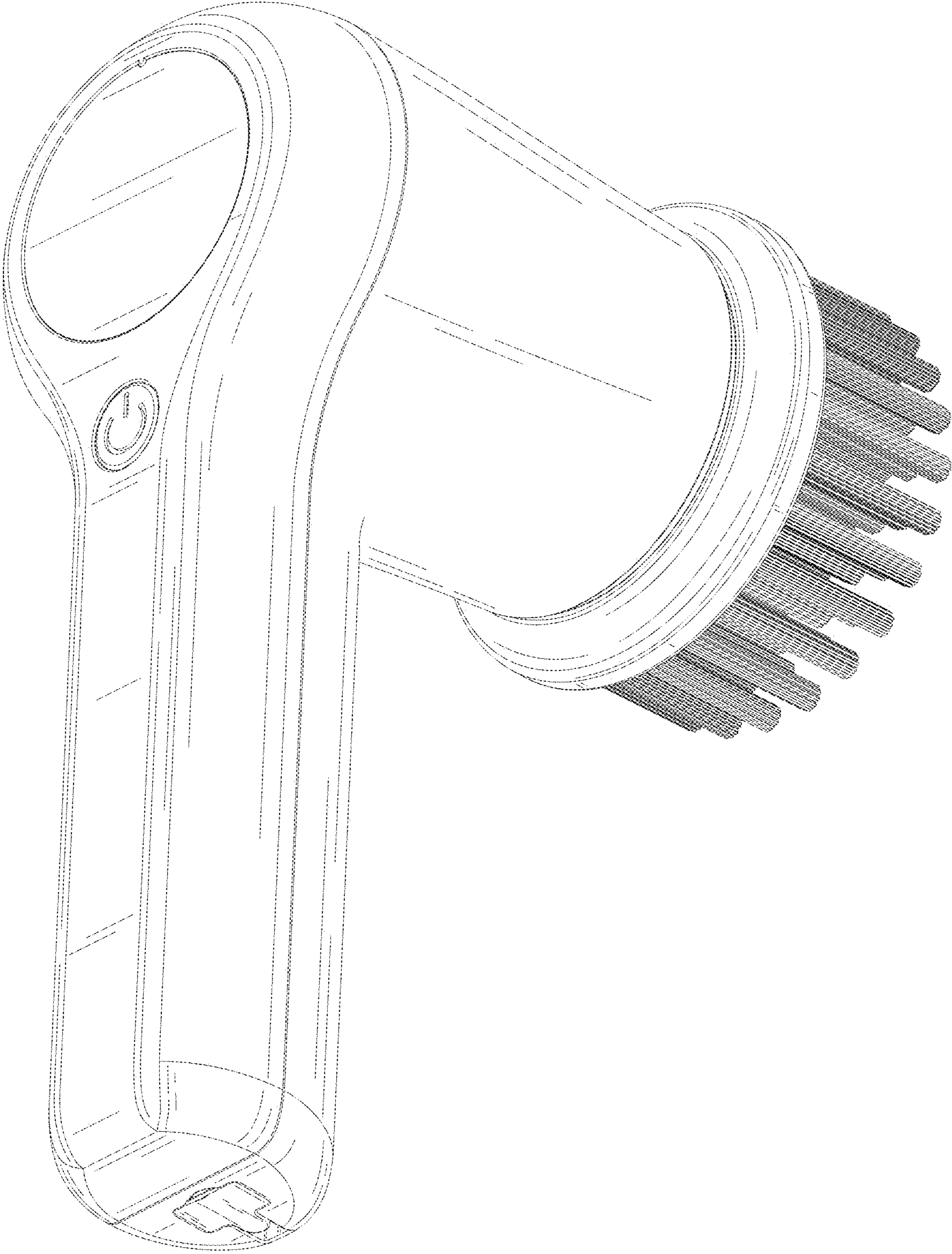


FIG. 2

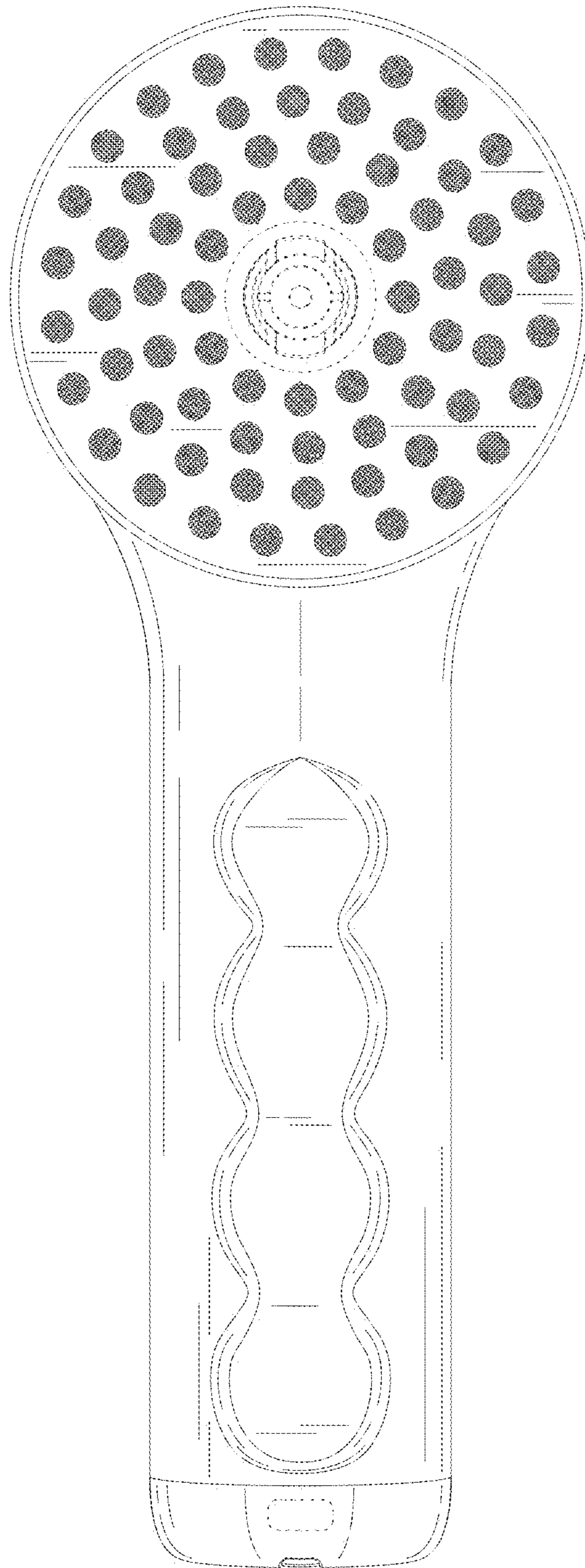


FIG. 3

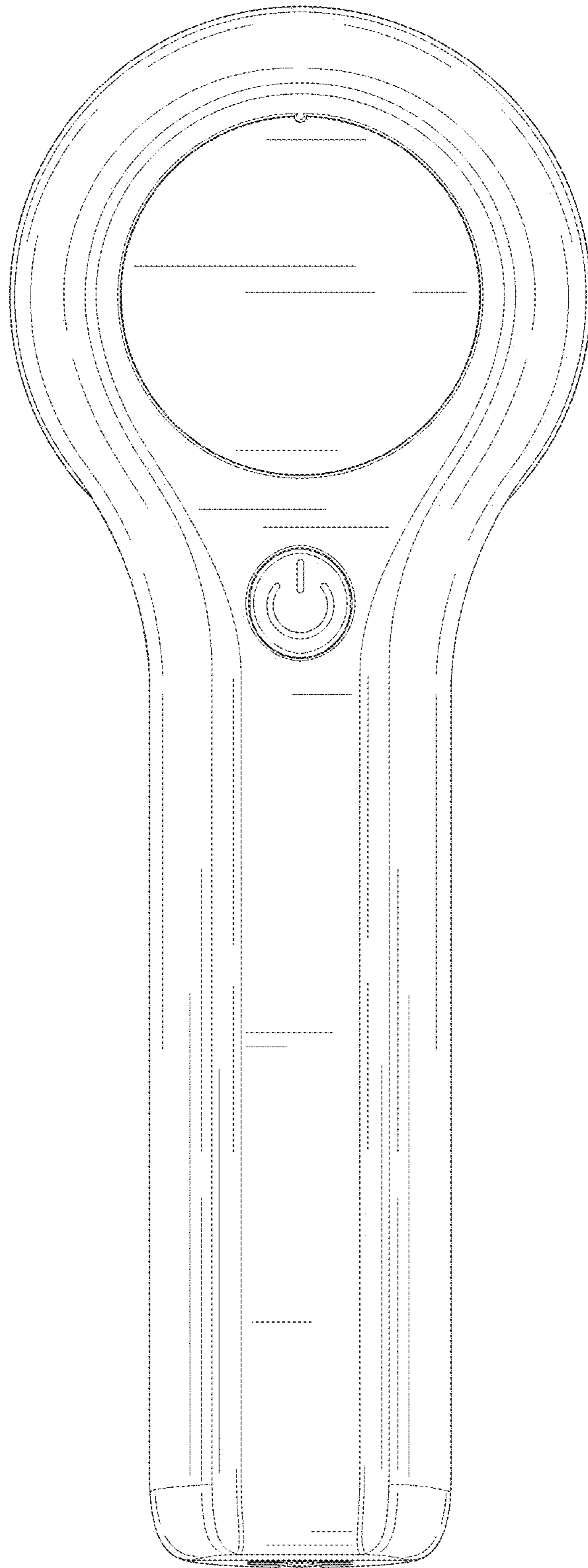


FIG. 4

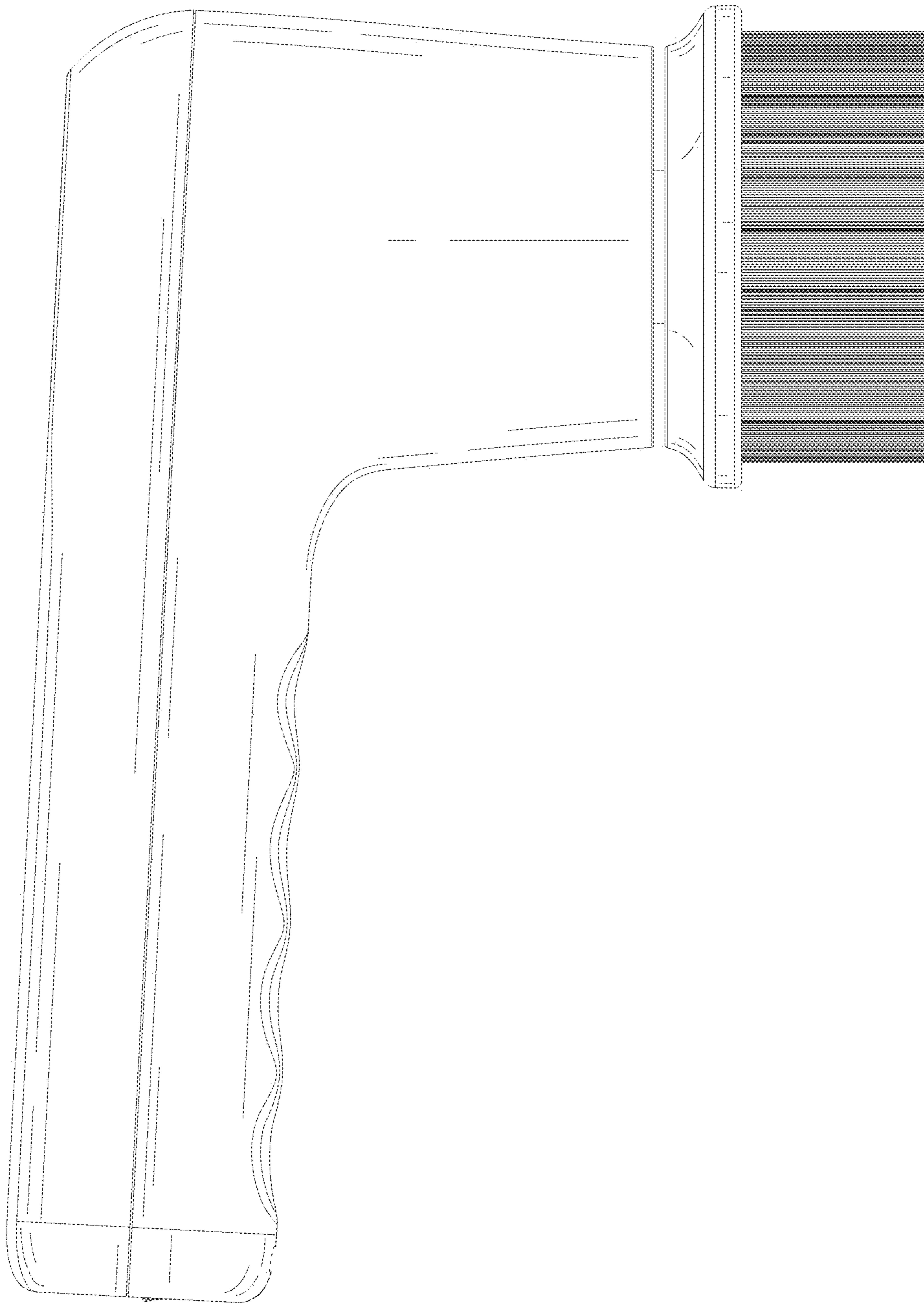


FIG. 5

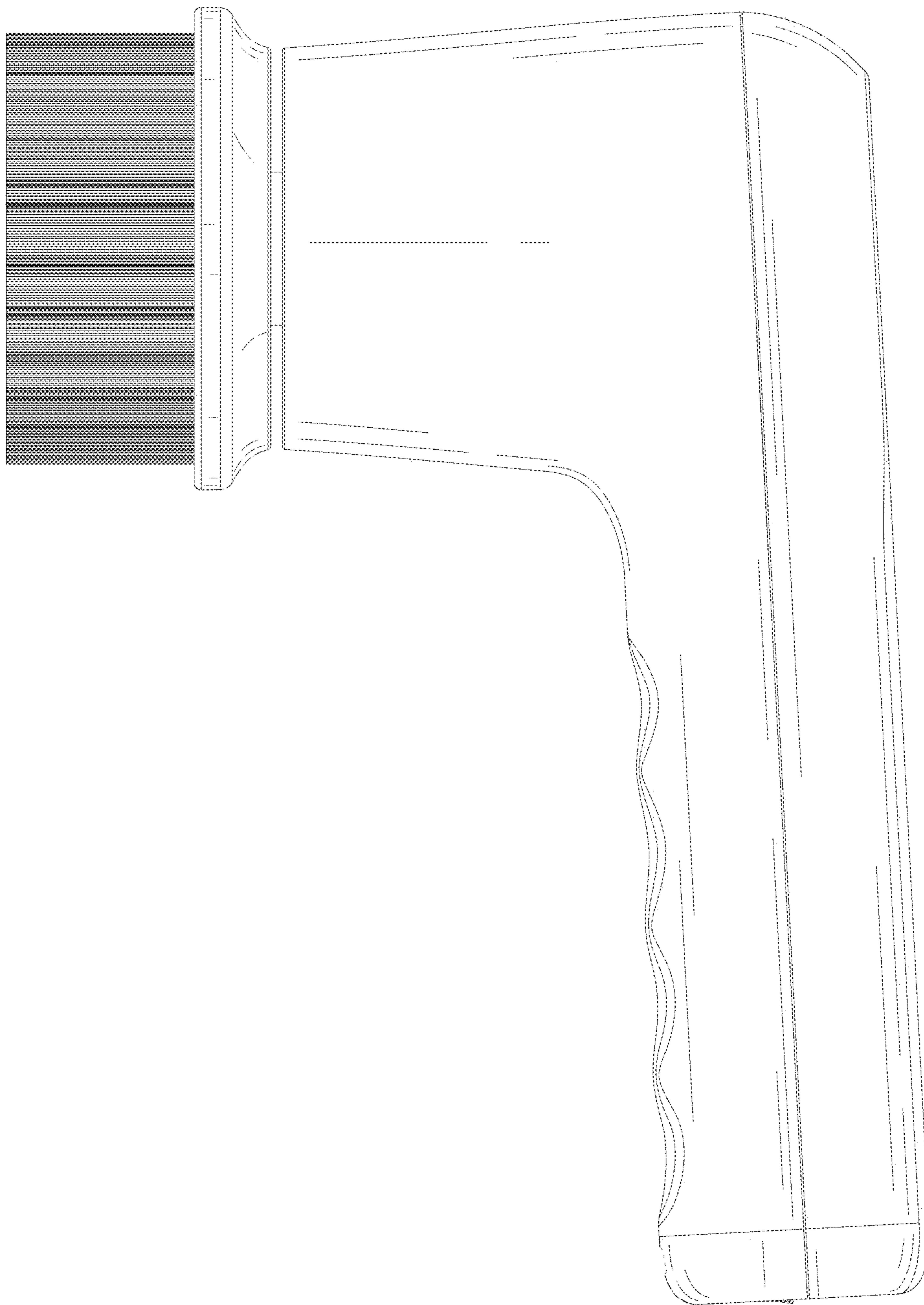


FIG. 6

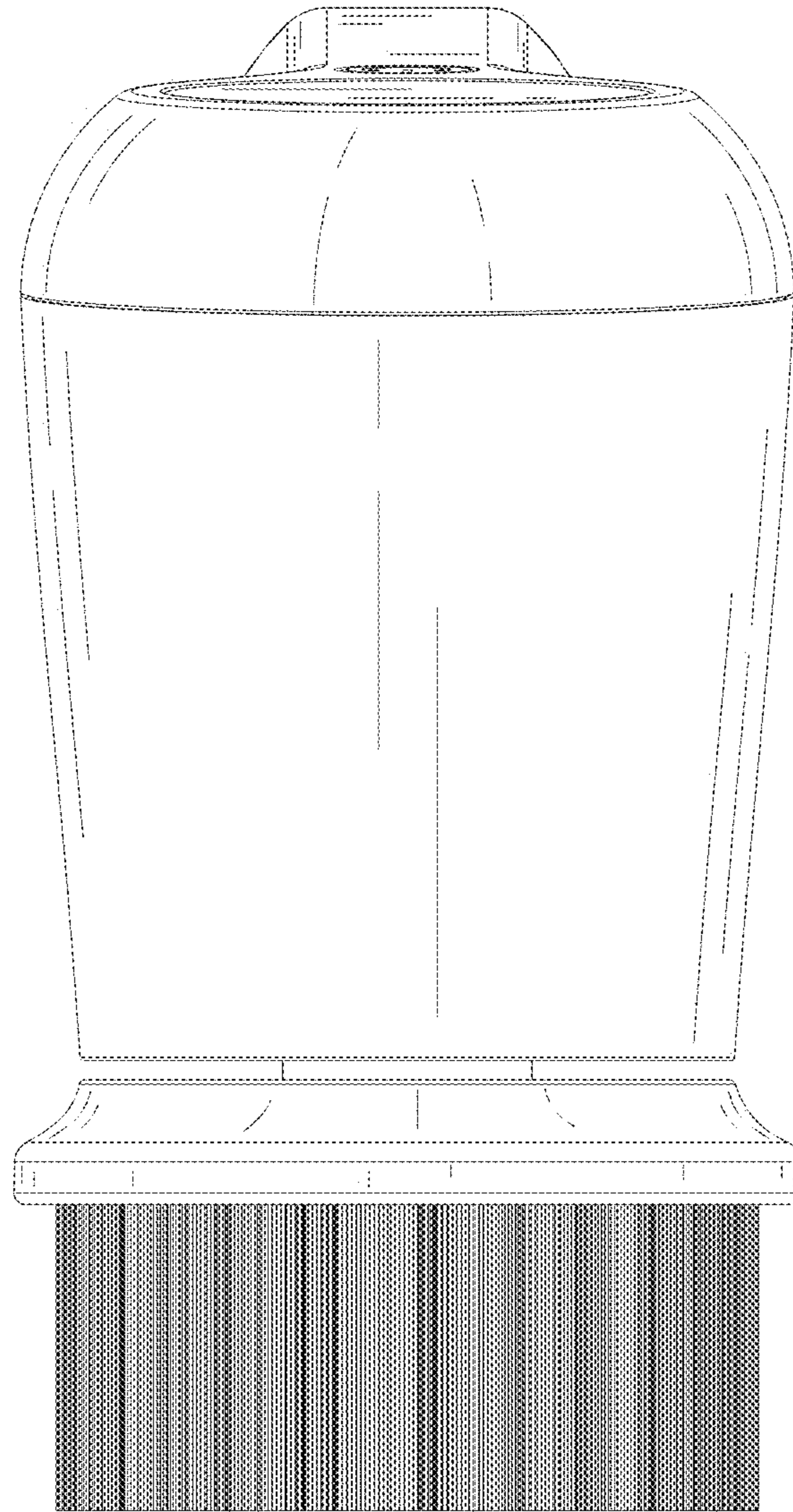


FIG. 7



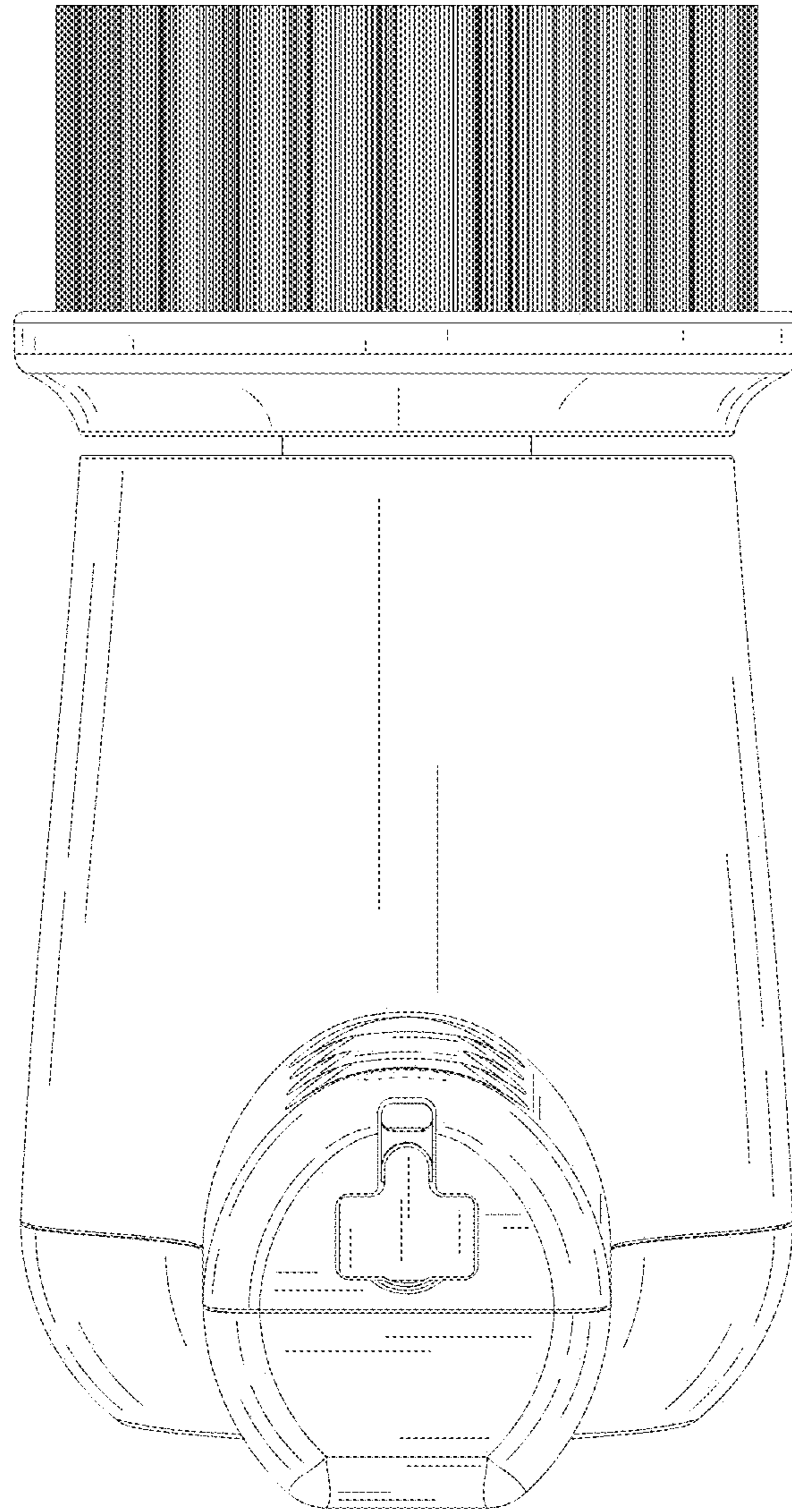


FIG. 8

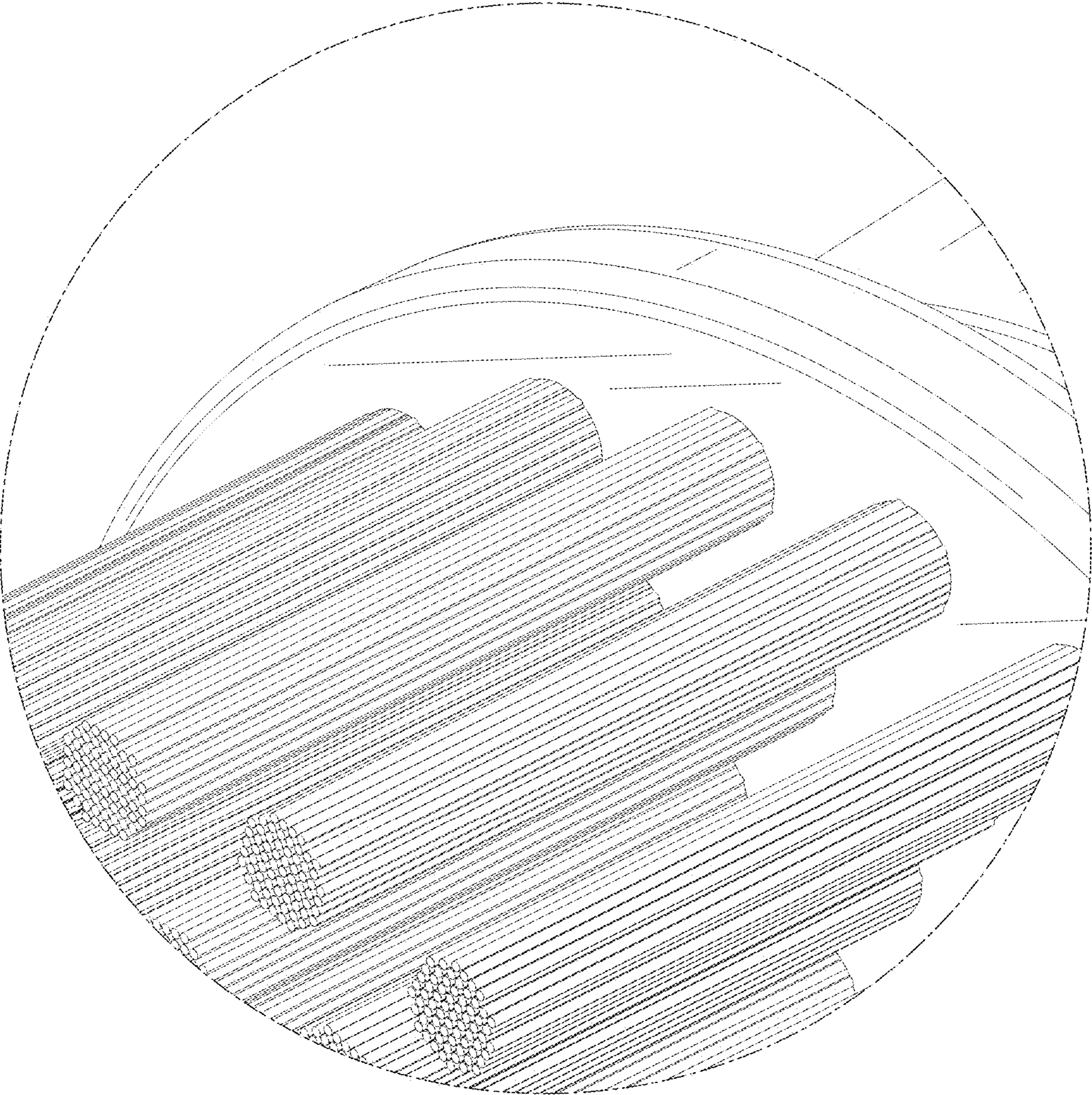


FIG. 9