



US00D982905S

(12) **United States Design Patent** (10) **Patent No.:** **US D982,905 S**  
**Liu** (45) **Date of Patent:** **\*\* Apr. 11, 2023**

(54) **TOOTHBRUSH HEAD** D950,959 S \* 5/2022 Liu ..... D4/101  
(71) Applicant: **Guangdong Meihong Dental Technology Co., Ltd., Guangdong (CN)** (Continued)

FOREIGN PATENT DOCUMENTS

(72) Inventor: **Yafei Liu, Guangdong (CN)** CN 3308230 \* 7/2003  
(73) Assignee: **Guangdong Meihong Dental Technology Co., Ltd., Guangdong (CN)** CN 3312972 \* 8/2003  
(Continued)

OTHER PUBLICATIONS

(\*\*) Term: **15 Years**  
(21) Appl. No.: **29/882,303**  
(22) Filed: **Jan. 12, 2023**  
(51) **LOC (14) Cl.** ..... **04-02**  
(52) **U.S. Cl.**  
USPC ..... **D4/101; D4/100; D4/113**  
(58) **Field of Classification Search**  
USPC ..... D4/100, 101, 104, 110, 113, 121, 130, D4/132, 134, 138, 199; D24/176  
CPC .... A46B 1/00; A46B 3/00; A46B 5/00; A46B 5/0025; A46B 5/0029; A46B 5/0033; A46B 5/0062; A46B 5/0075; A46B 5/0095; A46B 7/00; A46B 7/04; A46B 7/044; A46B 7/06; A46B 7/10; A46B 9/00; A46B 9/02; A46B 9/026; A46B 9/04; A46B 9/045; A46B 13/00; A46B 13/001; A46B 13/02; A46B 13/023; A46B 13/08; A46B 2200/00; A46B 2200/10; A46B 2200/1066; A46B 2200/1073; A46B 2200/108; A46B 2200/1086; A46D 1/02; A46D 3/00; A46D 3/005; A61C 15/045; A61C 17/00; G09B 19/0084  
See application file for complete search history.

Philips Sonicare Genuine E-Series Replacement Toothbrush Heads, earliest review Sep. 28, 2017 [online], [retrieved Jan. 3, 2023]. Retrieved from internet, <https://www.amazon.com/dp/B0085RZKR8/> (Year: 2017).\*

(Continued)

*Primary Examiner* — Alison M Ofstun  
*Assistant Examiner* — Evin Franklin George Ershock  
(74) *Attorney, Agent, or Firm* — ScienBiziP, P.C.

(57) **CLAIM**

The ornamental design for a toothbrush head, as shown and described.

**DESCRIPTION**

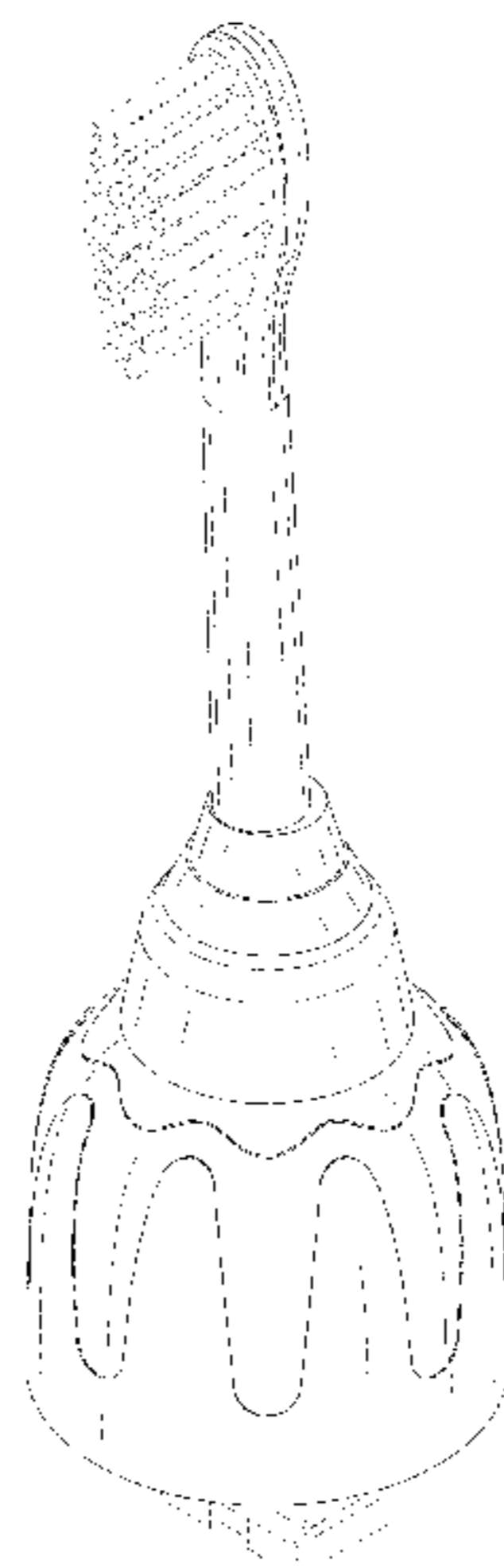
FIG. 1 is a front, right and top perspective view of a toothbrush head, showing my design.  
FIG. 2 is a rear, left and bottom perspective view thereof.  
FIG. 3 is a front elevation view thereof.  
FIG. 4 is a rear elevation view thereof.  
FIG. 5 is a left side elevation view thereof.  
FIG. 6 is a right side elevation view thereof.  
FIG. 7 is a top plan view thereof; and,  
FIG. 8 is a bottom plan view thereof.  
The broken lines depict portions of the toothbrush head that form no part of the claimed design.

**1 Claim, 8 Drawing Sheets**

(56) **References Cited**

U.S. PATENT DOCUMENTS

D476,485 S \* 7/2003 Mulder ..... D4/101  
D478,423 S \* 8/2003 Mulder ..... D4/101  
D480,875 S 10/2003 De Salvo  
D572,007 S \* 7/2008 Lamason ..... A61C 17/3418  
D4/101  
D598,653 S \* 8/2009 Crossman ..... D4/101  
D887,719 S \* 6/2020 Kuang ..... D4/101  
11,207,162 B1 \* 12/2021 Liu ..... A61C 17/26



(56)

**References Cited**

U.S. PATENT DOCUMENTS

D951,651 S 5/2022 Veronneau  
 D954,443 S \* 6/2022 Huang ..... D4/101  
 D959,149 S \* 8/2022 Cao ..... A61C 15/047  
 D4/101  
 2008/0028548 A1\* 2/2008 Hall ..... A46B 7/06  
 15/207.2  
 2010/0037912 A1\* 2/2010 Baughman ..... A61C 15/047  
 132/323  
 2018/0185128 A1\* 7/2018 Dai ..... A61C 17/3418

FOREIGN PATENT DOCUMENTS

GB 3008115 \* 12/2002  
 GB 3008116 \* 12/2002

OTHER PUBLICATIONS

High Quality Replacement Sonic Electric Toothbrush Heads, posting date unknown [online], [retrieved Jan. 3, 2023]. Retrieved from internet, [https://www.alibaba.com/product-detail/High-Quality-Replacement-Sonic-Electric-Toothbrush\\_1600659238428.html](https://www.alibaba.com/product-detail/High-Quality-Replacement-Sonic-Electric-Toothbrush_1600659238428.html) (Year: 2023).\*

Replacement Toothbrush Heads Compatible with Philips Sonicare Screw-on E-Series Electric Rechargeable Toothbrush, posted Oct. 9, 2021 [online], [retrieved Jan. 3, 2023]. Retrieved from internet, <https://www.amazon.com/dp/B09H5Q3MWB> (Year: 2021).\*

Replacement Toothbrush Heads for Philips Sonicare E-Series, posted Oct. 25, 2017 [online], [retrieved Jan. 3, 2023]. Retrieved from internet, <https://www.amazon.com/dp/B075J9QND2/> (Year: 2017).\*

\* cited by examiner

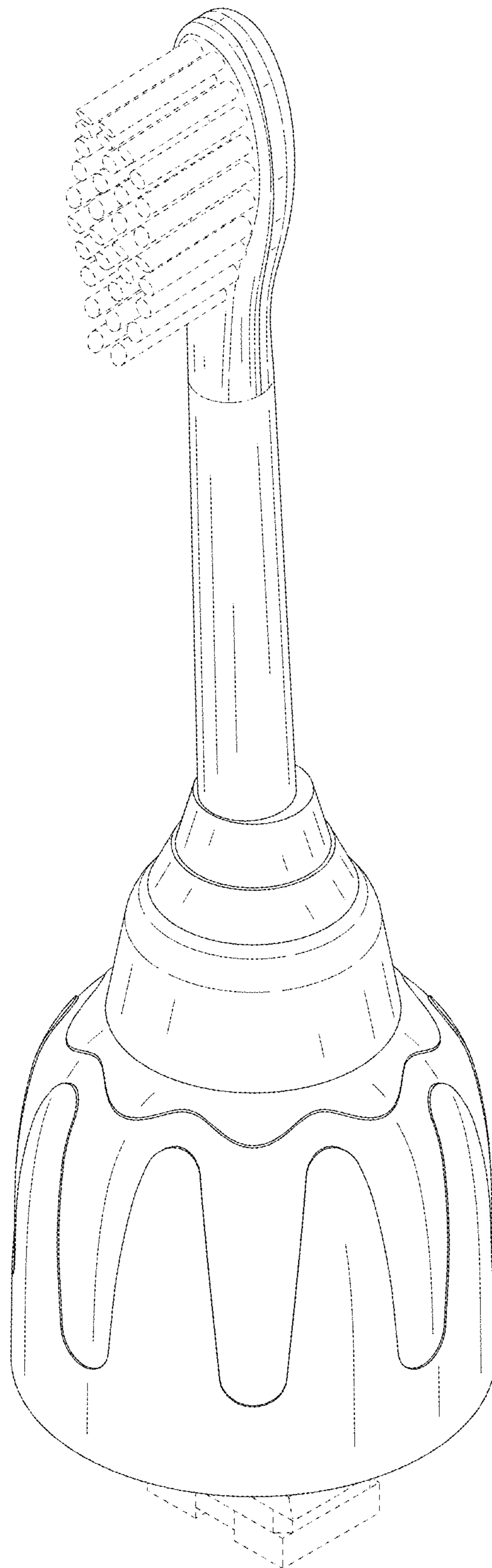


FIG. 1

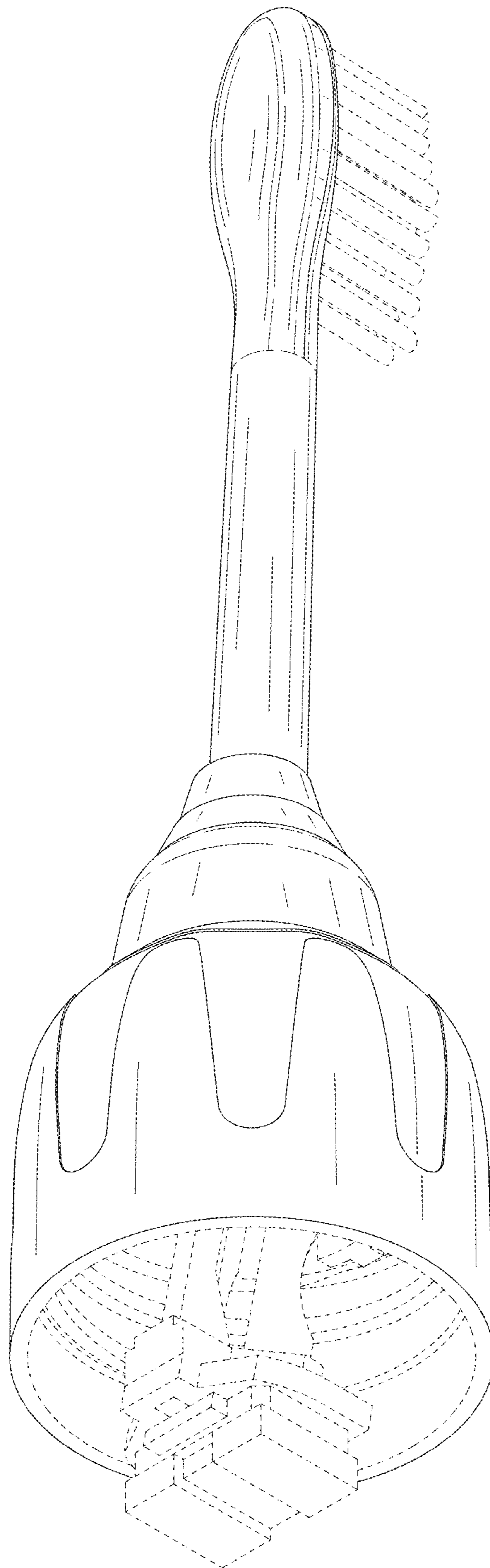


FIG. 2

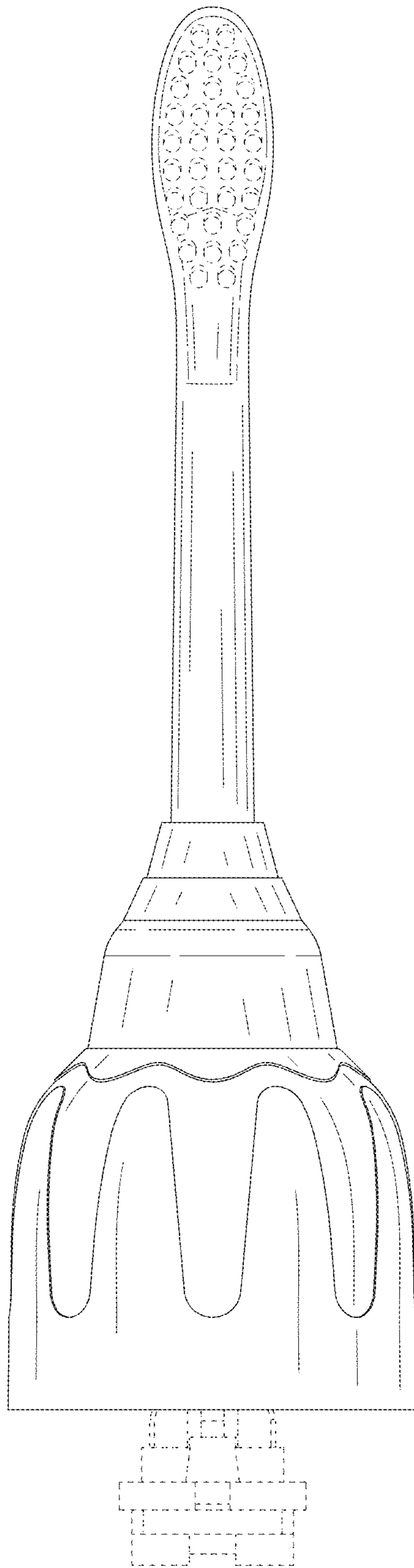


FIG. 3

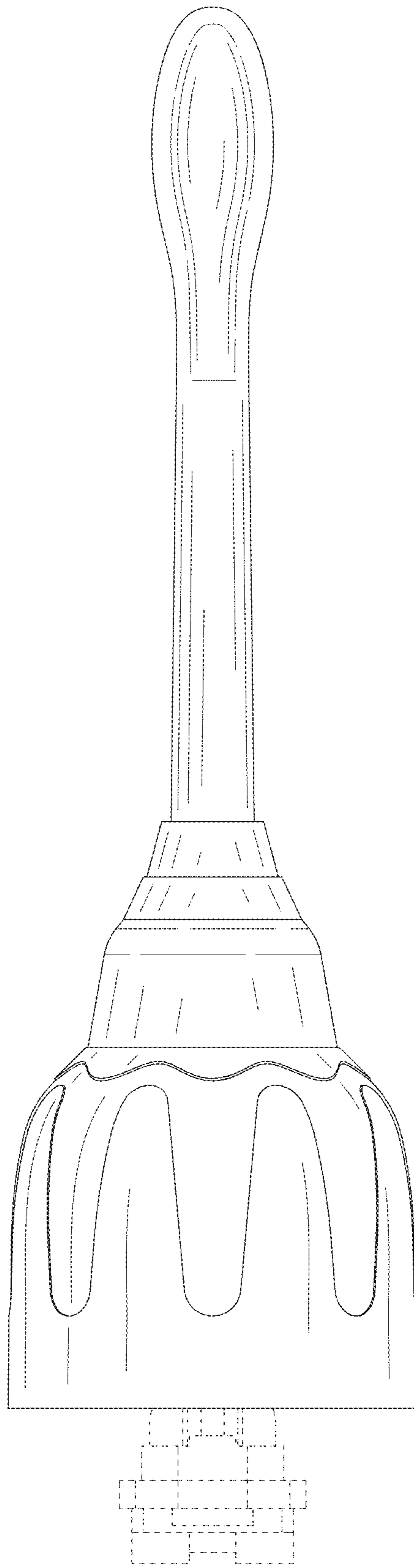


FIG. 4

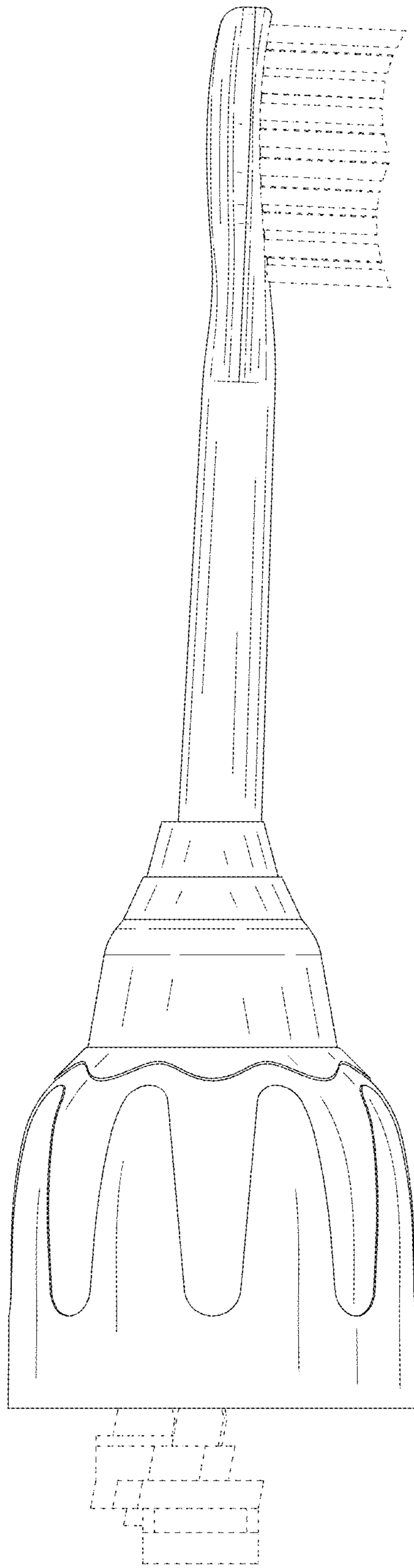


FIG. 5

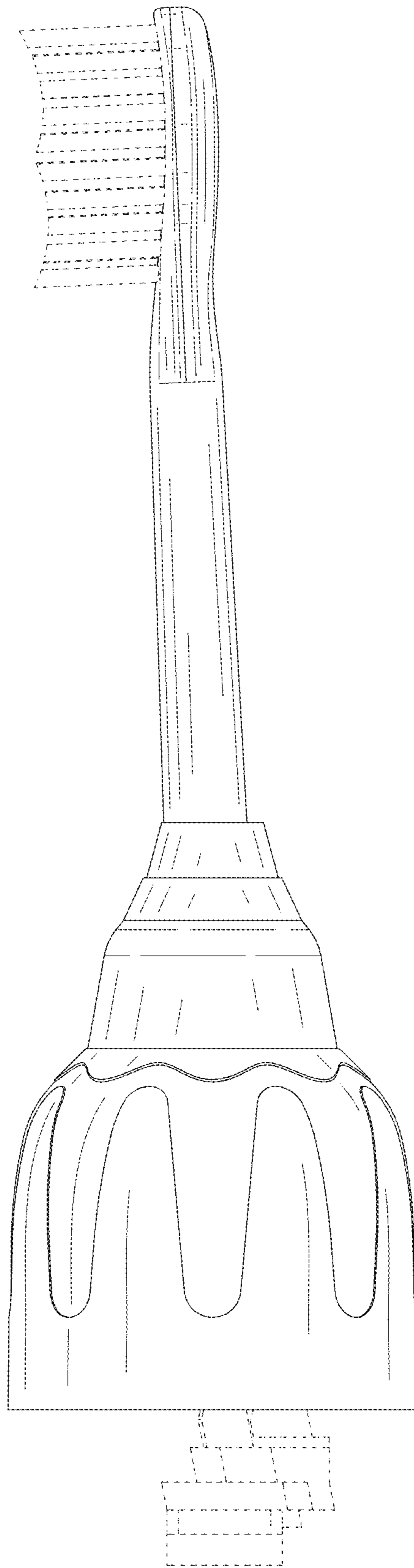


FIG. 6



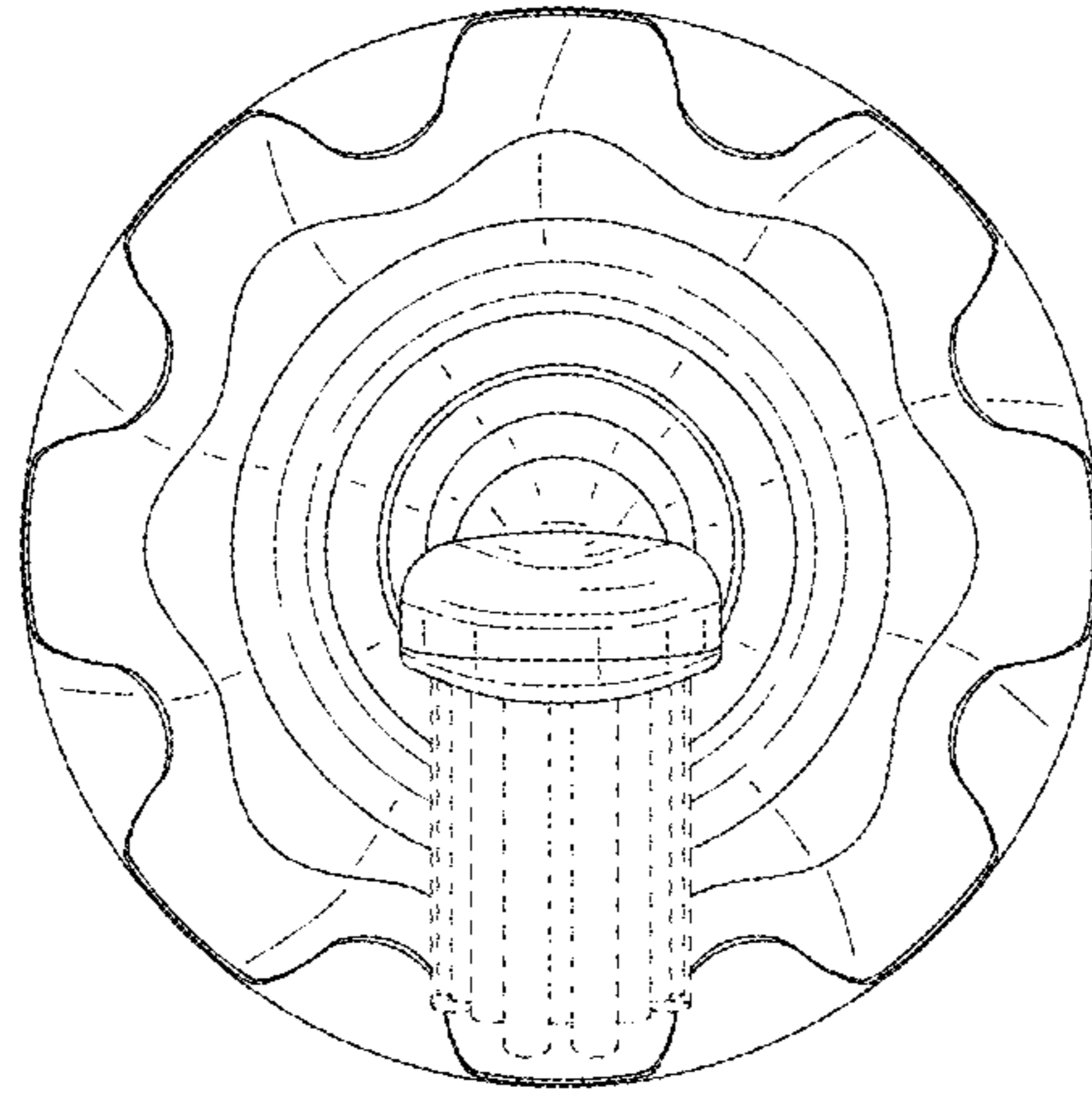


FIG. 7

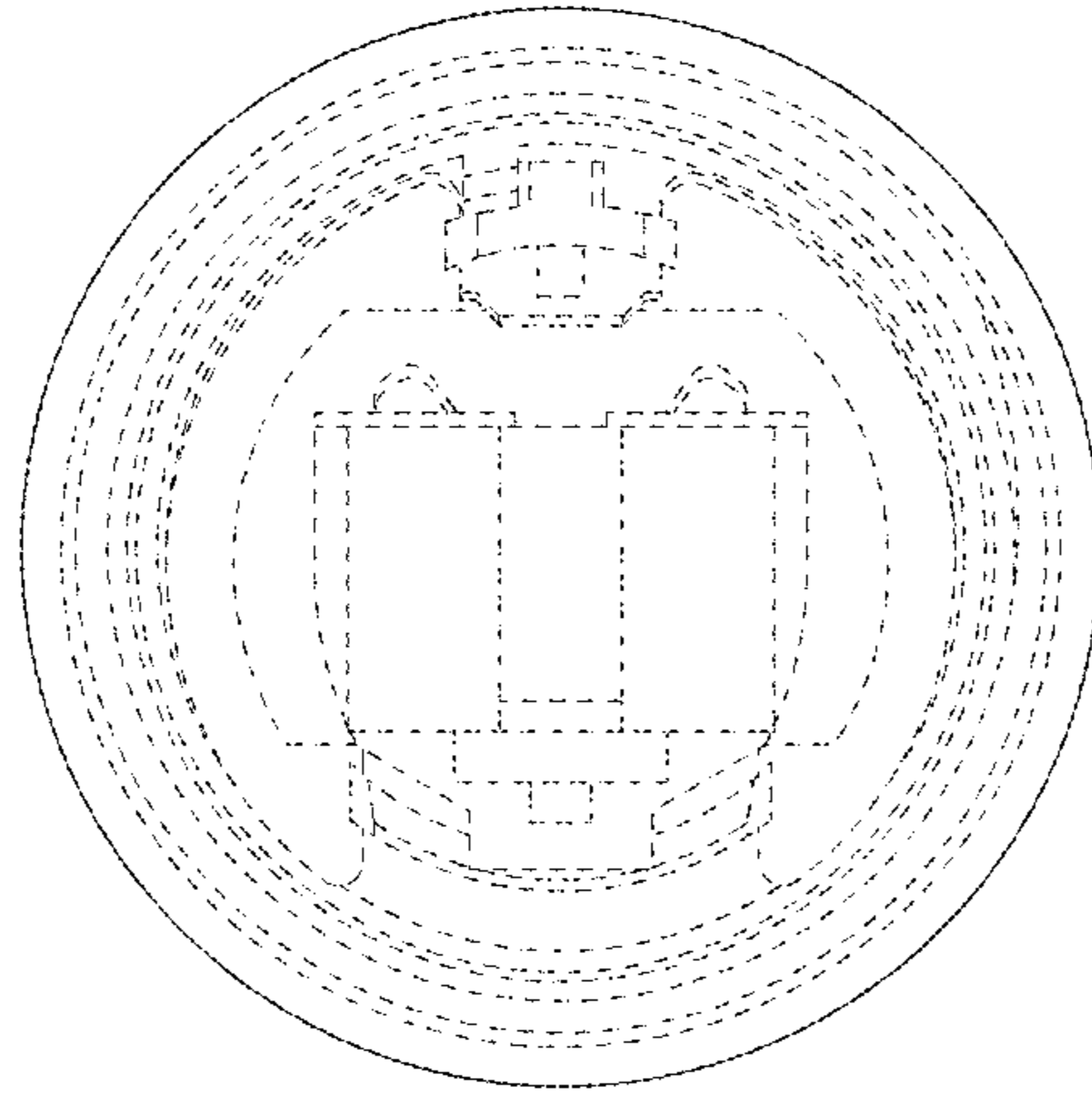


FIG. 8