



US00D982904S

(12) **United States Design Patent** (10) **Patent No.:** **US D982,904 S**
Cugno (45) **Date of Patent:** **** Apr. 11, 2023**

(54) **SHOE CASE**
(71) Applicant: **LEIGH ShoeCase Company, LLC**,
Westerly, RI (US)
(72) Inventor: **Tracey Cugno**, Westerly, RI (US)
(73) Assignee: **LEIGH ShoeCase Company, LLC**,
Westerly, RI (US)

Primary Examiner — Charles D Hanson
(74) *Attorney, Agent, or Firm* — Amster, Rothstein &
Ebenstein LLP

(**) Term: **15 Years**
(21) Appl. No.: **29/687,239**
(22) Filed: **Apr. 11, 2019**
(51) **LOC (14) Cl.** **03-03**
(52) **U.S. Cl.**
USPC **D3/317**
(58) **Field of Classification Search**
USPC D3/317
CPC A45C 13/02; A45C 5/00; A45C 3/00
See application file for complete search history.

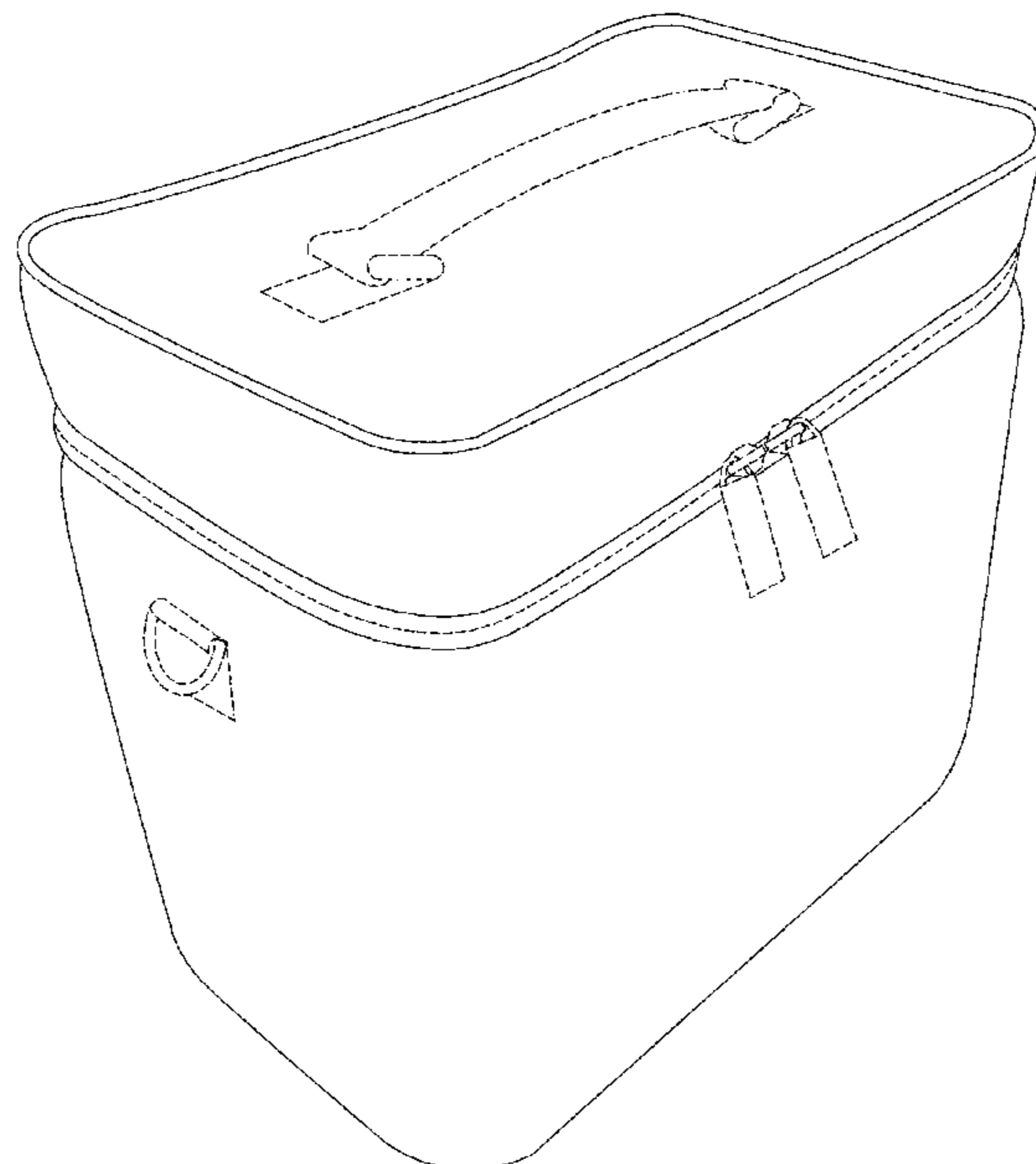
(57) **CLAIM**
The ornamental design for a shoe case, as shown and
described.

(56) **References Cited**
U.S. PATENT DOCUMENTS
4,752,008 A * 6/1988 Pratt A45C 13/02
190/110
D446,936 S * 8/2001 Sanderson D3/276
D727,025 S * 4/2015 Dreyer D3/290
D756,653 S * 5/2016 Rodriguez D3/317
D762,385 S * 8/2016 Horner D3/285
D779,208 S * 2/2017 Parker D3/301
10,159,317 B2 * 12/2018 O'Such A45C 13/02
D855,308 S * 8/2019 Reynolds D3/203.1
D866,974 S * 11/2019 Oviedo Polanco D3/317
D893,871 S * 8/2020 Plunkett D3/285
D894,818 S * 9/2020 Dooling D12/423
2017/0231341 A1 * 8/2017 O'Such A45C 13/02
190/102

DESCRIPTION
FIG. 1 is a front view of a shoe case showing my new
design;
FIG. 2 is a rear view thereof;
FIG. 3 is a side view thereof;
FIG. 4 is an opposite side view thereof;
FIG. 5 is a top view thereof;
FIG. 6 is a bottom view thereof;
FIG. 7 is a perspective view thereof;
FIG. 8 is a front view of a shoe case in an open position
showing my new design;
FIG. 9 is a rear view thereof;
FIG. 10 is a side view thereof;
FIG. 11 is an opposite side view thereof;
FIG. 12 is a top view thereof;
FIG. 13 is a bottom view thereof;
FIG. 14 is a perspective view thereof;
FIG. 15 is a front view of a shoe case in an open position
showing my new design;
FIG. 16 is a rear view thereof;
FIG. 17 is a side view thereof;
FIG. 18 is an opposite side view thereof;
FIG. 19 is a top view thereof;
FIG. 20 is a bottom view thereof; and,
FIG. 21 is a perspective view thereof.
The broken lines illustrate environmental subject matter
which forms no part of the claimed design.

* cited by examiner

1 Claim, 21 Drawing Sheets



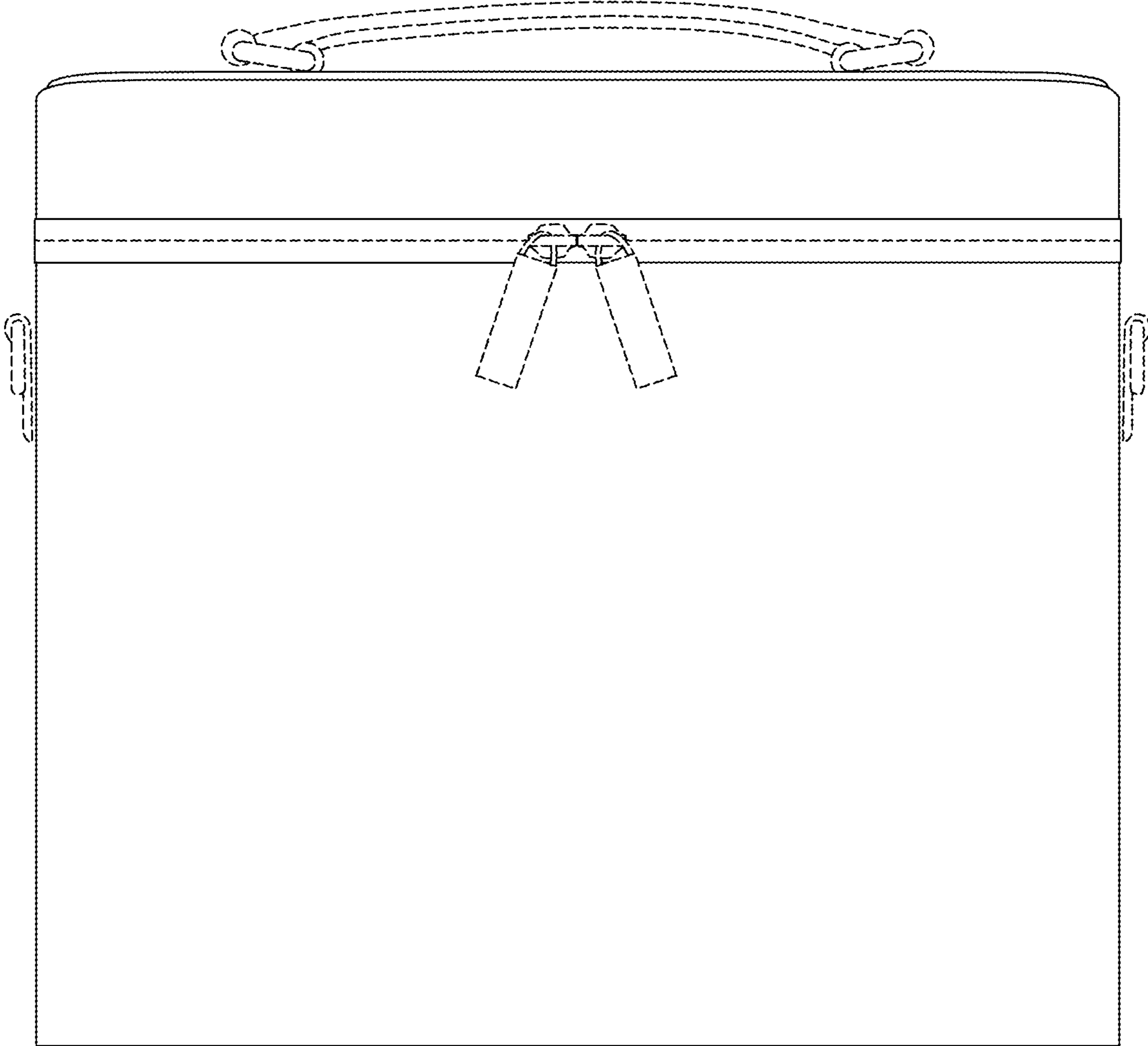


FIG. 1

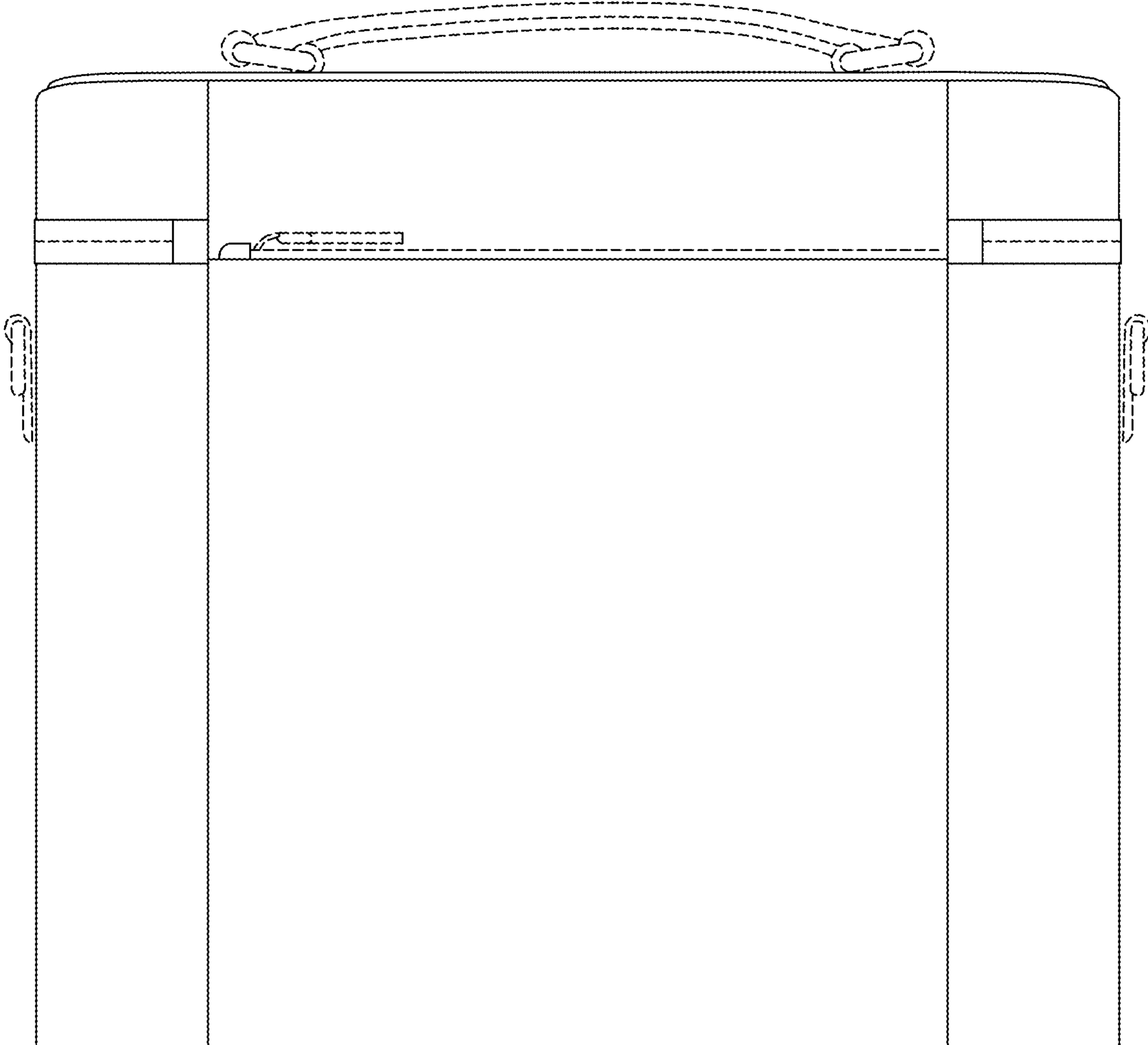


FIG. 2

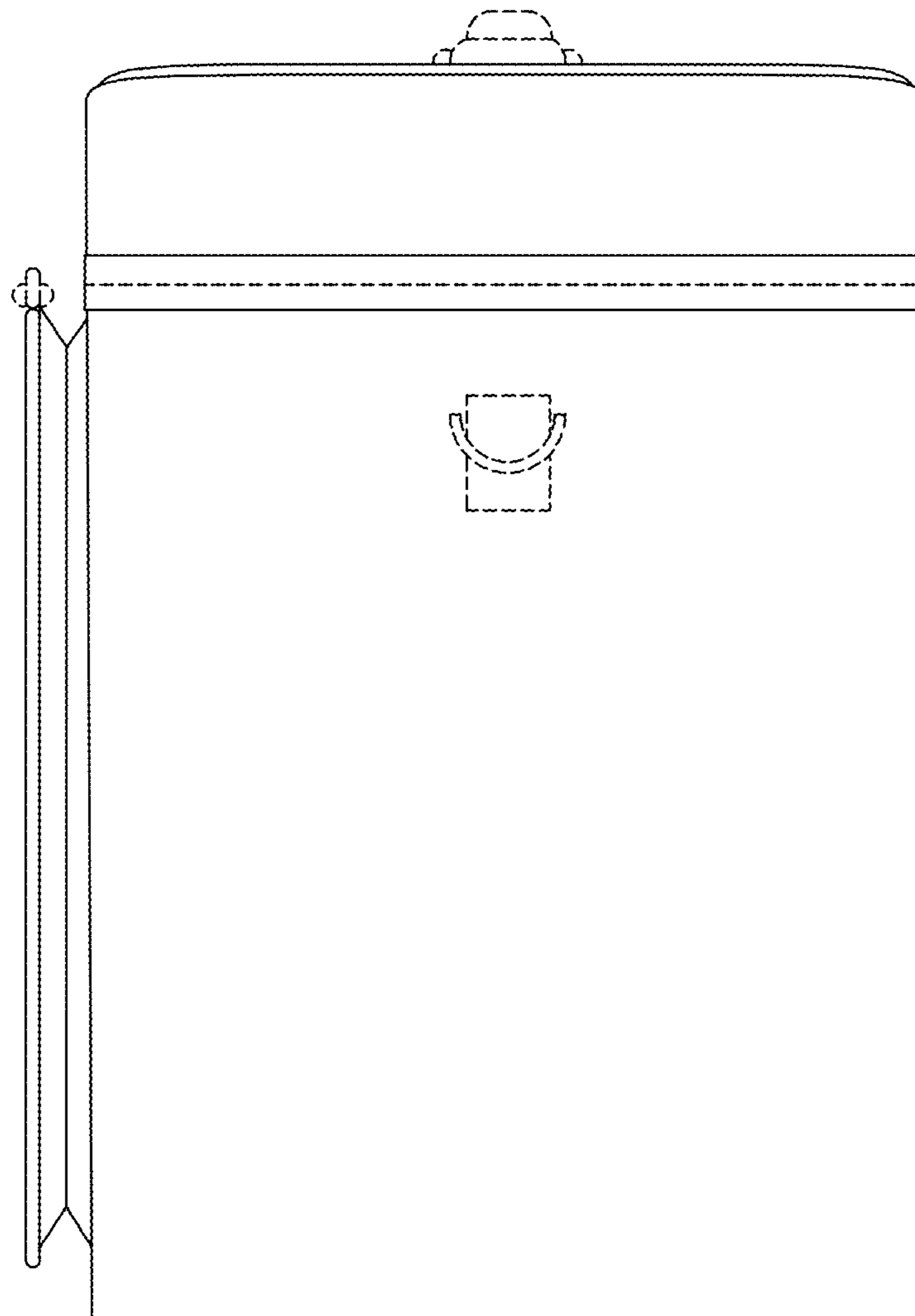


FIG. 3

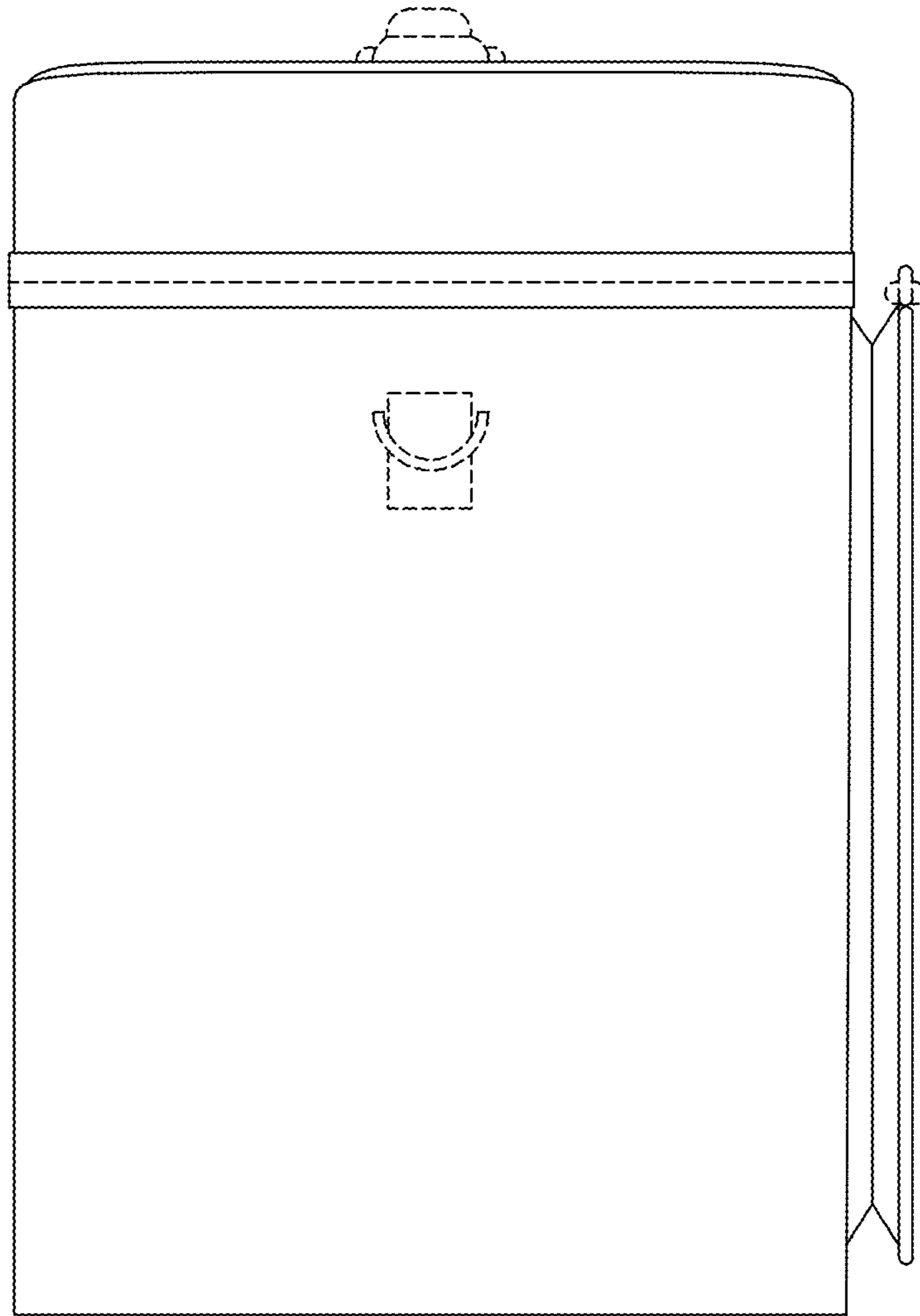


FIG. 4

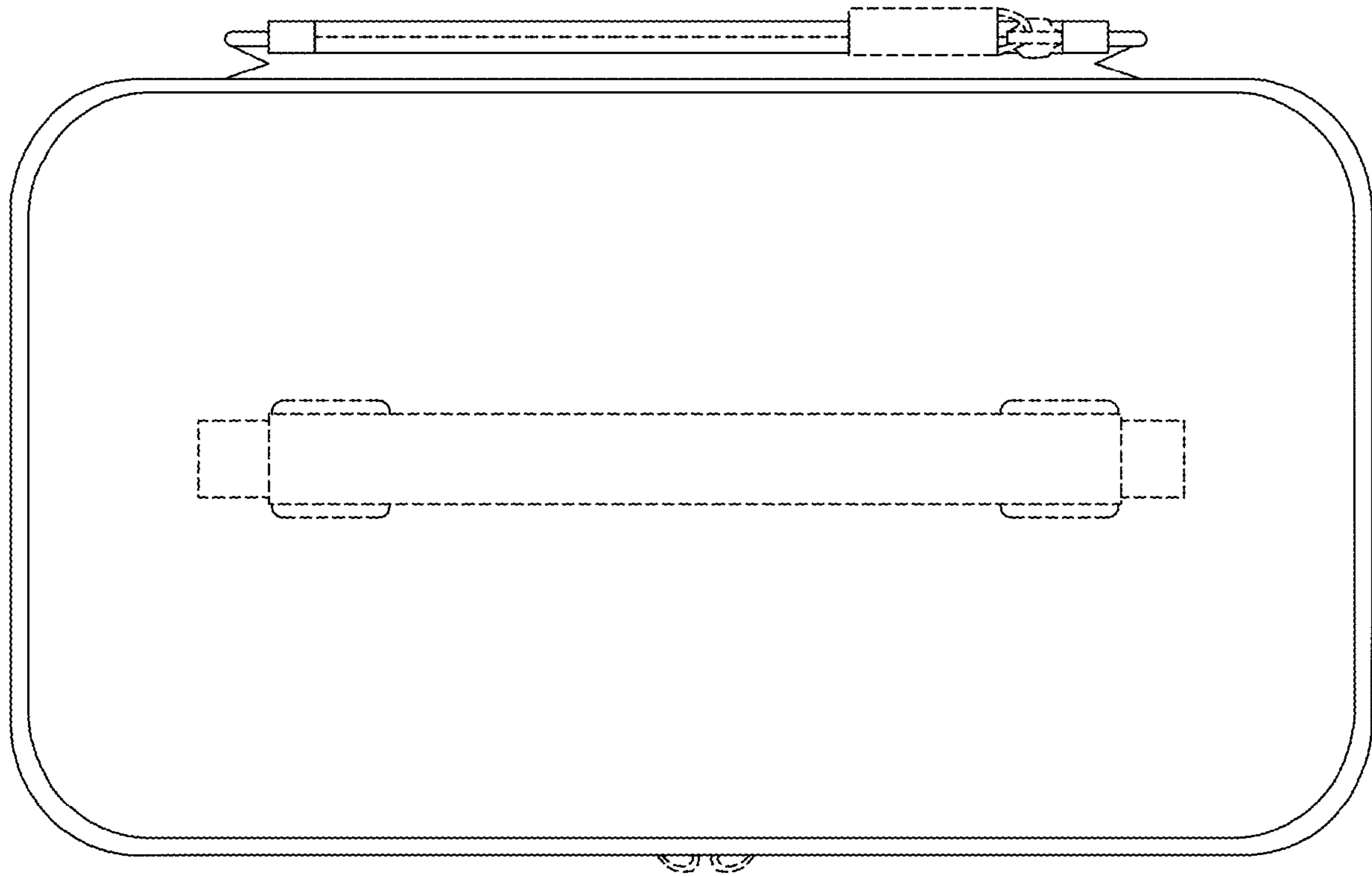


FIG. 5

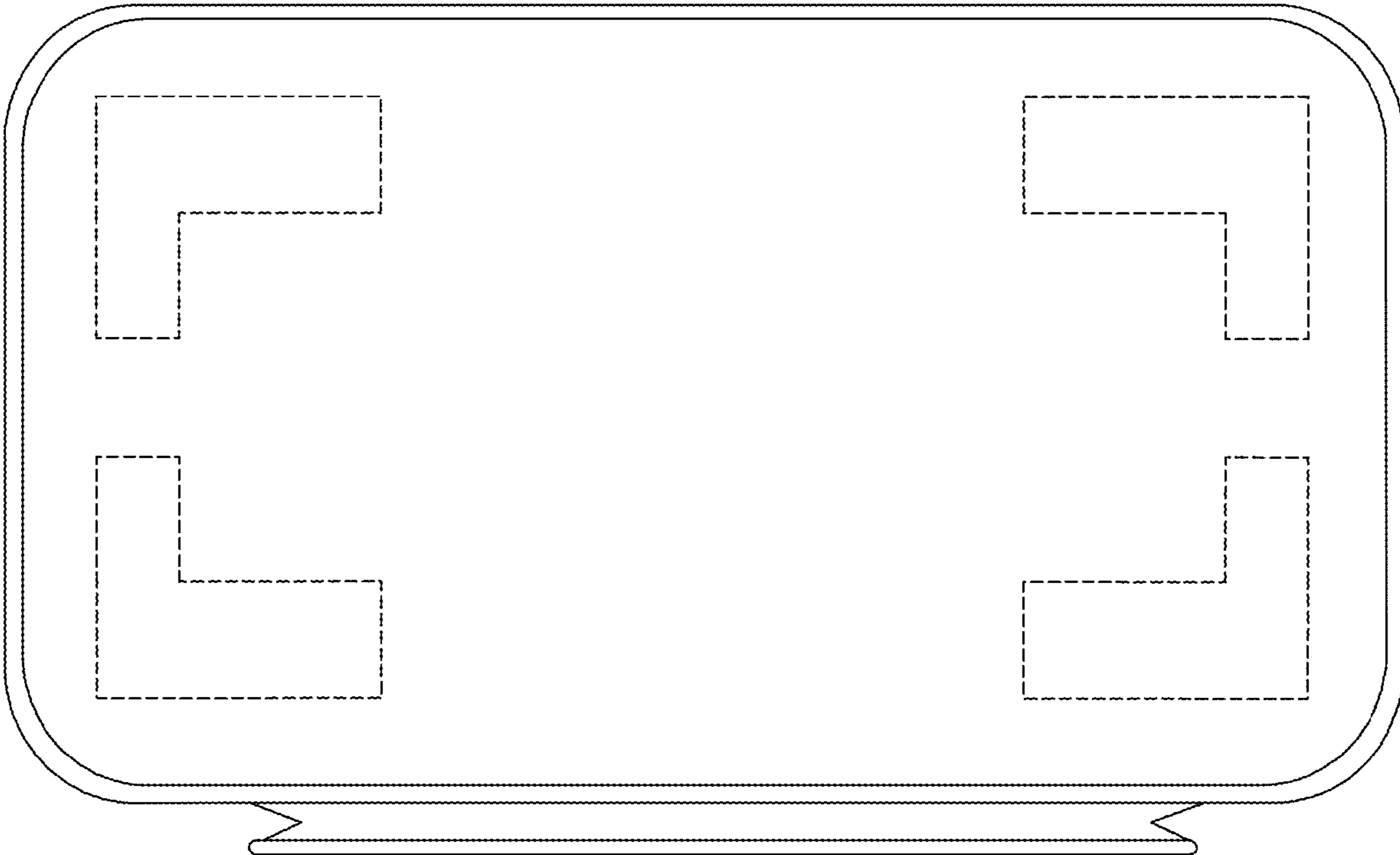


FIG. 6

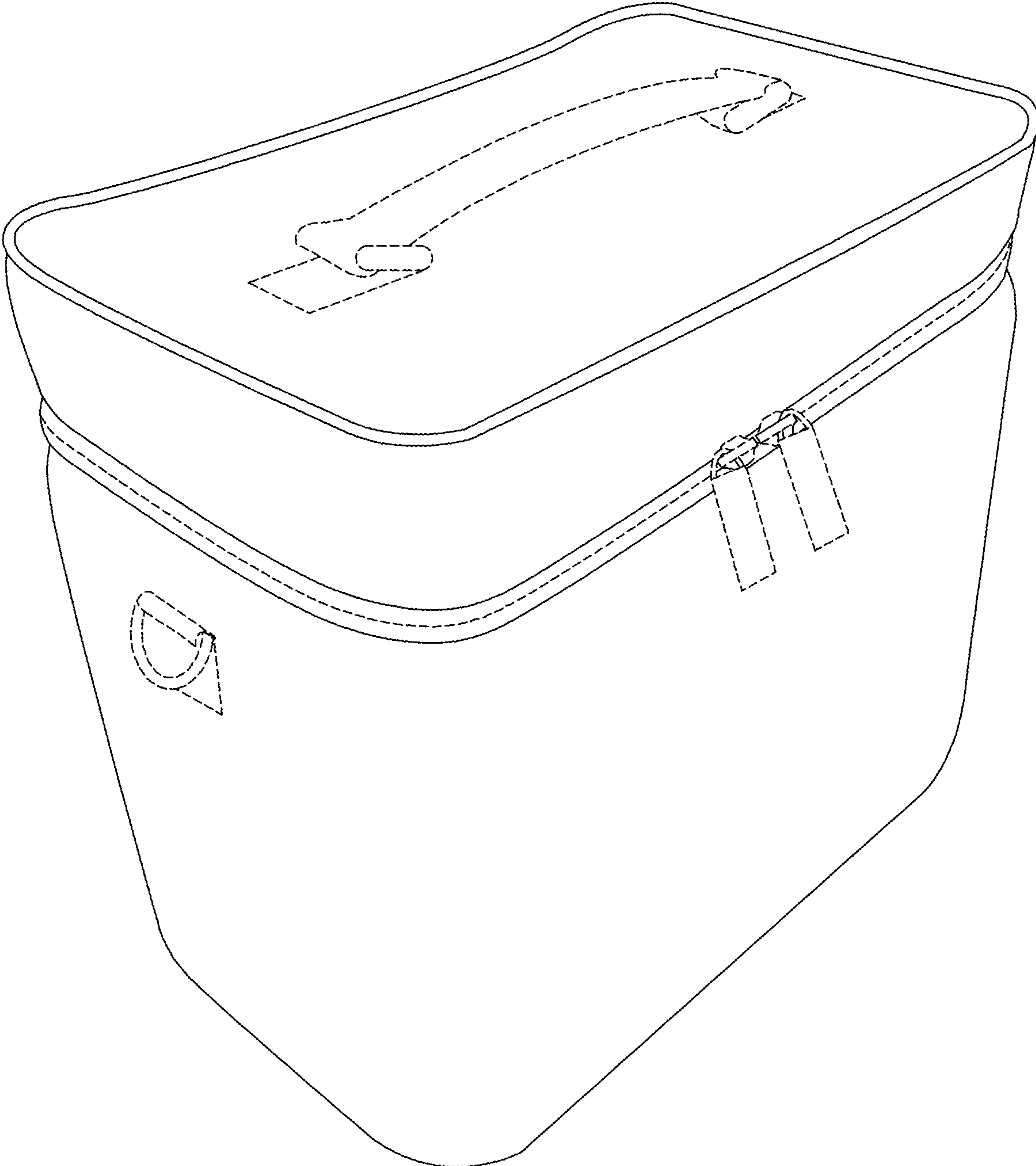


FIG. 7

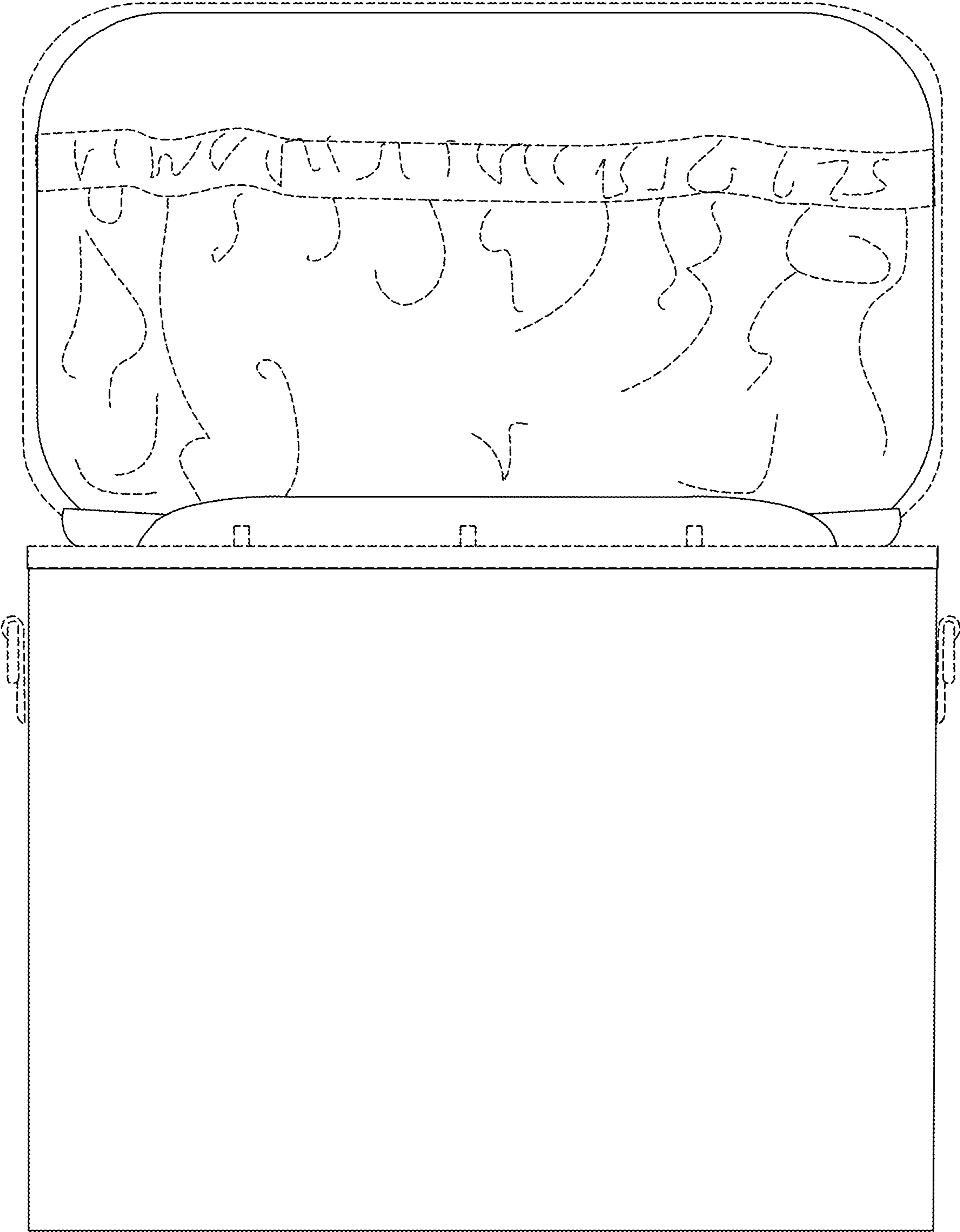


FIG. 8

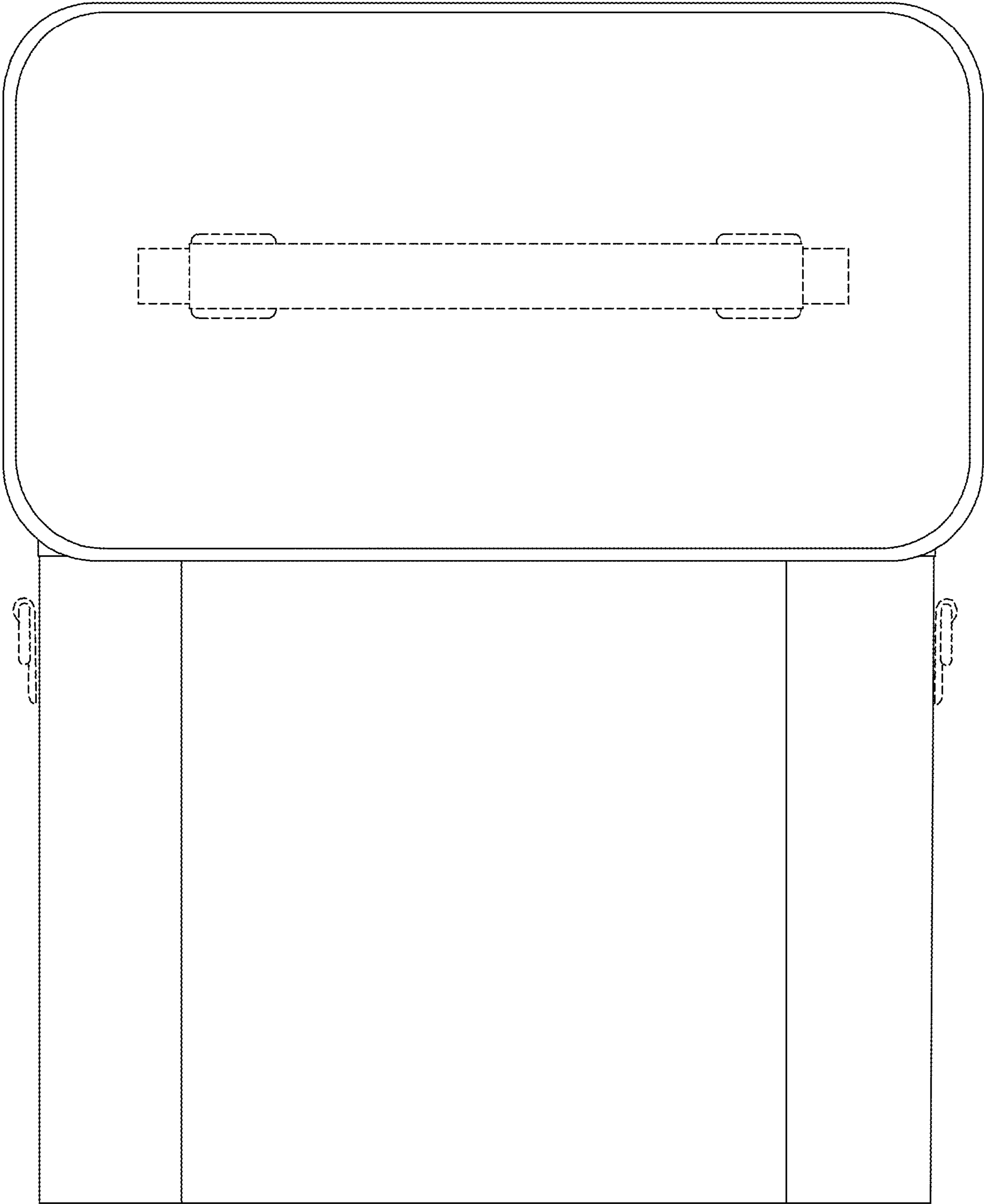


FIG. 9

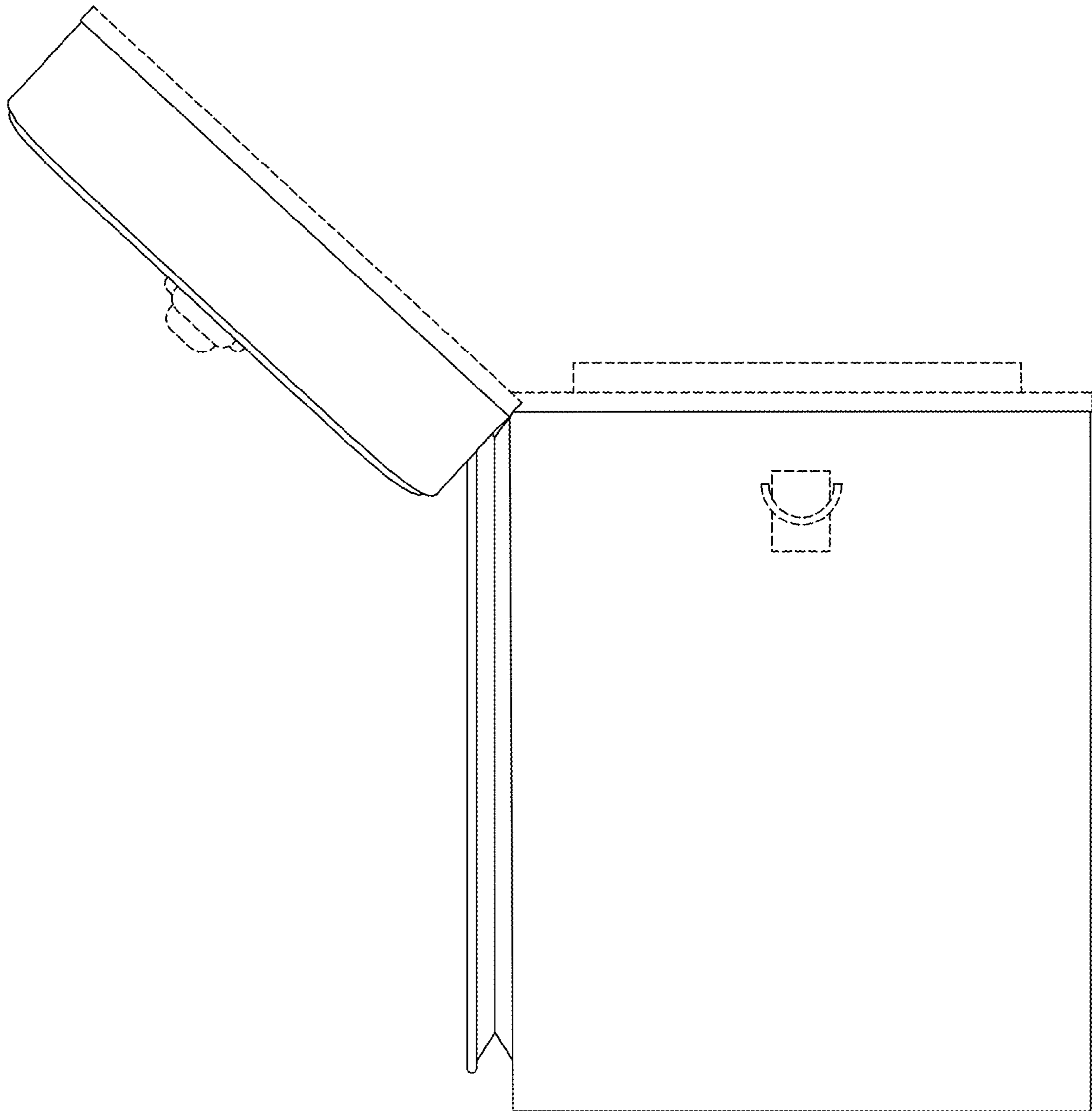


FIG. 10

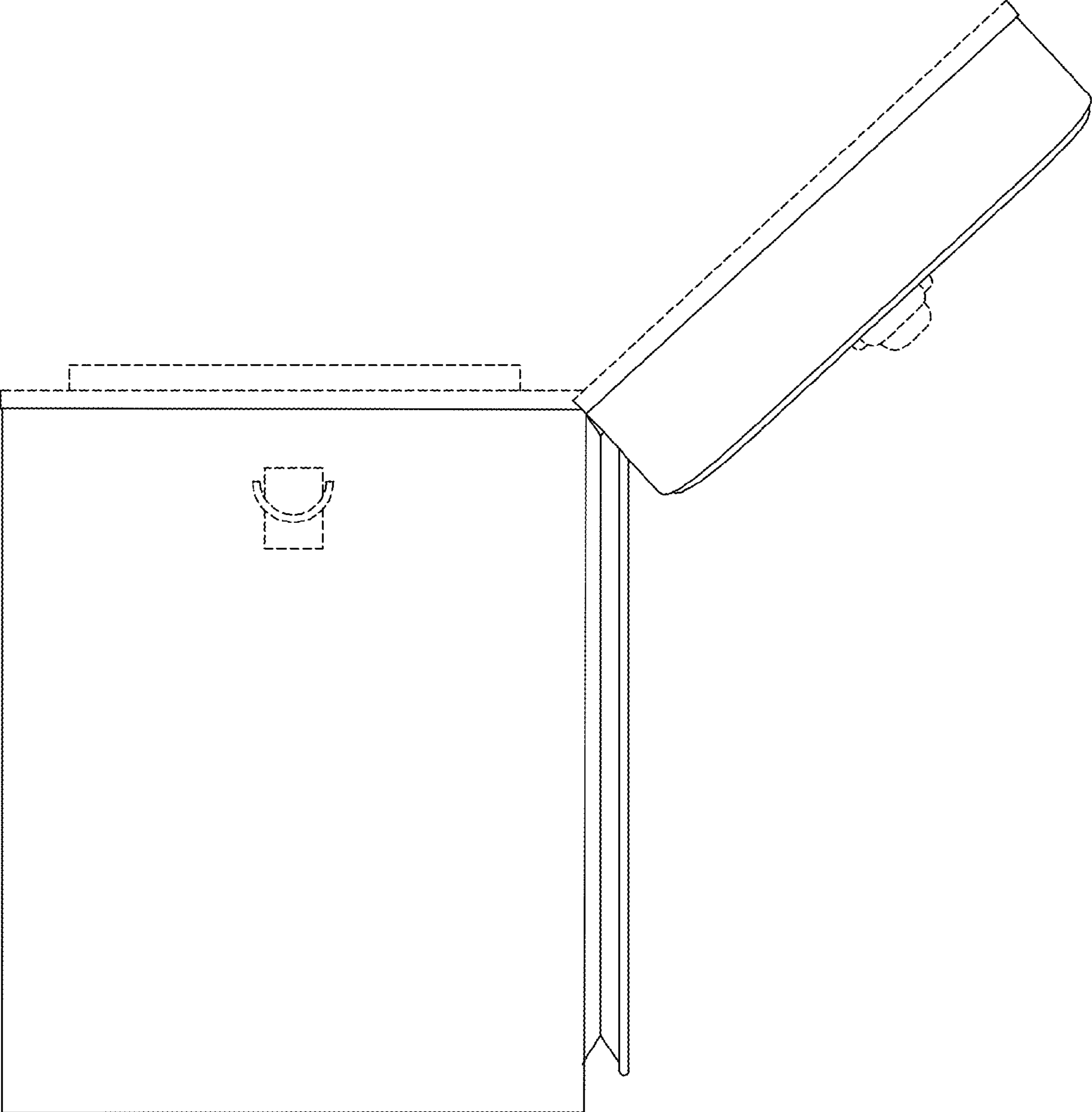


FIG. 11

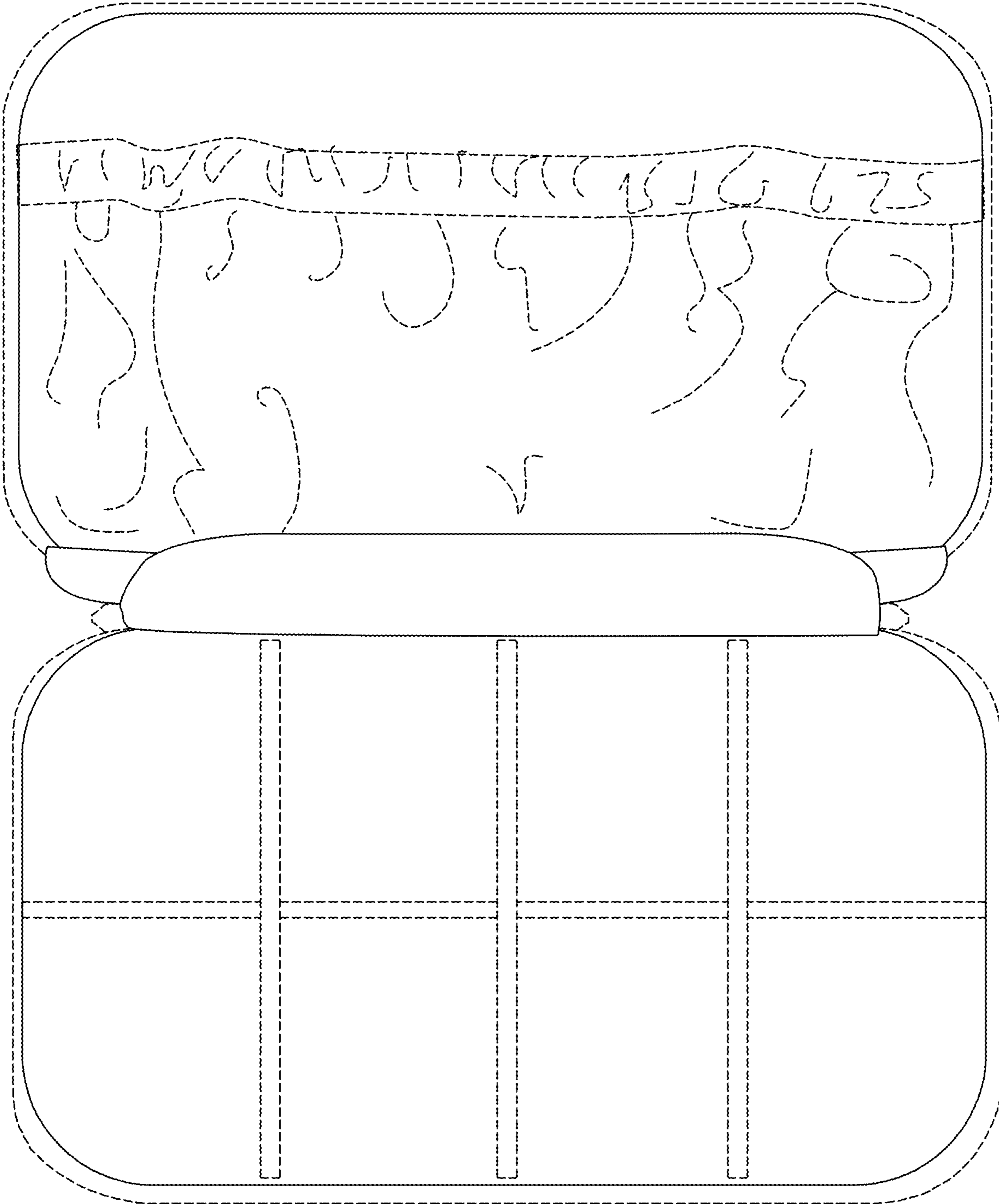


FIG. 12

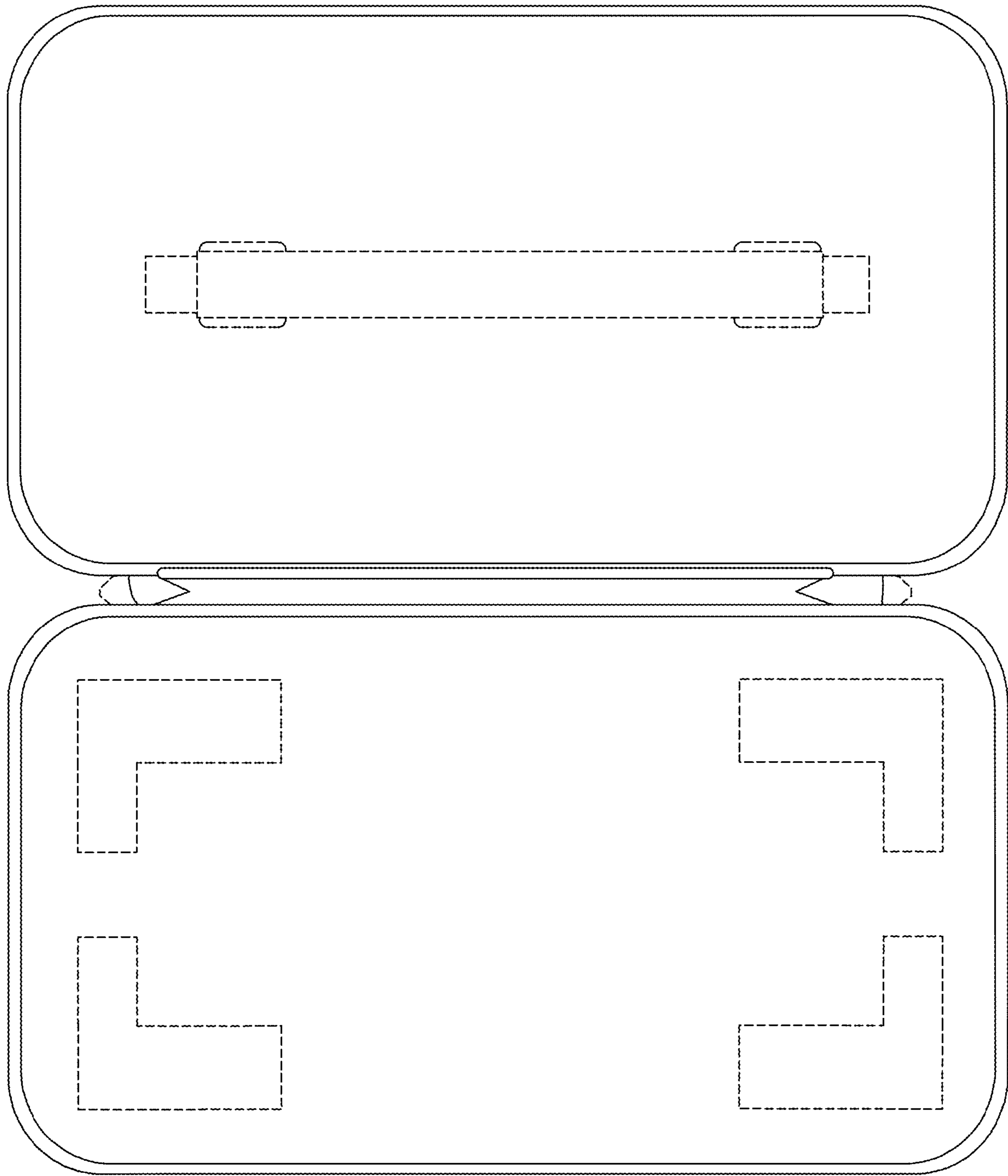


FIG. 13

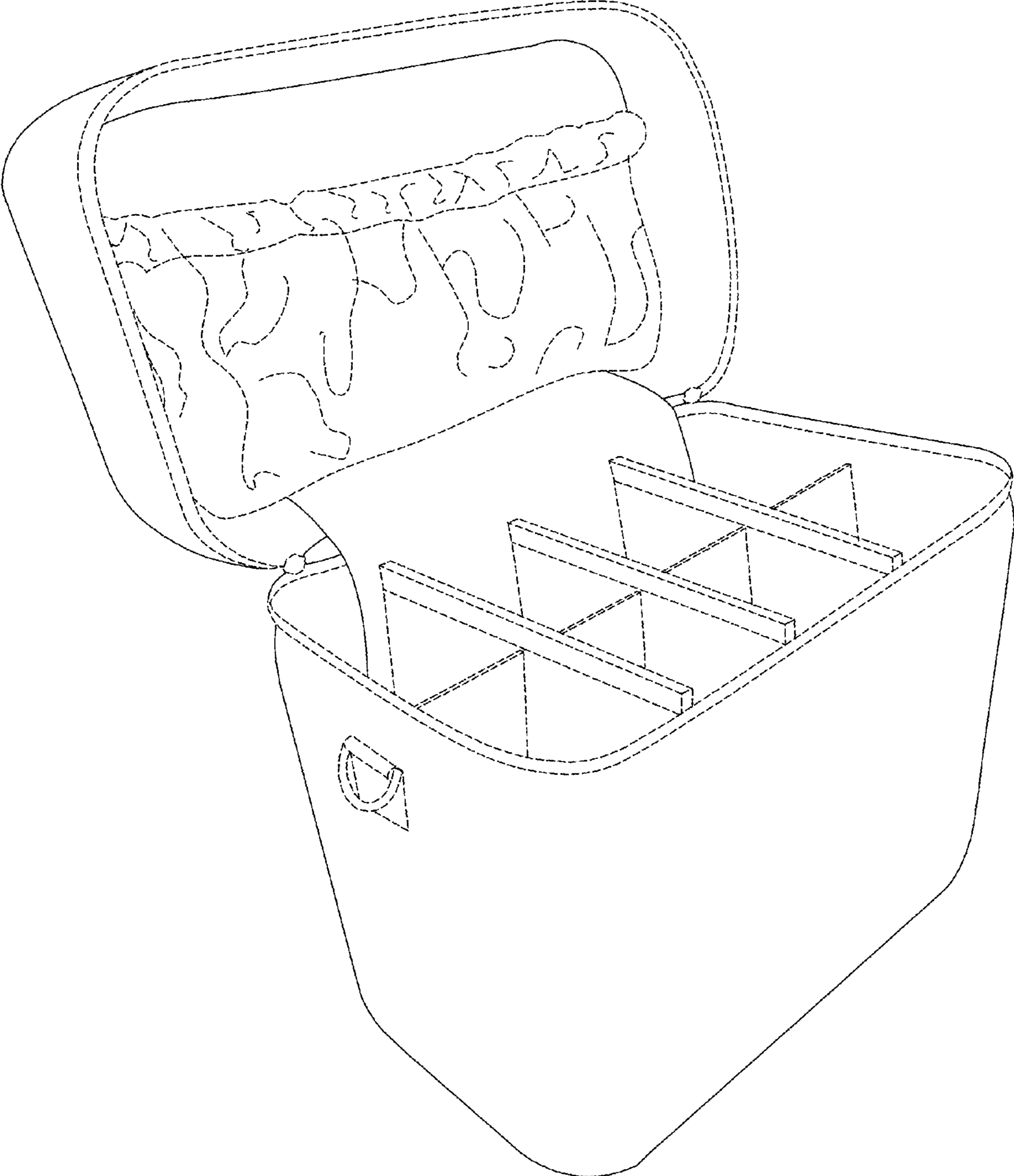


FIG. 14

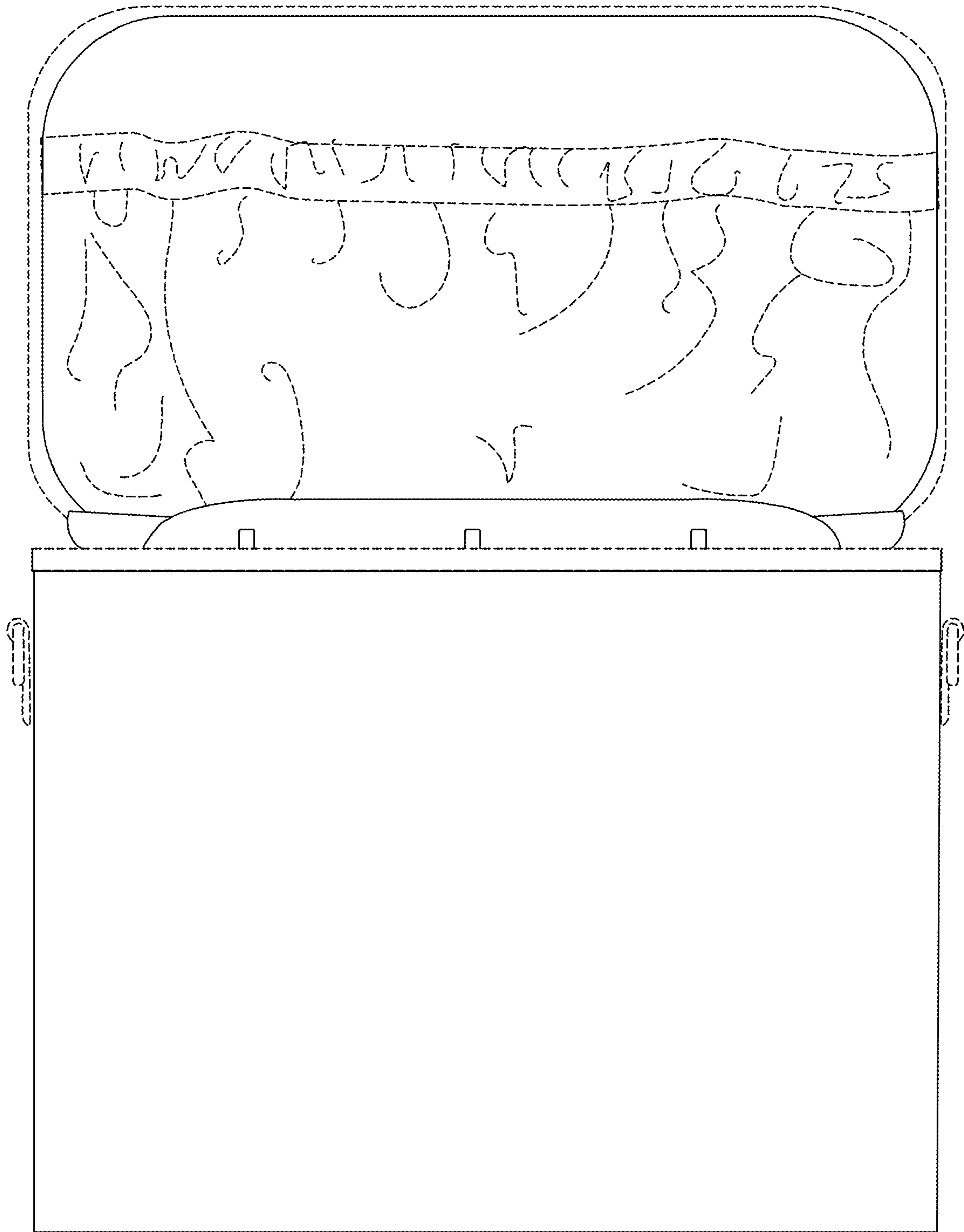


FIG. 15

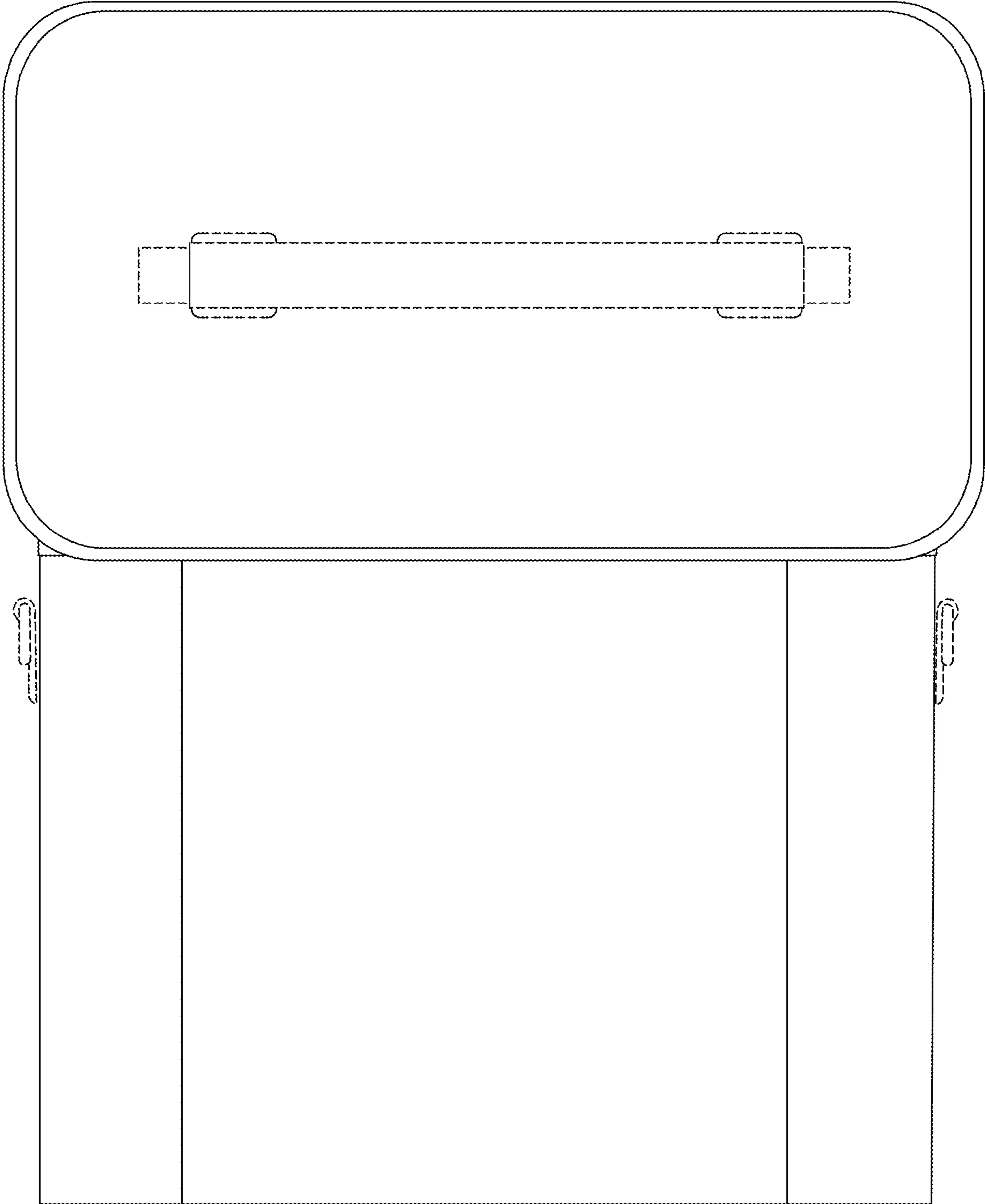


FIG. 16

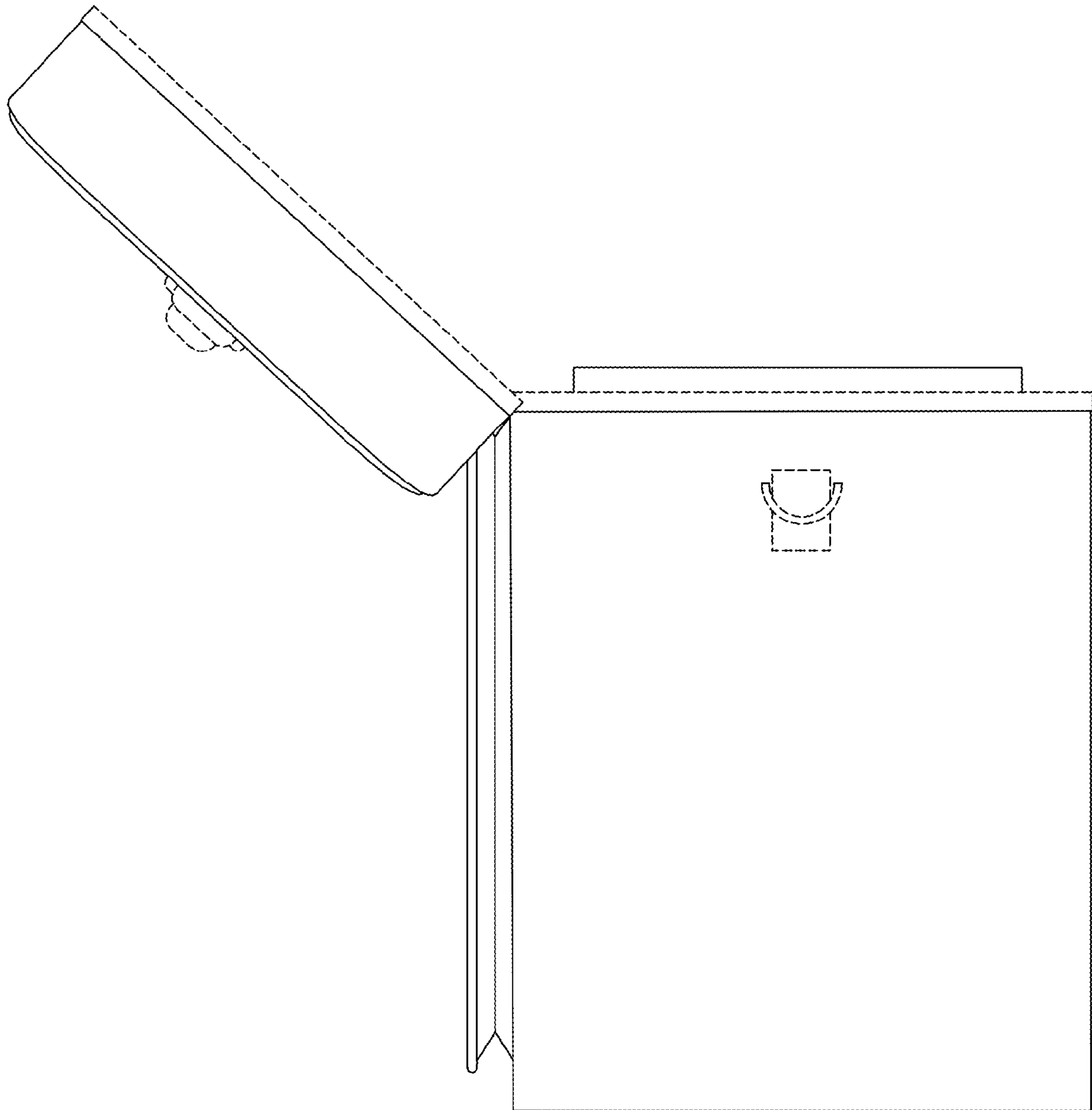


FIG. 17

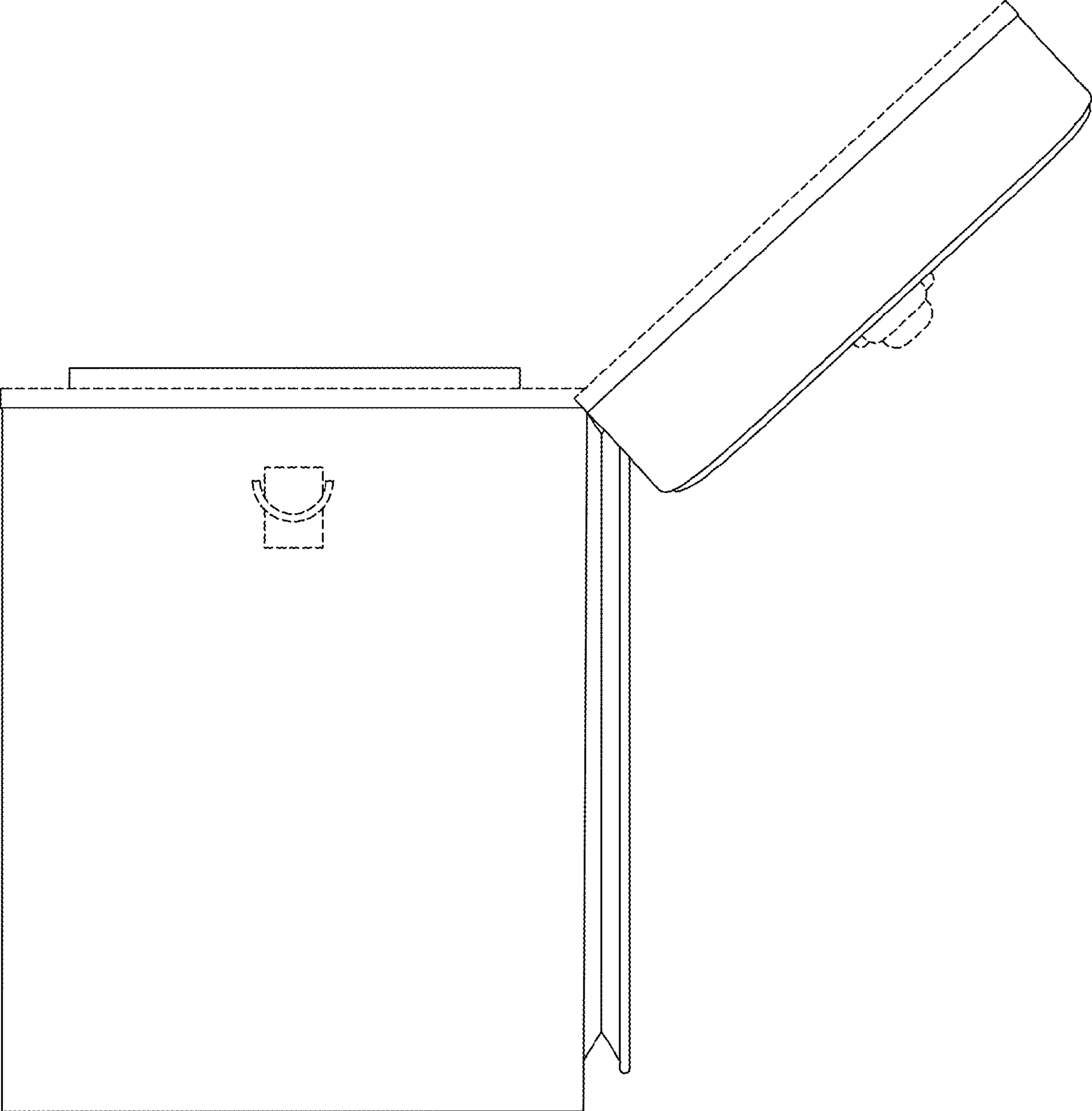


FIG. 18

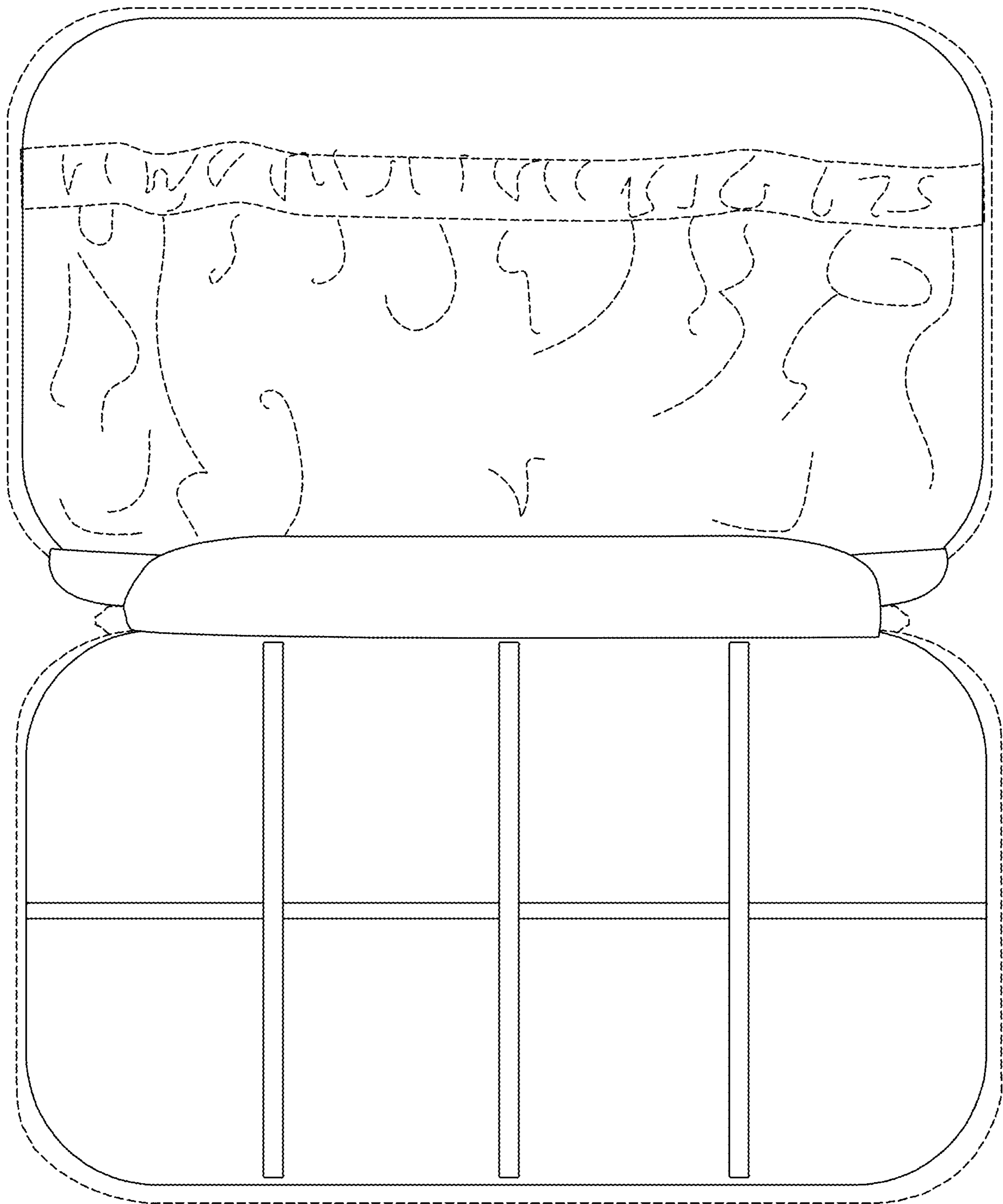


FIG. 19

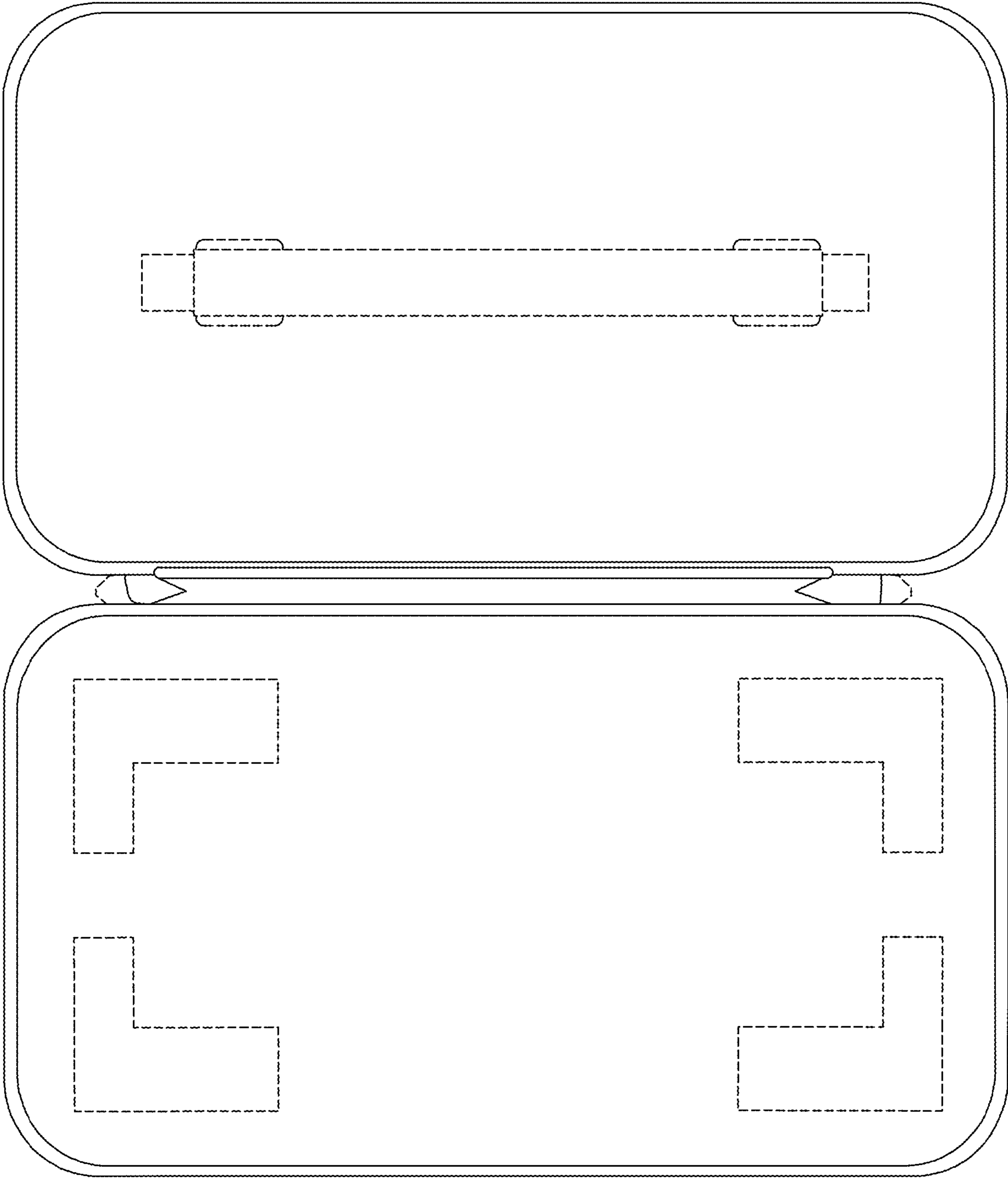


FIG. 20

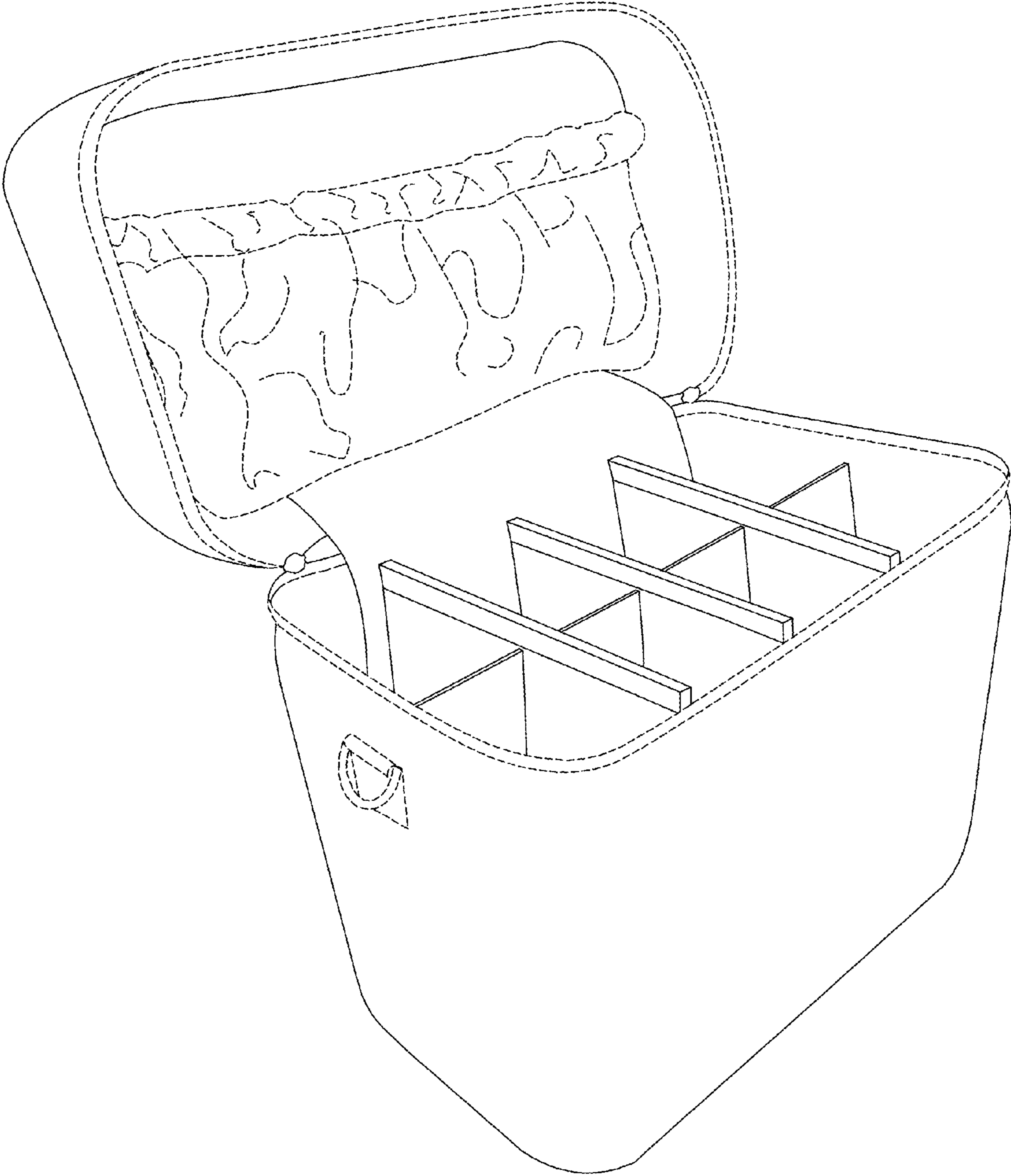


FIG. 21