



US00D982902S

(12) **United States Design Patent**
Hsu

(10) **Patent No.:** **US D982,902 S**
(45) **Date of Patent:** **** Apr. 11, 2023**

(54) **DRAWER FOR A PACKAGING BOX**

(71) Applicant: **L&F PLASTICS, CO., LTD.**, Miaoli County (TW)
(72) Inventor: **Mu-Chuan Hsu**, Miaoli County (TW)
(73) Assignee: **L&F Plastics, Co., Ltd.**, Miaoli County (TW)

(**) Term: **15 Years**

(21) Appl. No.: **29/809,423**

(22) Filed: **Sep. 28, 2021**

(30) **Foreign Application Priority Data**

Mar. 31, 2021 (TW) 110301590

(51) **LOC (14) Cl.** **03-01**

(52) **U.S. Cl.**
USPC **D3/304**

(58) **Field of Classification Search**

USPC D3/304, 305, 307, 309-314, 319, 323;
D9/414, 416, 431-432, 435, 444, 455,
D9/460, 499, 517, 518, 522, 702-714,
D9/719, 738-740; D6/524, 525, 553,
D6/562, 566

CPC A45C 7/0077; A45C 3/04; A45C 3/10;
B65D 43/0218; B65D 33/00; B65D
33/02; B65D 33/06; B65D 33/065; B65D
33/14; B65D 33/1683; B65D 33/12;
B65D 33/24; B65D 31/00; B65D 31/04;
B65D 31/10; B65D 1/00; B65D 1/22;
B65D 1/24; B65D 1/34; B65D 1/36;
B65D 1/38; B65D 1/225; B65D 1/243;
B65D 2585/6862; B65D 2585/6865;
B65D 11/1893; B65D 21/0213; D06F
95/002; A47B 87/0284; A47B 43/00

See application file for complete search history.

(56) **References Cited**

U.S. PATENT DOCUMENTS

3,170,594 A * 2/1965 Nascher B65D 21/045
D3/304
D210,463 S * 3/1968 Sander D3/304

D235,956 S * 7/1975 Noneman et al. D6/705
D310,748 S * 9/1990 Embree D9/425
D596,857 S * 7/2009 Ahlgrim D3/307
D600,017 S * 9/2009 Christie D3/304
D612,153 S * 3/2010 Liao D3/304
D659,400 S * 5/2012 Kraemer D3/304
D734,610 S * 7/2015 Christie D3/304
D750,892 S * 3/2016 Rego D3/305
D851,935 S * 6/2019 Best D3/313

(Continued)

FOREIGN PATENT DOCUMENTS

JP 3201251 U * 12/2015 B65D 21/0213

Primary Examiner — Mary Shannon Malley

Assistant Examiner — Christopher John Suarez La Rosa

(74) *Attorney, Agent, or Firm* — Millen, White, Zelano & Branigan, P.C.; William Nixon; Wan-Ching Montfort

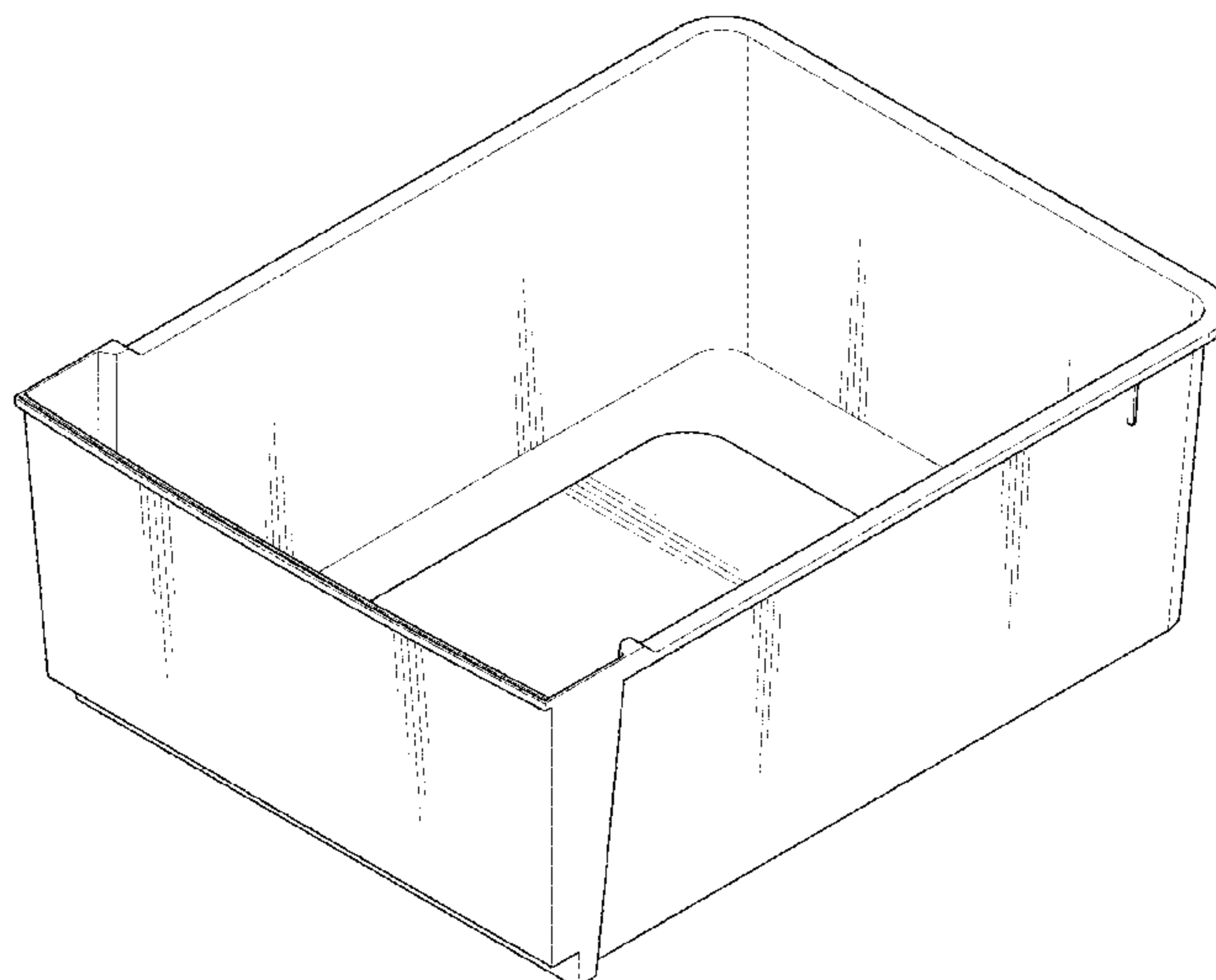
(57) **CLAIM**

The ornamental design for a drawer for a packaging box, as shown and described.

DESCRIPTION

FIG. 1 is a top front perspective view of a drawer for a packaging box showing my new design;
FIG. 2 is a front view thereof;
FIG. 3 is a rear view thereof;
FIG. 4 is a right side view thereof and the left side view being a mirror image;
FIG. 5 is a top view thereof;
FIG. 6 is a bottom view thereof;
FIG. 7 is an enlarged cross-sectional view taken along the line 7-7 in FIG. 5; and,
FIG. 8 is a bottom rear perspective view thereof.

1 Claim, 7 Drawing Sheets



(56)

References Cited

U.S. PATENT DOCUMENTS

D961,928 S * 8/2022 McBride D3/304
2021/0139186 A1 * 5/2021 Kobayashi B65D 21/0233

* cited by examiner

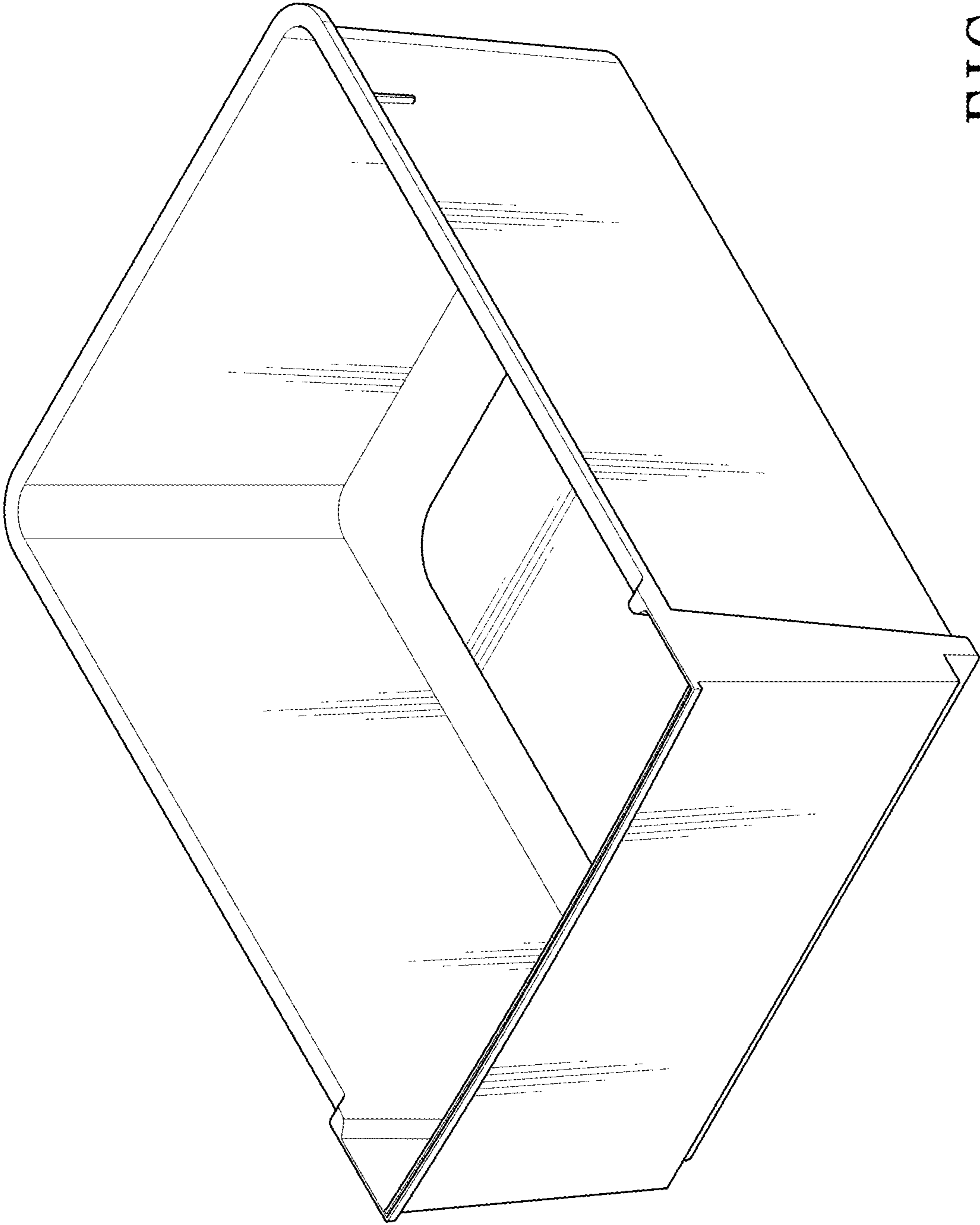


FIG. 1

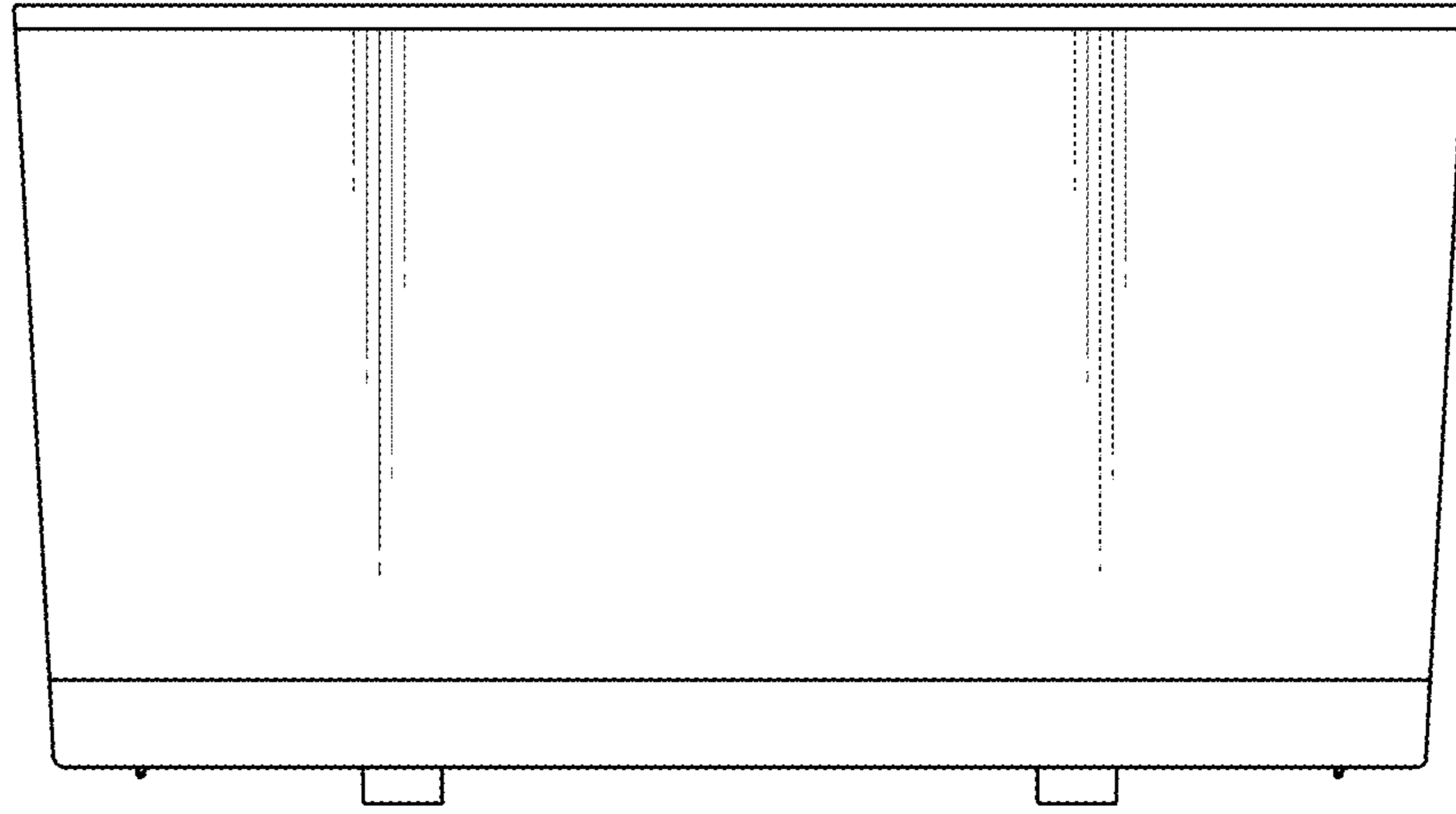


FIG. 2

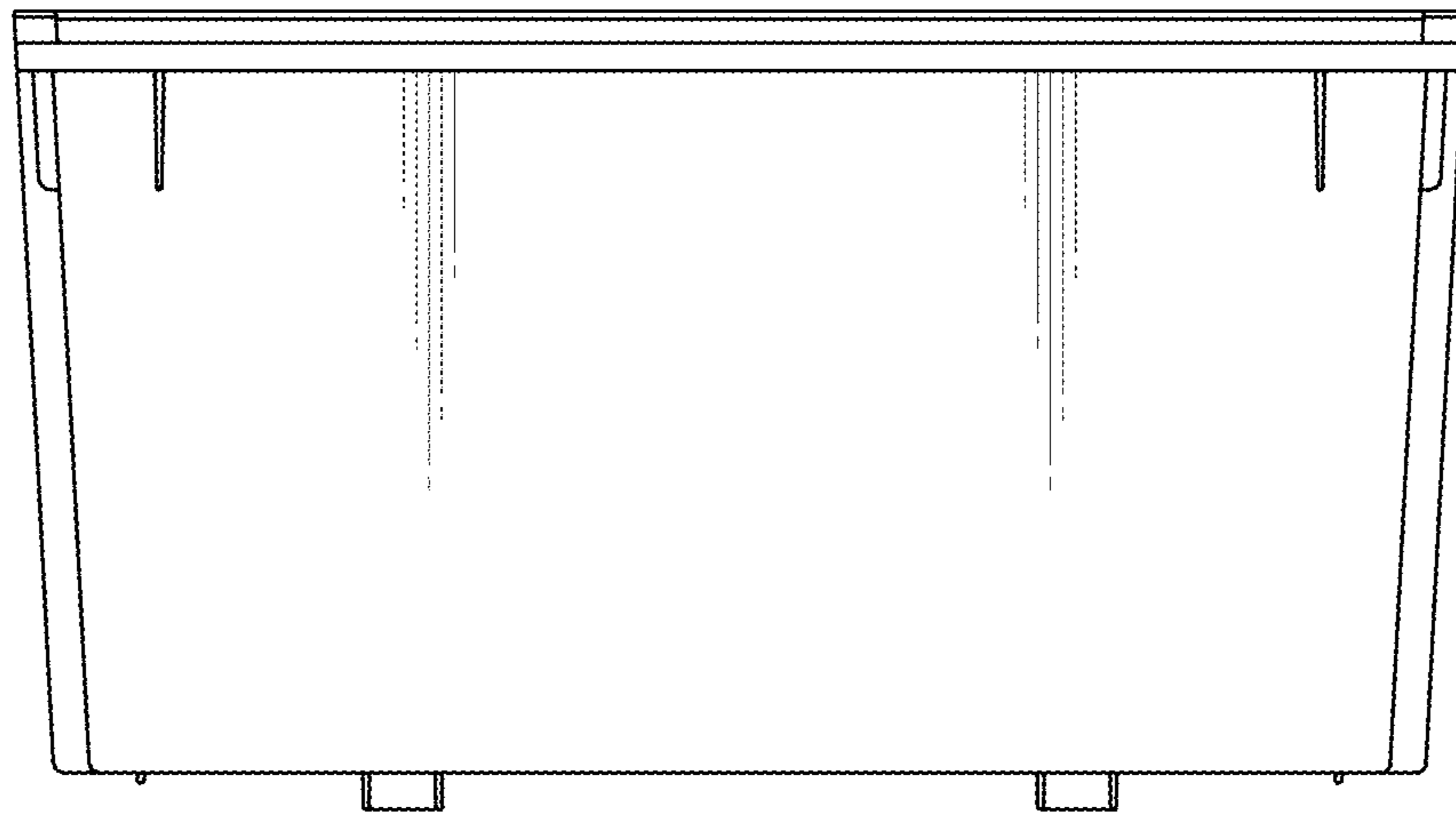


FIG. 3

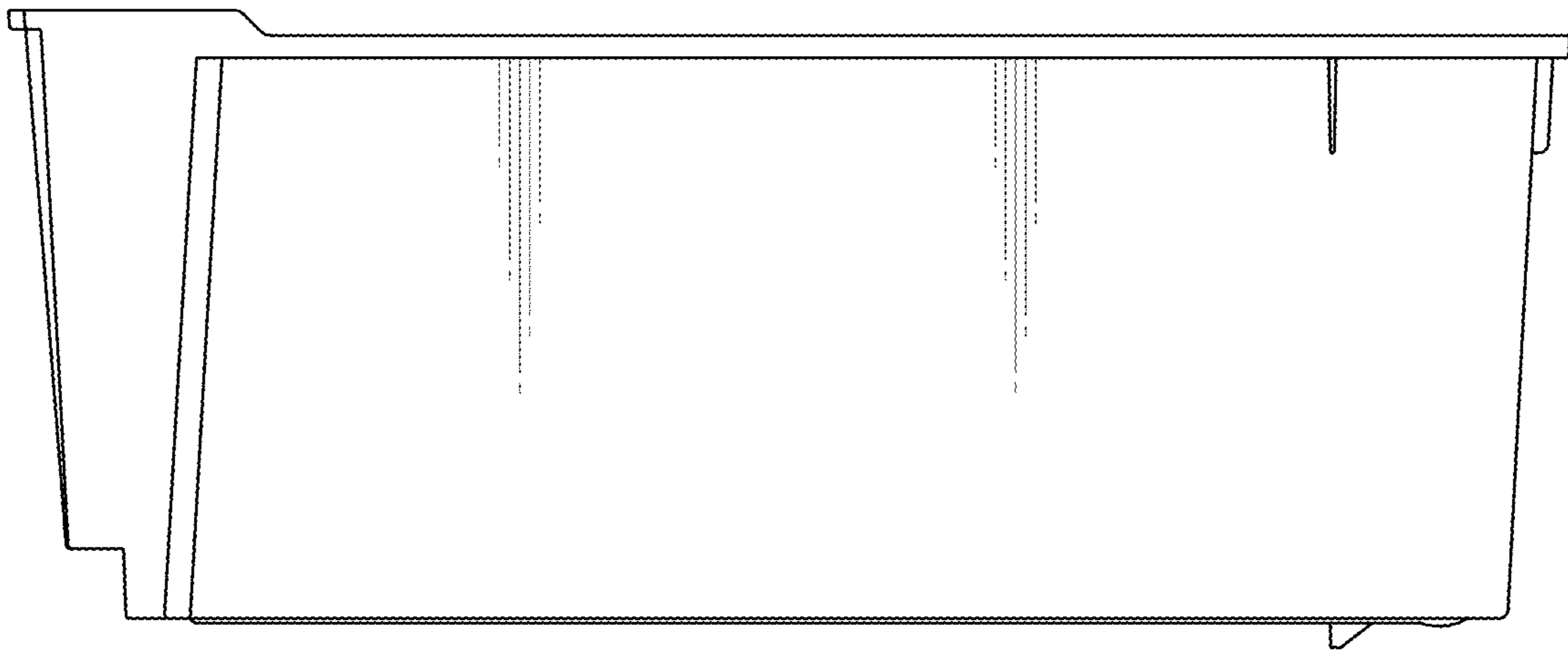


FIG. 4

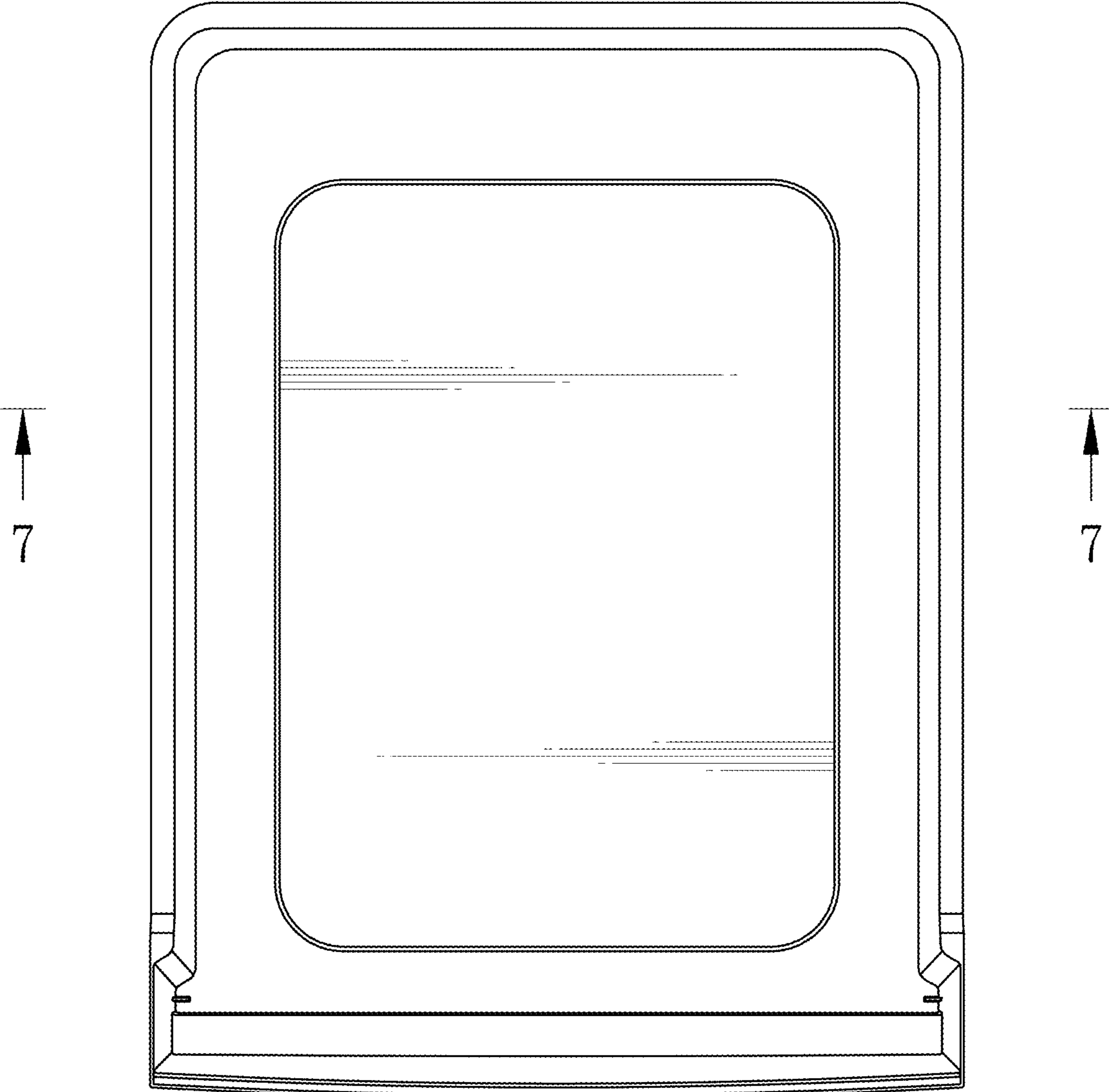


FIG. 5

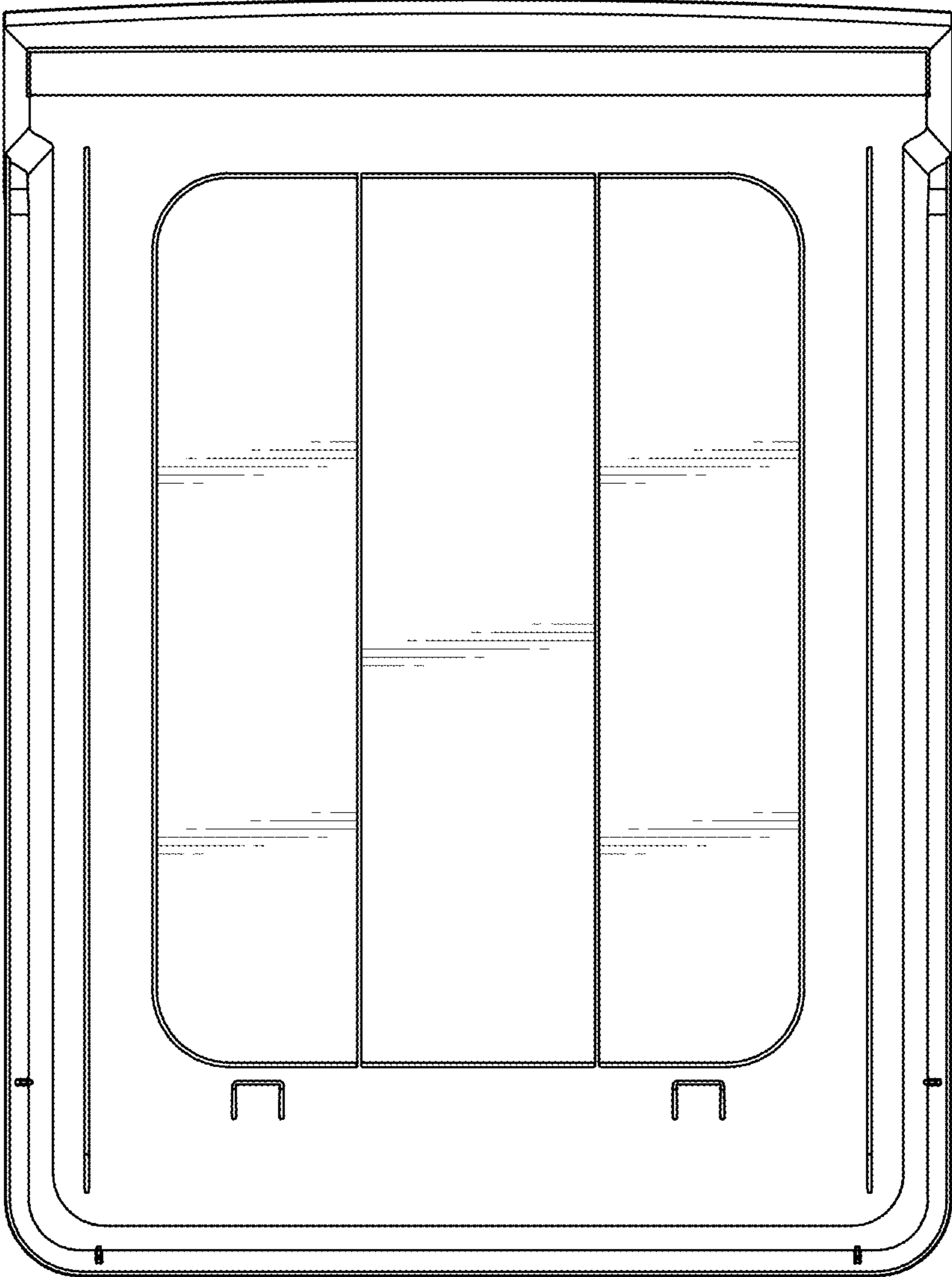


FIG. 6

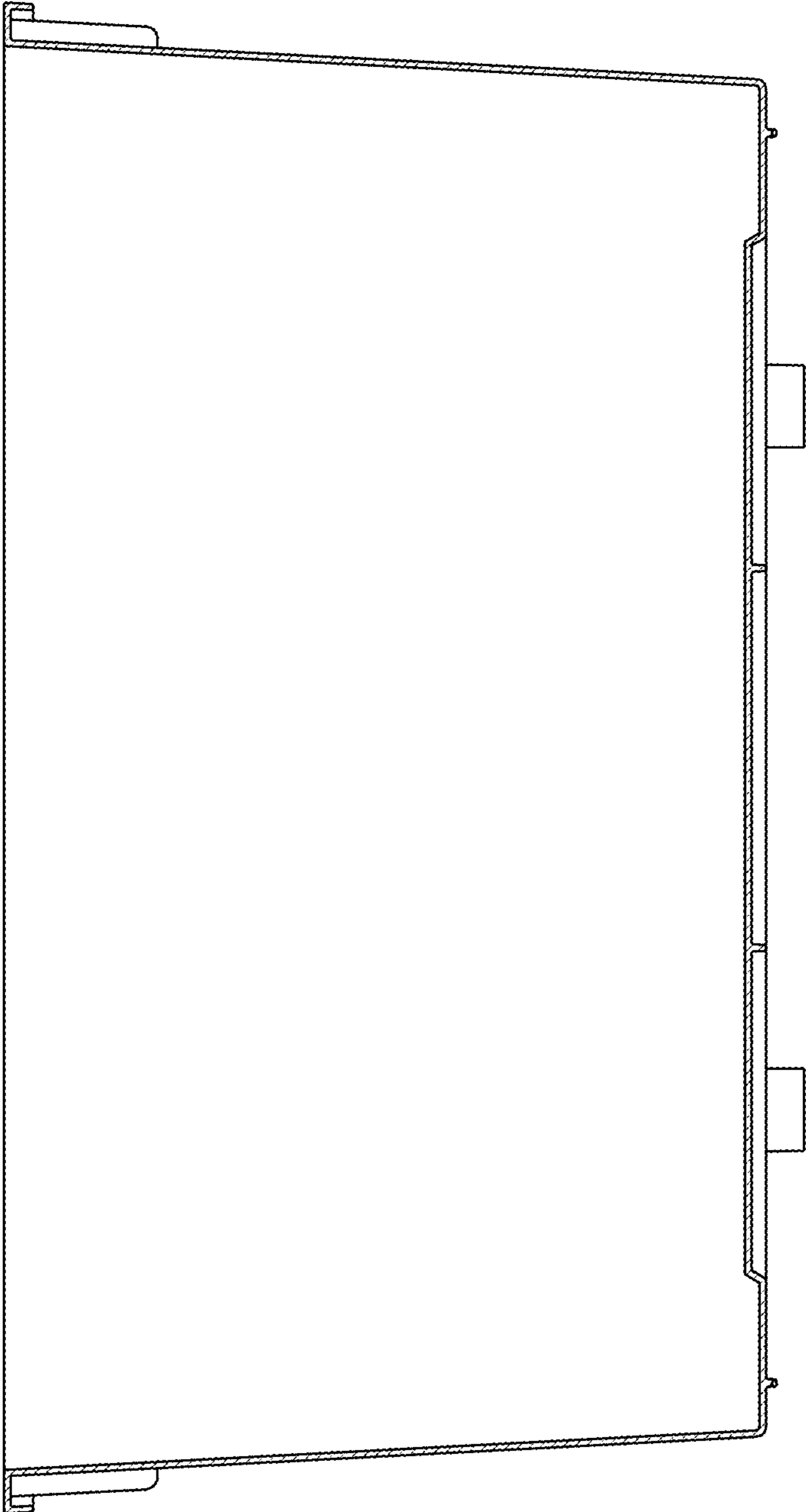


FIG. 7

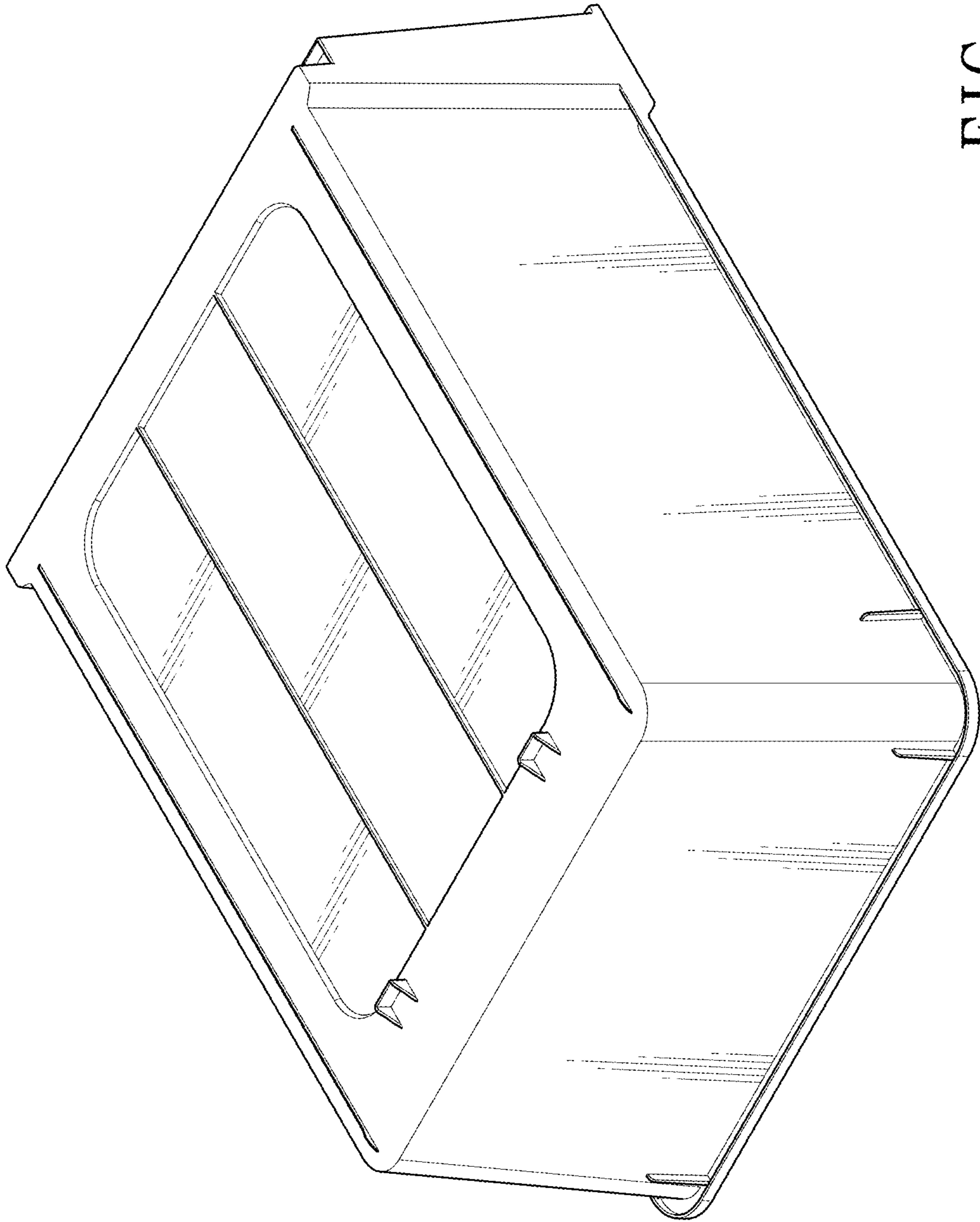


FIG. 8