



US00D982901S

(12) **United States Design Patent** (10) **Patent No.:** **US D982,901 S**  
**Chang** (45) **Date of Patent:** **\*\* Apr. 11, 2023**

(54) **DISPENSER**  
(71) Applicant: **Calvin Chang**, Anaheim, CA (US)  
(72) Inventor: **Calvin Chang**, Anaheim, CA (US)  
(\*\*) Term: **15 Years**  
(21) Appl. No.: **29/757,743**  
(22) Filed: **Nov. 9, 2020**  
(51) **LOC (14) Cl.** ..... **07-01**  
(52) **U.S. Cl.**  
USPC ..... **D3/300**; D6/542  
(58) **Field of Classification Search**  
USPC ..... D6/524, 542-545, 540, 515, 527, 530;  
D9/448, 504, 454, 688, 500, 691-693;  
D23/238, 225, 247, 270-275, 355, 356,  
D23/360, 362, 364, 365, 366; D32/29.1;  
D7/598, 300; D10/118; D14/240, 140.1,  
D14/140.5, 140.6; 241/602; 239/343;  
222/105, 173, 180, 181.1, 181.2, 181.3,  
222/82  
CPC ..... A47K 5/1217; A47K 5/12; A47K 5/1207;  
A47K 2005/1218  
See application file for complete search history.

D530,955 S \* 10/2006 Yang ..... D6/542  
D593,784 S \* 6/2009 Chan ..... D6/542  
D635,808 S \* 4/2011 DeBretton Gordon ..... D6/542  
D643,304 S \* 8/2011 Mills ..... D9/694  
D693,597 S \* 11/2013 Yang ..... D6/542  
D866,219 S \* 11/2019 Wegner ..... D6/542  
D876,955 S \* 3/2020 Atalay ..... D9/694  
D913,009 S \* 3/2021 Snell ..... D6/542  
2011/0180564 A1\* 7/2011 Jones ..... G09B 19/0076  
222/113  
2018/0263432 A1\* 9/2018 Yang ..... A47K 5/1217  
2018/0325236 A1\* 11/2018 Kang ..... A45D 33/00

\* cited by examiner

*Primary Examiner* — Marie D. Fast Horse  
*Assistant Examiner* — Jennifer Sierra Yosinski  
(74) *Attorney, Agent, or Firm* — Sheridan Ross P.C.

(57) **CLAIM**

The ornamental design for a dispenser, as shown and described.

**DESCRIPTION**

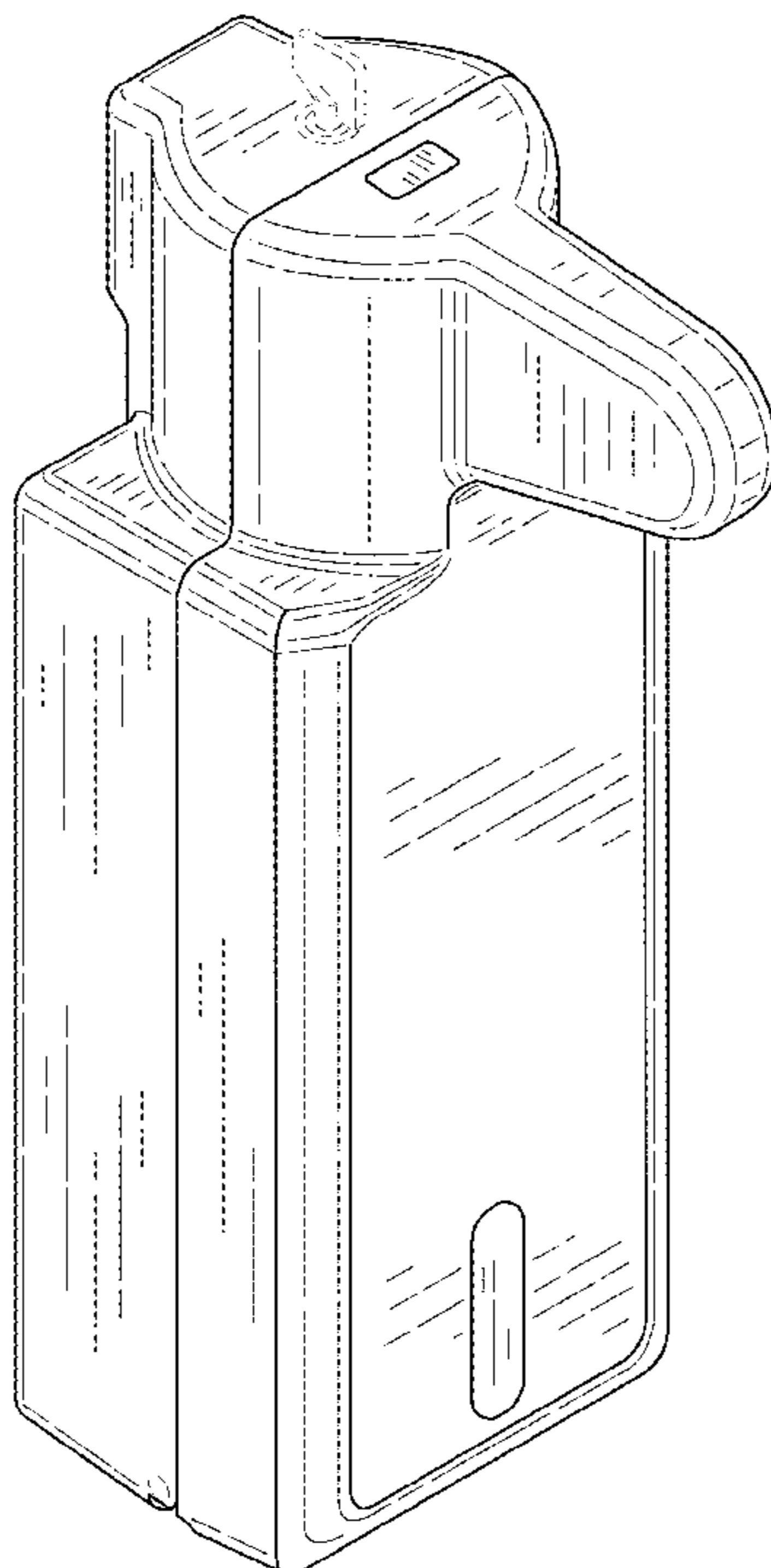
FIG. 1 is a front perspective view of a dispenser showing my new design;  
FIG. 2 is a back perspective view thereof;  
FIG. 3 is a front view thereof;  
FIG. 4 is a back view thereof;  
FIG. 5 is a right side view thereof;  
FIG. 6 is a left side view thereof;  
FIG. 7 is a top view thereof; and,  
FIG. 8 is a bottom view thereof.  
The broken lines show portions of the dispenser which form no part of the claimed design.

**1 Claim, 8 Drawing Sheets**

(56) **References Cited**

**U.S. PATENT DOCUMENTS**

D319,364 S \* 8/1991 Steiner ..... D7/300  
D338,828 S \* 8/1993 Segati ..... D9/447  
D386,963 S \* 12/1997 Hsu ..... D9/569  
D391,430 S \* 3/1998 Schmidt ..... D6/545  
D414,369 S \* 9/1999 Miller ..... D7/300  
D426,413 S \* 6/2000 Kreitemier ..... D6/543  
D439,150 S \* 3/2001 Gonda ..... D9/542



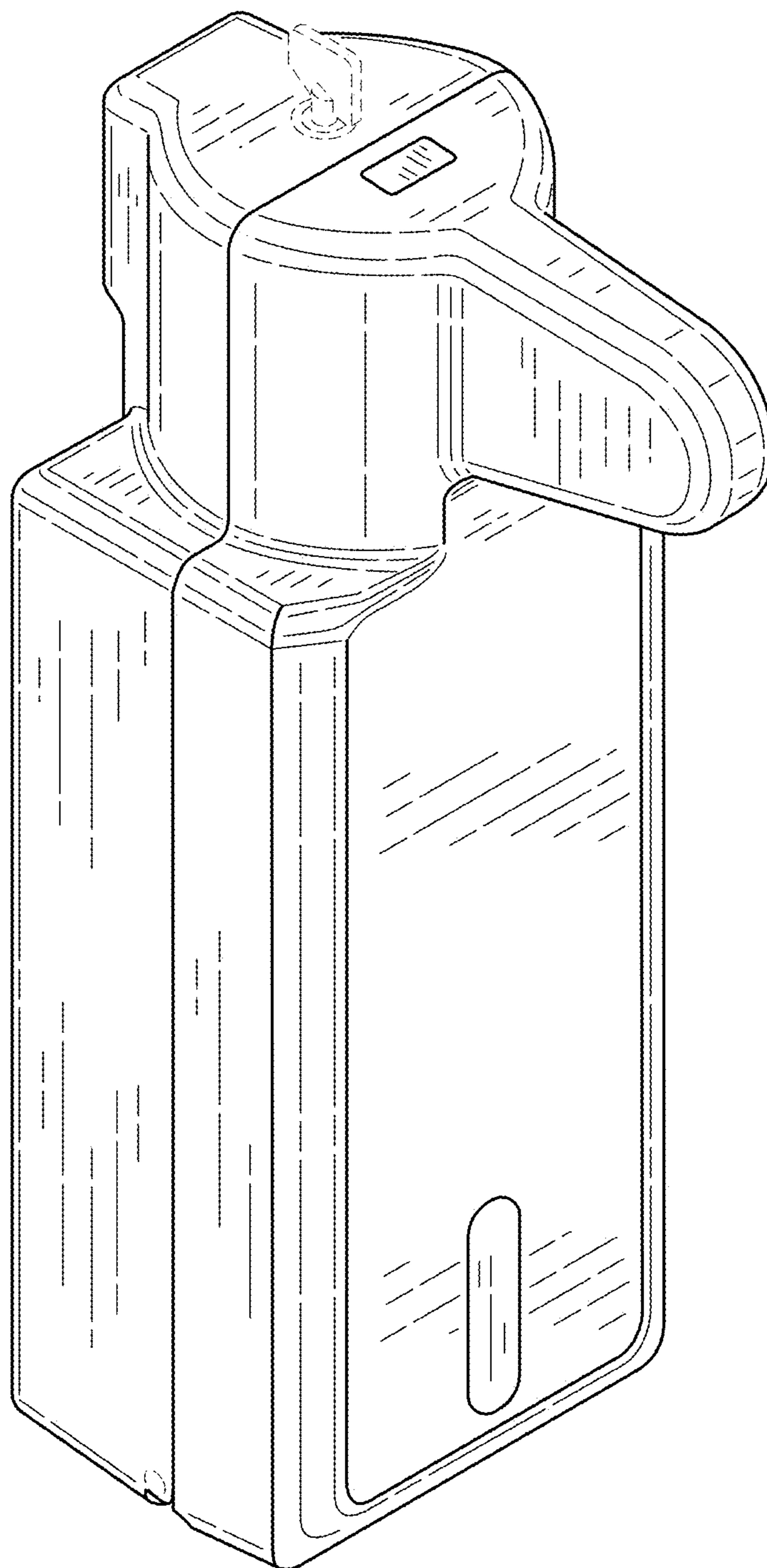


FIG.1

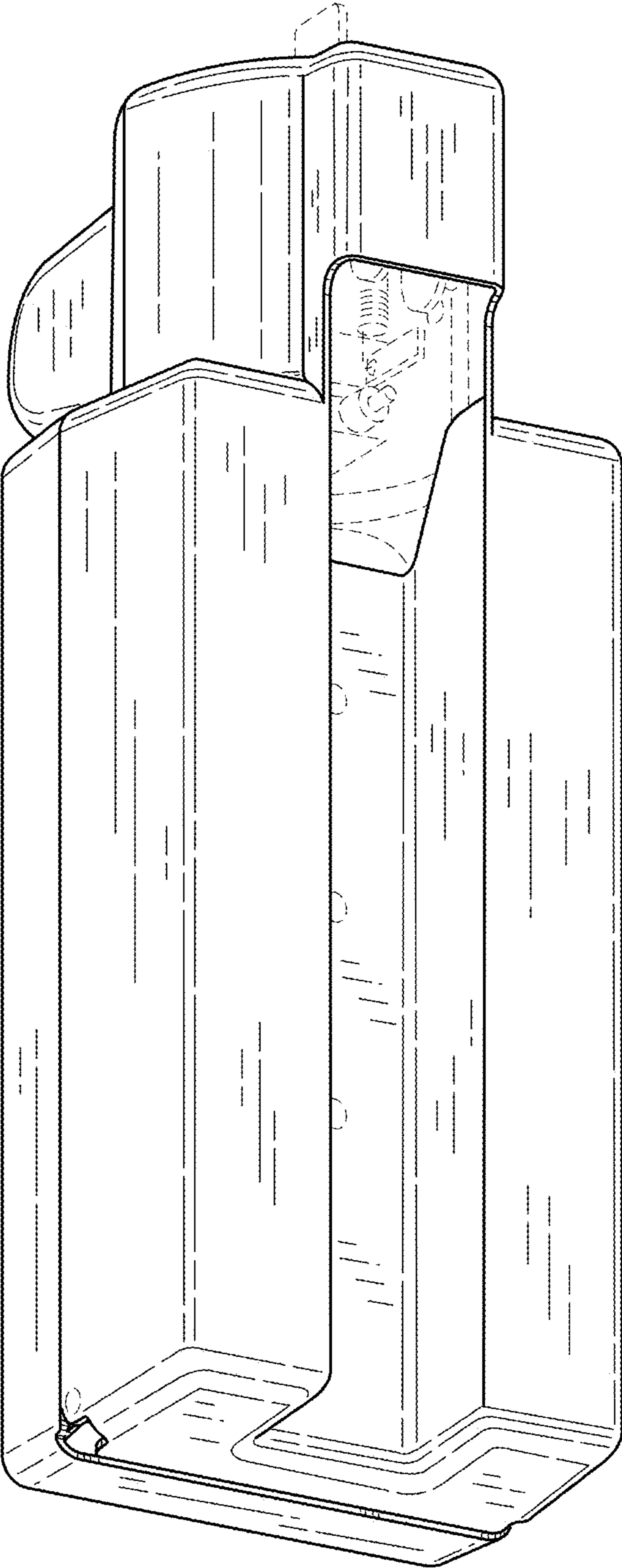


FIG.2

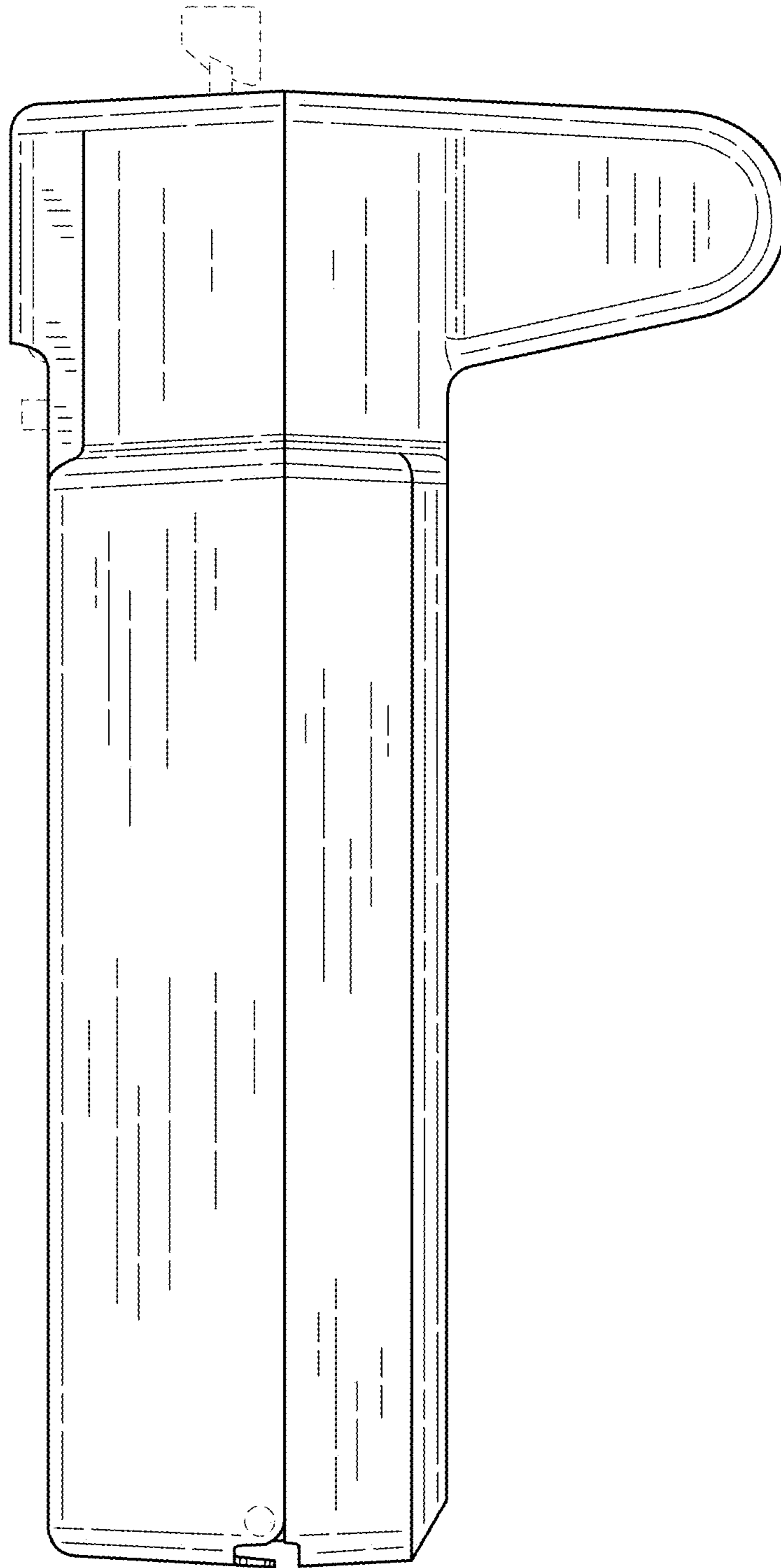


FIG.3

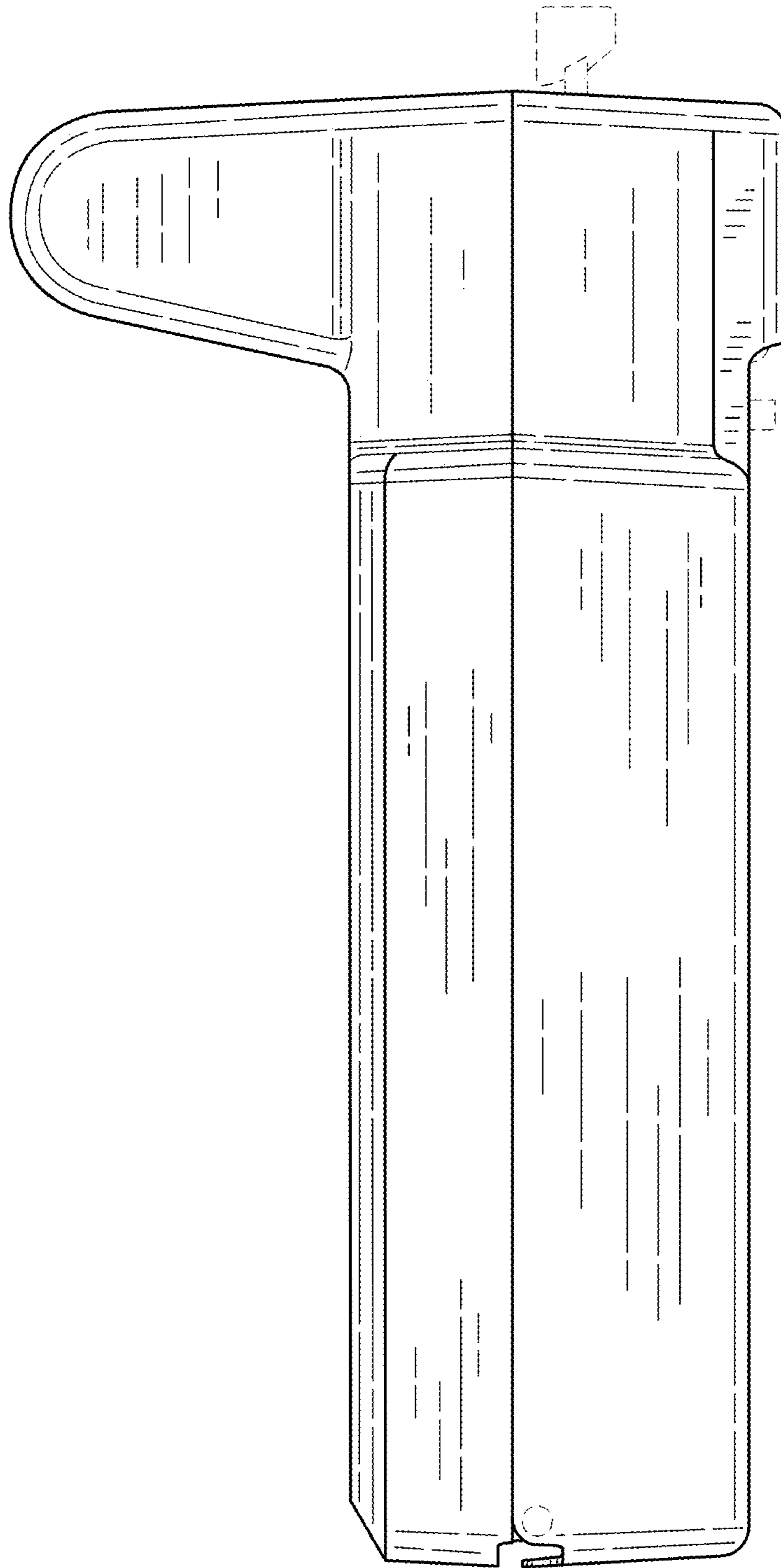


FIG.4



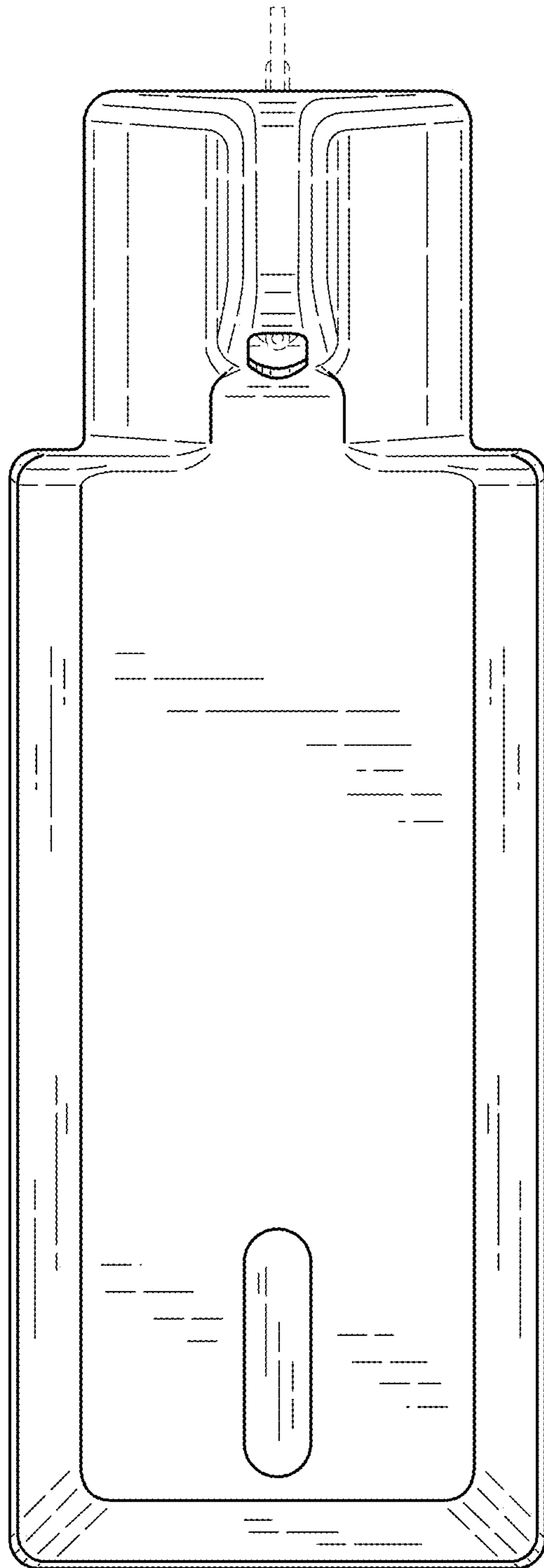


FIG.5

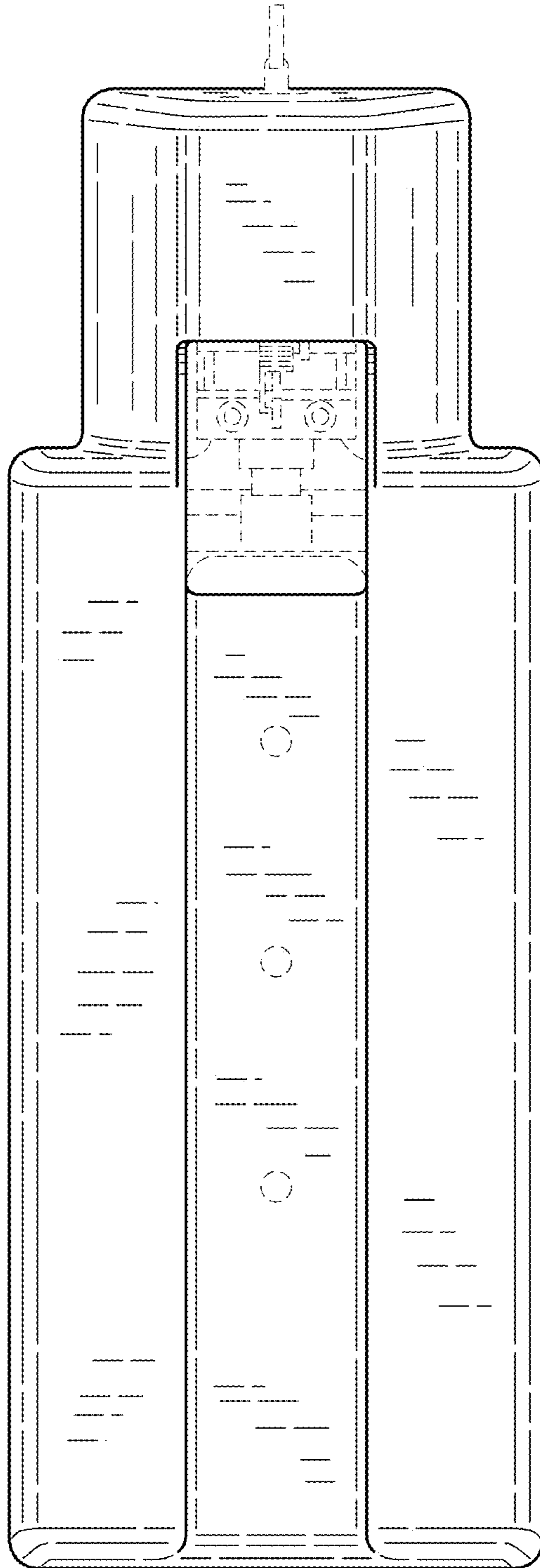


FIG.6

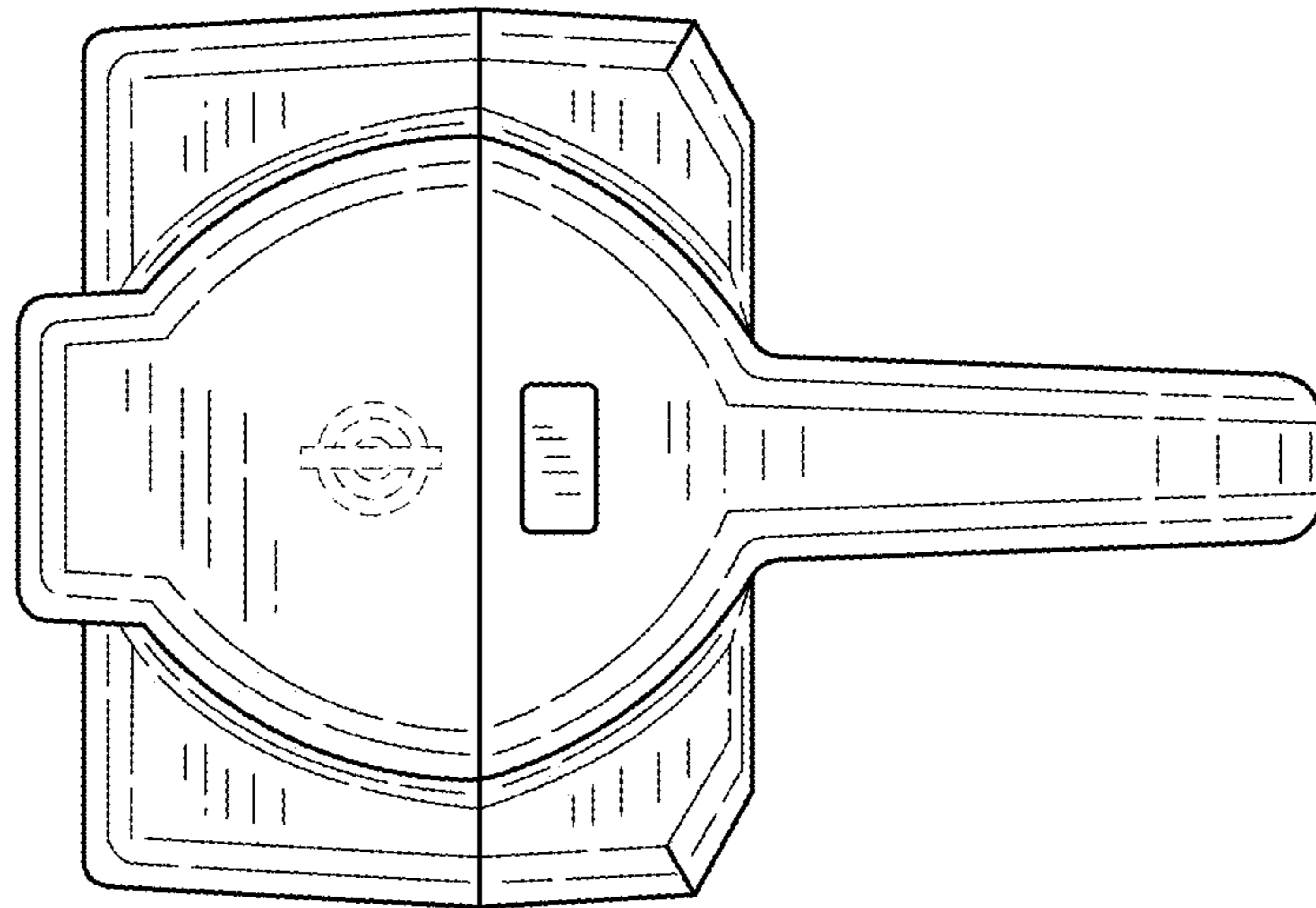


FIG. 7



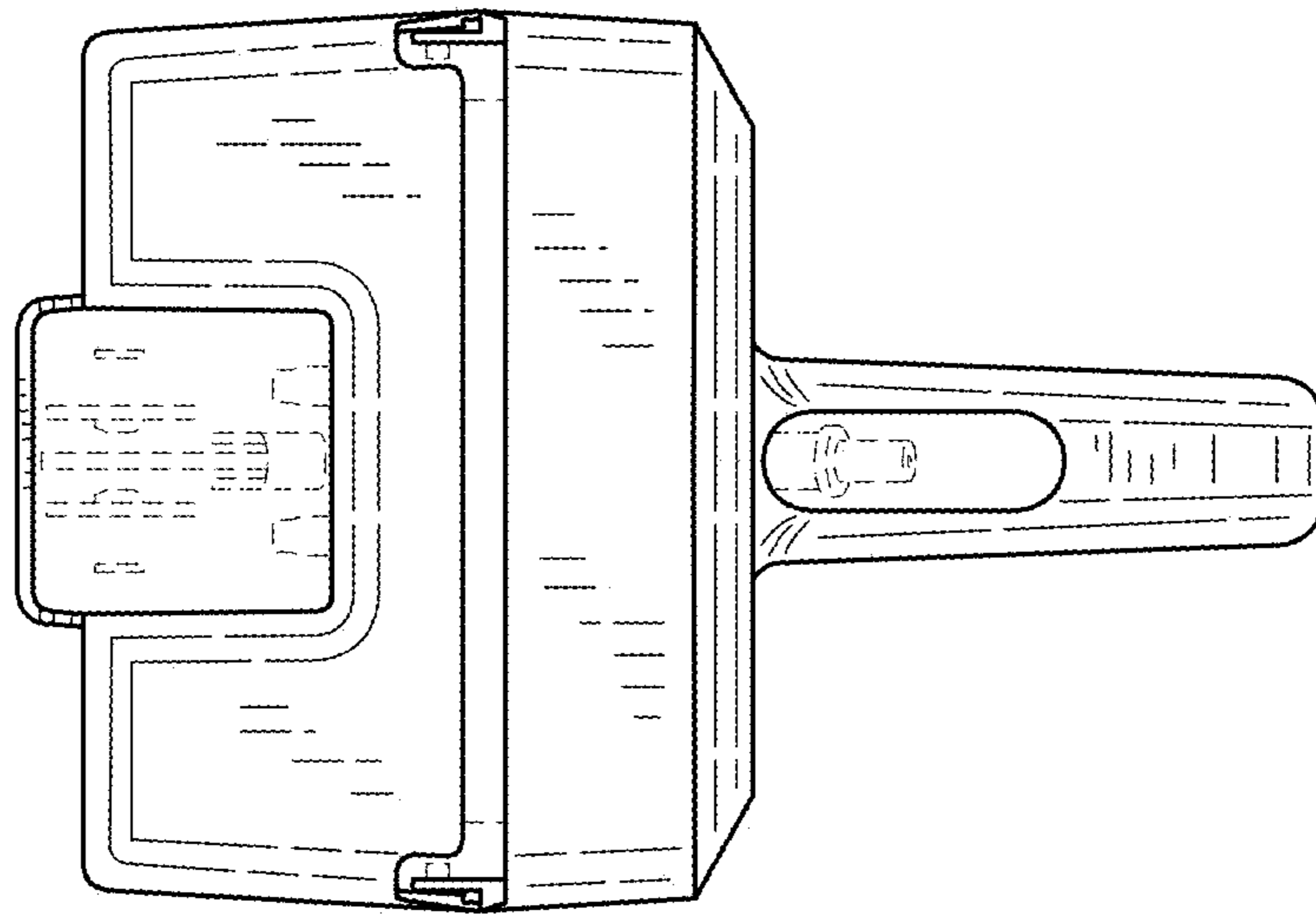


FIG.8