



US00D982899S

(12) **United States Design Patent** (10) **Patent No.:** **US D982,899 S**  
**He** (45) **Date of Patent:** **\*\* Apr. 11, 2023**

(54) **CROSSBODY BAG**  
(71) Applicant: **Meien He**, Guangdong (CN)  
(72) Inventor: **Meien He**, Guangdong (CN)  
(\*\*) Term: **15 Years**  
(21) Appl. No.: **29/884,138**  
(22) Filed: **Feb. 8, 2023**  
(51) **LOC (14) Cl.** ..... **03-01**  
(52) **U.S. Cl.**  
USPC ..... **D3/243**  
(58) **Field of Classification Search**  
USPC ..... D3/226, 232, 234, 243, 245, 246  
CPC ..... A45C 1/024; A45C 3/00; A45C 3/001;  
A45C 3/06; A45C 3/08  
See application file for complete search history.

D479,647 S \* 9/2003 Paura ..... D3/215  
D520,234 S \* 5/2006 Schmitt ..... D3/243  
D553,350 S \* 10/2007 Dvorak ..... D3/217  
D582,664 S \* 12/2008 Degliobizzi ..... D3/232  
D587,007 S \* 2/2009 Phillips, III ..... D3/216  
D600,010 S \* 9/2009 Verhoeven ..... D3/232  
D607,205 S \* 1/2010 Sabbah ..... D3/243  
D631,247 S \* 1/2011 Sabbah ..... D3/232  
D741,596 S \* 10/2015 Staley ..... D3/233  
D770,174 S \* 11/2016 Smith, Sr. .... A45C 11/04  
D3/232  
D781,110 S \* 3/2017 Jacobsen ..... A45C 13/30  
D3/243  
D794,950 S \* 8/2017 Gavriel ..... D3/243  
D855,981 S \* 8/2019 Vickery ..... A45C 13/02  
D3/243

(Continued)

*Primary Examiner* — Steven J Czyz  
(74) *Attorney, Agent, or Firm* — Kunzler Bean &  
Adamson, PC; Michael Bartholomew

(56) **References Cited**

U.S. PATENT DOCUMENTS

2,479,472 A \* 8/1949 Coplon ..... A45C 11/04  
D3/265  
D252,355 S \* 7/1979 Uber ..... D3/226  
D273,535 S \* 4/1984 Weinreb ..... D3/268  
D291,844 S \* 9/1987 Gerver ..... D3/243  
D325,126 S \* 4/1992 Costello ..... D3/243  
D343,951 S \* 2/1994 Petty ..... D3/249  
D351,062 S \* 10/1994 Shapland ..... D3/242  
D354,619 S \* 1/1995 Soukeras ..... D3/217  
D354,849 S \* 1/1995 Herman ..... D34/26  
D368,581 S \* 4/1996 Cincotta ..... D3/218  
D380,605 S \* 7/1997 Ramos ..... D3/218  
D381,506 S \* 7/1997 Roeder ..... D3/246  
D396,554 S \* 8/1998 Roeder ..... D3/243  
D398,777 S \* 9/1998 Epstein ..... D3/218  
D420,793 S \* 2/2000 Vreeland ..... D3/217  
D423,211 S \* 4/2000 Giliberti ..... D3/226  
D425,699 S \* 5/2000 Lau ..... D3/226  
D429,881 S \* 8/2000 Gray ..... D3/215  
D477,908 S \* 8/2003 Mear ..... D3/226

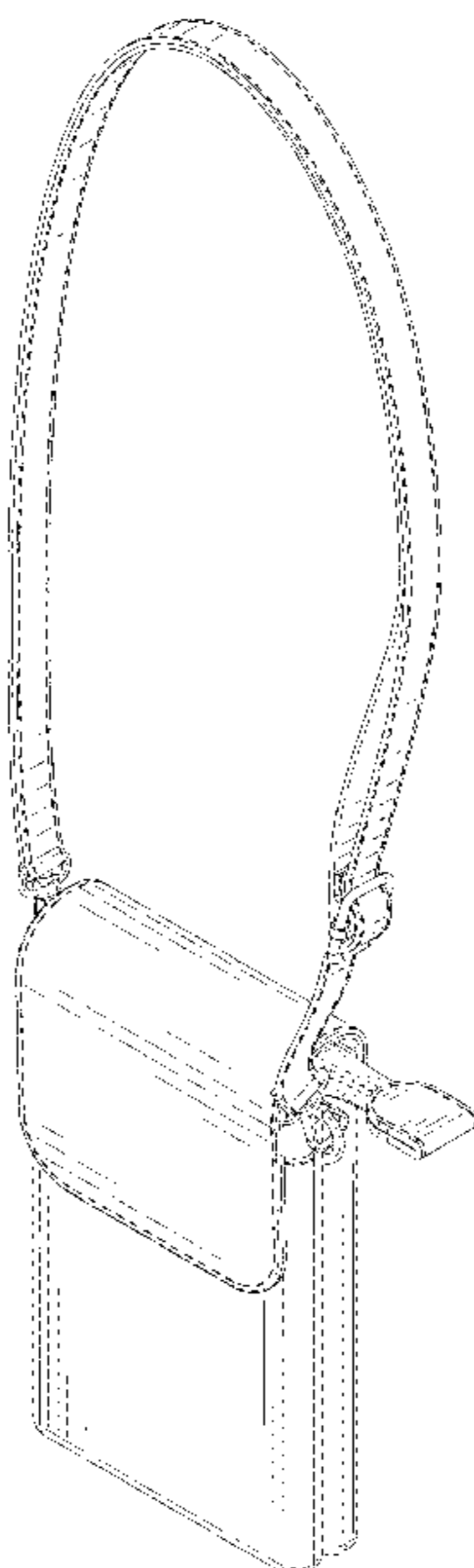
(57) **CLAIM**

The ornamental design for a crossbody bag, as shown and described.

**DESCRIPTION**

FIG. 1 is a front, right and top perspective view of a crossbody bag, showing my design.  
FIG. 2 is a rear, left and bottom perspective view thereof.  
FIG. 3 is a front elevation view thereof.  
FIG. 4 is a rear elevation view thereof.  
FIG. 5 is a left side elevation view thereof.  
FIG. 6 is a right side elevation view thereof.  
FIG. 7 is a top plan view thereof; and,  
FIG. 8 is a bottom plan view thereof.  
The long evenly-spaced broken lines illustrate stitching and forms part of the claimed design. The short evenly-spaced broken lines depict portions of the crossbody bag that form no part of the claimed design.

**1 Claim, 8 Drawing Sheets**



(56)

**References Cited**

U.S. PATENT DOCUMENTS

D857,380 S \* 8/2019 Dumas ..... D3/232  
D876,086 S \* 2/2020 De Libran ..... A45C 1/00  
D3/232  
D899,073 S \* 10/2020 Bloom ..... D3/201  
D901,889 S \* 11/2020 Jacobs ..... D3/245  
D901,892 S \* 11/2020 Forbes ..... D3/215  
D953,017 S \* 5/2022 Dumas ..... D3/232  
D966,701 S \* 10/2022 Huang ..... D3/243  
D974,747 S \* 1/2023 He ..... A45F 3/04  
D3/217  
2020/0352297 A1\* 11/2020 Scalzini ..... A45C 13/02  
2022/0087385 A1\* 3/2022 Drake ..... A45C 13/30

\* cited by examiner

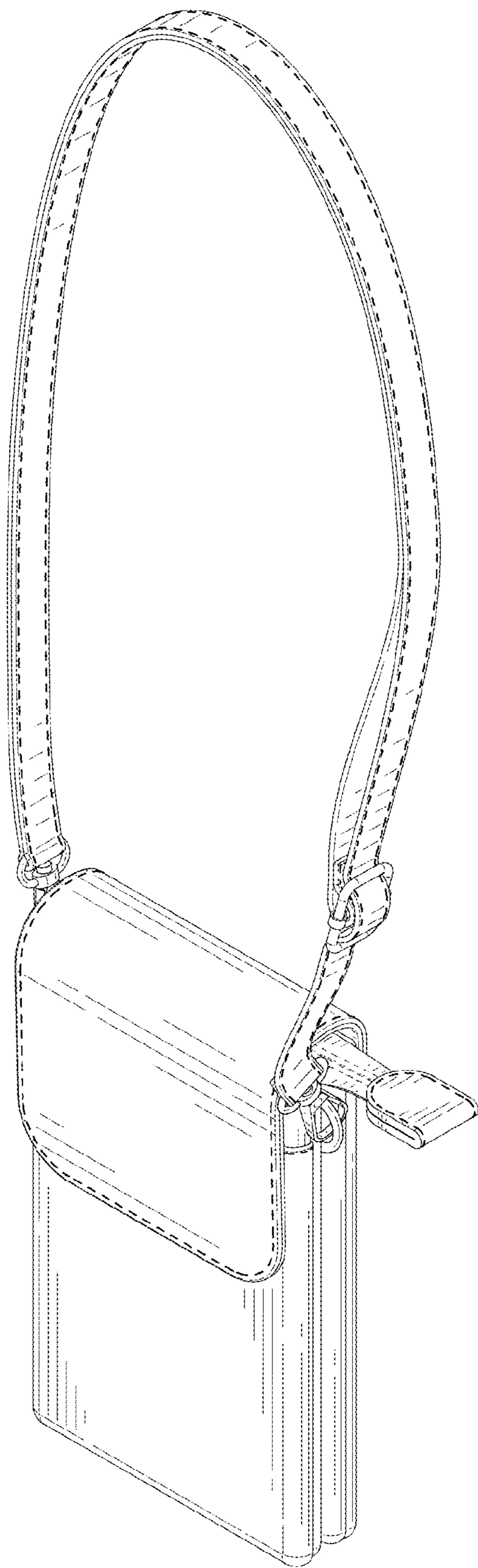


FIG. 1

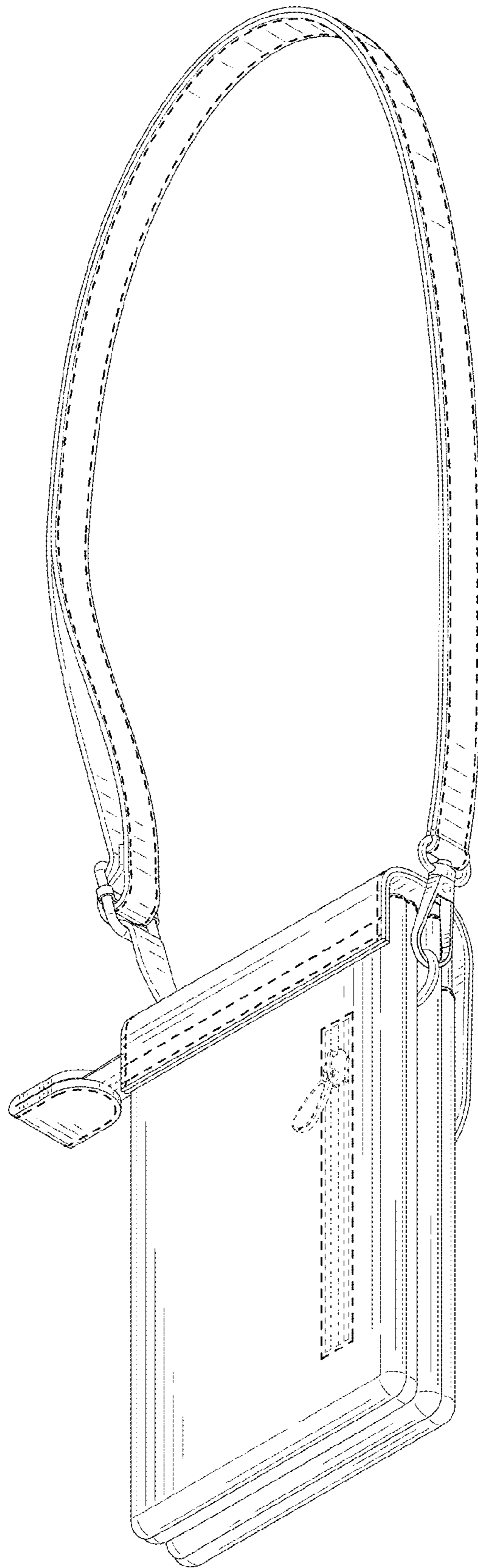


FIG. 2

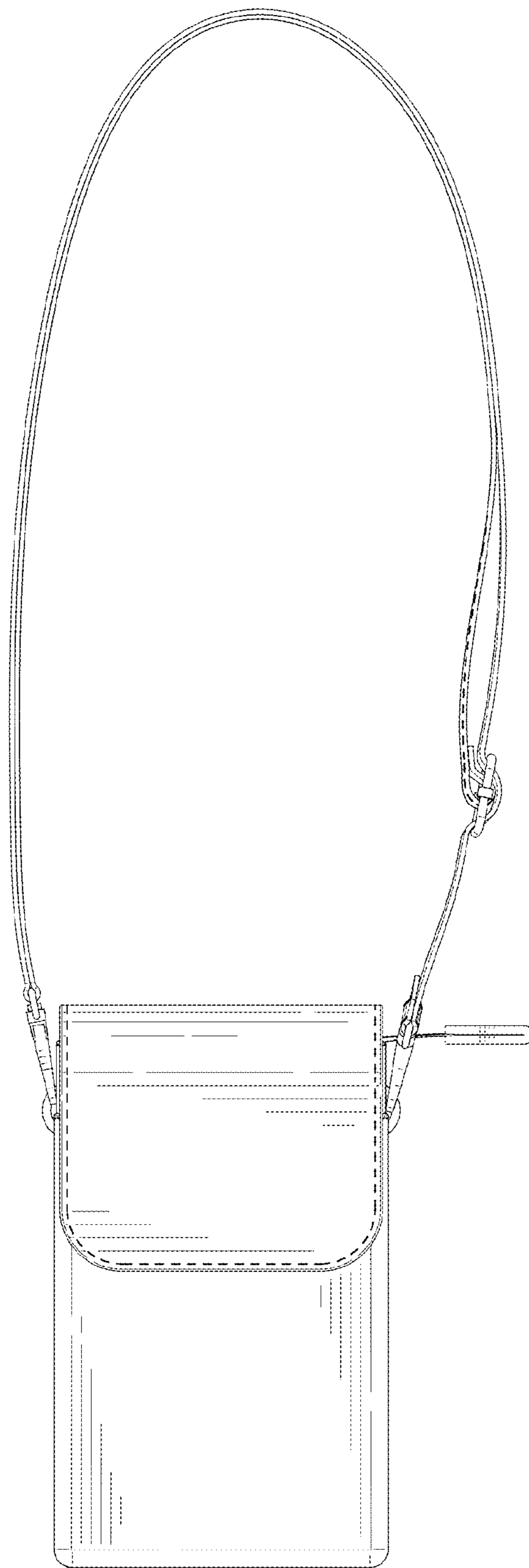


FIG. 3

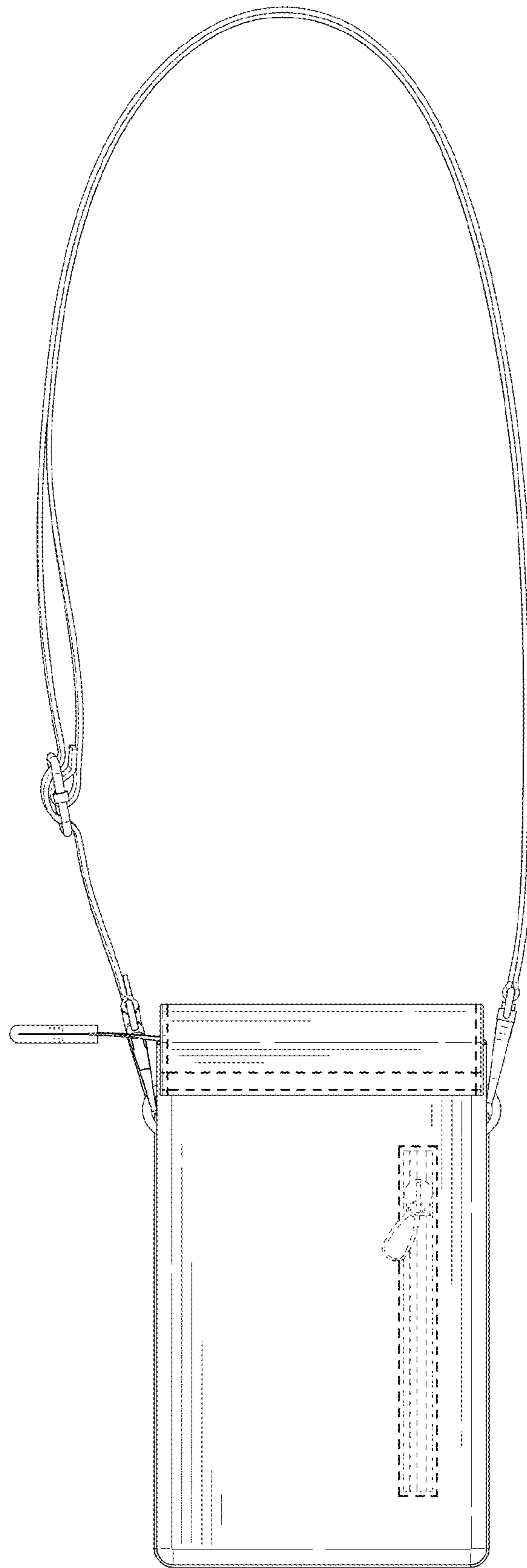


FIG. 4

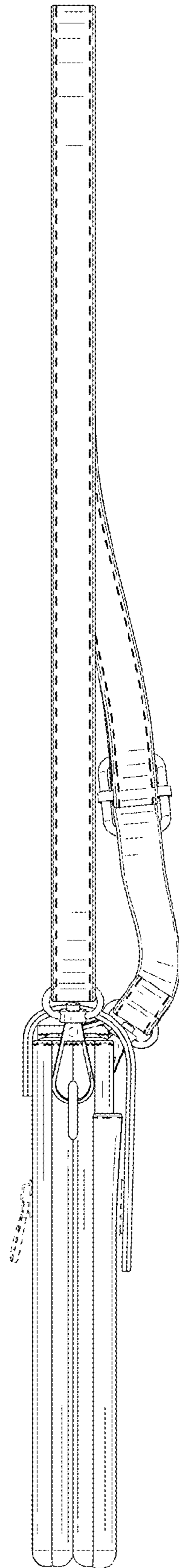


FIG. 5

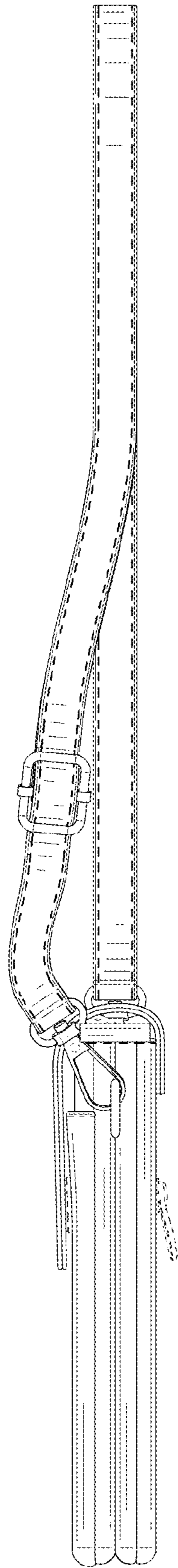


FIG. 6



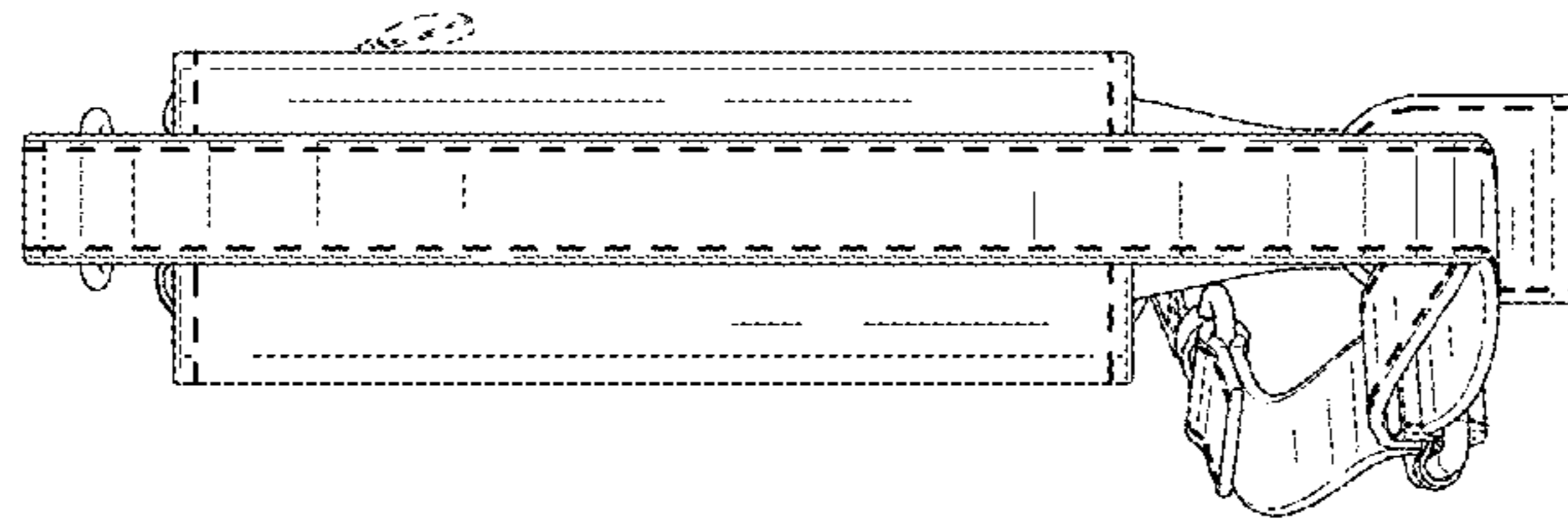


FIG. 7

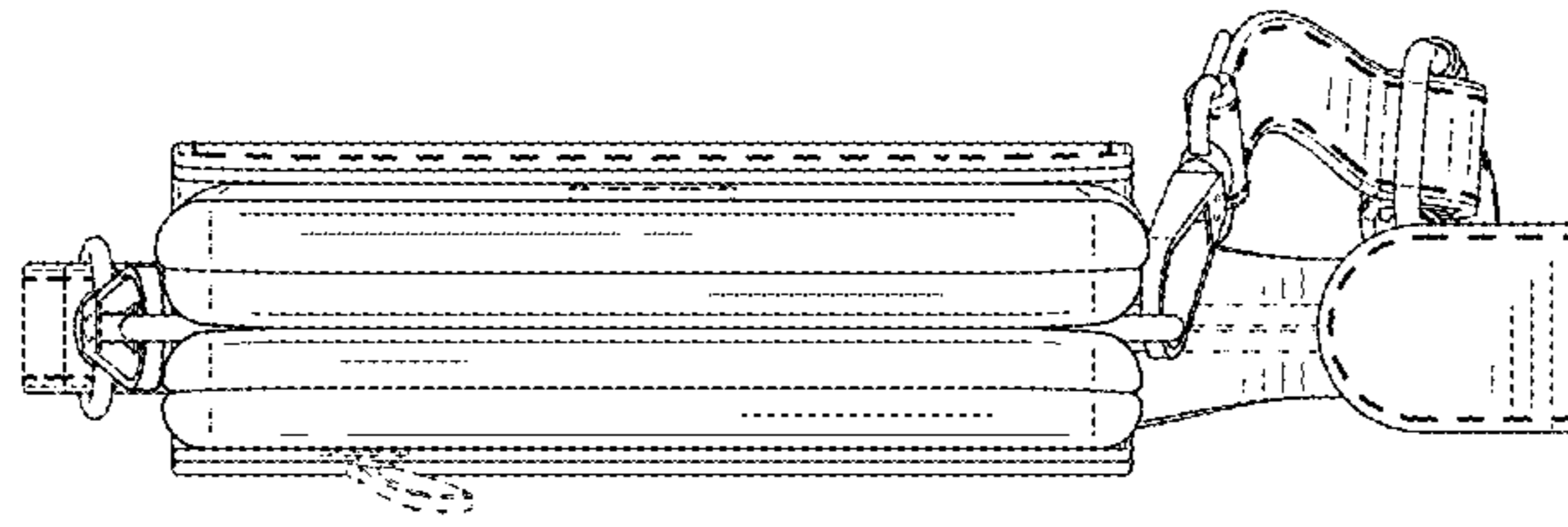


FIG. 8