



US00D982897S

(12) **United States Design Patent**  
**Ma**

(10) **Patent No.:** **US D982,897 S**  
(45) **Date of Patent:** **\*\* Apr. 11, 2023**

(54) **BACKPACK**

(71) Applicant: **Beilei Ma**, Wenzhou (CN)

(72) Inventor: **Beilei Ma**, Wenzhou (CN)

(\*\*) Term: **15 Years**

(21) Appl. No.: **29/791,326**

(22) Filed: **Jan. 8, 2022**

(30) **Foreign Application Priority Data**

Dec. 8, 2021 (CN) ..... 202130809753.8

(51) **LOC (14) Cl.** ..... **03-01**

(52) **U.S. Cl.**  
USPC ..... **D3/217**

(58) **Field of Classification Search**  
USPC ..... D3/213–217, 221, 224–233, 242–244,  
D3/254–262

CPC .... A45F 3/00; A45F 3/005; A45F 3/02; A45F  
3/04; A45F 3/042; A45F 3/047; A45F  
3/06; A45F 3/08; A45F 3/10; A45F  
2003/001; A45F 2003/002; A45F  
2003/003; A45F 2003/006; A45F  
2003/007; A45F 2003/008; A45F  
2003/025; A45F 2003/045; A45F  
2200/00; A45F 2200/05; A45F  
2200/0525; A45F 2200/0533

See application file for complete search history.

(56) **References Cited**

**U.S. PATENT DOCUMENTS**

D404,539 S *	1/1999	Glasser	.....	D3/217
D408,133 S *	4/1999	Francis	.....	D3/214
D415,344 S *	10/1999	Leibowitz	.....	D3/217
D420,792 S *	2/2000	Sakelliou	.....	D3/217
D463,659 S *	10/2002	Clark	.....	D3/217
7,892,064 B2 *	2/2011	Carruth	.....	A63H 33/00 446/73

(Continued)

**FOREIGN PATENT DOCUMENTS**

CN	307318909	*	5/2022
CN	307342897	*	5/2022
CN	307414285	*	6/2022
GB	6203274	*	4/2022

**OTHER PUBLICATIONS**

Jansport Backpack Originals Special Edition Grey Black Red—Rings/Holes Design, available at ebay.com, earliest date available Mar. 20, 2019 [online], site visited Aug. 29, 2022, available from the internet URL: <https://www.ebay.com/itm/233172284645> (Year: 2019).\*

(Continued)

*Primary Examiner* — April Rivas

*Assistant Examiner* — Jillian Mazzola

(74) *Attorney, Agent, or Firm* — Jeenam Park

(57) **CLAIM**

The ornamental design for a backpack, as shown and described.

**DESCRIPTION**

FIG. 1 is a perspective view of a backpack, showing my new design;

FIG. 2 is a perspective view showing the design in an alternate decorated configuration;

FIG. 3 is another perspective view of the backpack of FIG. 1;

FIG. 4 is a front view of the backpack of FIG. 1;

FIG. 5 is a rear view of the backpack of FIG. 1;

FIG. 6 is a left side view of the backpack of FIG. 1;

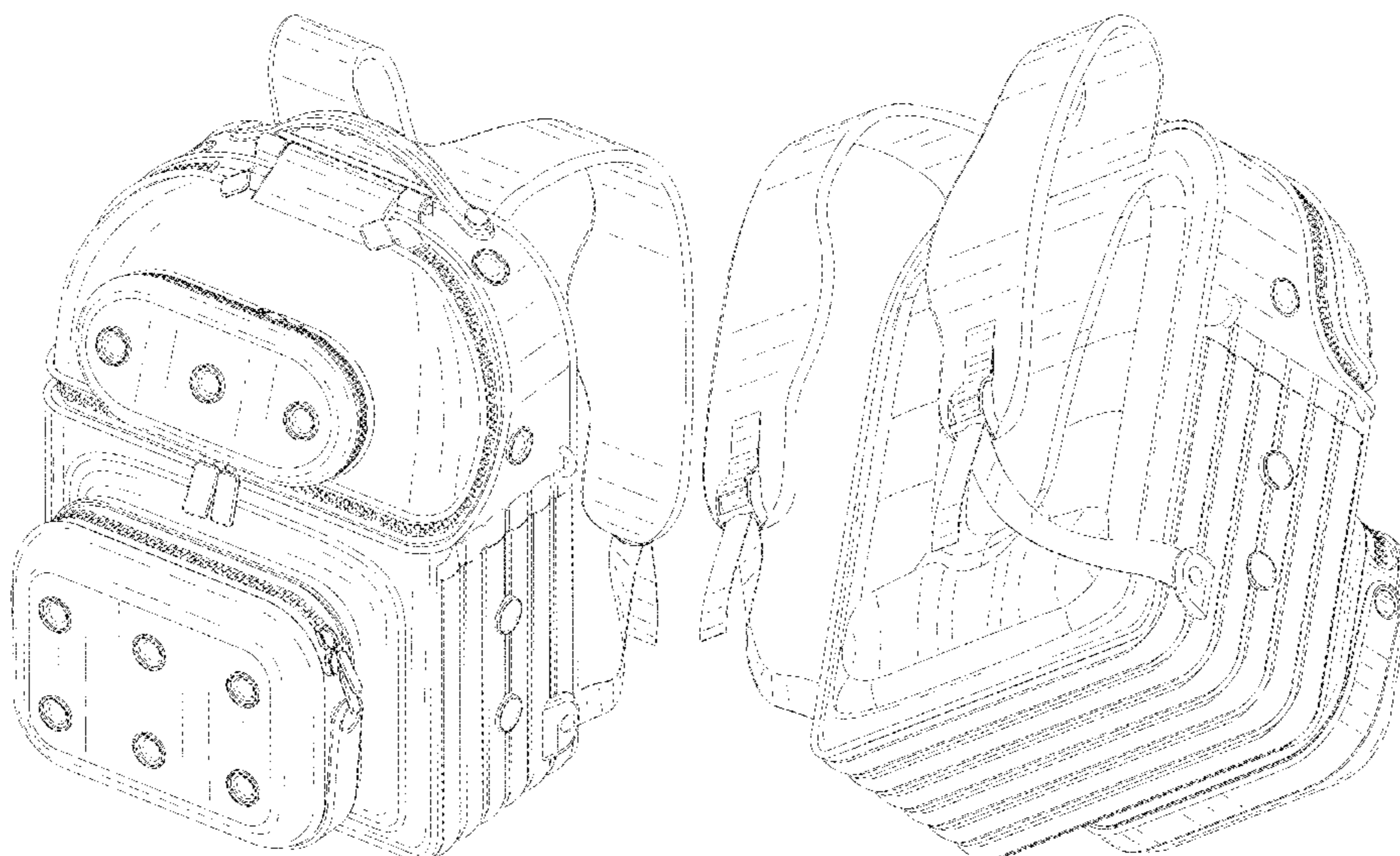
FIG. 7 is a right side view of the backpack of FIG. 1;

FIG. 8 is a top plan view of the backpack of FIG. 1; and,

FIG. 9 is a bottom plan view thereof.

The broken line showing of the backpack is for the purpose of illustrating portions of the article that form no part of the claimed design.

**1 Claim, 9 Drawing Sheets**



(56)

**References Cited**

U.S. PATENT DOCUMENTS

D702,434 S \* 4/2014 Chalk ..... A45F 3/04  
 D3/217  
 D714,541 S \* 10/2014 Anderson ..... D3/217  
 D742,631 S \* 11/2015 Kim ..... D3/217  
 9,635,445 B1 \* 4/2017 Ridley ..... H04R 1/028  
 D833,141 S \* 11/2018 Carter ..... D3/217  
 D887,136 S \* 6/2020 Tan ..... D3/260  
 D903,304 S 12/2020 Kirkwood  
 D919,286 S 5/2021 Rabe et al.  
 D947,524 S \* 4/2022 Tan ..... A45C 7/0063  
 D3/217  
 2008/0053864 A1 \* 3/2008 Nonas ..... A45C 11/20  
 190/102  
 2020/0000208 A1 \* 1/2020 Liu ..... A45F 3/042

OTHER PUBLICATIONS

Doca Bag Set 17918, available at bode.gr, date not available [online], site visited Aug. 29, 2022, available from the internet URL:

<https://bode.gr/en/win-win/set-tsantes-portofolia/set-doca-tsanta-17918-chryso-portofoli-verde-18-1103-y0100033-26.htm>(Year: 2022).\*  
 Pacmaxi Oxygen Backpack, available at amazon.com, earliest date available Nov. 17, 2019 [online], site visited Aug. 29, 2022, available from the internet URL: <https://www.amazon.com/PACMAXI-Backpack-Wheelchair-Accessories-Reflective/dp/B081325LDR> (Year: 2019).\*  
 No Boundaries Black Grommet Mini Dome Backpack, available at walmart.com, date not available [online], site visited Aug. 29, 2022, available from the internet URL: <https://www.walmart.com/ip/No-Boundaries-Black-Grommet-Mini-Dome-Backpack/683625531> (Year: 2022).\*  
 Moda wodoodporny plecak, available at pl.aliexpress.com, date not available [online], site visited Aug. 29, 2022, available from the internet URL: <https://pl.aliexpress.com/item/3256802232010534.html?gatewayAdapt=glo2pol4itemAdapt> (Year: 2022).\*  
 Wodoodporna dziewczyna plecak, available at pl.aliexpress.com, date not available [online], site visited Aug. 29, 2022, available from the internet URL: <https://pl.aliexpress.com/i/3256802809945497.html?gatewayAdapt=glo2pol4itemAdapt> (Year: 2022).\*

\* cited by examiner





FIG. 1



FIG. 2





FIG. 3

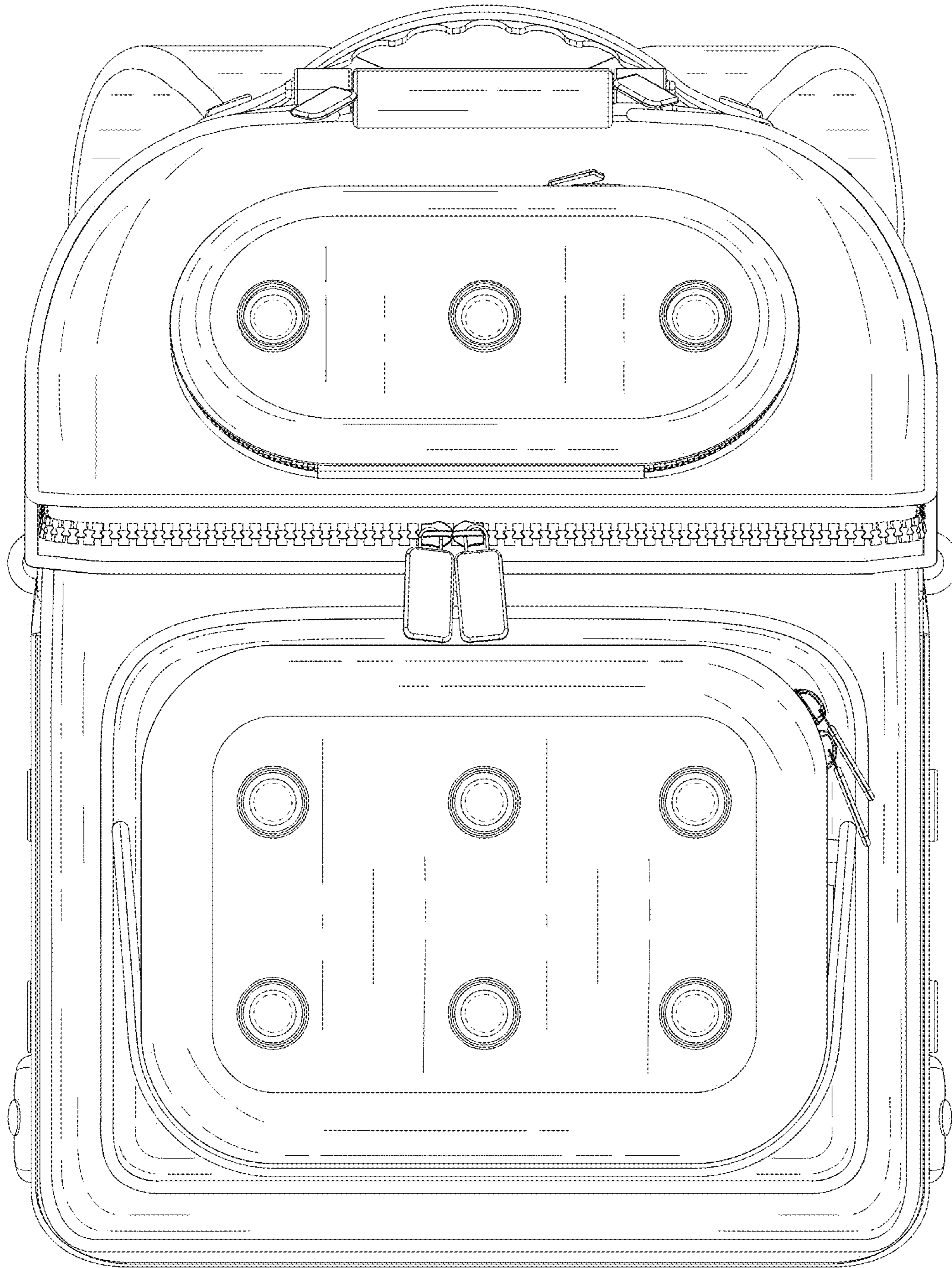


FIG. 4

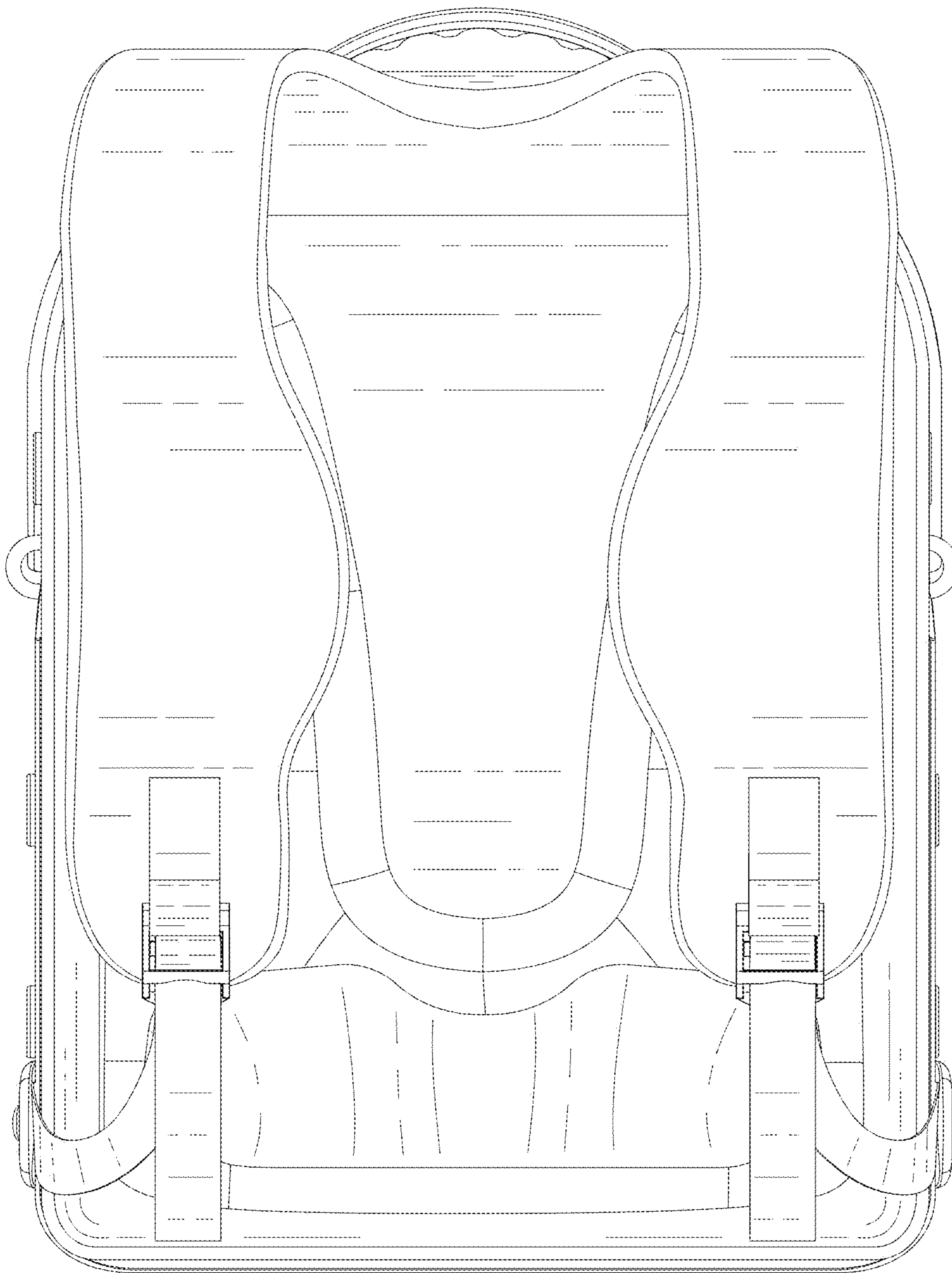


FIG. 5



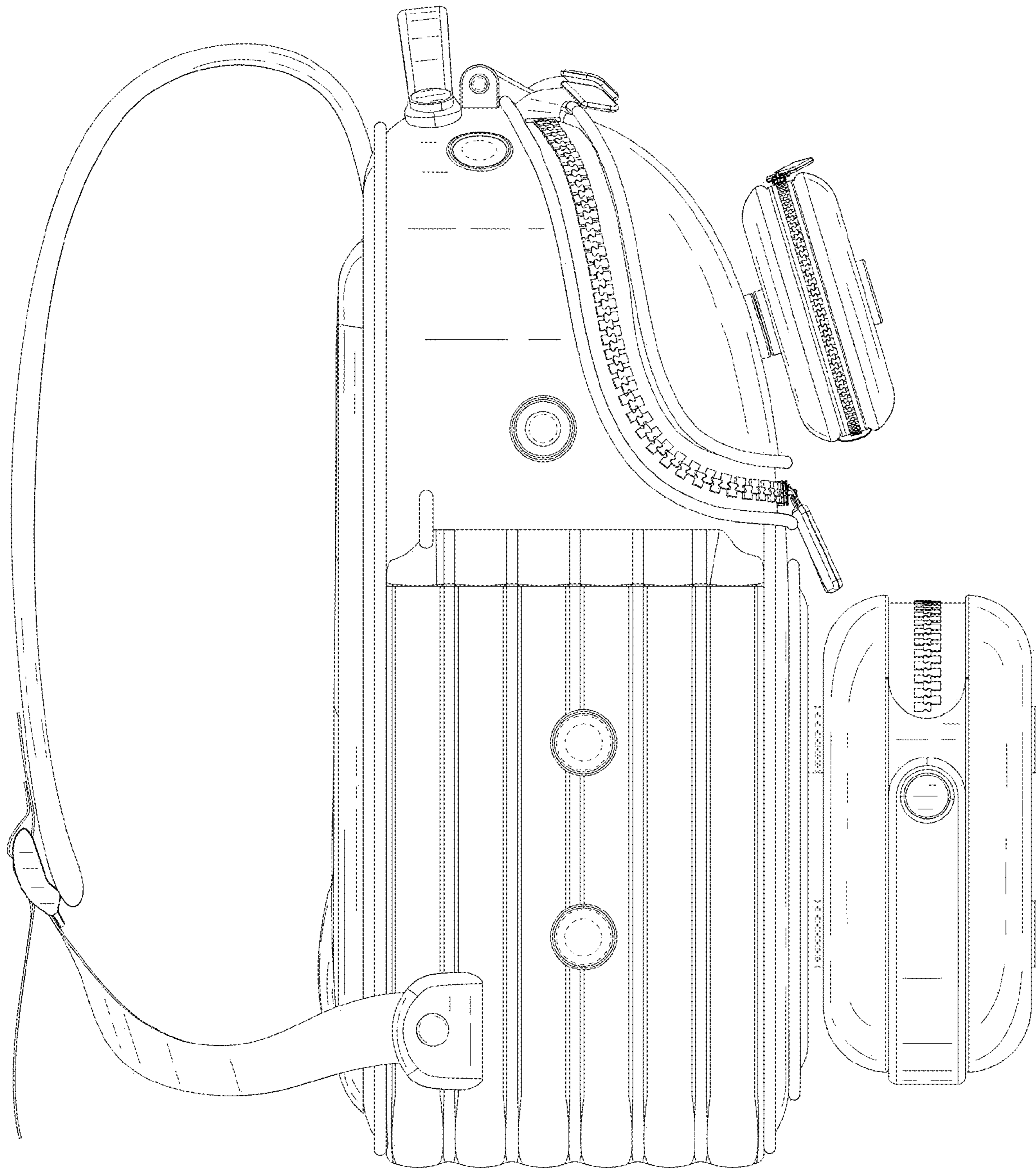


FIG. 6



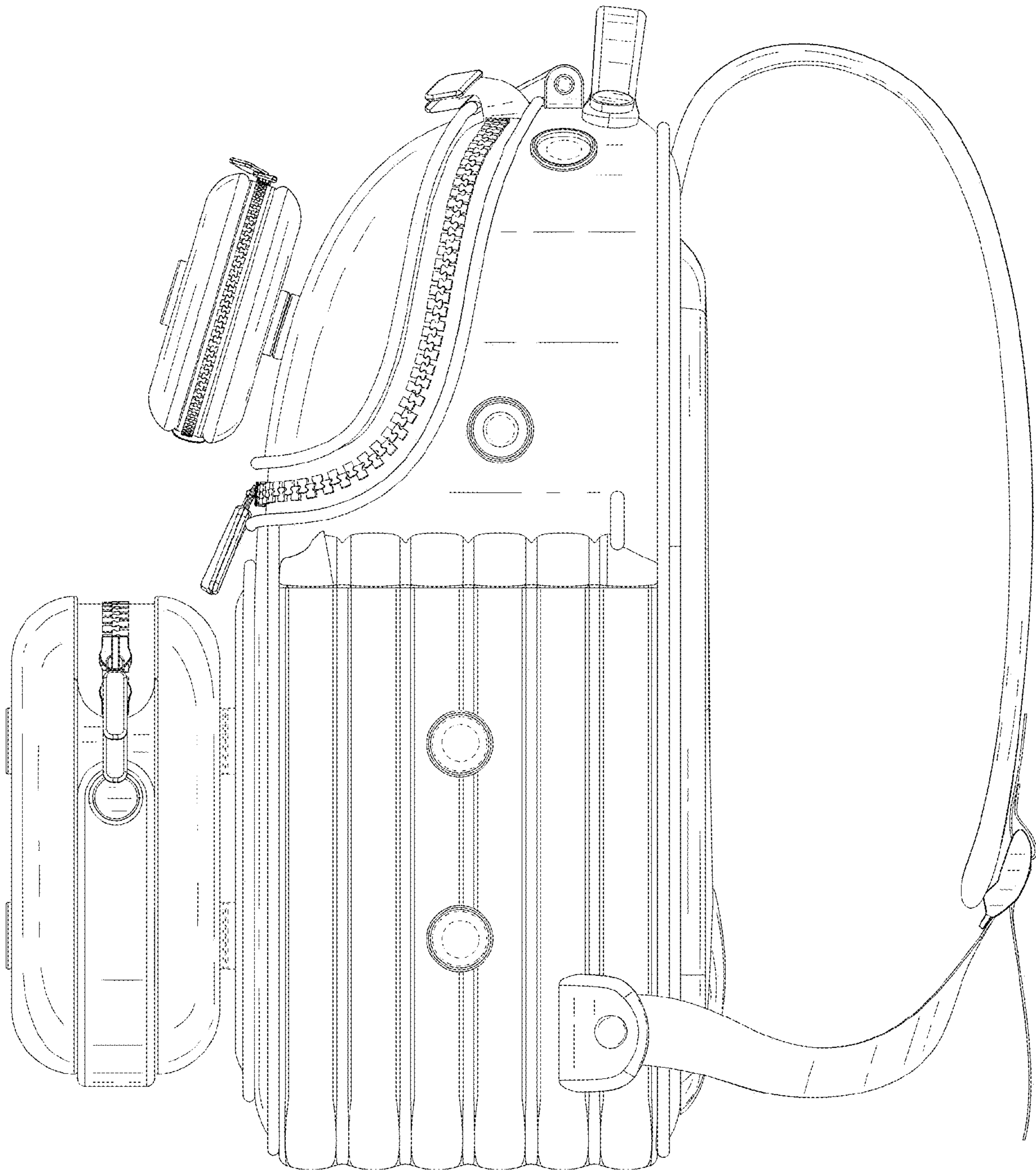


FIG. 7

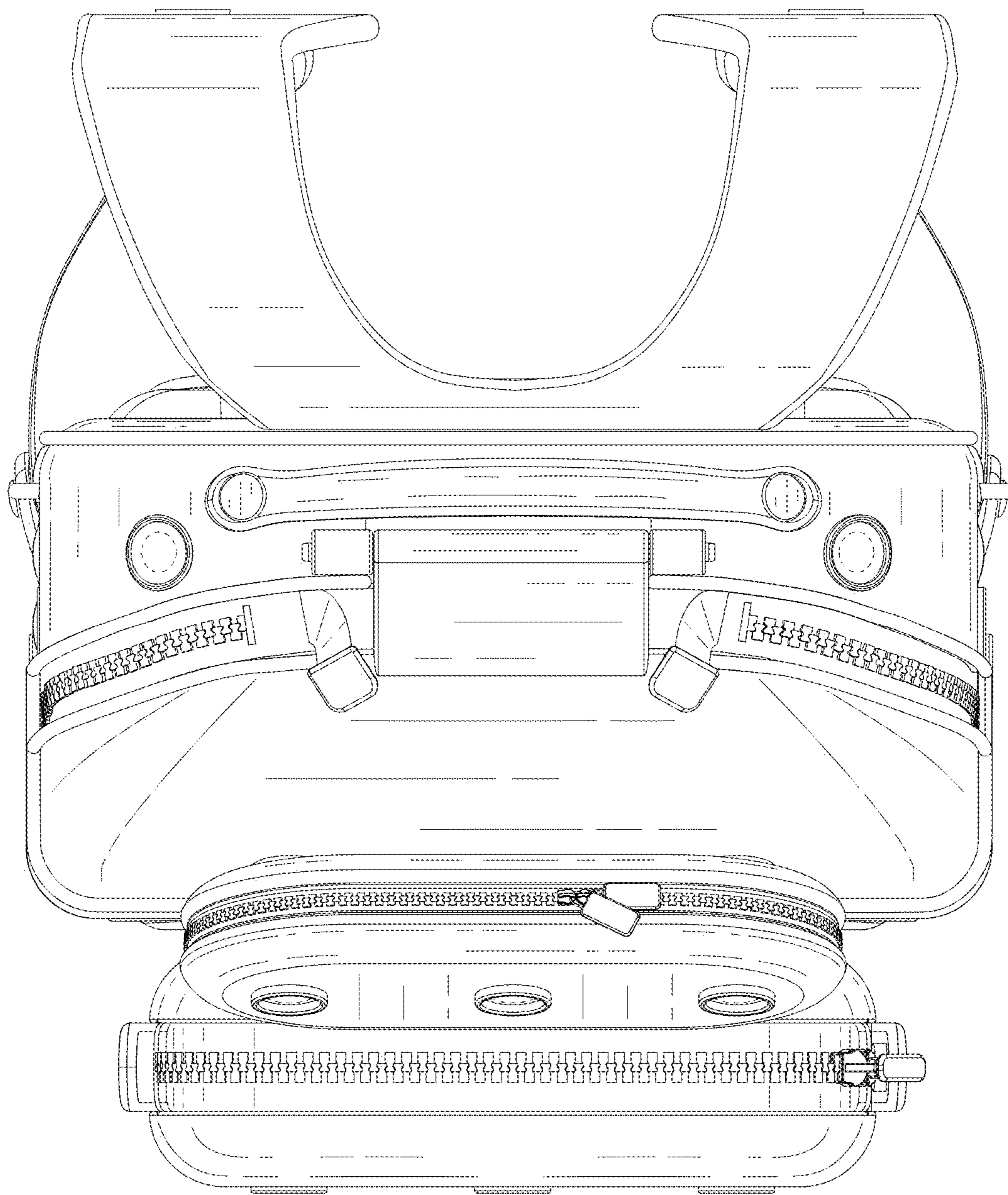


FIG. 8



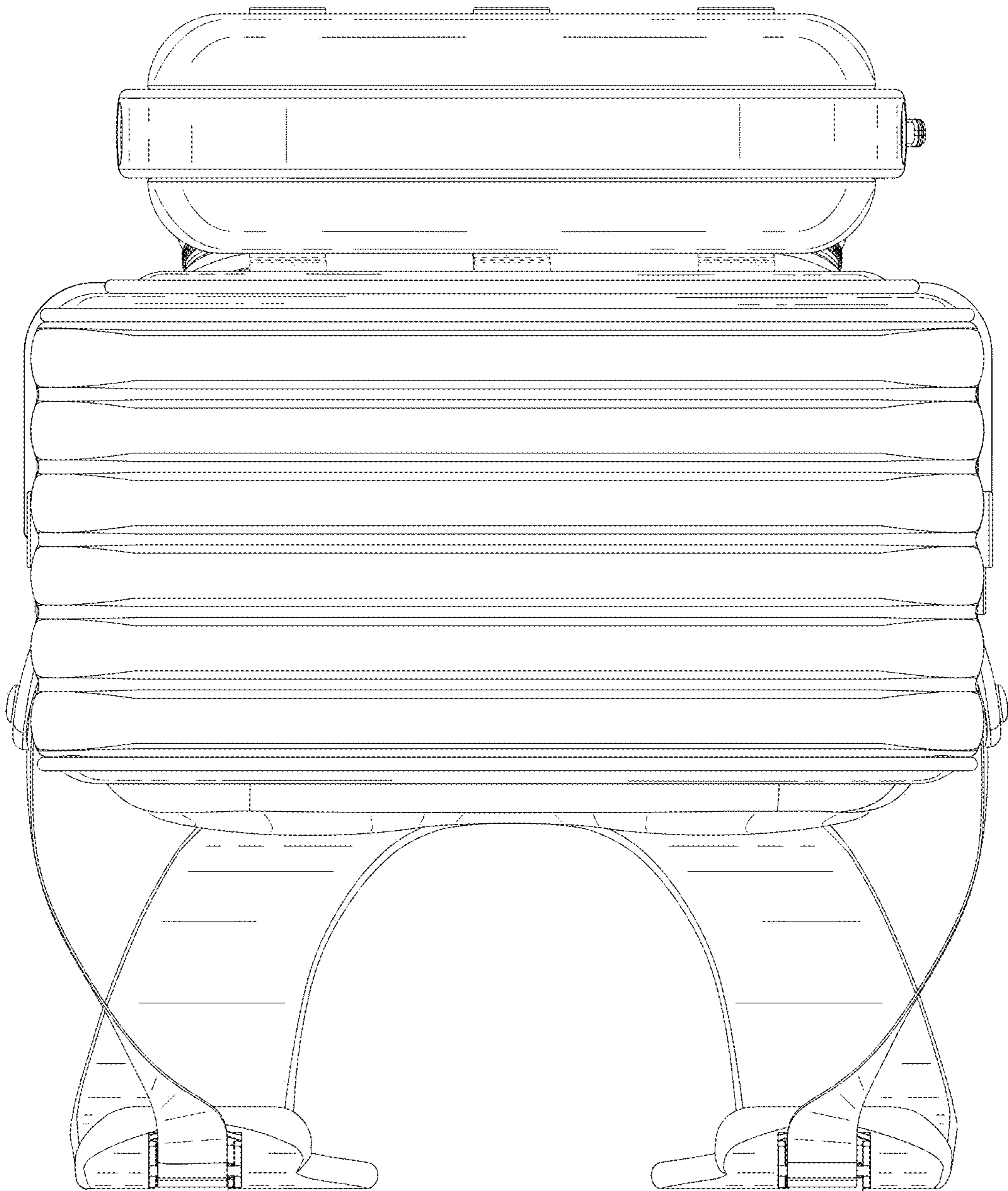


FIG. 9