



US00D982896S

(12) **United States Design Patent** (10) **Patent No.:** **US D982,896 S**
Bauer et al. (45) **Date of Patent:** **** Apr. 11, 2023**

(54) **LIP BALM HOLDER**

(71) Applicant: **Thread Wallets LLC**, Provo, UT (US)

(72) Inventors: **Colby S. Bauer**, Provo, UT (US);
Dillon M. Boyes, Vineyard, UT (US)

(73) Assignee: **THREAD WALLETS LLC**, Provo,
UT (US)

(**) Term: **15 Years**

(21) Appl. No.: **29/737,186**

(22) Filed: **Jun. 5, 2020**

(51) **LOC (14) Cl.** **03-01**

(52) **U.S. Cl.**
USPC **D3/212**

(58) **Field of Classification Search**
USPC D3/201, 207, 208, 209, 210, 211, 212
CPC A44B 15/00; Y10T 70/8676; B65D 23/12
See application file for complete search history.

(56) **References Cited**

U.S. PATENT DOCUMENTS

4,951,819	A *	8/1990	Gebert	A45C 11/329 206/37.2
5,181,847	A *	1/1993	Da Silva	F23Q 2/32 24/265 H
D347,297	S *	5/1994	Vesco	D28/73
D404,562	S *	1/1999	Brown	D3/215
D495,875	S *	9/2004	Spence, Jr.	D3/229
D502,311	S *	3/2005	Ellis	D3/215

OTHER PUBLICATIONS

Balm Buddies Clip-On Lip Balm Holder, reviewed Aug. 8, 2019 [online], [site visited Nov. 6, 2021]. Available from internet, URL: <<https://www.amazon.com/Balm-Buddies-Chapstick-Holder-Keychain/dp/B07TJCPCG2/>> (Year: 2019).*

* cited by examiner

Primary Examiner — Kevin K Rudzinski

Assistant Examiner — Amber J Rabie

(74) *Attorney, Agent, or Firm* — Workman Nydegger

(57) **CLAIM**

The ornamental design for a lip balm holder, as shown and described.

DESCRIPTION

FIG. 1 is a top, facing, right perspective view of our new design for a lip balm holder, shown in an exemplary use environment;

FIG. 2 is a top, facing, right perspective view of our new design for a lip balm holder;

FIG. 3 is an elevated facing view thereof;

FIG. 4 is an elevated rear view thereof;

FIG. 5 is a top, plan view thereof;

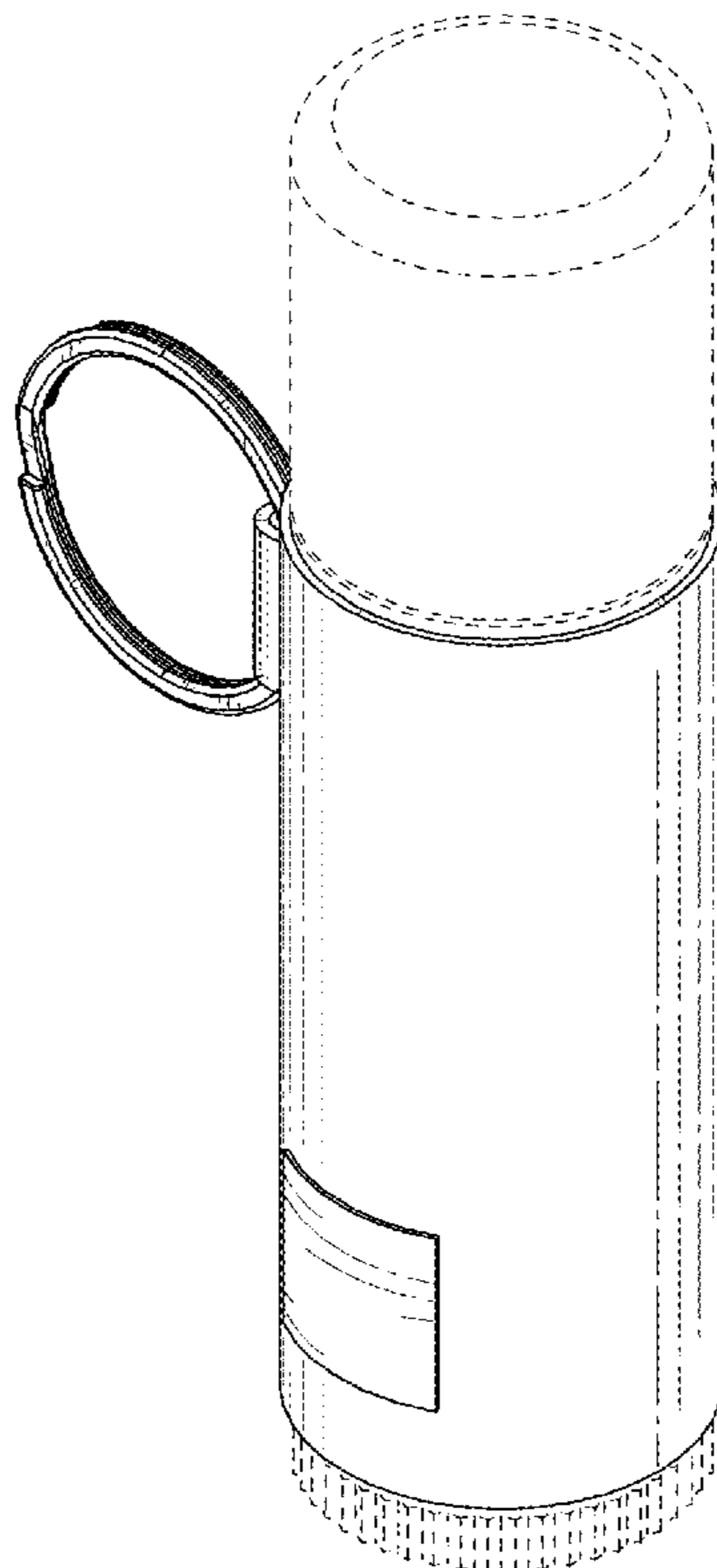
FIG. 6 is a bottom, plan view thereof;

FIG. 7 is an elevated right side view thereof; and,

FIG. 8 is an elevated left side view thereof.

Dashed lines of equal length in FIG. 1 represent environment that forms no part of the claimed design.

1 Claim, 4 Drawing Sheets



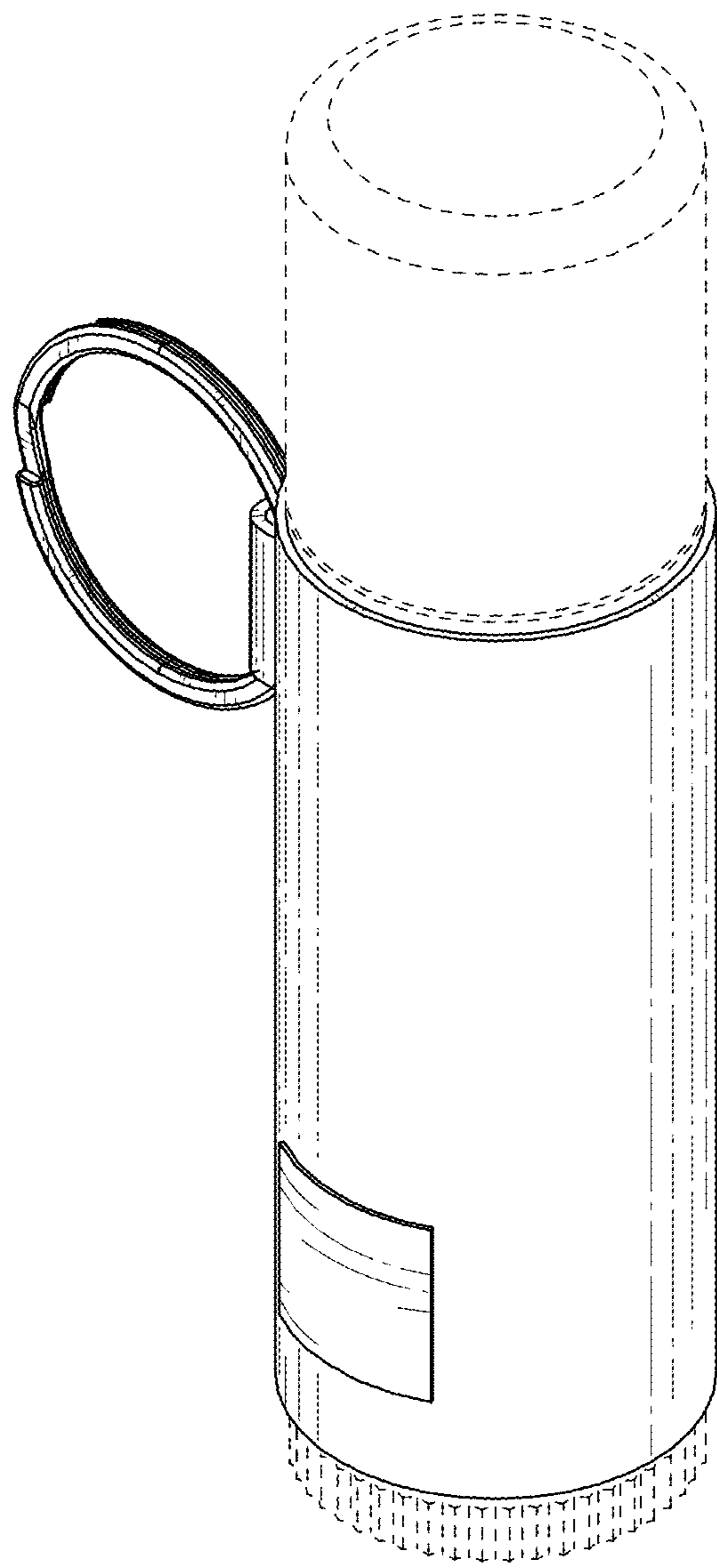


FIG. 1

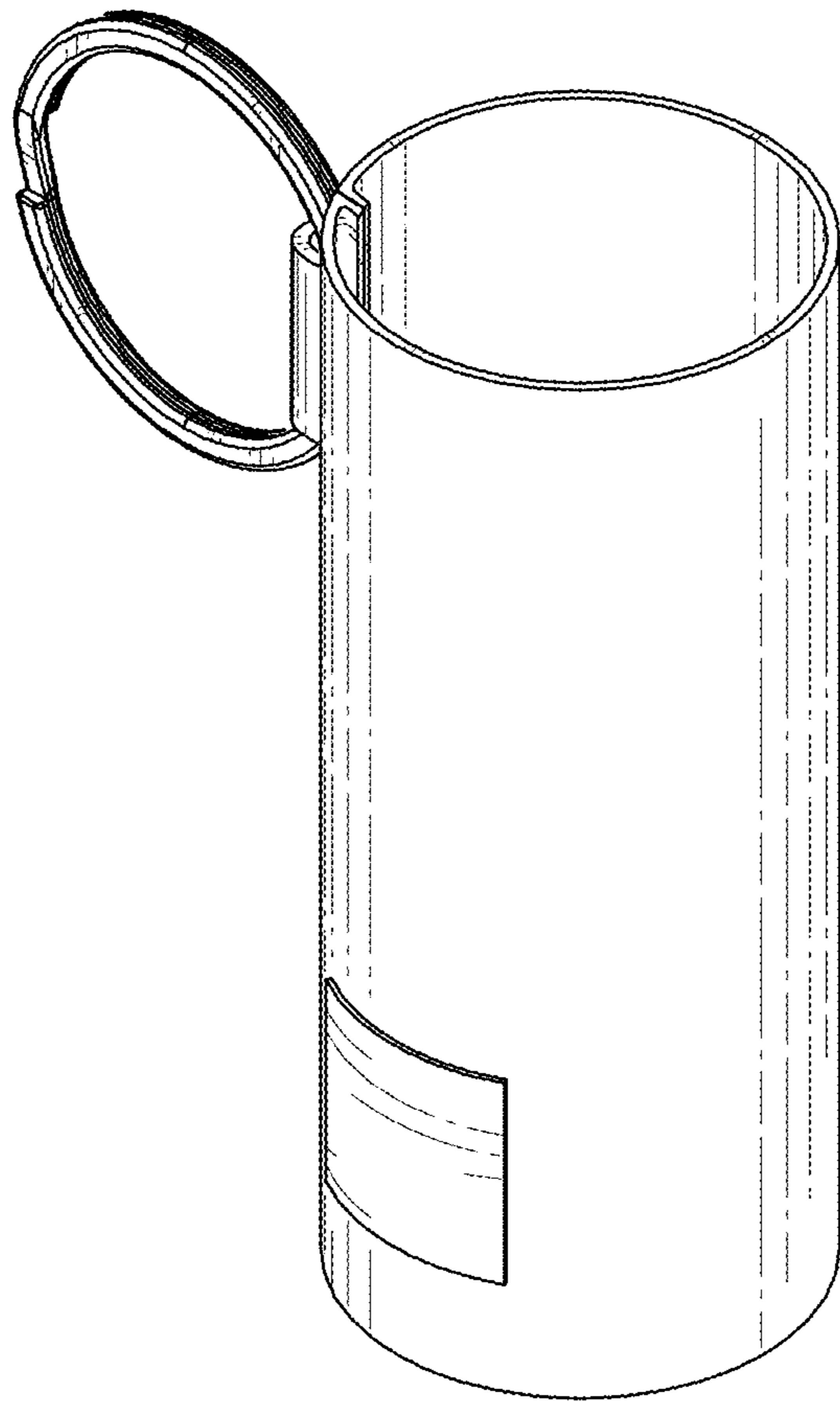


FIG. 2

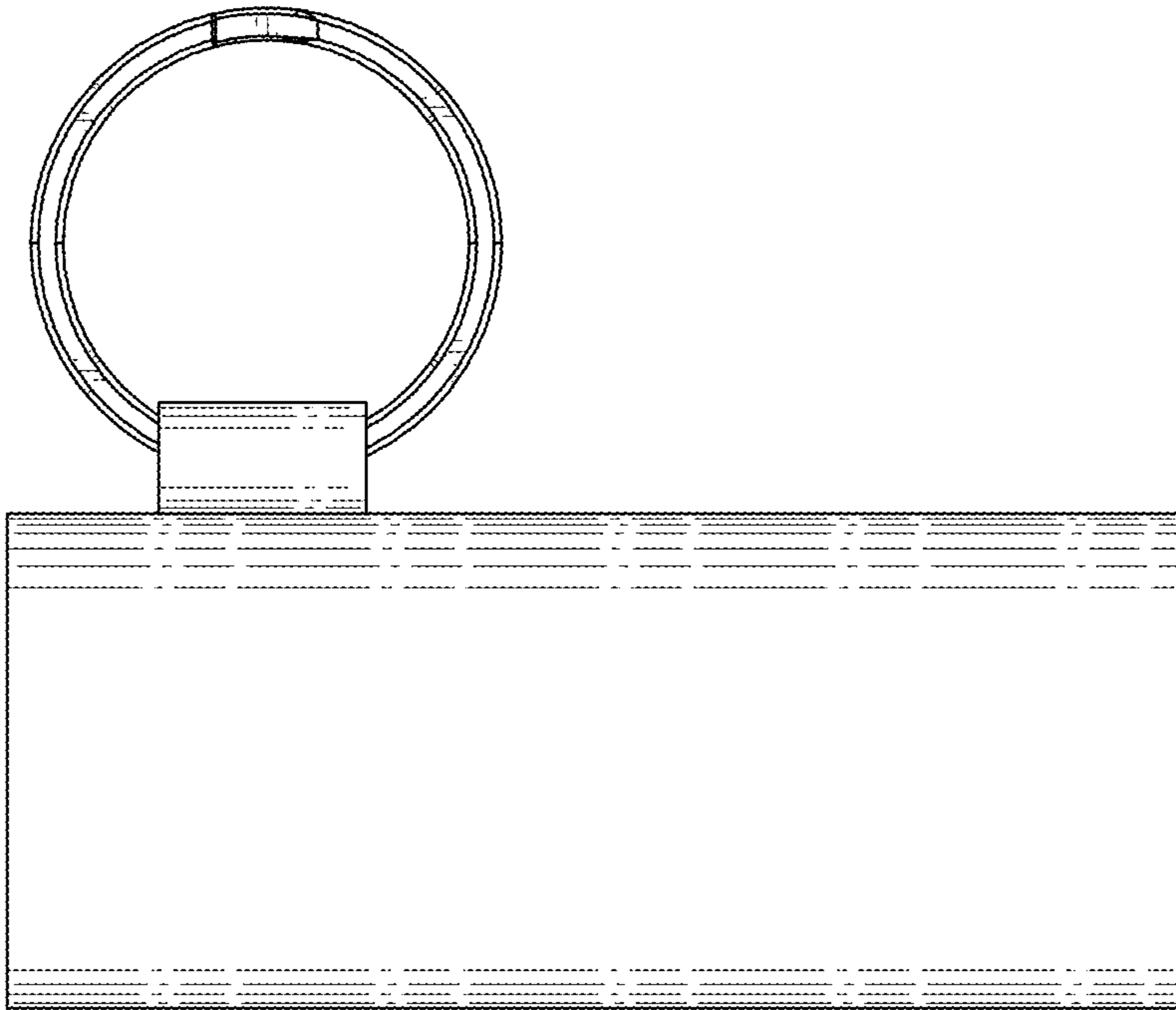


FIG. 4

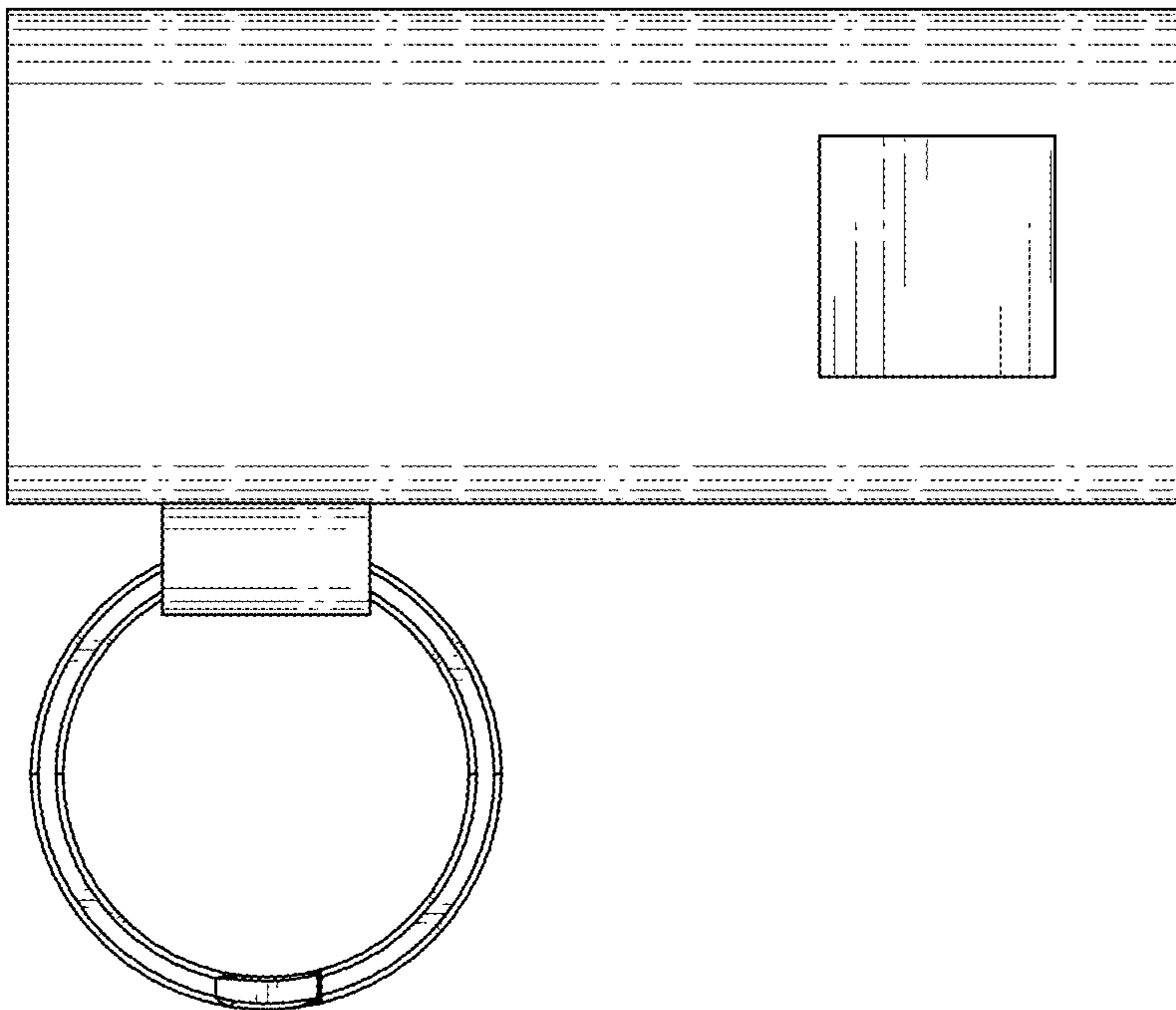


FIG. 3

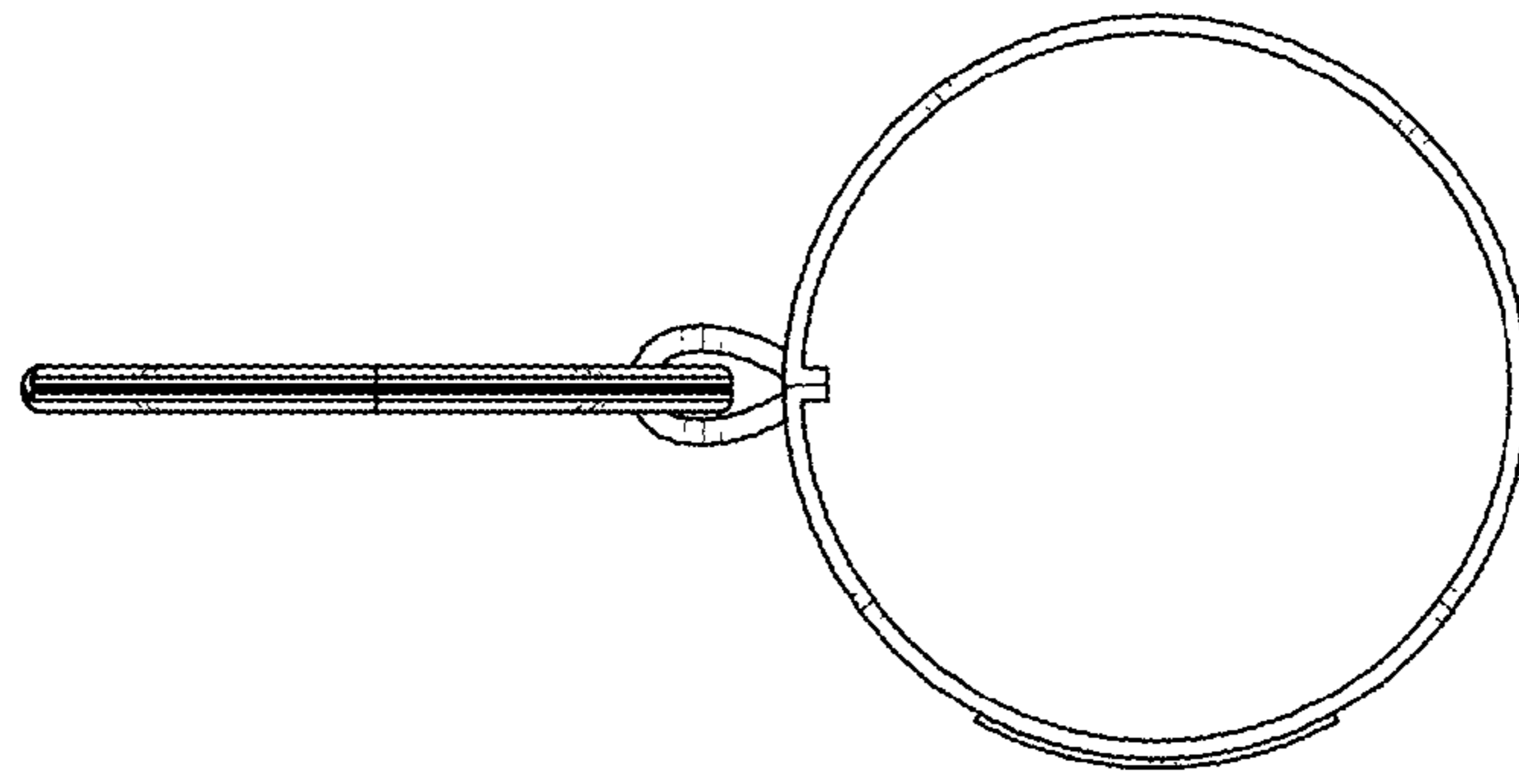


FIG. 5

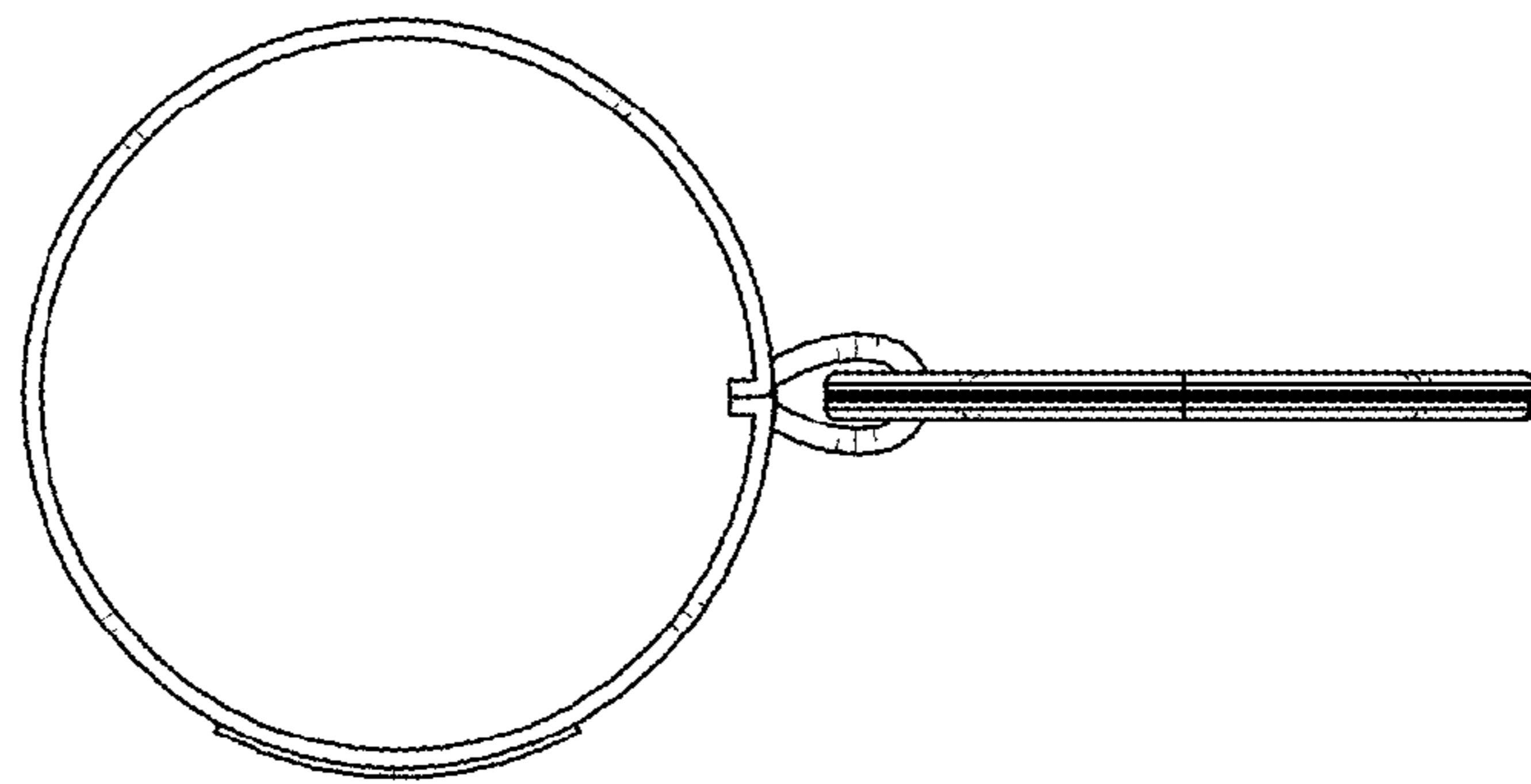


FIG. 6

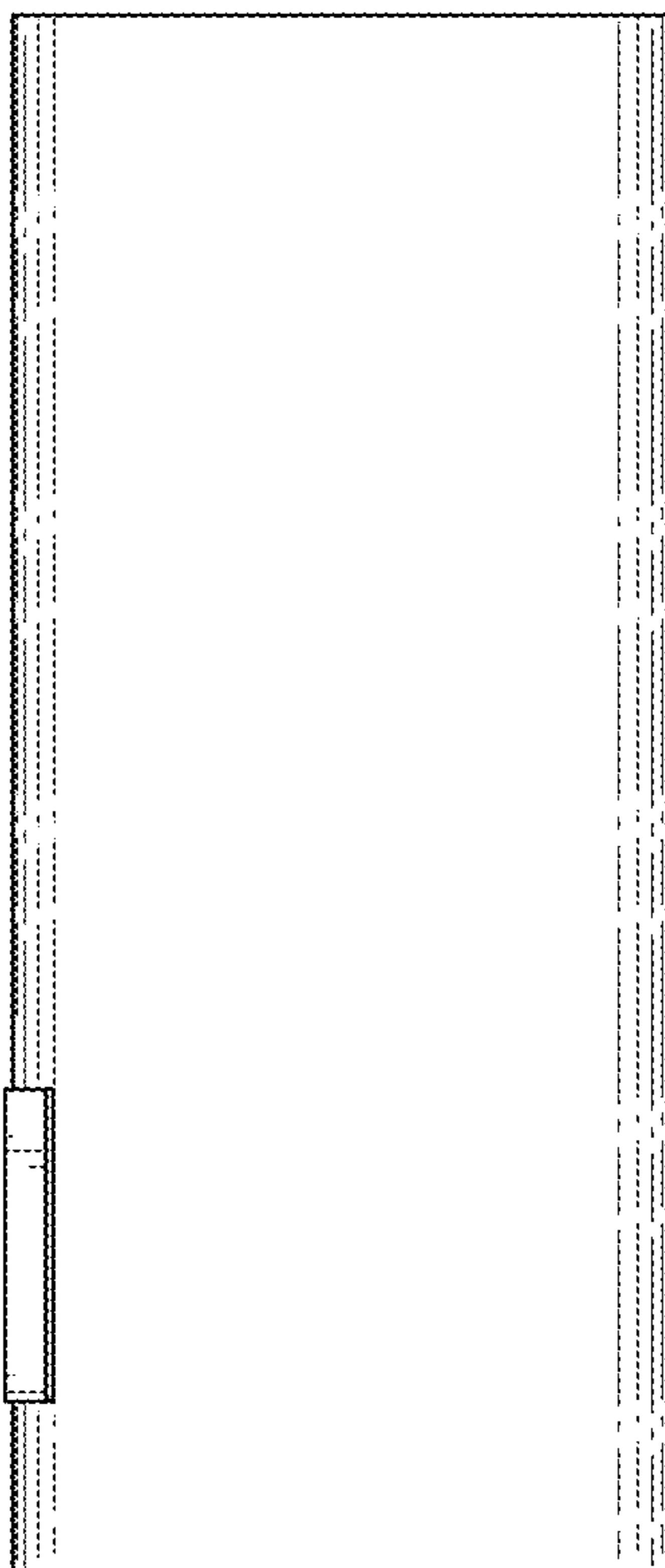


FIG. 7

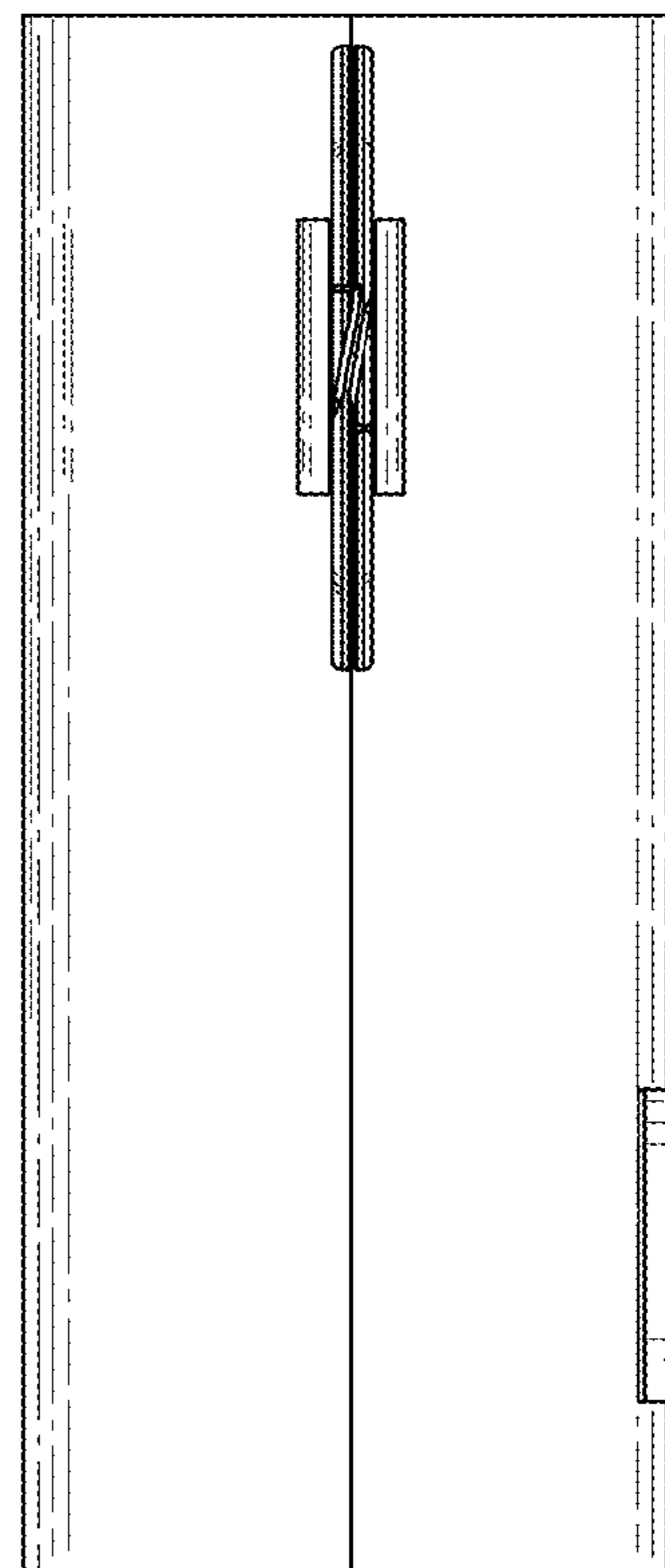


FIG. 8