



US00D982880S

(12) **United States Design Patent** (10) **Patent No.:** **US D982,880 S**
Cason (45) **Date of Patent:** **** Apr. 11, 2023**

(54) **SWEATER SUIT**

(71) Applicant: **Wesley Lydell Cason**, Perryville, MD (US)

(72) Inventor: **Wesley Lydell Cason**, Perryville, MD (US)

(**) Term: **15 Years**

(21) Appl. No.: **29/833,860**

(22) Filed: **Apr. 7, 2022**

D498,344 S * 11/2004 Mazzarolo D2/743
D511,237 S 11/2005 Johnson et al.
D545,028 S * 6/2007 Myrick D2/731
7,376,979 B2 5/2008 Nilsen
(Continued)

FOREIGN PATENT DOCUMENTS

CN 201504572 U 6/2010
CN 102031695 A 4/2011
(Continued)

OTHER PUBLICATIONS

Canto Men's 2 Piece Military Fashion Suit, posted NA [online], (retrieved Jun. 8, 2022). Retrieved from the internet, <https://www.clothingconnectiononline.com/canto-men-s-2-piece-military-fashion-suit-gold-military-accents> (Year: NA).*
(Continued)

Primary Examiner — Kevin K Rudzinski
Assistant Examiner — J. Thorn, Sr.
(74) *Attorney, Agent, or Firm* — Swift & Swift, Attorneys at Law, PLLC; Stephen Christopher Swift

Related U.S. Application Data

(62) Division of application No. 29/685,254, filed on Mar. 27, 2019.

(51) **LOC (14) Cl.** **02-02**

(52) **U.S. Cl.**
USPC **D2/743**

(58) **Field of Classification Search**
USPC D2/743, 718, 728, 779
CPC A41D 3/00; A41D 3/02; A41D 13/02
See application file for complete search history.

(57) **CLAIM**

The ornamental design for a sweater suit, as shown and described.

(56) **References Cited**

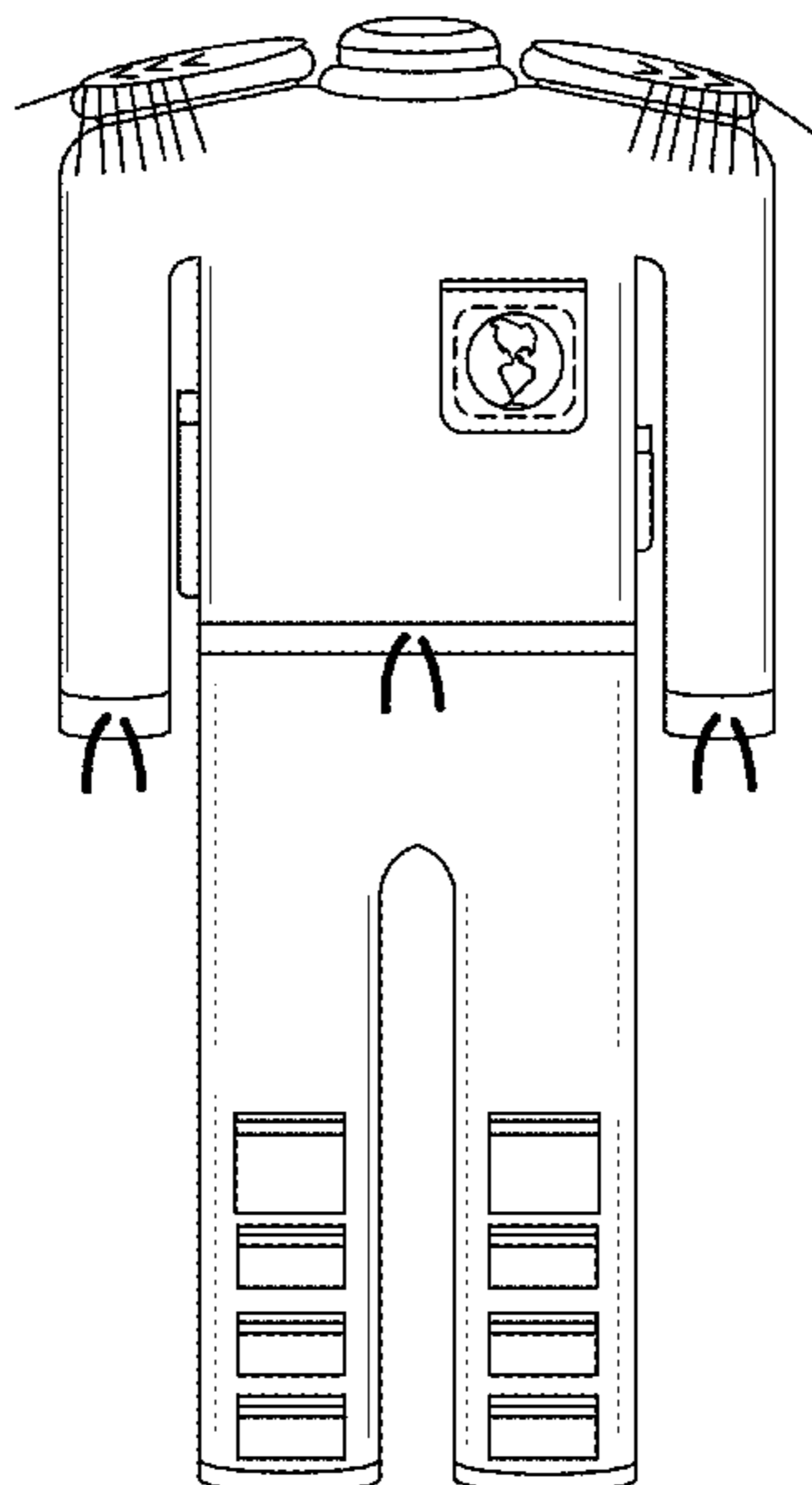
U.S. PATENT DOCUMENTS

D141,263 S * 5/1945 Beaver D2/839
3,213,456 A 10/1965 Korvin
3,296,626 A 1/1967 Ludwikowski
3,431,560 A 3/1969 Austin
4,475,252 A 10/1984 Peyser et al.
5,014,359 A 5/1991 Hanson
D353,254 S * 12/1994 Welch D2/831
D353,478 S 12/1994 Bowens et al.
D355,295 S * 2/1995 Berni D2/743
D363,811 S * 11/1995 Burrow D2/742
5,717,999 A 2/1998 Lurry
D438,692 S 3/2001 Digby
D456,590 S 5/2002 Gerson
D474,874 S * 5/2003 Taylor D2/743

DESCRIPTION

FIG. 1 is a perspective view of a sweater suit showing my new design;
FIG. 2 is a front elevation view thereof;
FIG. 3 is a rear elevation view thereof;
FIG. 4 is a top plan view thereof;
FIG. 5 is a left side elevation view thereof;
FIG. 6 is a right side elevation view thereof; and,
FIG. 7 is a bottom plan view thereof.
The broken lines in the drawings depict portions of the sweater suit that form no part of the claimed design.

1 Claim, 7 Drawing Sheets



(56)

References Cited

U.S. PATENT DOCUMENTS

D573,312	S	7/2008	Siepmann	
D581,134	S	11/2008	Williams	
D592,379	S	5/2009	Harrison	
D618,439	S *	6/2010	Hatton	D2/743
D696,839	S *	1/2014	Harris	D2/743
D707,422	S *	6/2014	Olivadoti	D2/743
D770,134	S	11/2016	Luevano, III	
D780,407	S *	3/2017	Majerfeld	D2/743
D855,288	S	8/2019	Goldfine	
D922,733	S *	6/2021	Gleave	D2/743
D941,556	S *	1/2022	Schneider	D2/743
2013/0219582	A1 *	8/2013	Harris, III	A41D 13/02 2/79
2020/0305517	A1 *	10/2020	Cason	A41D 13/0012
2021/0000192	A1 *	1/2021	Rutten	A62B 35/0025
2022/0061412	A1 *	3/2022	Culver, II	A41D 13/02

FOREIGN PATENT DOCUMENTS

CN	202999416	U	6/2013
CN	205902848	U	1/2017
KR	20140035863	A	3/2014

OTHER PUBLICATIONS

Fisher Striped Cotton Coveralls, reviewed 2015 [online], (retrieved Jun. 8, 2022). Retrieved from the internet, <https://www.dickies.com/coveralls-overalls/fisher-striped-cotton-coveralls/48977.html> (Year: 2015).*

Epaulette, Wikipedia, <https://en.wikipedia.org/wiki/Epaulette>, accessed on Feb. 18, 2019.

* cited by examiner

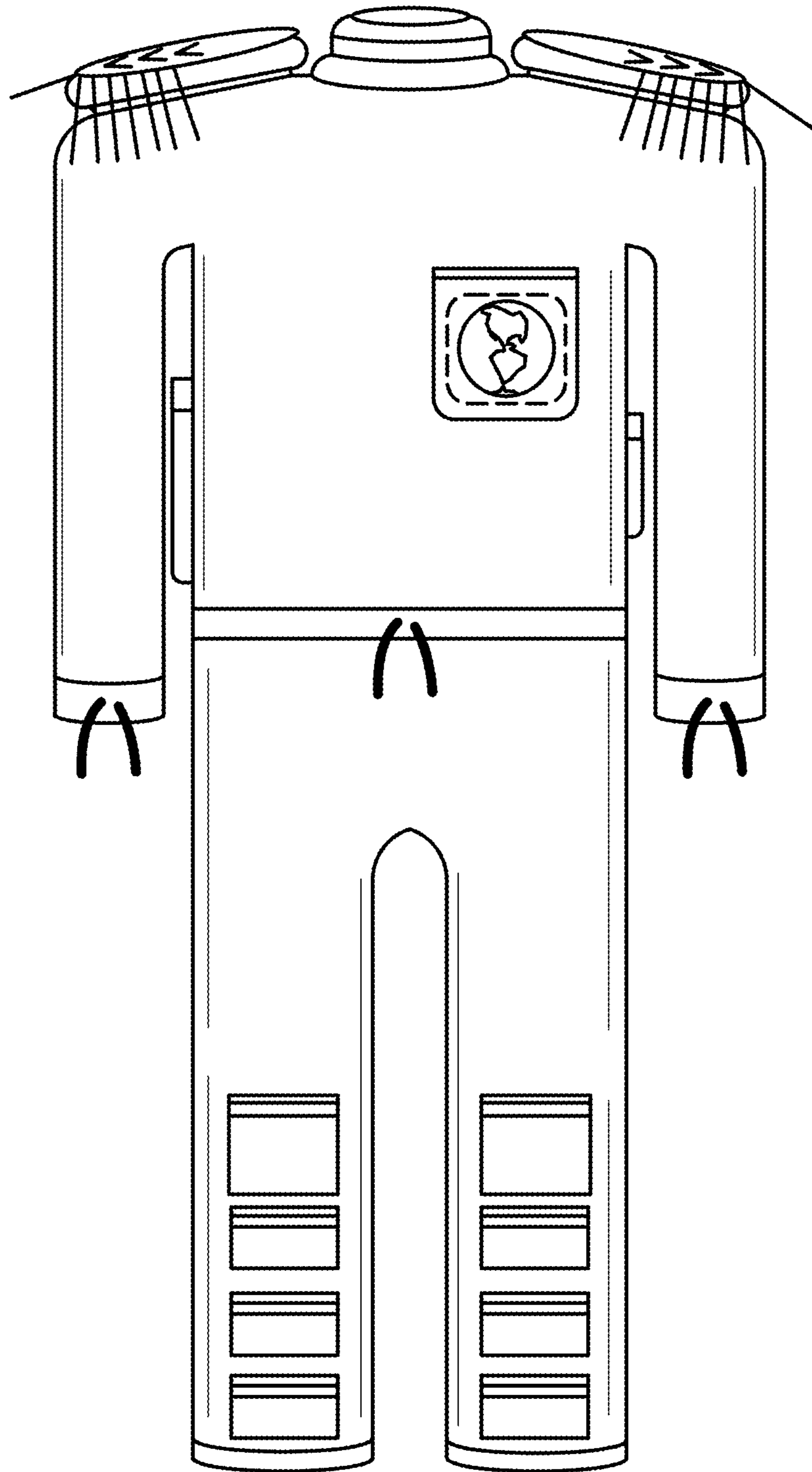


FIG. 1

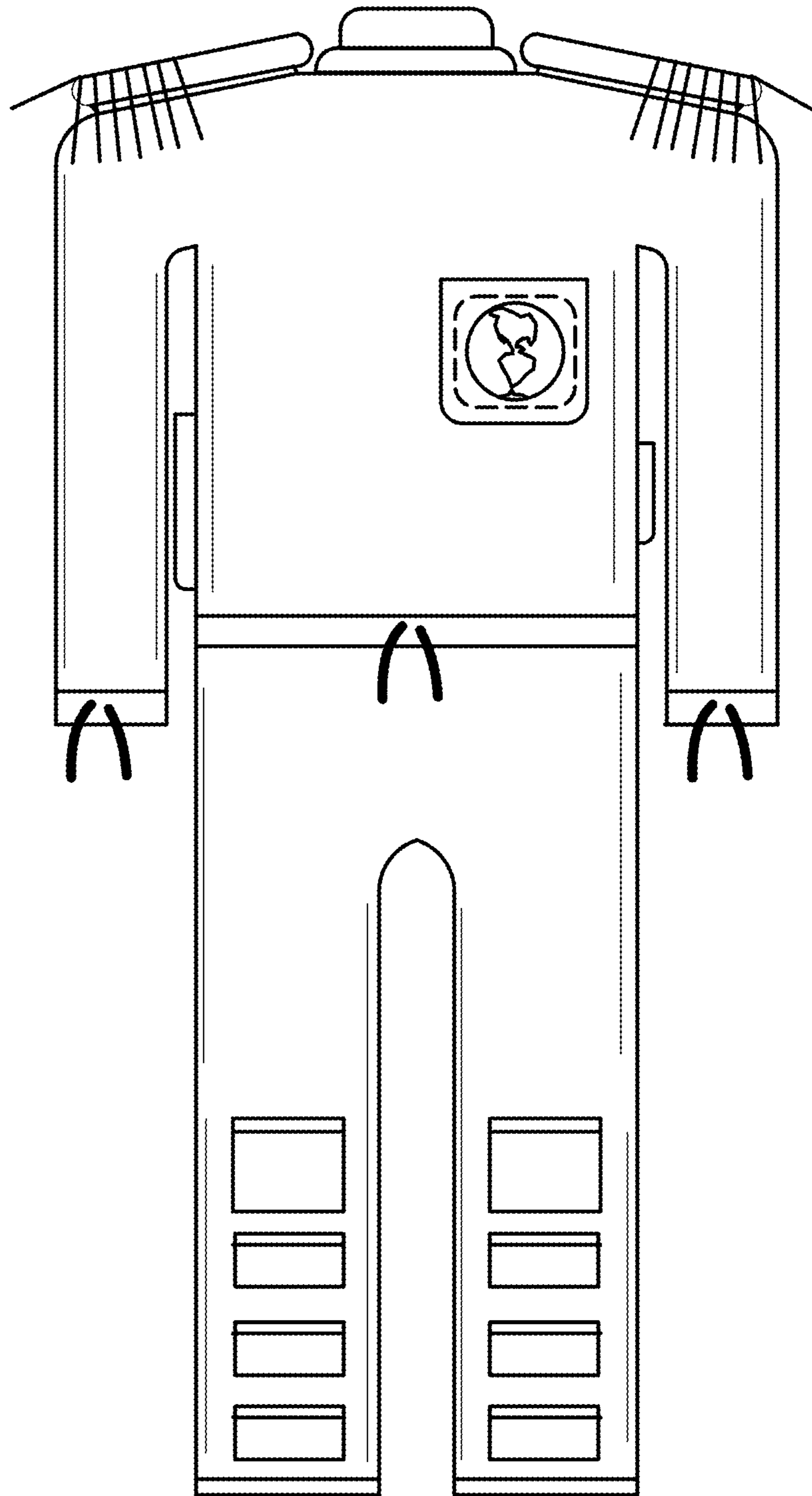


FIG. 2

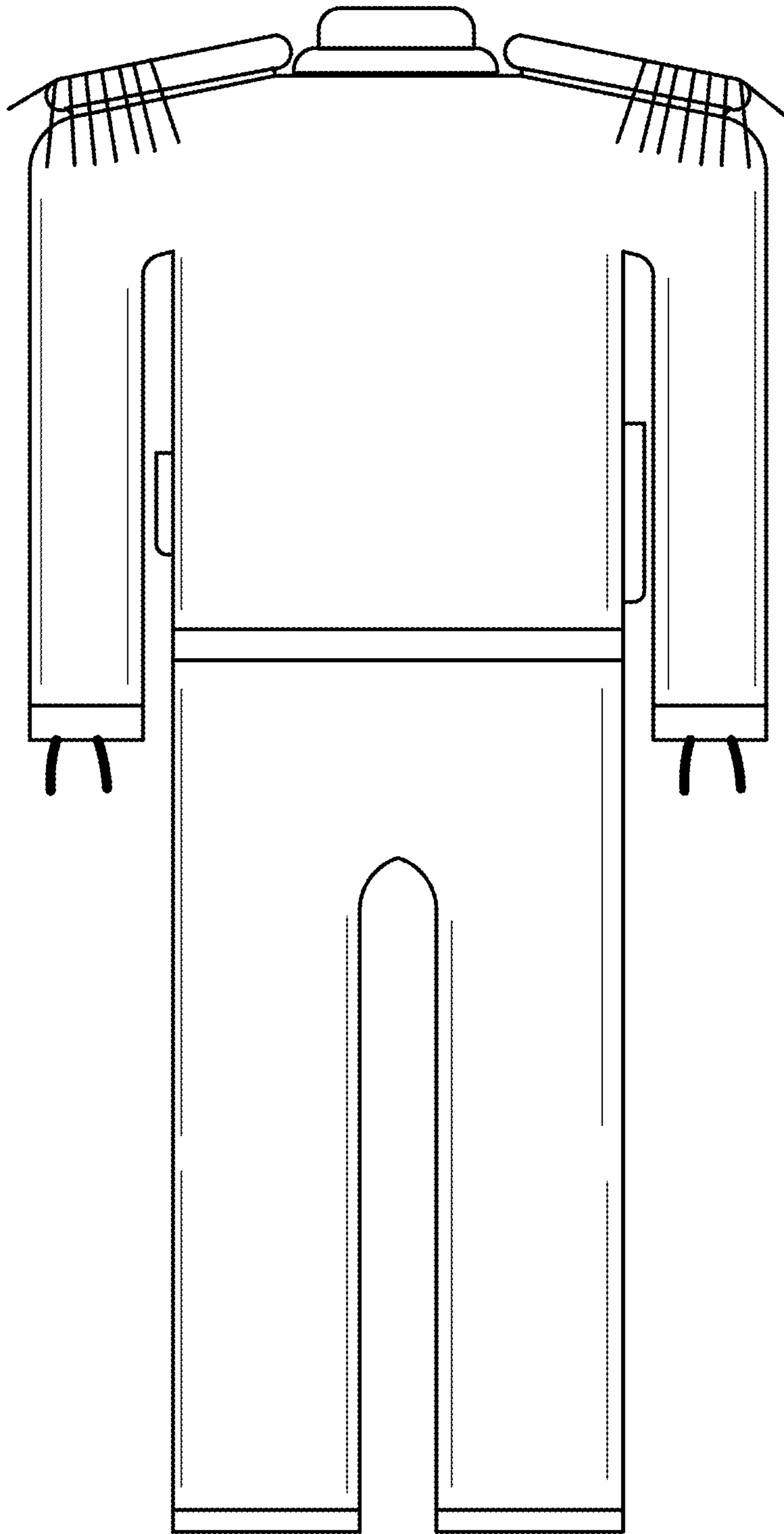


FIG. 3

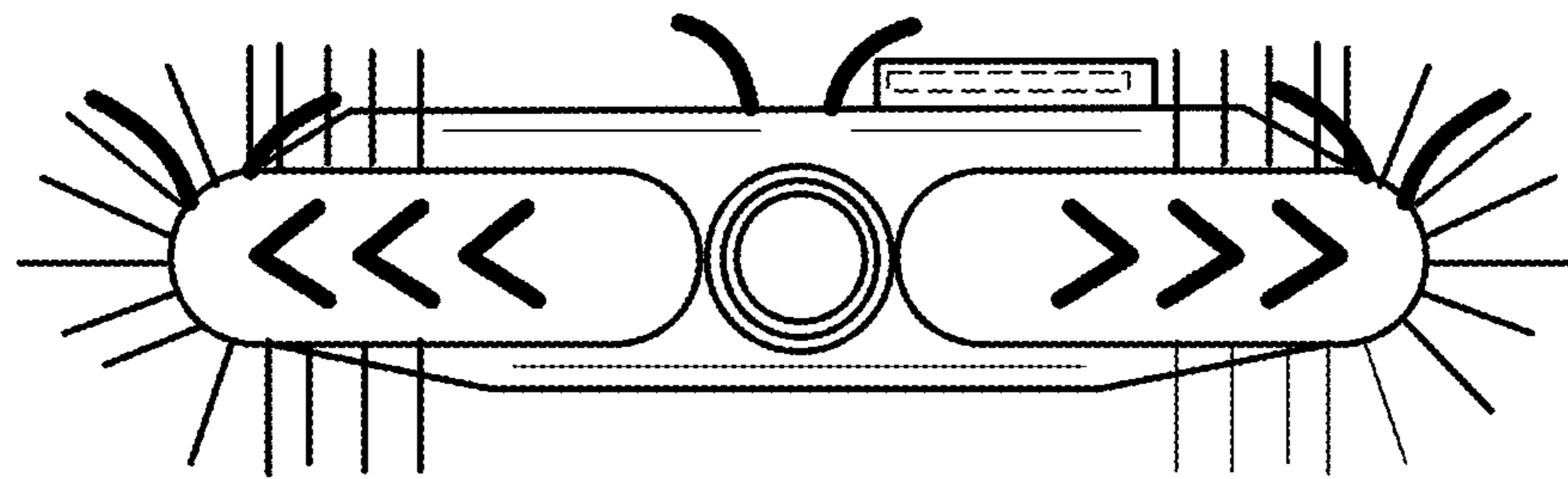


FIG. 4

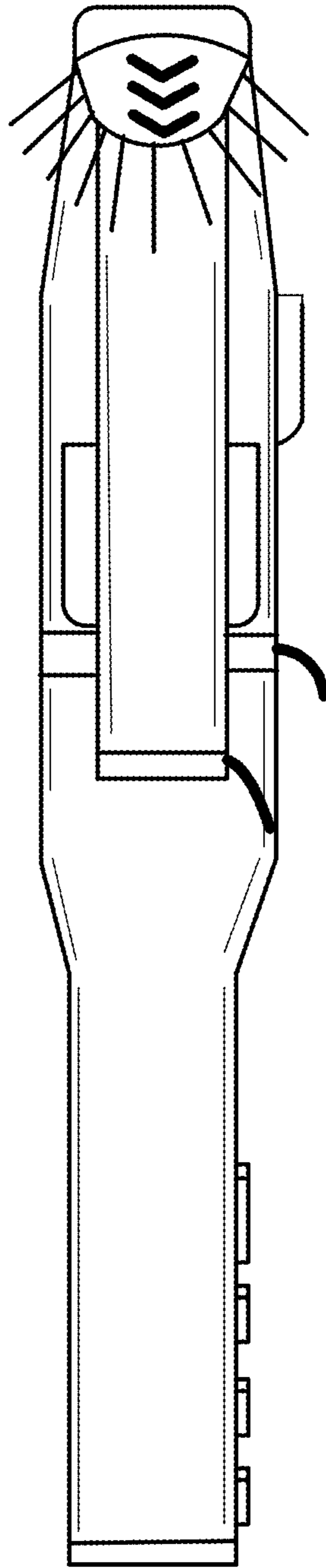


FIG. 5

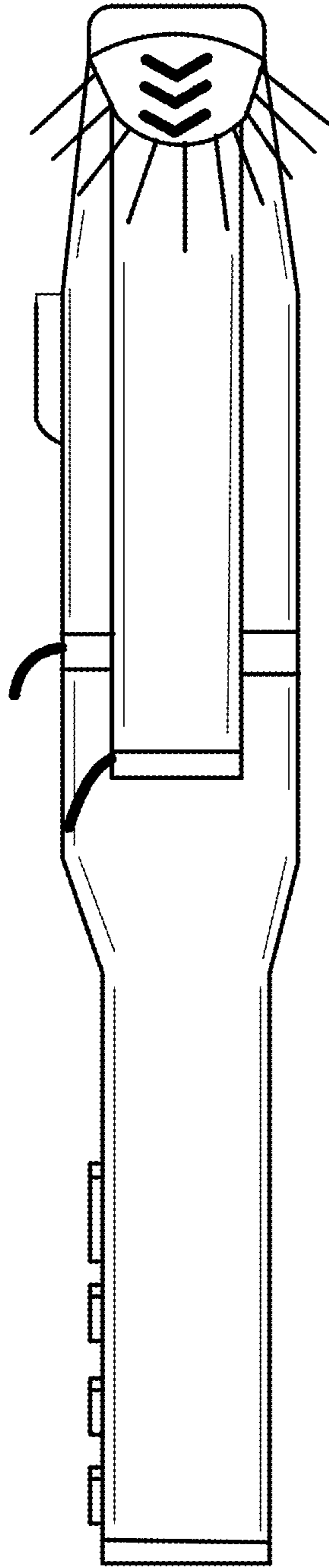


FIG. 6

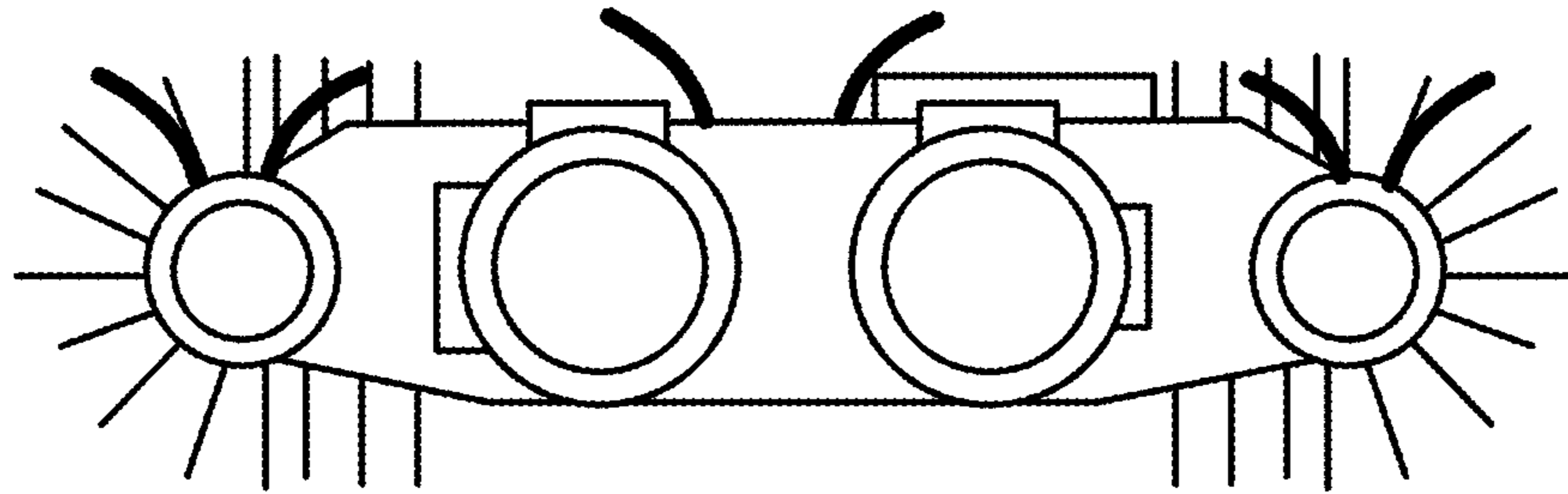


FIG. 7