



US00D982876S

(12) **United States Design Patent**  
**Deng**

(10) **Patent No.:** **US D982,876 S**

(45) **Date of Patent:** **\*\* Apr. 4, 2023**

(54) **WHEEL TROLLEY**

(71) Applicant: **Ting Deng**, Hunan (CN)

(72) Inventor: **Ting Deng**, Hunan (CN)

(\*\*) Term: **15 Years**

(21) Appl. No.: **29/849,535**

(22) Filed: **Aug. 11, 2022**

(51) **LOC (14) Cl.** ..... **12-05**

(52) **U.S. Cl.**  
USPC ..... **D34/35; D8/373**

(58) **Field of Classification Search**  
USPC ..... D8/373, 375; D6/574; D34/35; 16/98,  
16/102; 15/28; 198/682

CPC ..... B65G 9/002; B65G 17/20; Y10T 16/3813;  
Y10T 16/381; Y10T 16/35

See application file for complete search history.

(56) **References Cited**

**U.S. PATENT DOCUMENTS**

- 3,428 A \* 2/1844 Forsyth ..... E05D 15/063  
16/97
- 17,513 A \* 6/1857 Morse ..... E05D 15/063  
16/97
- 100,351 A \* 3/1870 Axe ..... E05D 15/063  
16/97
- 103,139 A \* 5/1870 Capron ..... E05D 15/0652  
16/102
- D5,197 S \* 8/1871 Child ..... D8/360
- 128,590 A \* 7/1872 Cauldwell ..... E05D 15/063  
16/97
- 246,642 A \* 9/1881 Selden ..... E05D 15/063  
16/97
- 454,304 A \* 6/1891 Terry ..... A22C 15/003  
16/102
- 484,436 A \* 10/1892 Kelliher ..... B65G 9/002  
104/111
- 581,710 A \* 5/1897 Gardner ..... E05D 15/063  
16/98

- 638,697 A \* 12/1899 Bolser ..... B60L 5/06  
16/97
- 647,893 A \* 4/1900 Wheeldon ..... F03G 1/00  
186/8
- 874,367 A \* 12/1907 Moore ..... B65G 9/002  
105/154
- 876,486 A \* 1/1908 Pfafenbach ..... B61B 12/122  
104/208
- 931,799 A \* 8/1909 Prouty ..... E05D 15/063  
16/98

(Continued)

**OTHER PUBLICATIONS**

RHKING Electric Hoist Installation Roller Trolley 4 Wheel Trolley Assembly 2PCS Silent for use with 1<sup>5</sup>/<sub>8</sub>" Wide and All 1<sup>5</sup>/<sub>8</sub>" or Taller Strut Channel; RHKING; Oct. 14, 2021; accessed Dec. 14, 2022; URL:< <https://www.amazon.com/RHKING-Electric-Installation-Trolley-Assembly/dp/B09JFDH39G> > (Year: 2021).\*

(Continued)

*Primary Examiner* — Rachel A. Voorhies  
*Assistant Examiner* — Benjamin D. Wannemacher  
(74) *Attorney, Agent, or Firm* — ScienBiziP, P.C.

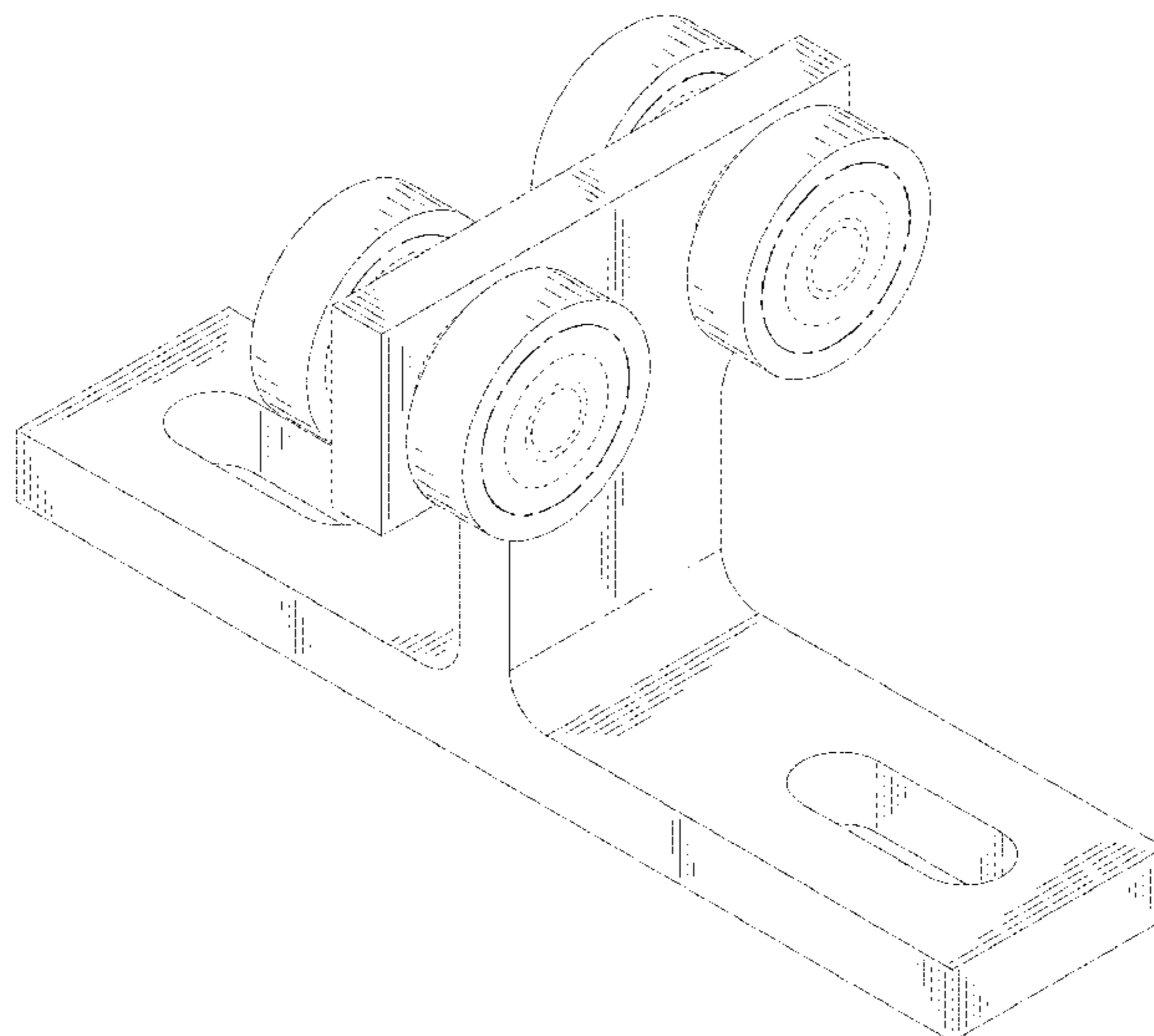
(57) **CLAIM**

The ornamental design for a wheel trolley, as shown and described.

**DESCRIPTION**

FIG. 1 is a front, right and top perspective view of a wheel trolley, showing my design.  
FIG. 2 is a rear, left and bottom perspective view thereof.  
FIG. 3 is a front elevation view thereof.  
FIG. 4 is a rear elevation view thereof.  
FIG. 5 is a left side elevation view thereof.  
FIG. 6 is a right side elevation view thereof.  
FIG. 7 is a top plan view thereof; and,  
FIG. 8 is a bottom plan view thereof.  
The evenly-dashed broken lines depict portions of the wheel trolley that form no part of the claimed design.  
The dot-dash broken line defines the bounds of the claimed design and forms no part thereof.

**1 Claim, 8 Drawing Sheets**



(56)

References Cited

U.S. PATENT DOCUMENTS

1,169,568 A \* 1/1916 Richards ..... E05D 15/063  
16/105  
1,178,065 A \* 4/1916 Ferris ..... E05D 15/0634  
16/105  
1,191,334 A \* 7/1916 Myers ..... E05D 15/0639  
16/105  
1,787,468 A \* 1/1931 Bittorf ..... E05D 15/063  
16/105  
1,828,603 A \* 10/1931 Holley ..... B65G 9/002  
16/98  
1,920,774 A \* 8/1933 Webb ..... B65G 17/20  
105/155  
2,283,359 A \* 5/1942 Gaboury ..... B65G 17/20  
105/154  
2,470,060 A \* 5/1949 Webb ..... B60L 3/00  
105/154  
2,517,652 A \* 8/1950 Gaboury ..... B65G 17/20  
105/154  
2,556,487 A \* 6/1951 Vogt ..... B65G 17/20  
198/686  
D164,047 S \* 7/1951 Mazzola ..... D34/35  
2,566,962 A \* 9/1951 Ramsey ..... B65G 9/006  
248/215  
2,581,948 A \* 1/1952 Flounders ..... B65G 9/006  
105/150  
2,611,326 A \* 9/1952 Smallpiece ..... B65G 17/20  
105/154  
2,633,226 A \* 3/1953 Vogt ..... B65G 17/20  
198/686  
RE23,658 E \* 5/1953 Gaboury ..... B65G 17/20  
198/682  
2,639,535 A \* 5/1953 Greske ..... A01K 91/06  
43/27.2  
2,718,852 A \* 9/1955 Cacciatore ..... A22C 15/003  
104/93  
3,231,067 A \* 1/1966 Gaboury ..... B65G 17/20  
16/97  
3,252,427 A \* 5/1966 Bailey ..... A22B 7/004  
104/89  
3,268,062 A \* 8/1966 Gladstone ..... B61B 13/04  
104/95  
3,418,948 A \* 12/1968 Fromme ..... B61B 10/025  
104/178  
3,429,278 A \* 2/1969 Gonzales ..... B65G 9/004  
104/93  
3,439,628 A \* 4/1969 Mendelson ..... B66C 21/00  
105/51  
3,469,892 A \* 9/1969 Hall ..... F16C 13/006  
16/98  
3,724,387 A \* 4/1973 Civitarese ..... B65G 9/002  
16/98  
3,738,477 A \* 6/1973 Gename ..... B65G 9/002  
452/187  
3,739,424 A \* 6/1973 Gonsalves ..... B65G 9/002  
16/98  
3,759,190 A \* 9/1973 Harvey ..... B61B 13/04  
105/152  
3,793,673 A \* 2/1974 Lawrence, Jr. .... E05D 15/063  
16/98  
3,827,367 A \* 8/1974 Paglia ..... B65G 9/002  
104/93  
3,869,989 A \* 3/1975 Pickstone ..... E01B 25/24  
104/106  
3,880,087 A \* 4/1975 Pamer ..... F16F 13/08  
267/153  
3,926,303 A \* 12/1975 McCall ..... B65G 17/20  
105/154  
3,971,601 A \* 7/1976 Sytsma ..... B65G 17/20  
16/98  
D242,015 S \* 10/1976 Busche et al. .... B65G 17/20  
D8/373

D242,016 S \* 10/1976 Busche et al. .... B65G 17/20  
D8/373  
D261,750 S \* 11/1981 Miller ..... B60L 3/00  
D34/35  
D262,100 S \* 12/1981 Miller ..... B65G 17/20  
D34/35  
D262,919 S \* 2/1982 Miller ..... B65G 17/20  
D34/35  
D263,574 S \* 3/1982 Miller ..... E05D 15/063  
D34/35  
D263,575 S \* 3/1982 Miller ..... E05D 15/0608  
D34/35  
4,464,997 A \* 8/1984 Dehne ..... B61B 10/025  
105/155  
D310,894 S \* 9/1990 Smith ..... E05D 15/063  
D34/24  
5,016,318 A \* 5/1991 Harris ..... E05D 15/0608  
160/206  
D319,131 S \* 8/1991 Smeitink ..... D34/12  
5,085,150 A \* 2/1992 Moore ..... B60B 33/0015  
295/36.1  
D408,111 S \* 4/1999 Cook ..... E05D 15/063  
D34/12  
5,901,651 A \* 5/1999 Boyd ..... H02G 1/04  
104/112  
5,983,803 A \* 11/1999 Eberle ..... B65G 9/002  
105/154  
6,058,849 A \* 5/2000 Ostholt ..... B66C 11/06  
105/154  
6,199,829 B1 \* 3/2001 Brown ..... B65H 51/14  
254/134.3 R  
6,244,425 B1 \* 6/2001 Volker ..... B65G 17/20  
452/187  
6,494,141 B2 \* 12/2002 Montambault ..... H02G 1/02  
104/112  
6,494,305 B1 \* 12/2002 Black ..... A22B 5/0064  
198/349  
7,133,742 B2 \* 11/2006 Cruysen ..... A22C 21/0053  
198/349.5  
7,159,772 B2 \* 1/2007 Vande Berg ..... F16C 41/008  
235/385  
D550,921 S \* 9/2007 McMorris ..... B61C 13/04  
D34/28  
D644,669 S \* 9/2011 Escobar ..... E05D 15/063  
D15/28  
D657,395 S \* 4/2012 Bauer ..... E05D 15/0634  
D15/11  
D694,780 S \* 12/2013 Raftery ..... E05D 15/0639  
D15/28  
8,702,178 B2 \* 4/2014 Breyer ..... B65G 45/00  
384/42  
9,943,184 B1 \* 4/2018 Kao ..... A47H 5/032  
11,565,886 B2 \* 1/2023 Liu ..... B65G 17/20  
2004/0016080 A1 \* 1/2004 De Oliveira ..... E05D 15/063  
16/97  
2004/0173117 A1 \* 9/2004 Galpin ..... B61C 13/04  
105/148  
2018/0037413 A1 \* 2/2018 Stauber ..... B65G 17/38  
2018/0215547 A1 \* 8/2018 Fenile ..... B65G 17/20

OTHER PUBLICATIONS

4 Wheel Trolley Assembly for Electric Hoist Installation Roller with 1 5/8" Wide and All 1 5/8" or Taller Strut Channel Quiet and Stable Design (4); SD Factory; Mar. 16, 2022 ; accessed Dec. 14, 2022; URL:< <https://www.amazon.com/dp/B09VQ5QJJB/> > (Year: 2022).\* Inventor's, Ting Deng, publication on Amazon dated Oct. 14, 2021. Please refer to <https://www.amazon.com/dp/B09JFLNQL4>, the Declaration, the Sales Authorization Certificate, the Business License and its translation in English, and the Proof of Identity of Legal Representative.

\* cited by examiner

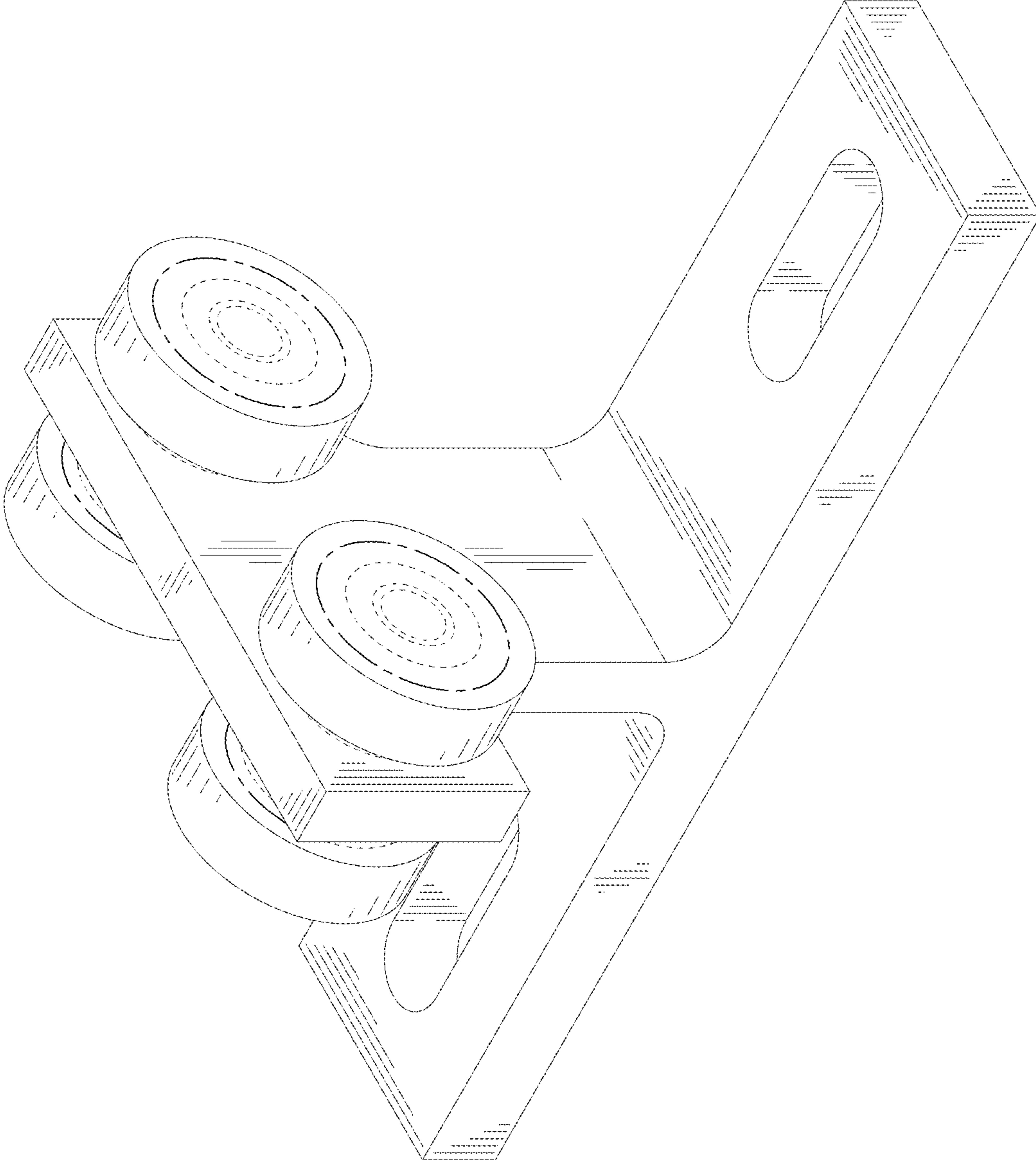


FIG. 1

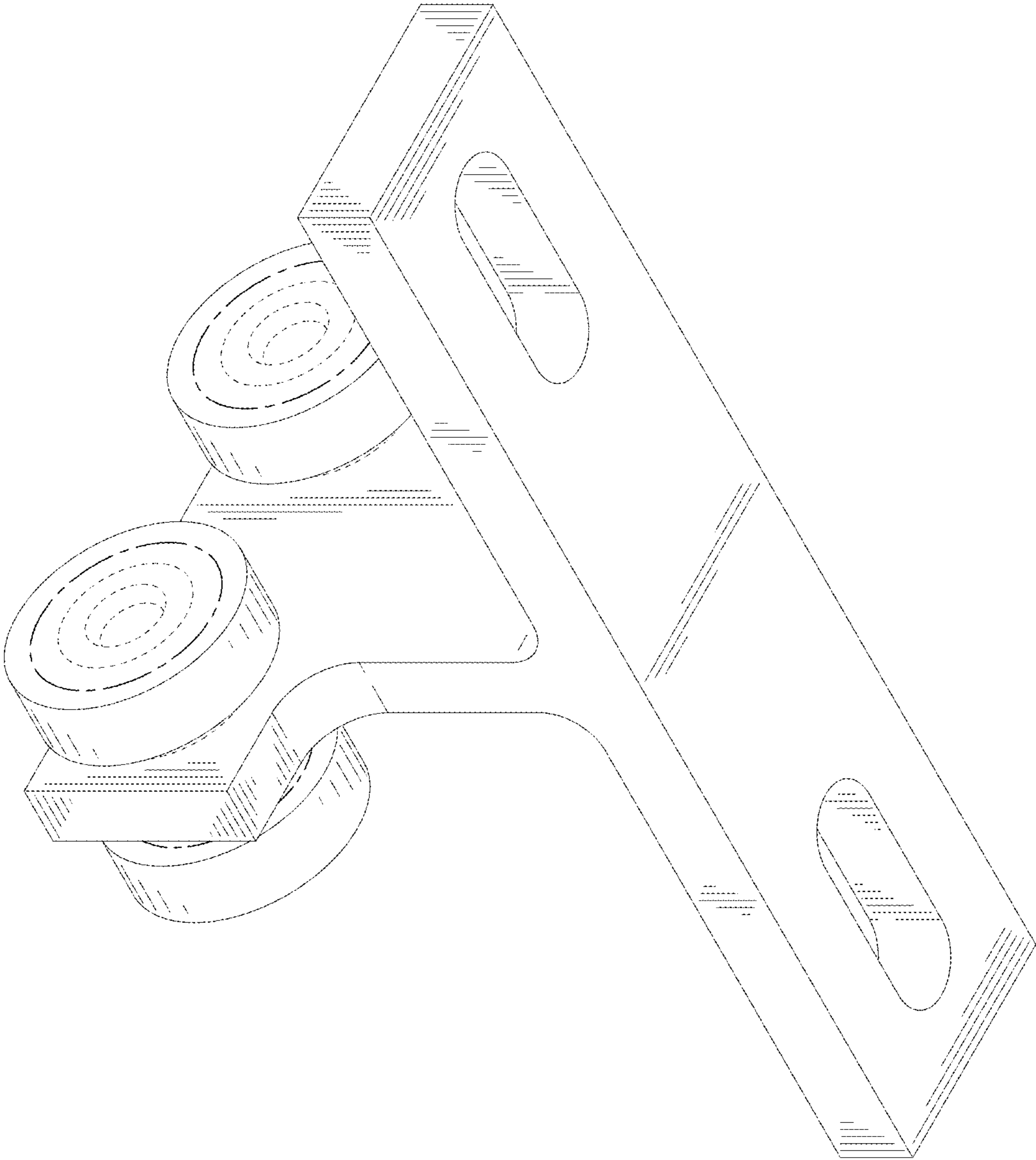


FIG. 2

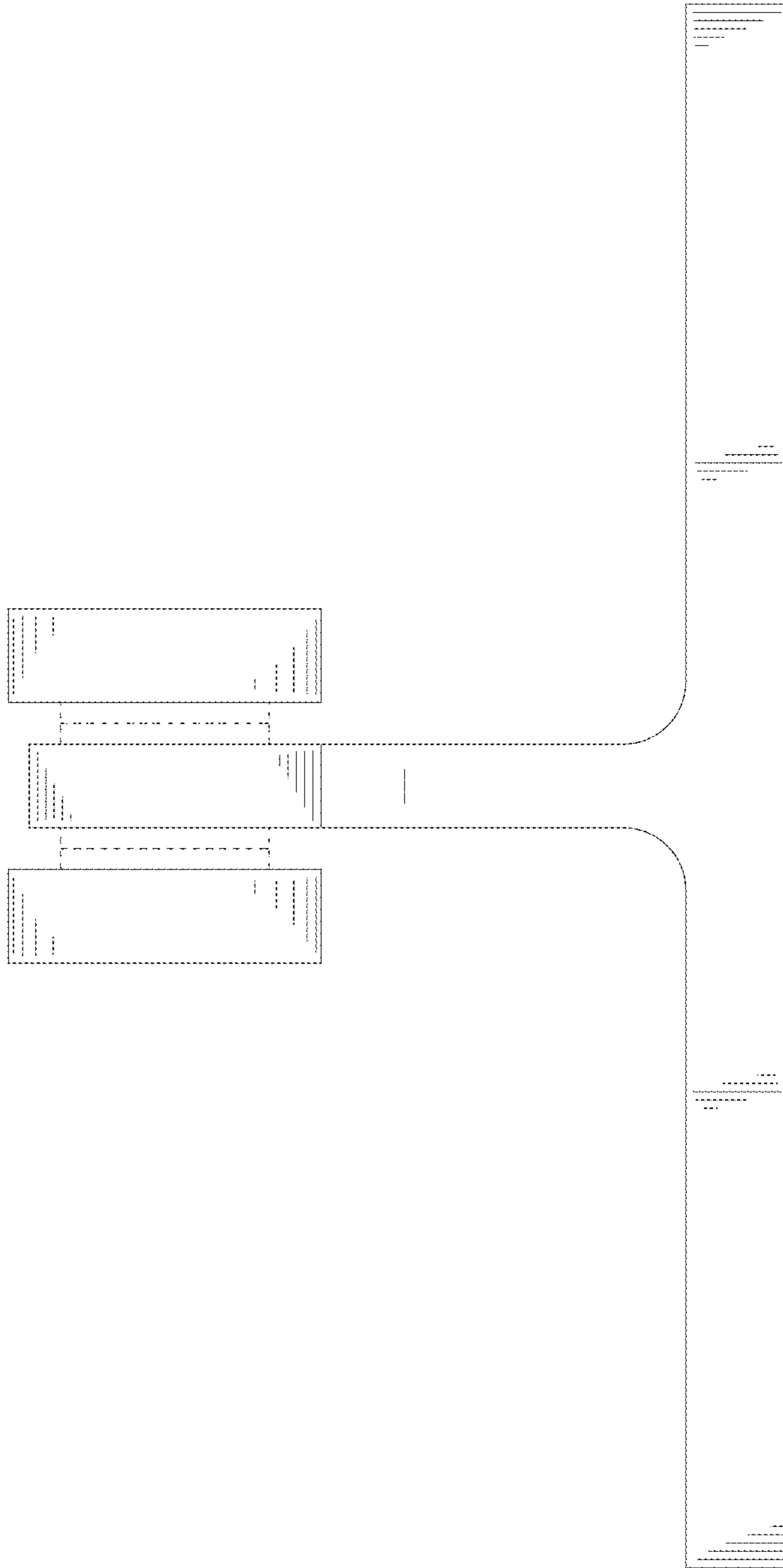


FIG. 3

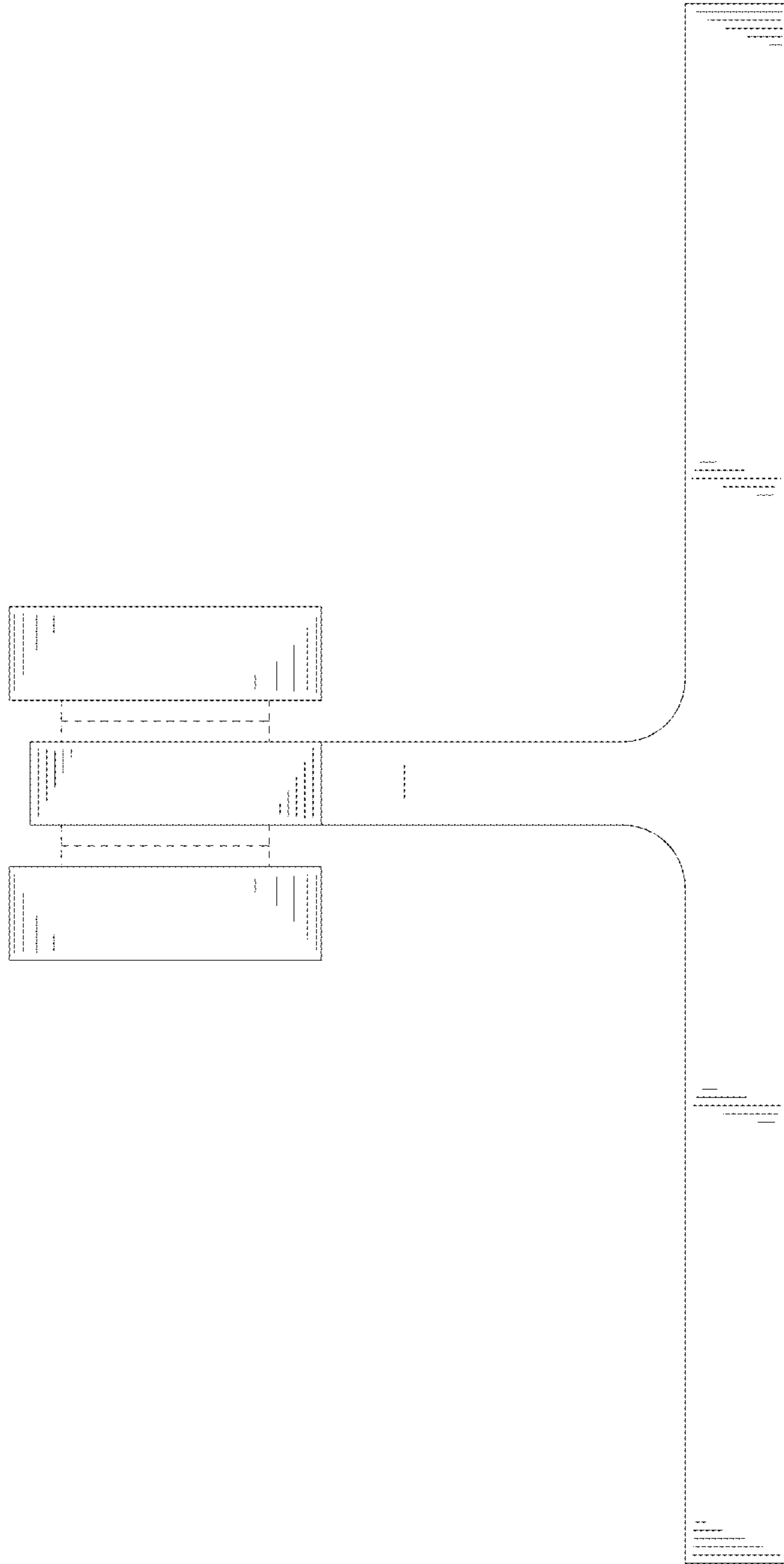


FIG. 4

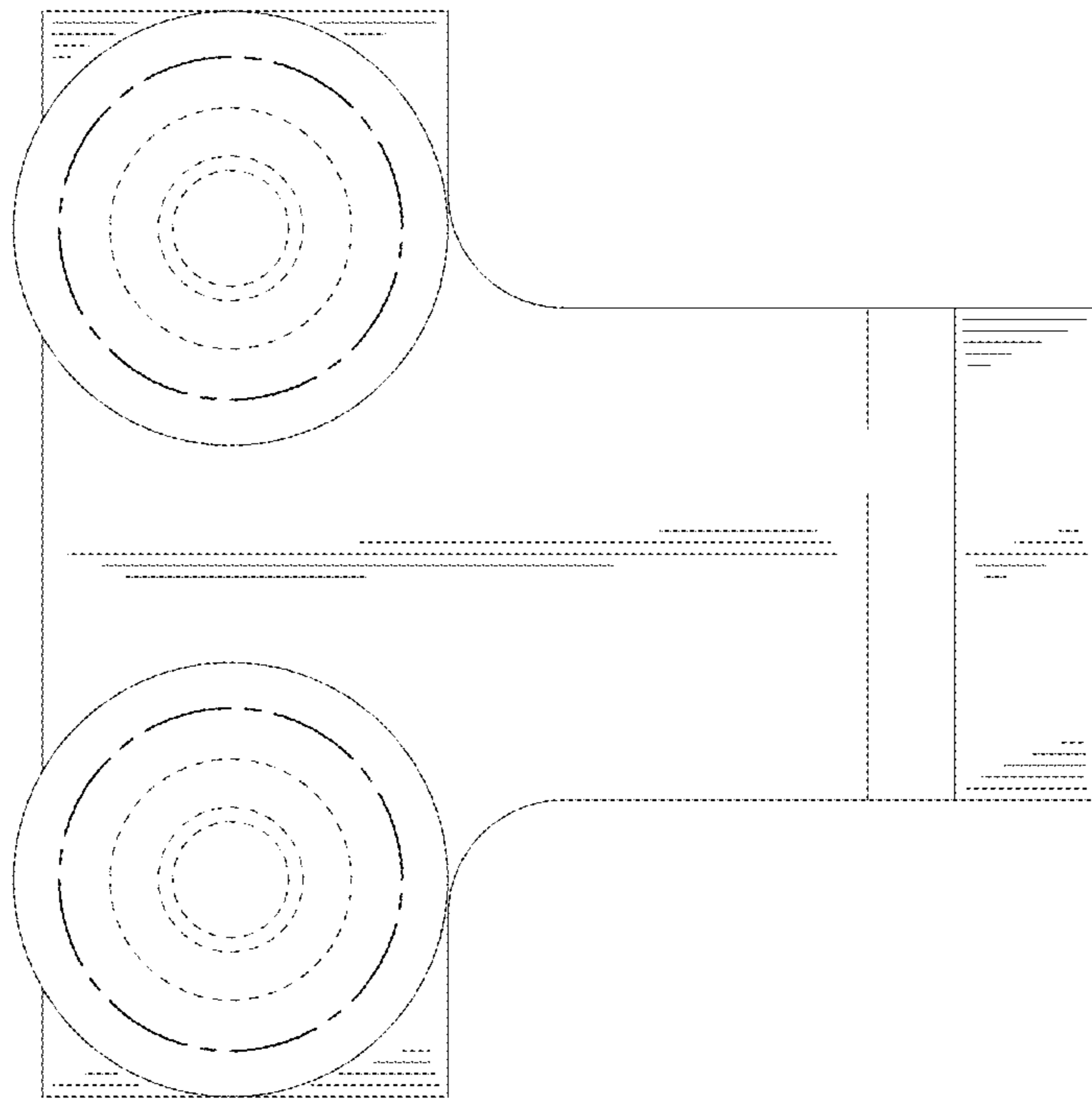


FIG. 5

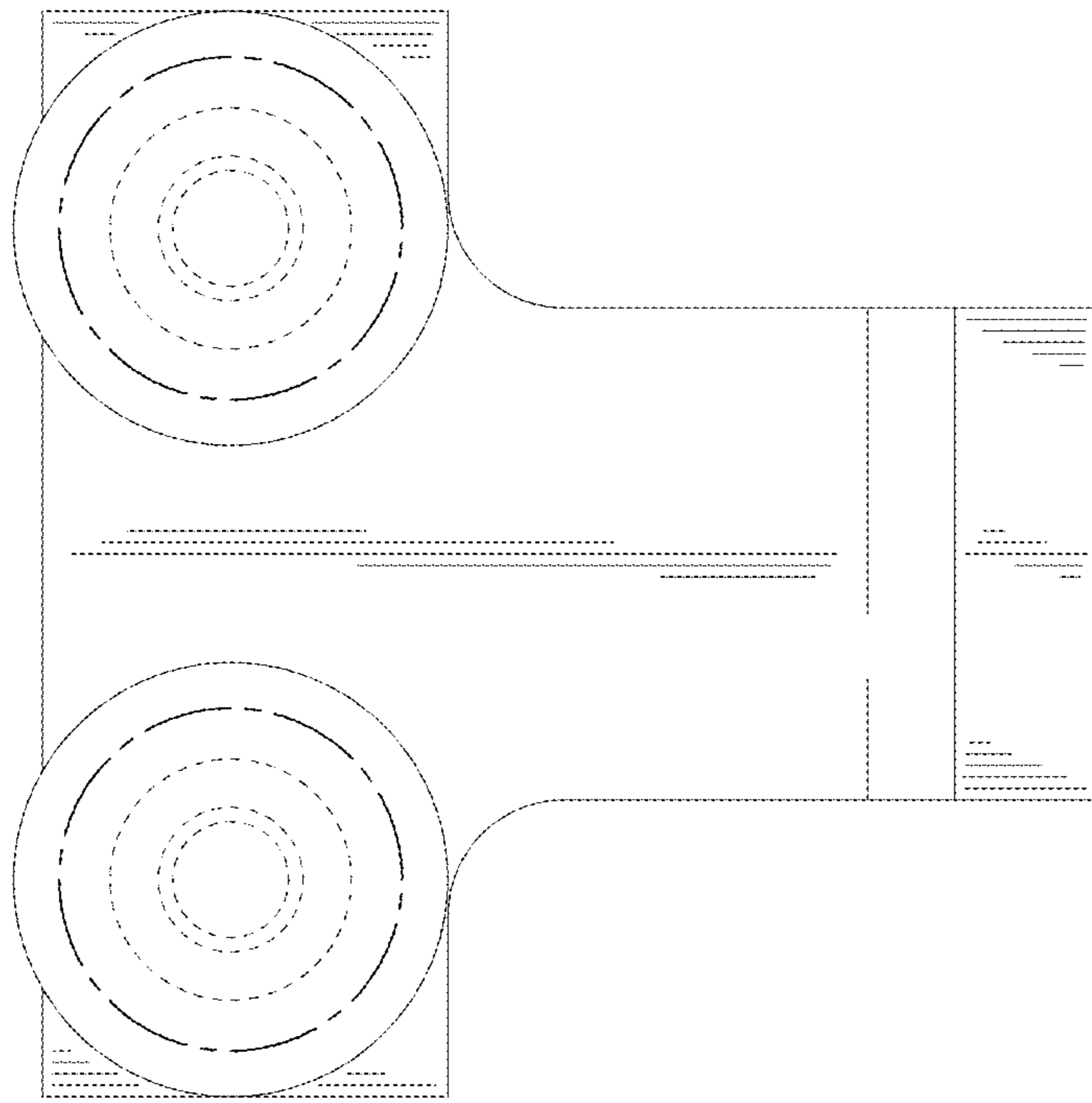


FIG. 6



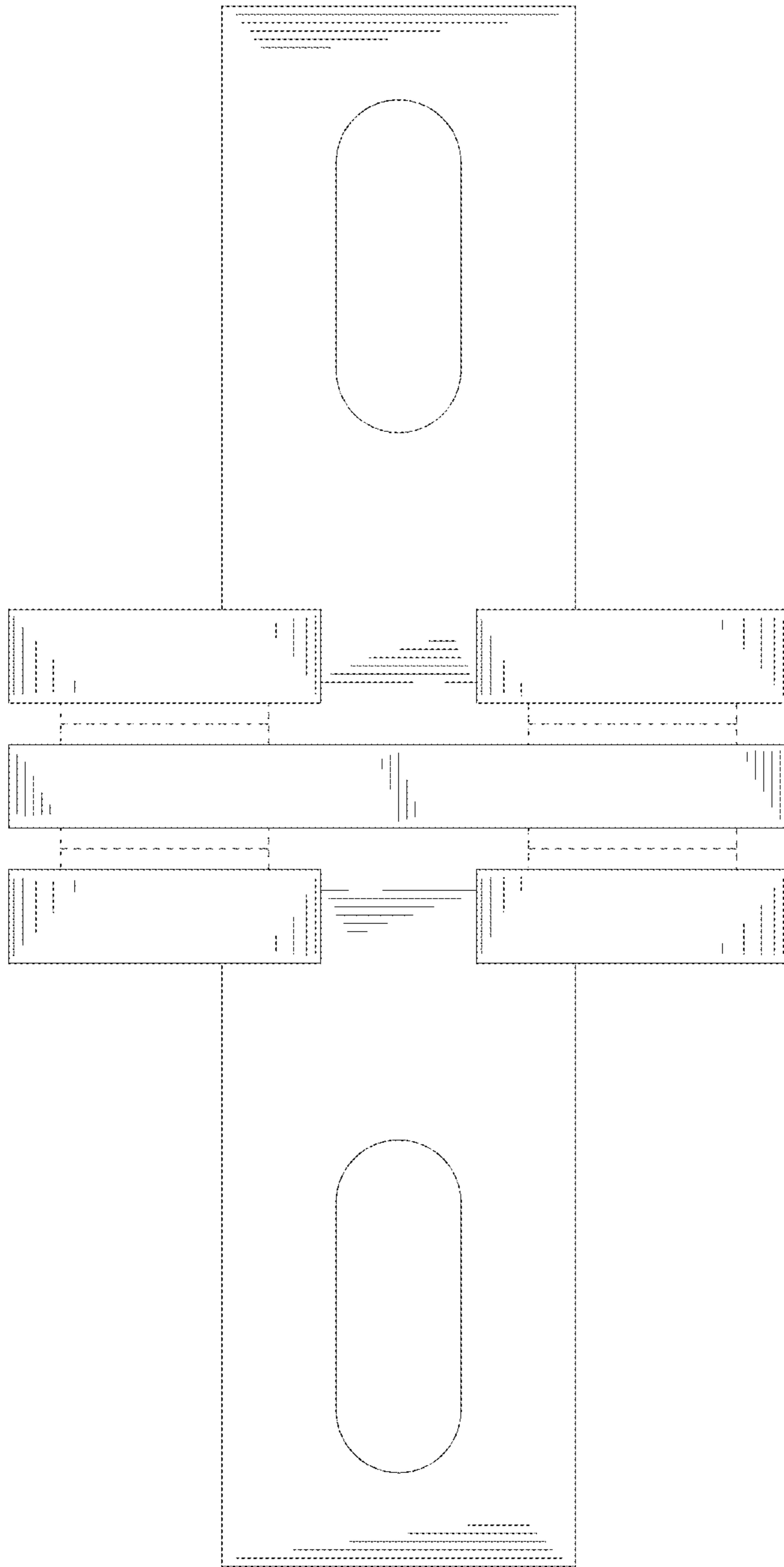


FIG. 7

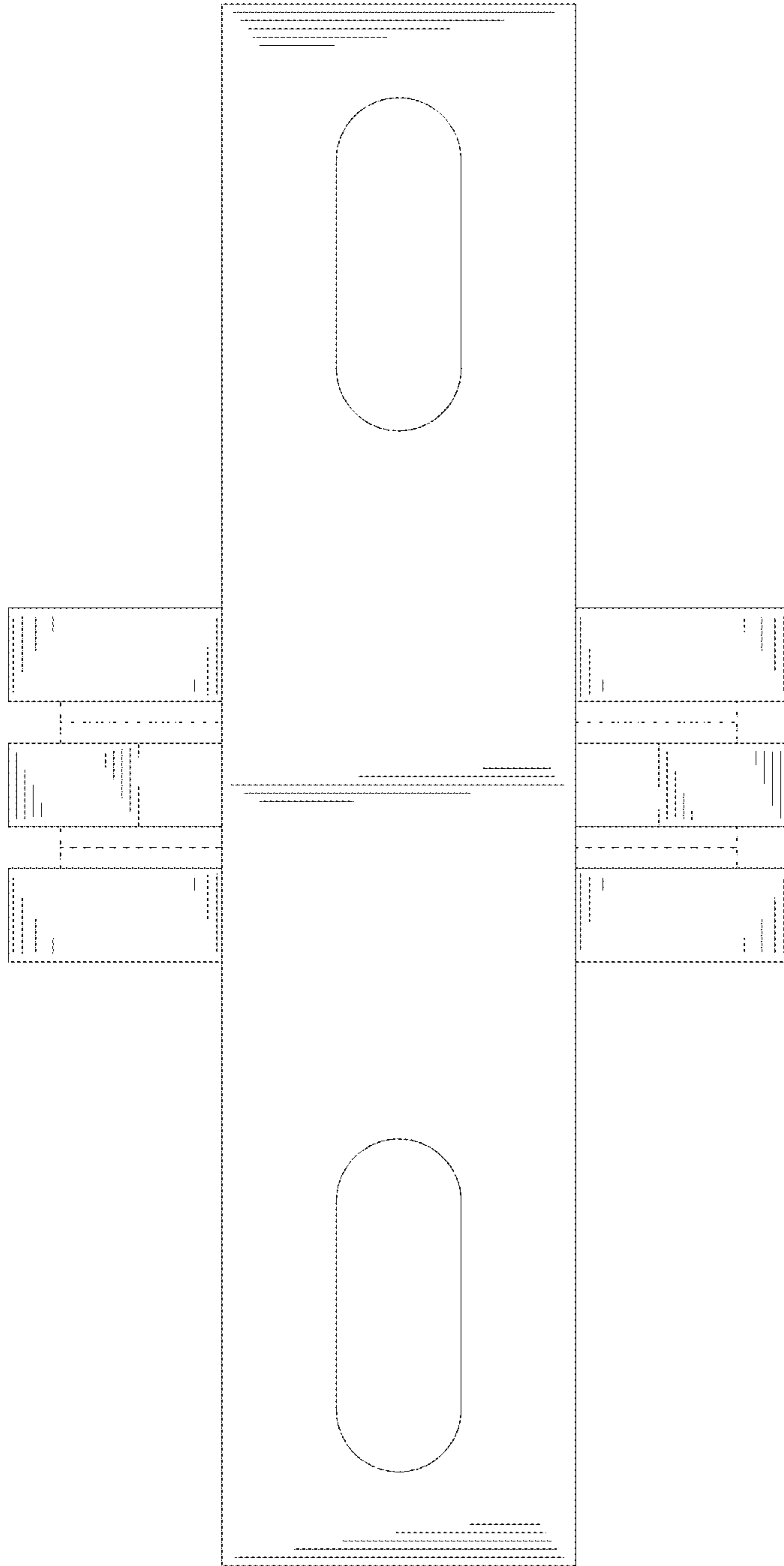


FIG. 8