



US00D982875S

(12) **United States Design Patent** (10) **Patent No.:** **US D982,875 S**
Deng (45) **Date of Patent:** **** Apr. 4, 2023**

- (54) **T-SHAPED SHELF**
- (71) Applicant: **Ting Deng**, Hunan (CN)
- (72) Inventor: **Ting Deng**, Hunan (CN)
- (**) Term: **15 Years**
- (21) Appl. No.: **29/849,531**
- (22) Filed: **Aug. 11, 2022**
- (51) **LOC (14) Cl.** **12-05**
- (52) **U.S. Cl.**
USPC **D34/35; D8/373**
- (58) **Field of Classification Search**
USPC D8/373, 375; D6/574; D34/35; 16/98,
16/102; 15/28; 198/682
CPC B65G 9/002; B65G 17/20; Y10T 16/3813;
Y10T 16/381; Y10T 16/35
See application file for complete search history.

- 638,697 A * 12/1899 Bolser B60L 5/06
16/97
- 647,893 A * 4/1900 Wheeldon F03G 1/00
186/8
- 874,367 A * 12/1907 Moore B65G 9/002
105/154

(Continued)

OTHER PUBLICATIONS

RHKING Electric Hoist Installation Roller Trolley 4 Wheel Trolley Assembly 2PCS Silent for use with 1-5/8" Wide and All 1-5/8" or Taller Strut Channel; RHKING; Oct. 14, 2021; accessed Dec. 14, 2022; URL:< <https://www.amazon.com/RHKING-Electric-Installation-Trolley-Assembly/dp/B09JFDH39G> > (Year: 2021).*

(Continued)

Primary Examiner — Rachel A. Voorhies
Assistant Examiner — Benjamin D. Wannemacher
(74) *Attorney, Agent, or Firm* — ScienBiziP, P.C.

(56) **References Cited**

U.S. PATENT DOCUMENTS

- 3,428 A * 2/1844 Forsyth E05D 15/063
16/97
- 17,513 A * 6/1857 Morse E05D 15/063
16/97
- 100,351 A * 3/1870 Axe E05D 15/063
16/97
- 103,139 A * 5/1870 Capron E05D 15/0652
16/102
- D5,197 S * 8/1871 Child D8/360
- 128,590 A * 7/1872 Cauldwell E05D 15/063
16/97
- 246,642 A * 9/1881 Selden E05D 15/063
16/97
- 454,304 A * 6/1891 Terry A22C 15/003
16/102
- 484,436 A * 10/1892 Kelliher B65G 9/002
104/111
- 581,710 A * 5/1897 Gardner E05D 15/063
16/98

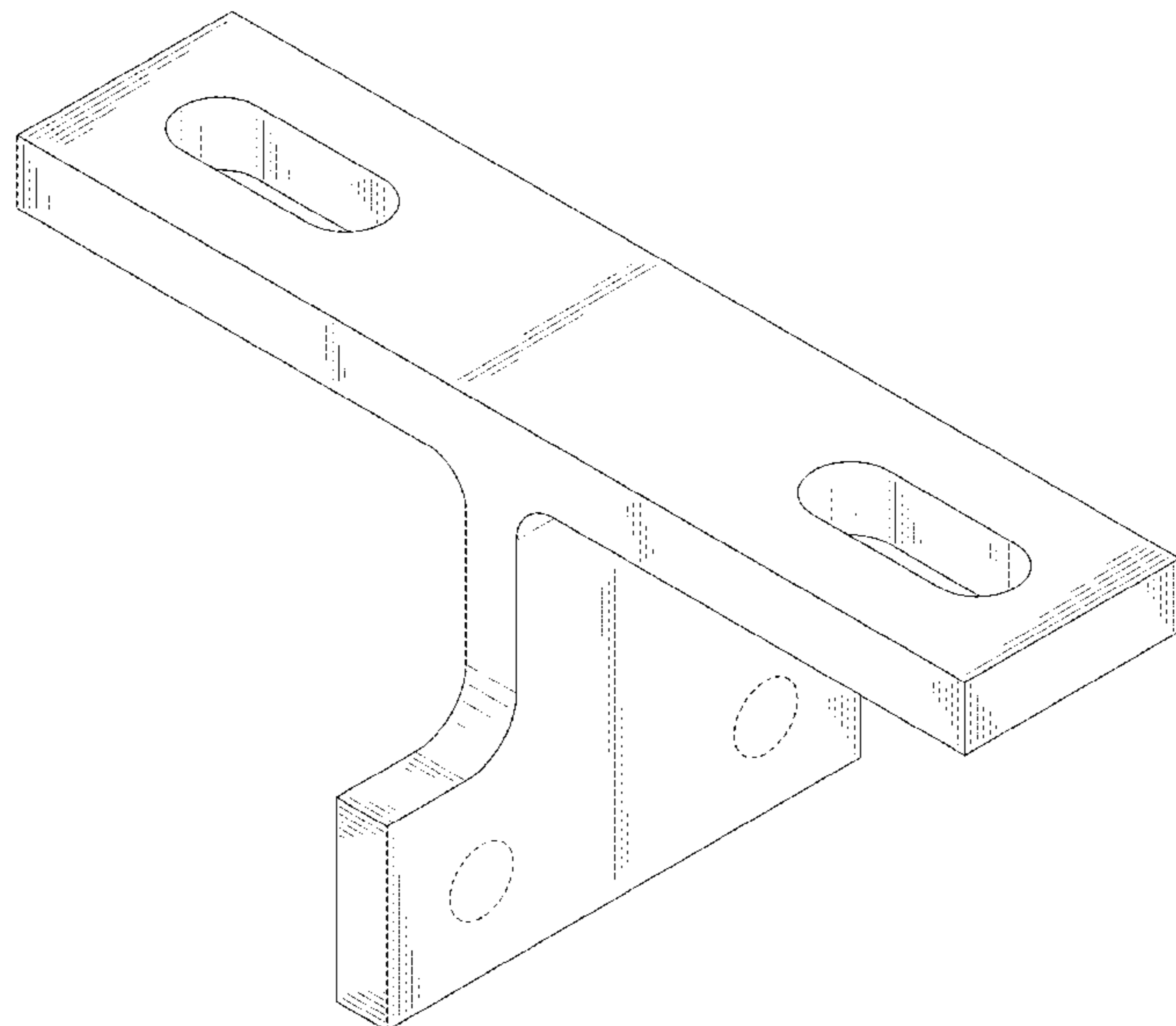
(57) **CLAIM**

The ornamental design for a T-shaped shelf, as shown and described.

DESCRIPTION

FIG. 1 is a front, right and top perspective view of a T-shaped shelf, showing my design.
FIG. 2 is a rear, left and bottom perspective view thereof.
FIG. 3 is a front elevation view thereof.
FIG. 4 is a rear elevation view thereof.
FIG. 5 is a left side elevation view thereof.
FIG. 6 is a right side elevation view thereof.
FIG. 7 is a top plan view thereof; and,
FIG. 8 is a bottom plan view thereof.
The broken lines shown in the drawings are included for the purpose of illustrating portions of the T-shaped shelf that form no part of the claimed design.

1 Claim, 8 Drawing Sheets



(56)

References Cited

U.S. PATENT DOCUMENTS

876,486 A * 1/1908 Pfafenbach B61B 12/122
104/208
931,799 A * 8/1909 Prouty E05D 15/063
16/98
1,169,568 A * 1/1916 Richards E05D 15/063
16/105
1,178,065 A * 4/1916 Ferris E05D 15/0634
16/105
1,191,334 A * 7/1916 Myers E05D 15/0639
16/105
1,787,468 A * 1/1931 Bittorf E05D 15/063
16/105
1,828,603 A * 10/1931 Holley B65G 9/002
16/98
1,920,774 A * 8/1933 Webb B65G 17/20
105/155
2,283,359 A * 5/1942 Gaboury B65G 17/20
105/154
2,470,060 A * 5/1949 Webb B60L 3/00
105/154
2,517,652 A * 8/1950 Gaboury B65G 17/20
105/154
2,556,487 A * 6/1951 Vogt B65G 17/20
198/686
D164,047 S * 7/1951 Mazzola D34/35
2,566,962 A * 9/1951 Ramsey B65G 9/006
248/215
2,581,948 A * 1/1952 Flounders B65G 9/006
105/150
2,611,326 A * 9/1952 Smallpeice B65G 17/20
105/154
2,633,226 A * 3/1953 Vogt B65G 17/20
198/686
RE23,658 E * 5/1953 Gaboury B65G 17/20
198/682
2,639,535 A * 5/1953 Greske A01K 91/06
43/27.2
2,718,852 A * 9/1955 Cacciatore A22C 15/003
104/93
3,231,067 A * 1/1966 Gaboury B65G 17/20
16/97
3,252,427 A * 5/1966 Bailey A22B 7/004
104/89
3,268,062 A * 8/1966 Gladstone B61B 13/04
104/95
3,418,948 A * 12/1968 Fromme B61B 10/025
104/178
3,429,278 A * 2/1969 Gonzales B65G 9/004
104/93
3,439,628 A * 4/1969 Mendelson B66C 21/00
105/51
3,469,892 A * 9/1969 Langstroth F16C 13/006
16/98
3,724,387 A * 4/1973 Civitarese B65G 9/002
16/98
3,738,477 A * 6/1973 Gename B65G 9/002
452/187
3,739,424 A * 6/1973 Gonsalves B65G 9/002
16/98
3,759,190 A * 9/1973 Harvey B61B 13/04
105/152
3,793,673 A * 2/1974 Lawrence, Jr. E05D 15/063
16/98
3,827,367 A * 8/1974 Paglia B65G 9/002
104/93
3,869,989 A * 3/1975 Pickstone E01B 25/24
104/106
3,880,087 A * 4/1975 Pamer F16F 13/08
267/153
3,926,303 A * 12/1975 McCall B65G 17/20
105/154

3,971,601 A * 7/1976 Sytsma B65G 17/20
16/98
D242,015 S * 10/1976 Busche B65G 17/20
D8/373
D242,016 S * 10/1976 Busche B65G 17/20
D8/373
D261,750 S * 11/1981 Miller B60L 3/00
D34/35
D262,100 S * 12/1981 Miller B65G 17/20
D34/35
D262,919 S * 2/1982 Miller B65G 17/20
D34/35
D263,574 S * 3/1982 Miller E05D 15/063
D34/35
D263,575 S * 3/1982 Miller E05D 15/0608
D34/35
4,464,997 A * 8/1984 Dehne B61B 10/025
105/155
D310,894 S * 9/1990 Smith E05D 15/063
D34/24
5,016,318 A * 5/1991 Harris E05D 15/0608
160/206
D319,131 S * 8/1991 Smeitink D34/12
5,085,150 A * 2/1992 Moore B60B 33/0015
295/36.1
D408,111 S * 4/1999 Cook E05D 15/063
D34/12
5,901,651 A * 5/1999 Boyd H02G 1/04
104/112
5,983,803 A * 11/1999 Eberle B65G 9/002
105/154
6,058,849 A * 5/2000 Ostholt B66C 11/06
105/154
6,199,829 B1 * 3/2001 Brown B65H 51/14
254/134.3 R
6,244,425 B1 * 6/2001 Volker B65G 17/20
452/187
6,494,141 B2 * 12/2002 Montambault H02G 1/02
104/112
6,494,305 B1 * 12/2002 Black A22B 5/0064
198/349
7,133,742 B2 * 11/2006 Cruysen A22C 21/0053
198/349.5
7,159,772 B2 * 1/2007 Vande Berg F16C 41/008
235/385
D550,921 S * 9/2007 McMorris B61C 13/04
D34/28
D644,669 S * 9/2011 Escobar E05D 15/063
D15/28
D657,395 S * 4/2012 Bauer E05D 15/0634
D15/11
D694,780 S * 12/2013 Raftery E05D 15/0639
D15/28
8,702,178 B2 * 4/2014 Breyer B65G 45/00
384/42
9,943,184 B1 * 4/2018 Kao A47H 5/032
11,565,886 B2 * 1/2023 Liu B65G 17/20
2004/0016080 A1 * 1/2004 De Oliveira E05D 15/063
16/97
2004/0173117 A1 * 9/2004 Galpin B61C 13/04
105/148
2018/0037413 A1 * 2/2018 Stauber B65G 17/38
2018/0215547 A1 * 8/2018 Fenile B65G 17/20

OTHER PUBLICATIONS

4 Wheel Trolley Assembly for Electric Hoist Installation Roller with 1-5/8" Wide and All 1-5/8" or Taller Strut Channel Quiet and Stable Design (4); SD Factory; Mar. 16, 2022 ; accessed Dec. 14, 2022; URL:< <https://www.amazon.com/dp/B09VQ5QJJB/>> (Year: 2022).* Inventor's, Ting Deng, publication on Amazon dated Oct. 14, 2021. Please refer to <https://www.amazon.com/dp/B09JFLNQL4>, the Declaration, the Sales Authorization Certificate, the Business License

(56)

References Cited

OTHER PUBLICATIONS

and its translation in English, and the Proof of Identity of Legal Representative.

* cited by examiner

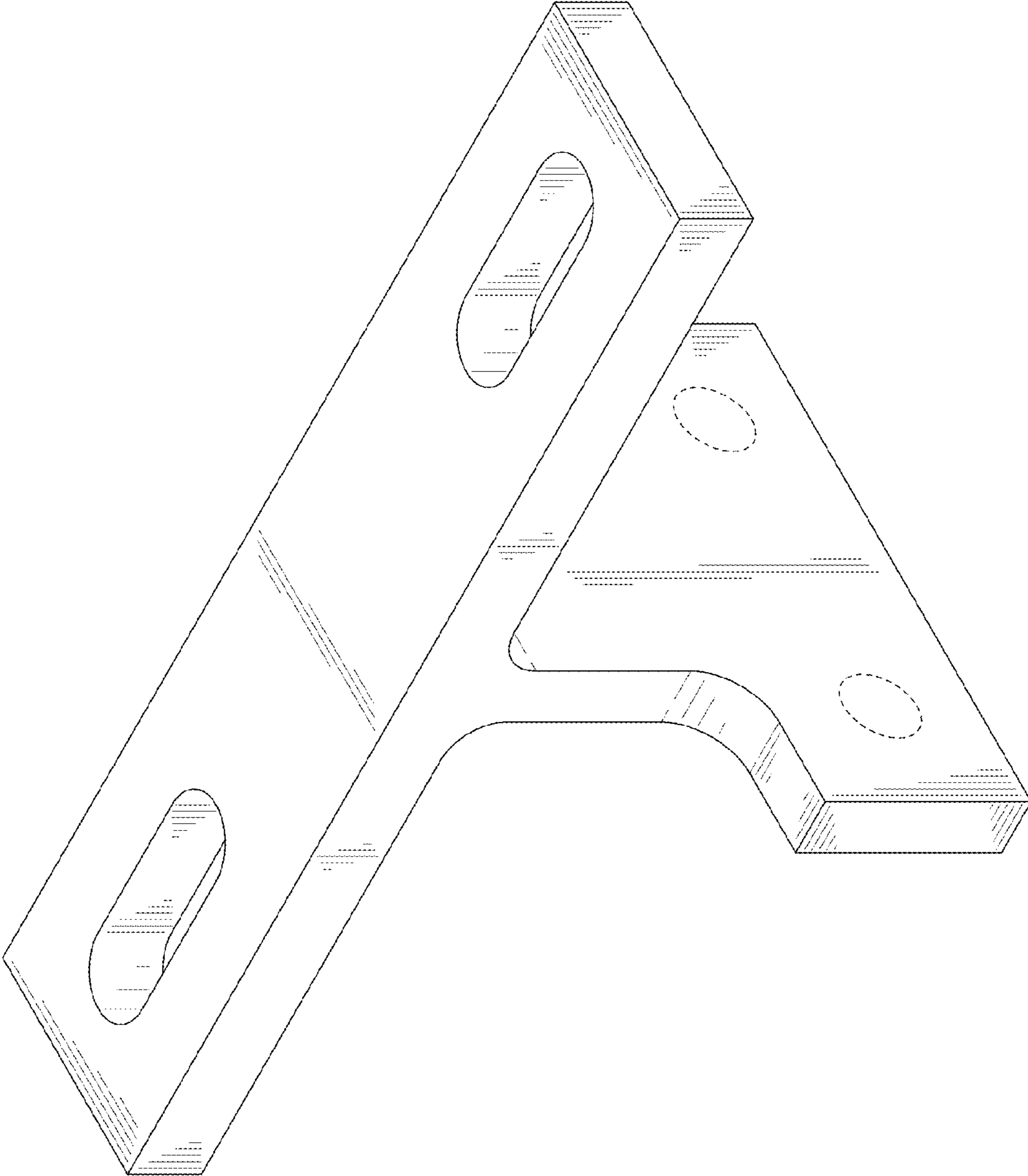


FIG. 1

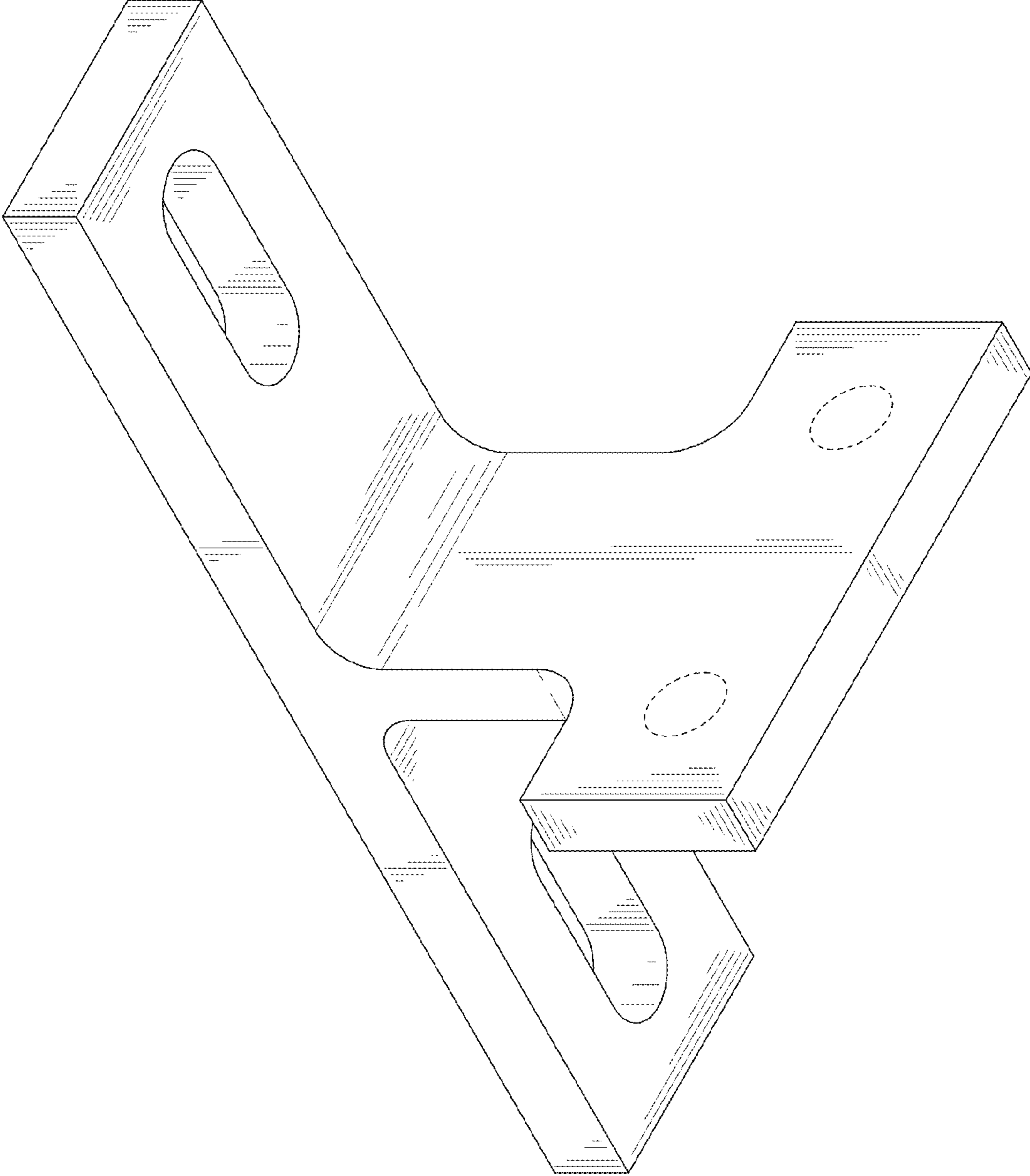


FIG. 2

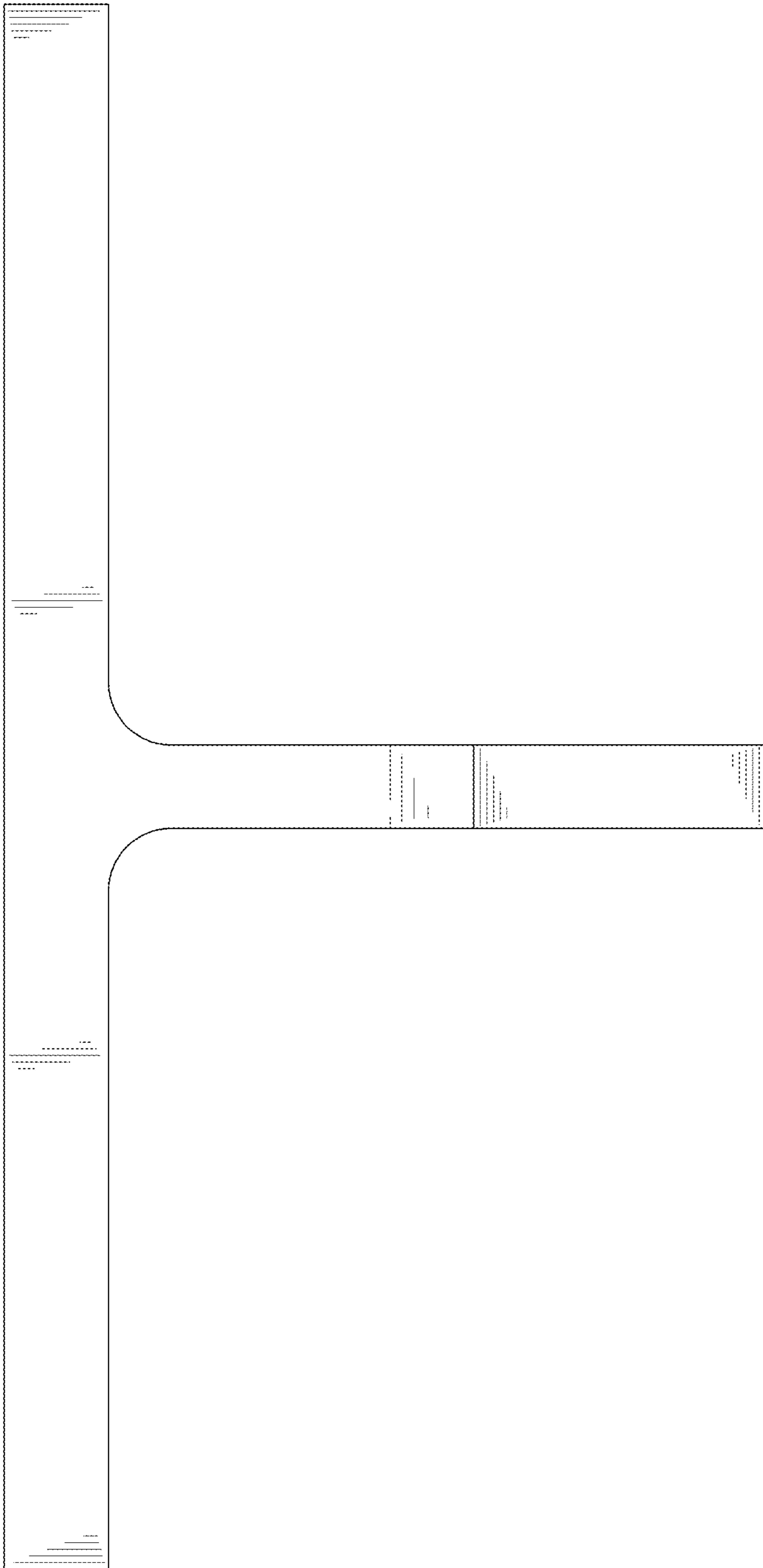


FIG. 3

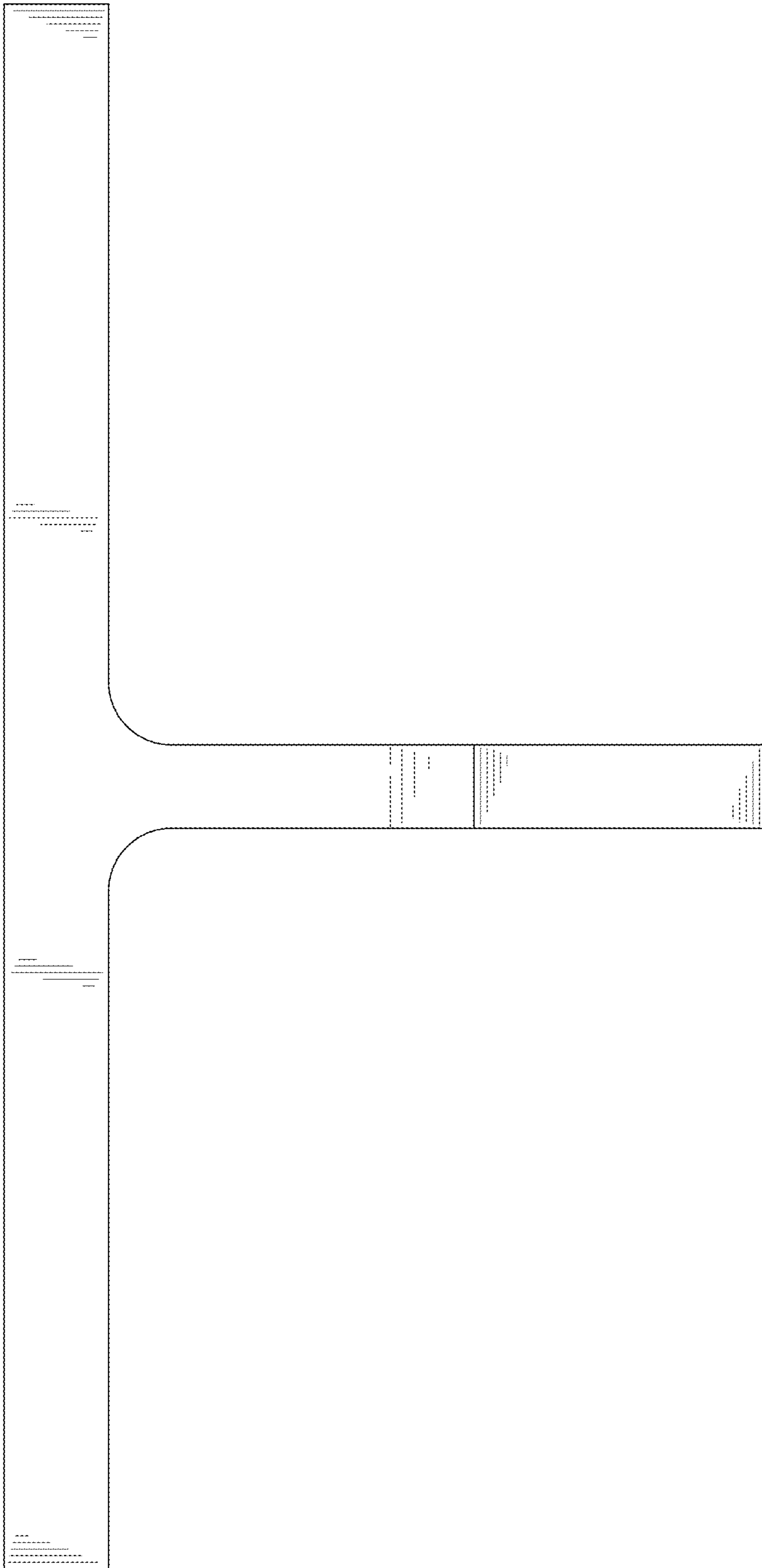


FIG. 4

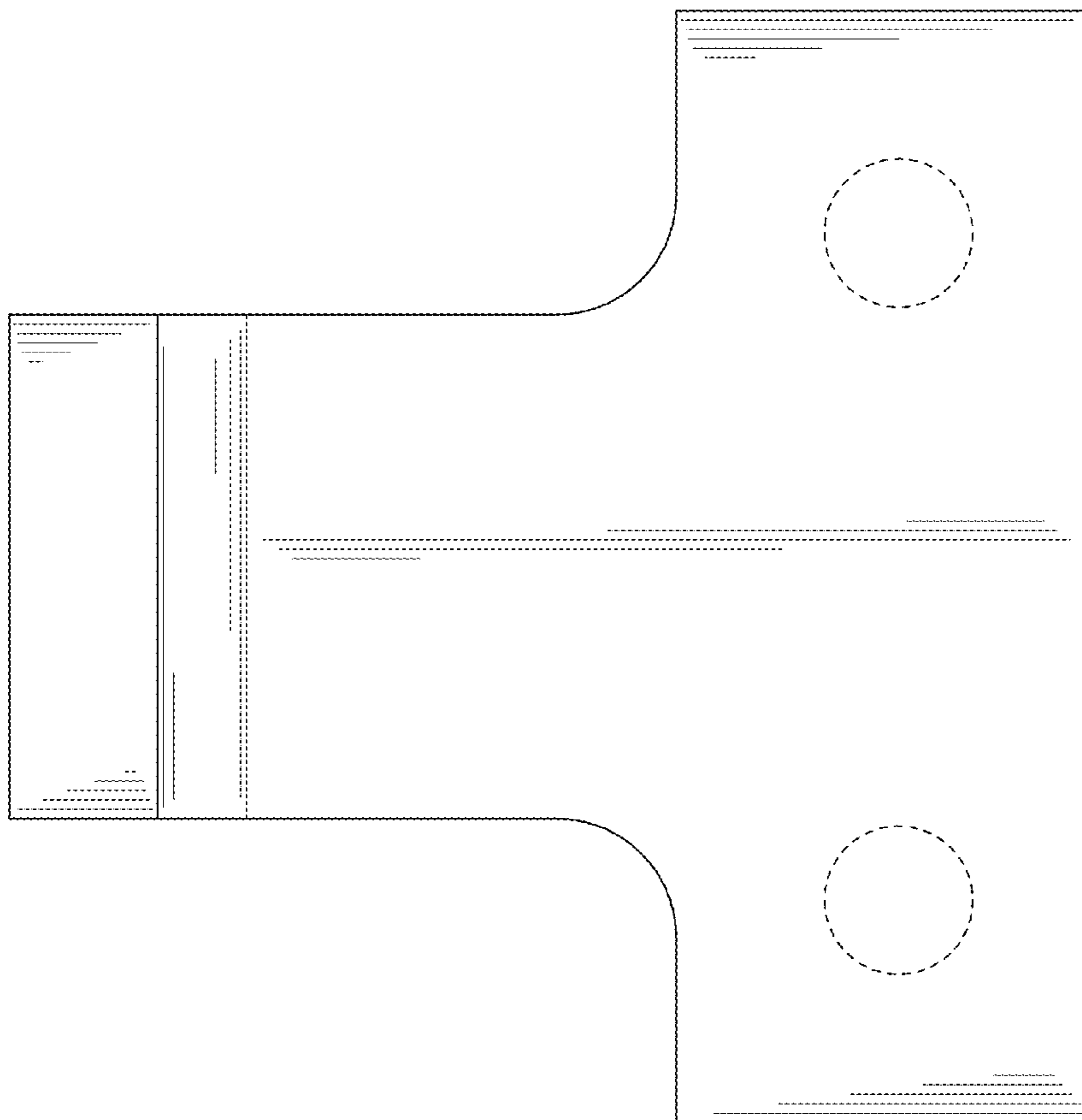


FIG. 5

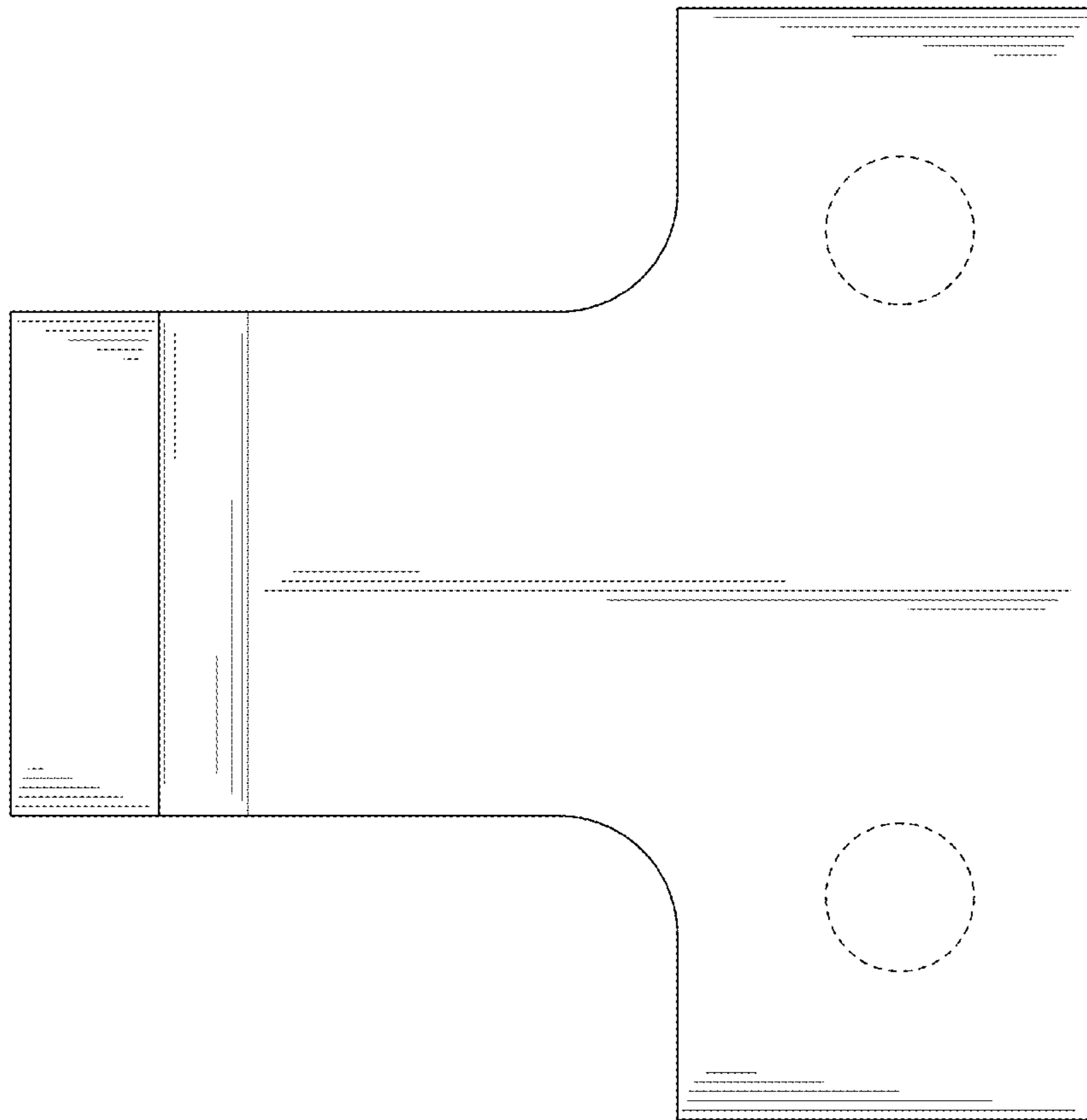


FIG. 6

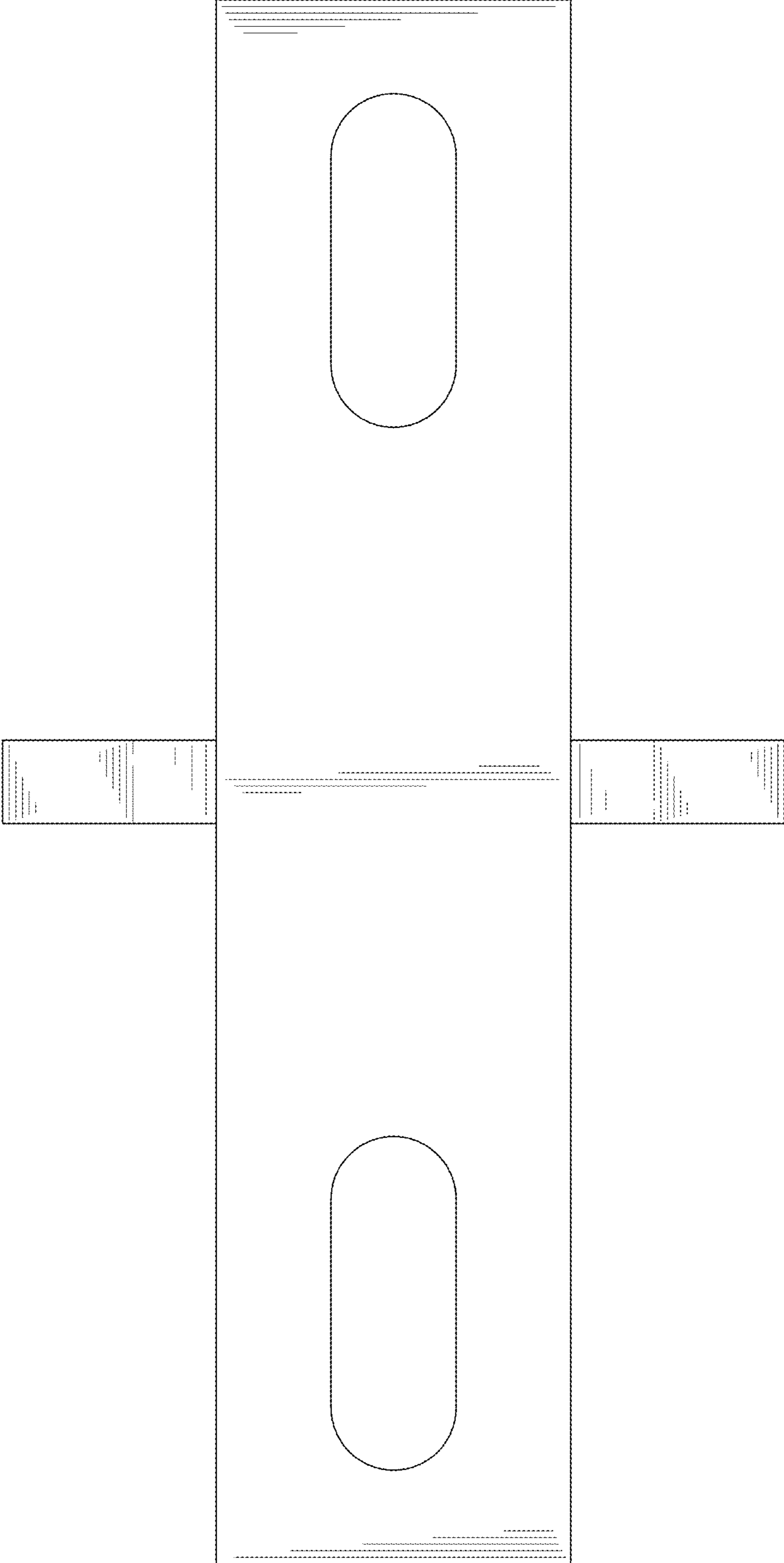


FIG. 7

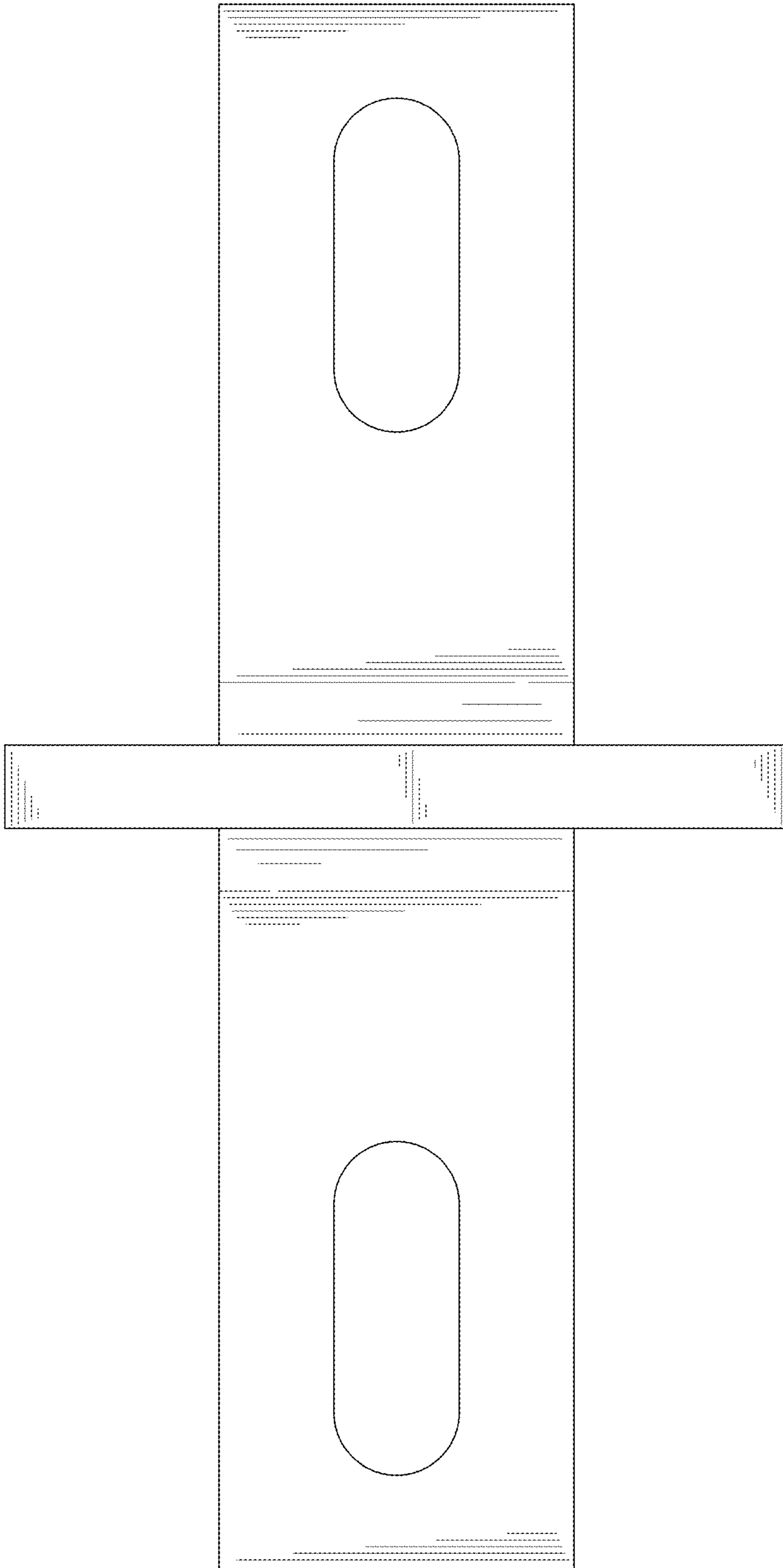


FIG. 8