



US00D982874S

(12) **United States Design Patent**
Muhl

(10) **Patent No.:** **US D982,874 S**

(45) **Date of Patent:** **** Apr. 4, 2023**

(54) **REAR PART OF A FORKLIFT**

(71) Applicant: **JUNGHEINRICH**
AKTIENGESELLSCHAFT, Hamburg
(DE)

(72) Inventor: **Till Muhl**, Quickborn-Heide (DE)

(73) Assignee: **Jungheinrich Aktiengesellschaft**,
Hamburg (DE)

(**) Term: **15 Years**

(21) Appl. No.: **29/818,188**

(22) Filed: **Dec. 7, 2021**

Related U.S. Application Data

(62) Division of application No. 29/717,224, filed on Dec. 16, 2019, now Pat. No. Des. 940,429.

(51) **LOC (14) Cl.** **12-05**

(52) **U.S. Cl.**
USPC **D34/35**

(58) **Field of Classification Search**
USPC D34/34, 35; D15/31, 28
CPC B60R 13/04; B66F 9/07563
See application file for complete search history.

(56) **References Cited**

U.S. PATENT DOCUMENTS

D497,370 S * 10/2004 Katoh D15/31
D651,783 S * 1/2012 Shibata D34/34
D656,293 S * 3/2012 Kazaoka D34/35
D657,113 S * 4/2012 Shibata D34/35

D731,736 S * 6/2015 Kurihara D34/34
D754,940 S * 4/2016 Wen D34/34
D778,523 S * 2/2017 Stark D34/34
D818,238 S * 5/2018 Stark D34/35
D898,082 S * 10/2020 Niclot D15/30
D903,974 S * 12/2020 Moreno Piedra D15/31

* cited by examiner

Primary Examiner — Cynthia Ramirez

Assistant Examiner — Tamara L Hahn

(74) *Attorney, Agent, or Firm* — Meunier Carlin & Curfman LLC

(57) **CLAIM**

The ornamental design for a rear part of a forklift, as shown and described.

DESCRIPTION

FIG. 1 is a right-side perspective view of a rear part of a forklift showing my new design.

FIG. 2 is a right-side view of my new design shown in FIG. 1.

FIG. 3 is a left-side view of my new design shown in FIG. 1.

FIG. 4 is a top view of my new design shown in FIG. 1.

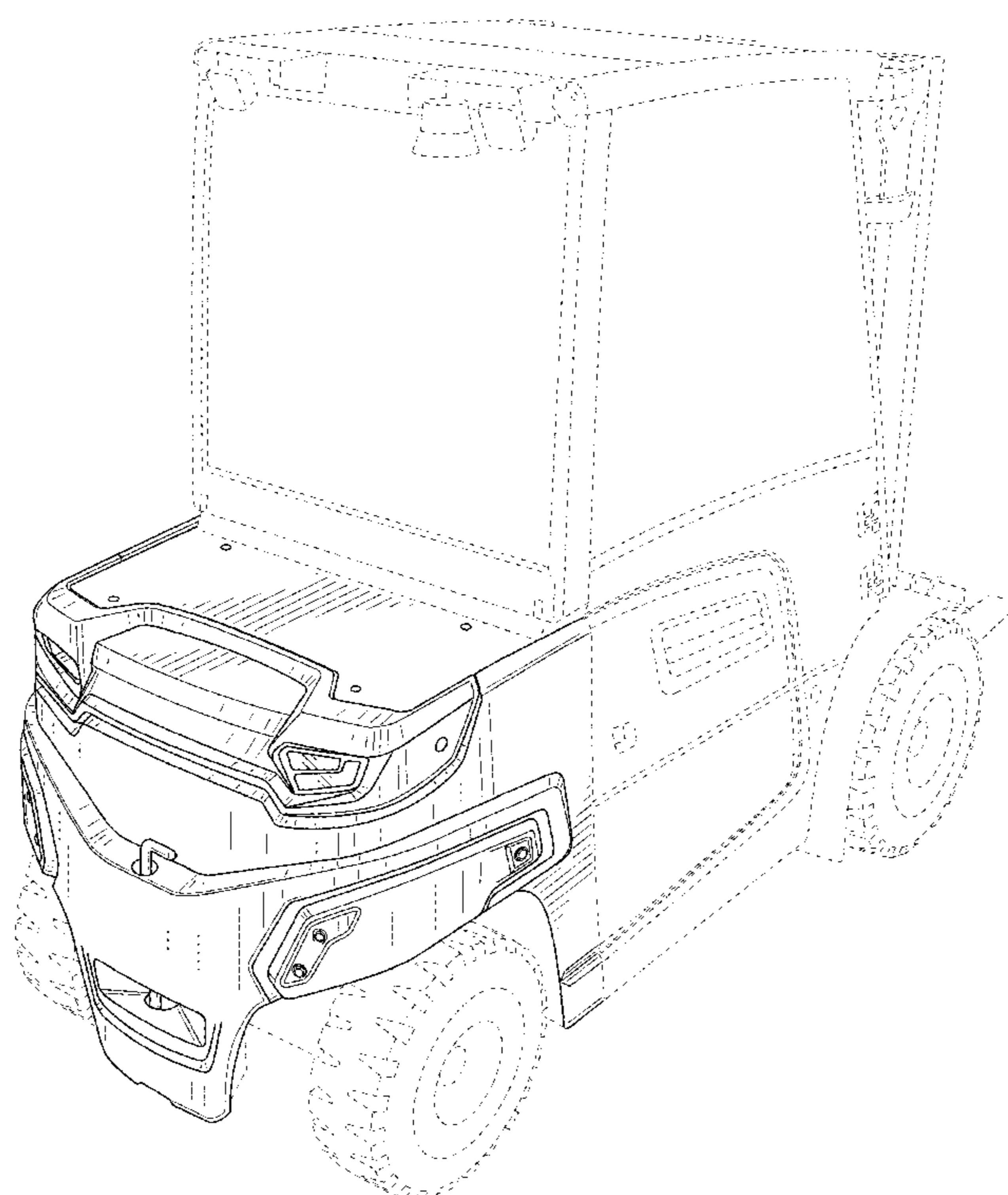
FIG. 5 is a bottom view of my new design shown in FIG. 1.

FIG. 6 is a front view of my new design shown in FIG. 1.

FIG. 7 is a rear view of my new design shown in FIG. 1; and, FIG. 8 is a right-side perspective view of my new design shown in FIG. 1.

The broken lines in the drawings depict environment that forms no part of the claimed design.

1 Claim, 8 Drawing Sheets



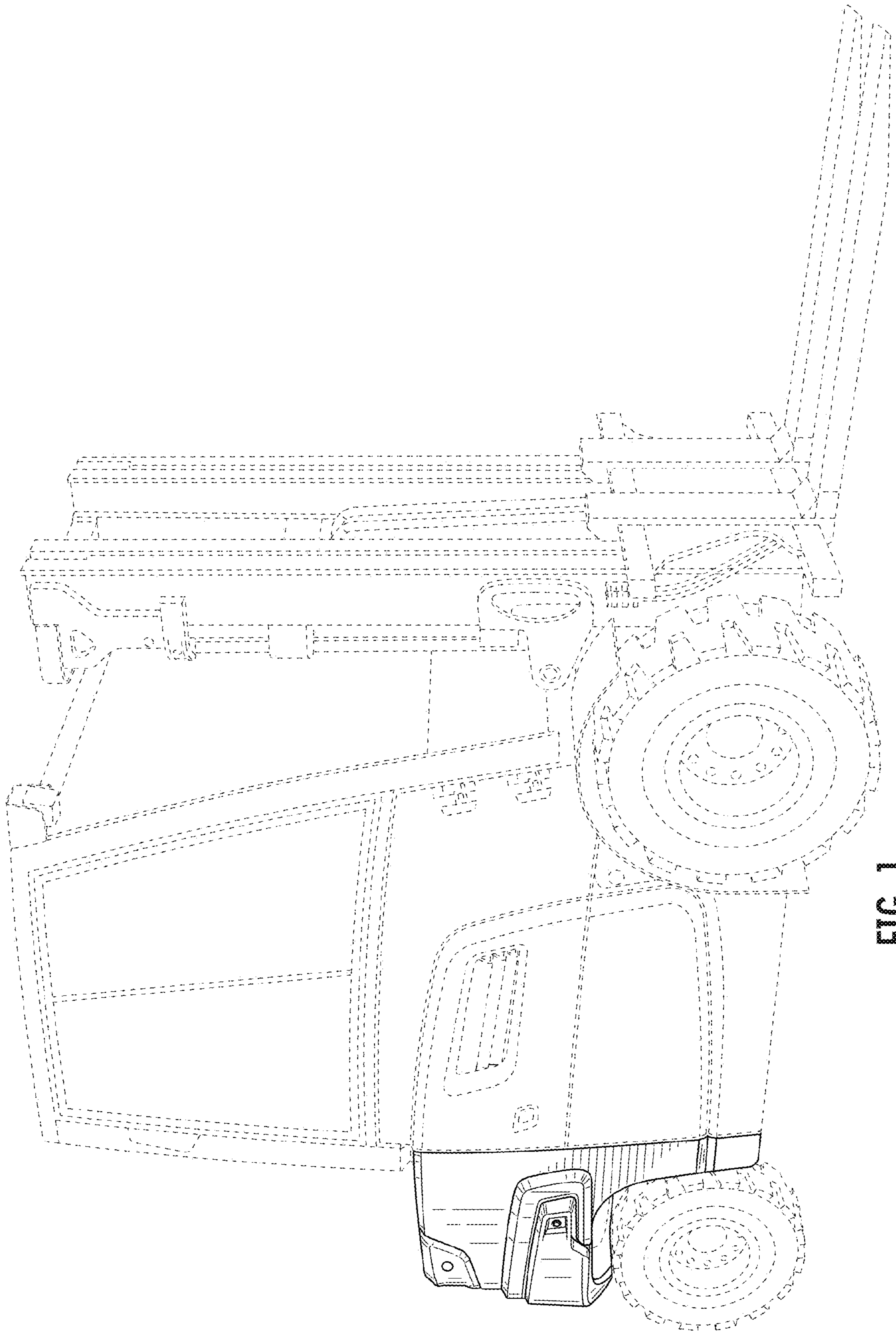


FIG. 1

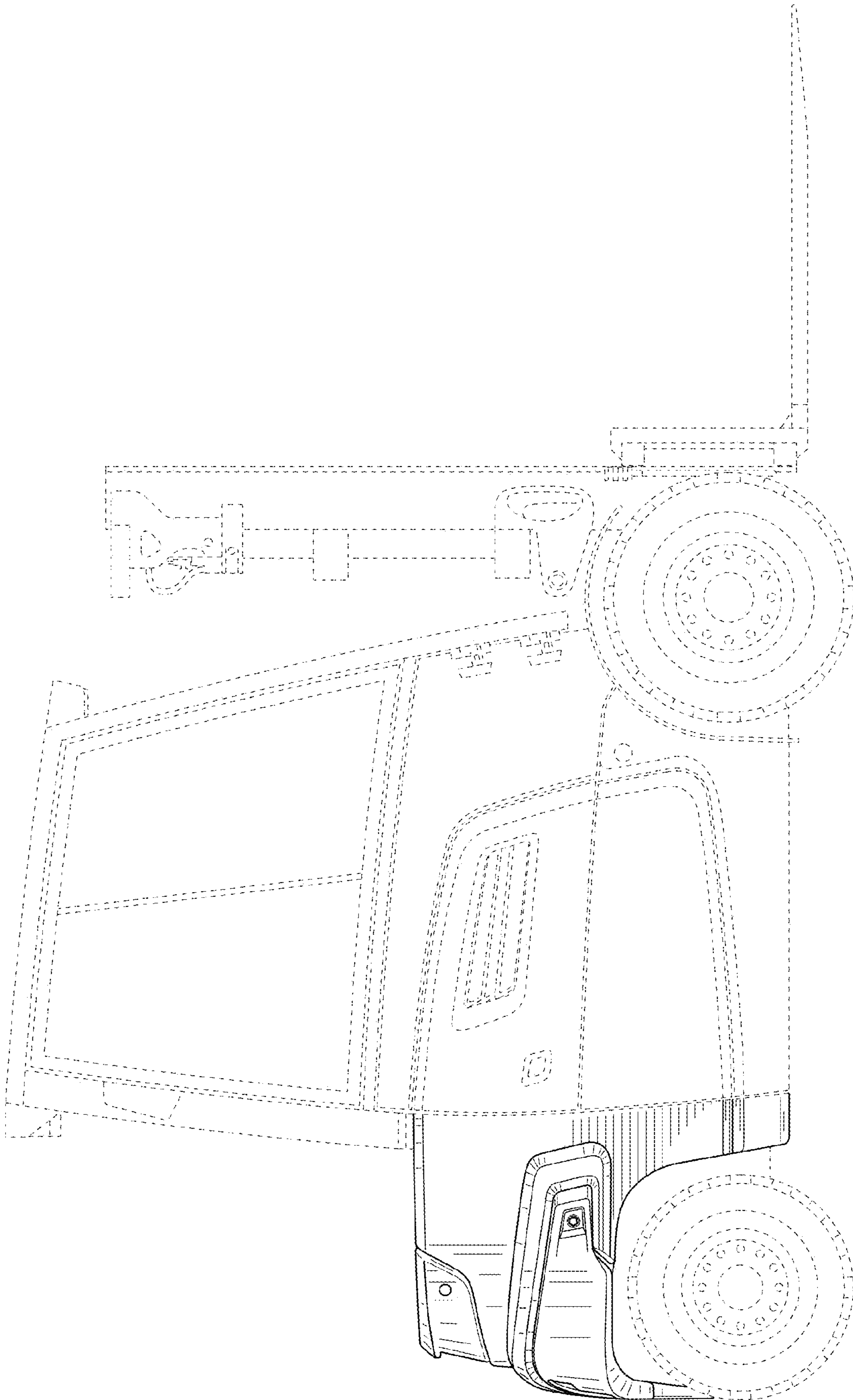


FIG. 2

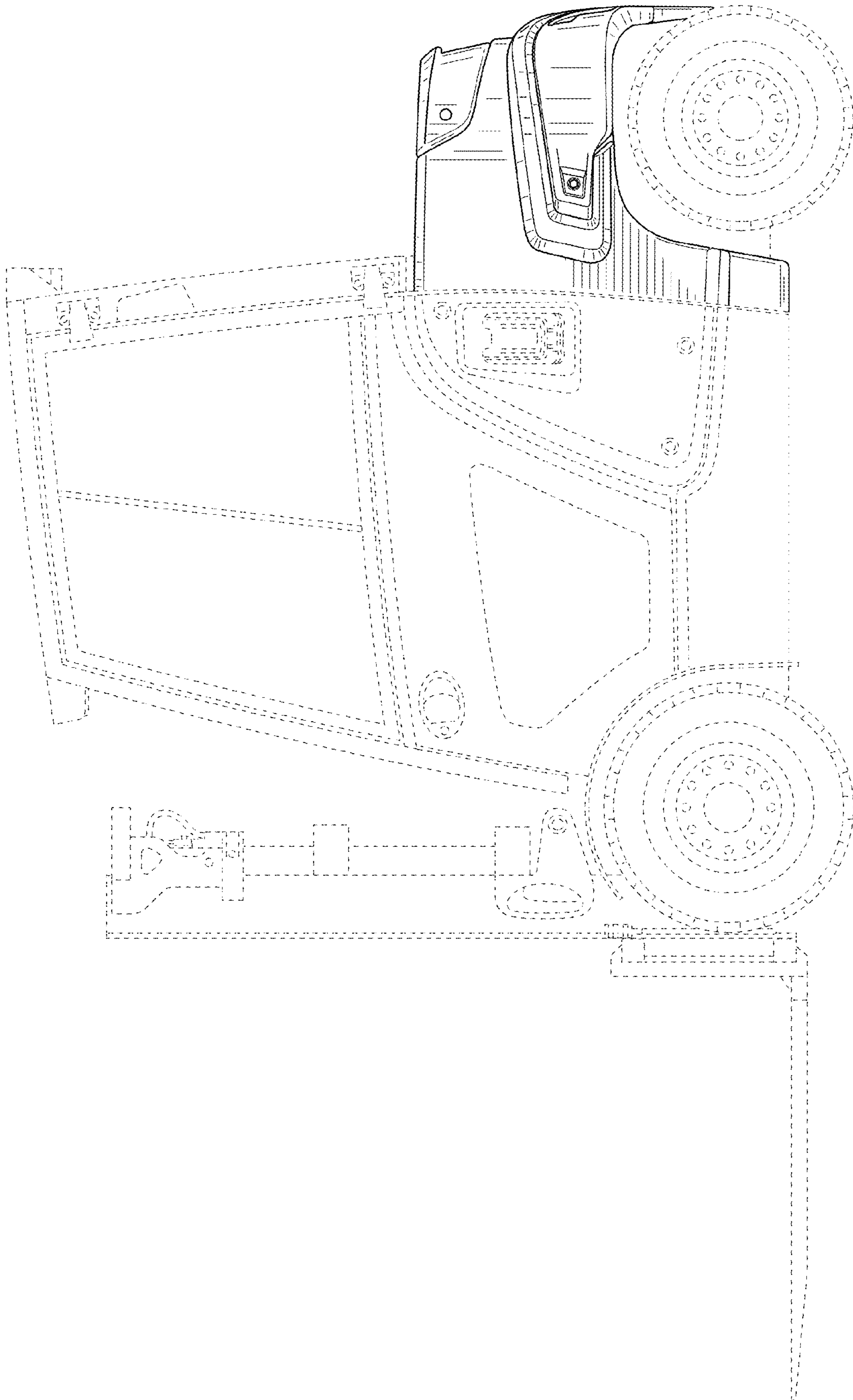


FIG. 3

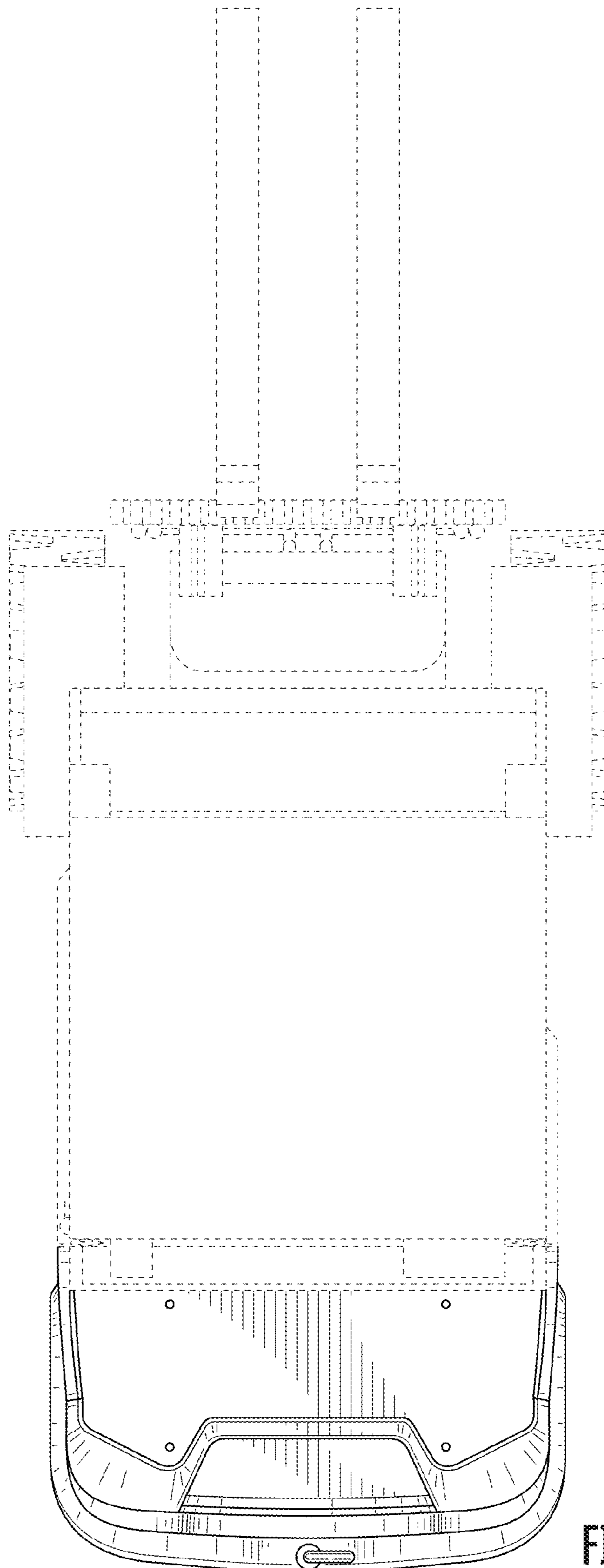


FIG. 4

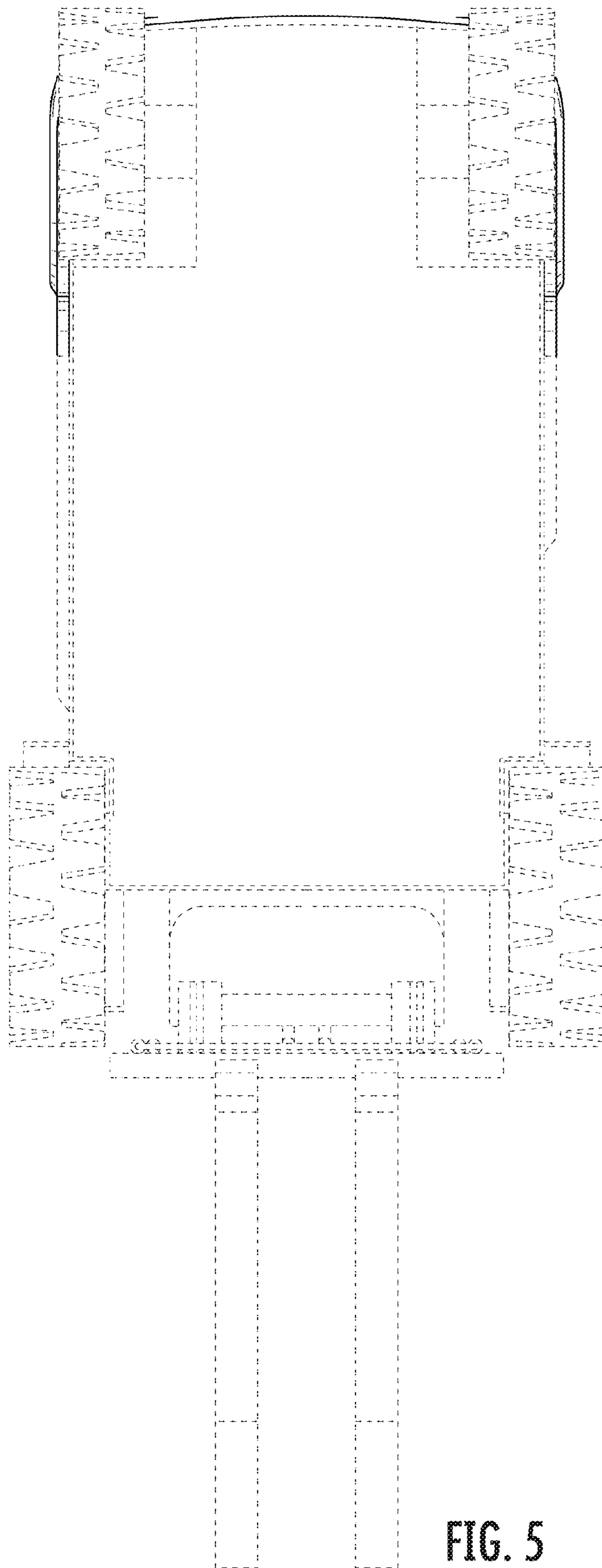


FIG. 5

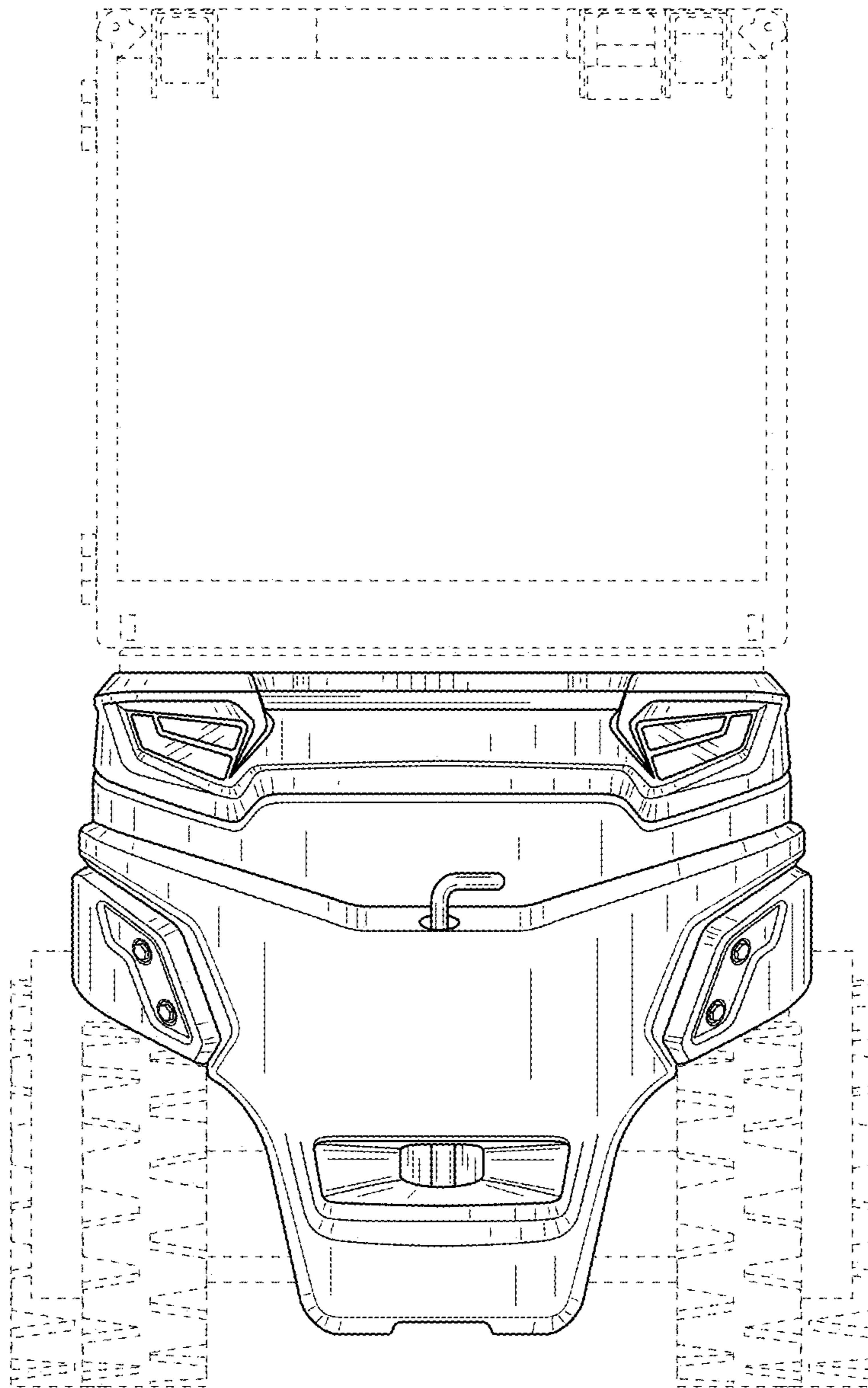


FIG. 6

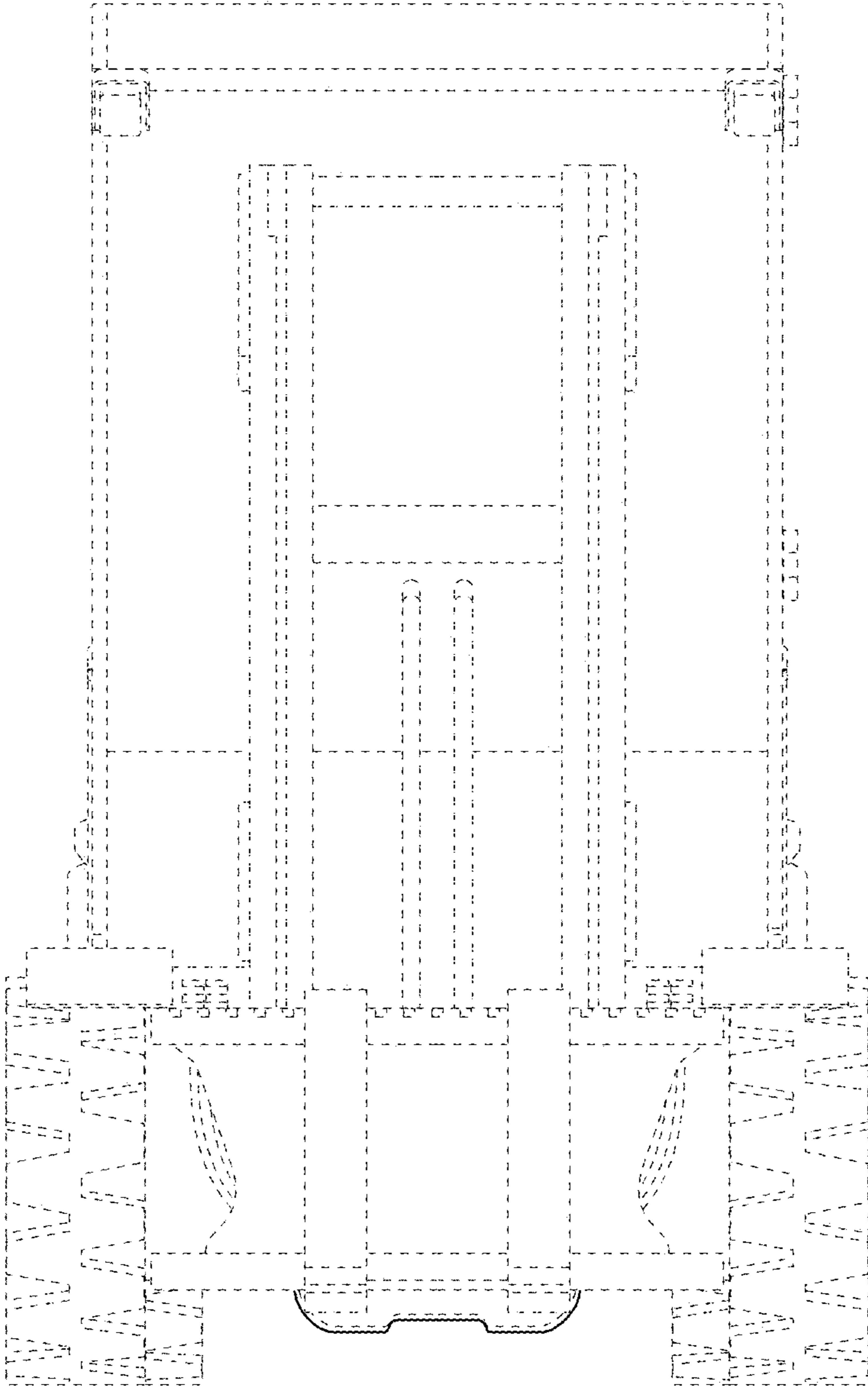


FIG. 7

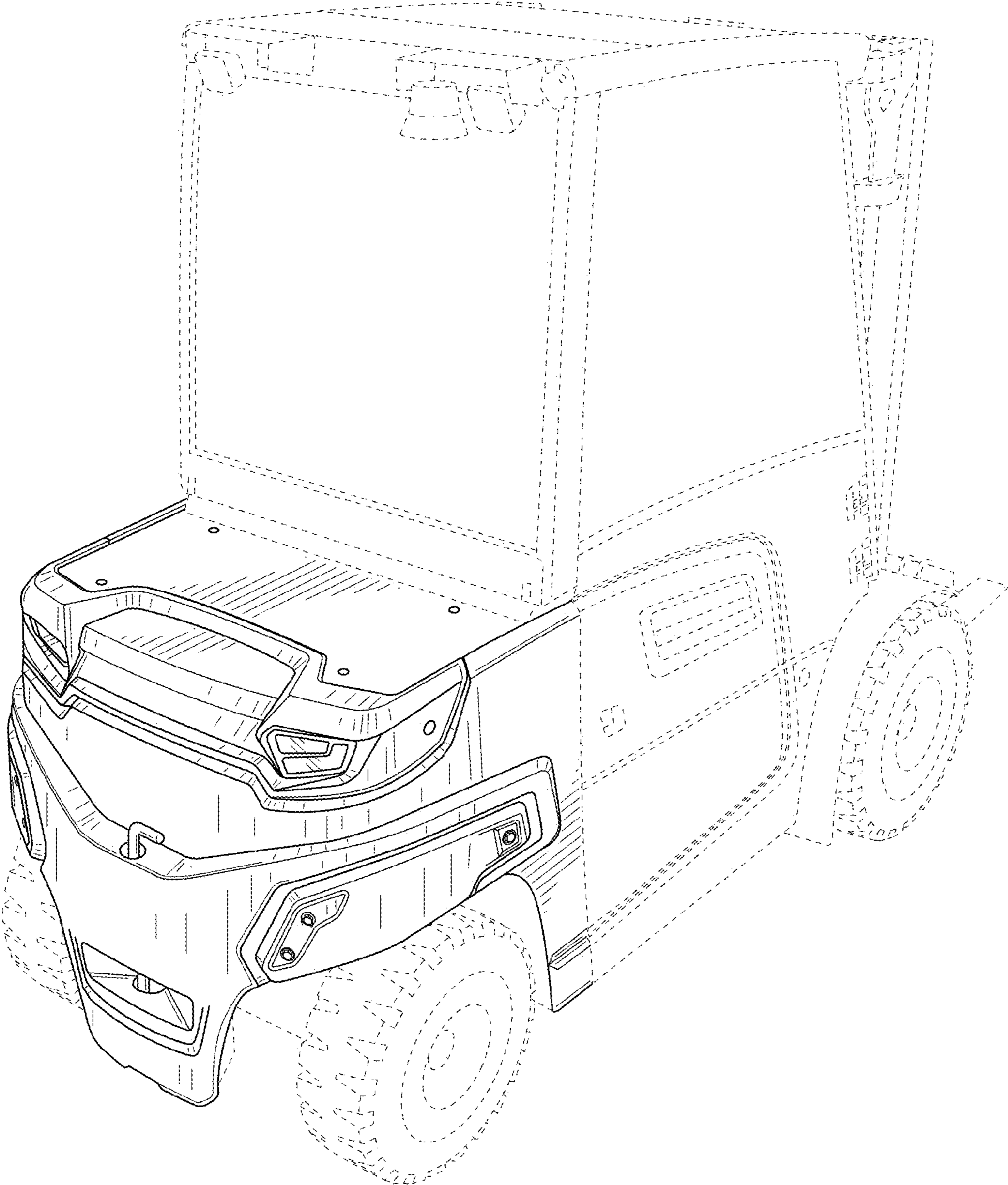


FIG. 8