



US00D982873S

(12) **United States Design Patent** (10) **Patent No.:** **US D982,873 S**  
**Tian** (45) **Date of Patent:** **\*\* Apr. 4, 2023**

(54) **ELECTRIC WINCH**  
(71) Applicant: **Ningbo Together Trading Co., Ltd.**,  
Ningbo (CN)  
(72) Inventor: **Huike Tian**, Ningbo (CN)  
(73) Assignee: **NINGBO TOGETHER TRADING**  
**Co., Ltd.**, Zhejiang (CN)  
(\*\*) Term: **15 Years**  
(21) Appl. No.: **29/752,668**  
(22) Filed: **Sep. 28, 2020**  
(51) **LOC (14) Cl.** ..... **12-05**  
(52) **U.S. Cl.**  
USPC ..... **D34/33**  
(58) **Field of Classification Search**  
USPC ..... D34/28, 29, 30, 31, 33, 34, 35  
CPC ..... B66F 5/04; B66F 5/00; B66F 5/02; B66F  
3/42; B66F 3/44; B66F 1/06; B66F  
19/00; B66F 2700/05; B66D 1/12; B66D  
1/00; B66D 1/36; B66D 1/30; B66D  
1/18; B66D 2700/01  
See application file for complete search history.

D852,452 S \* 6/2019 Fretz ..... D34/33  
D898,321 S \* 10/2020 Fretz ..... D34/33  
D903,221 S \* 11/2020 Feng ..... D34/33  
D947,482 S \* 3/2022 Zheng ..... D34/33  
2016/0311667 A1\* 10/2016 Huang ..... B66D 1/58  
2016/0311668 A1\* 10/2016 Huang ..... B66D 1/00  
2018/0201486 A1\* 7/2018 Huang ..... B66D 1/02

**FOREIGN PATENT DOCUMENTS**

CN 306349451 \* 2/2021

\* cited by examiner

*Primary Examiner* — Cynthia Ramirez  
*Assistant Examiner* — Tamara L Hahn  
(74) *Attorney, Agent, or Firm* — Craft Chu PLLC;  
Andrew W. Chu

(57) **CLAIM**

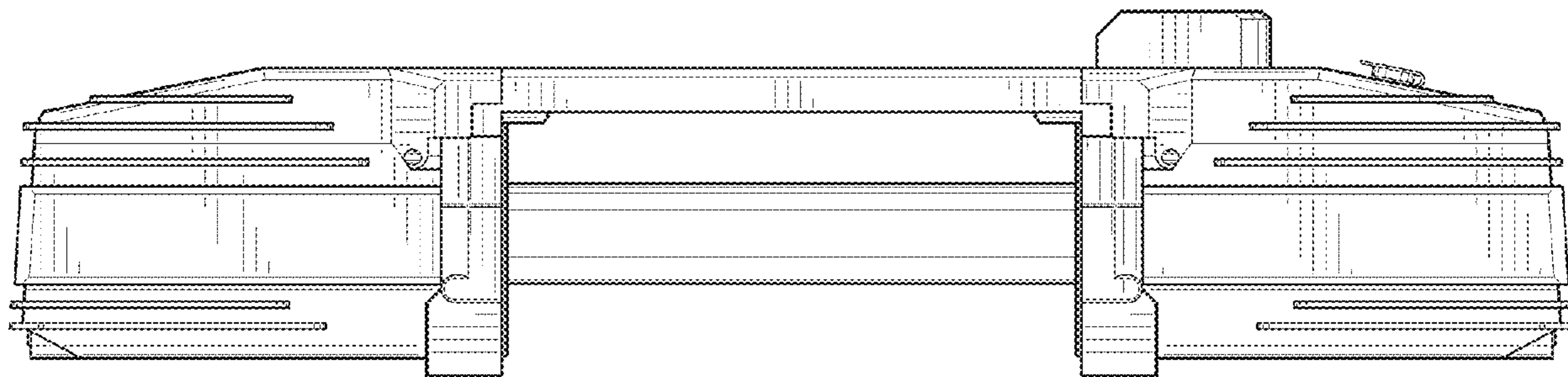
The ornamental design for an electric winch, as shown and described.

**DESCRIPTION**

FIG. 1 is an upper perspective view of the electric winch showing my design;  
FIG. 2 is a side elevation view thereof;  
FIG. 3 is a top plan view thereof;  
FIG. 4 is an opposite side elevation view thereof;  
FIG. 5 is a bottom plan view thereof;  
FIG. 6 is an end elevation view; and,  
FIG. 7 is an opposite end elevation view.  
The broken lines shown in the drawings depict portions of the electric winch that form no part of the claimed design.

**1 Claim, 3 Drawing Sheets**

(56) **References Cited**  
U.S. PATENT DOCUMENTS  
D799,144 S 10/2017 Cui  
D816,937 S 5/2018 Fretz et al.  
D849,352 S 5/2019 Fretz et al.  
D849,353 S 5/2019 Fretz et al.



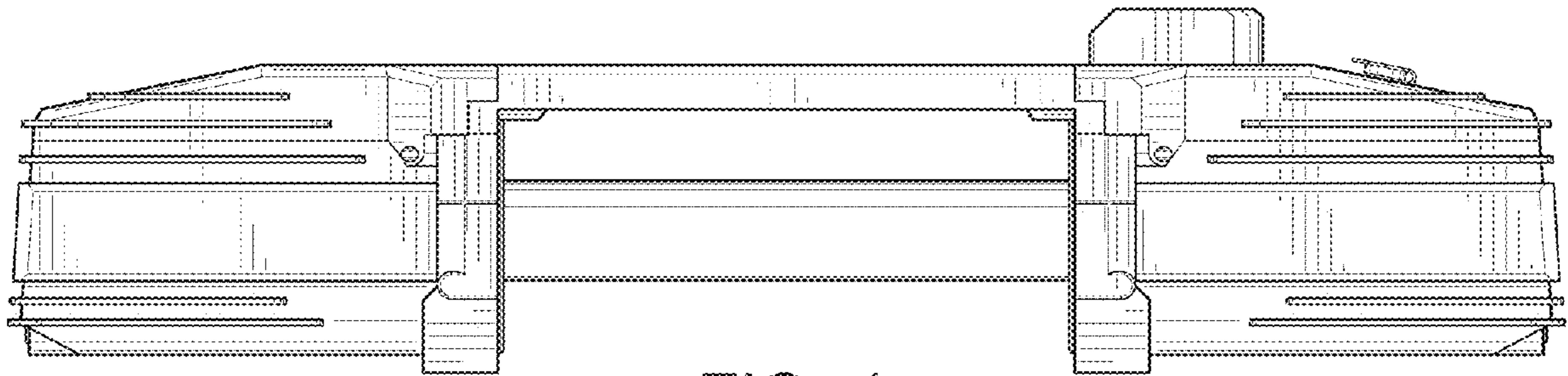


FIG. 1

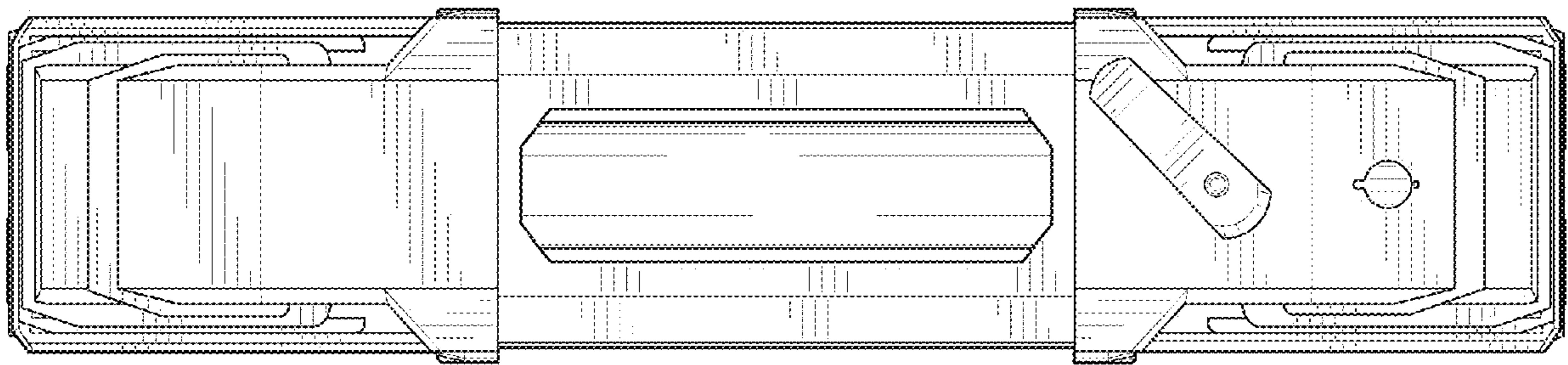


FIG. 2

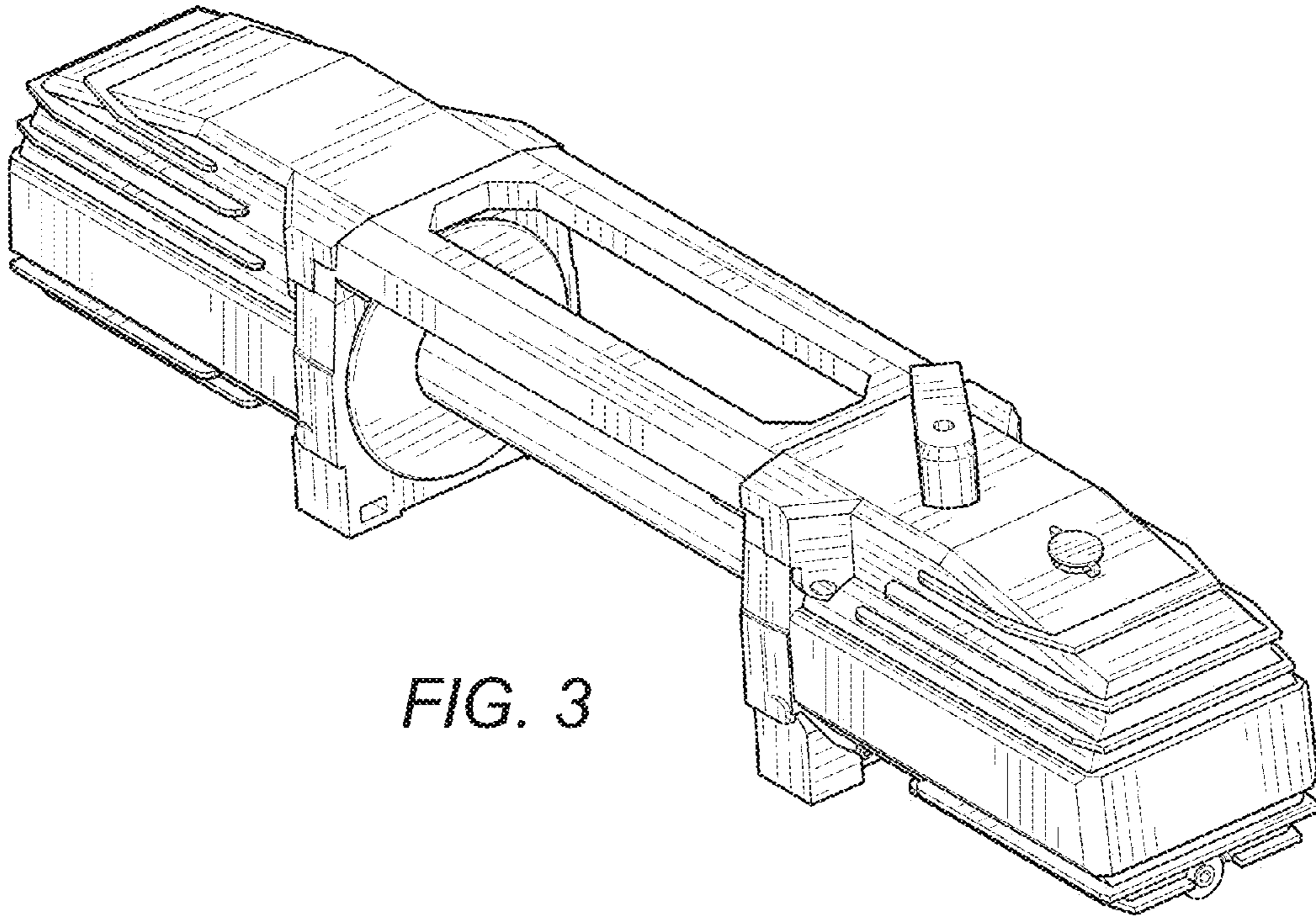


FIG. 3

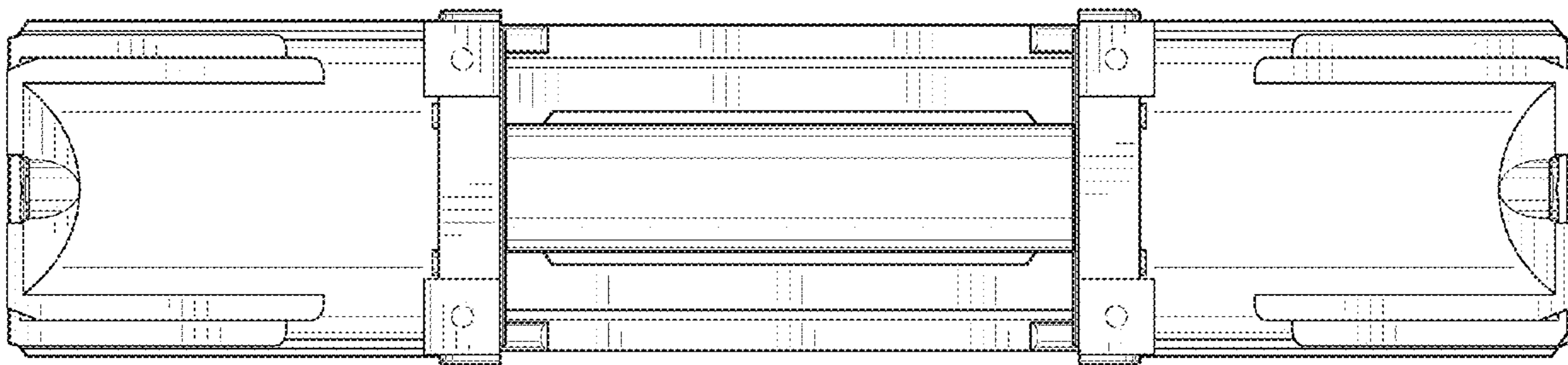


FIG. 4

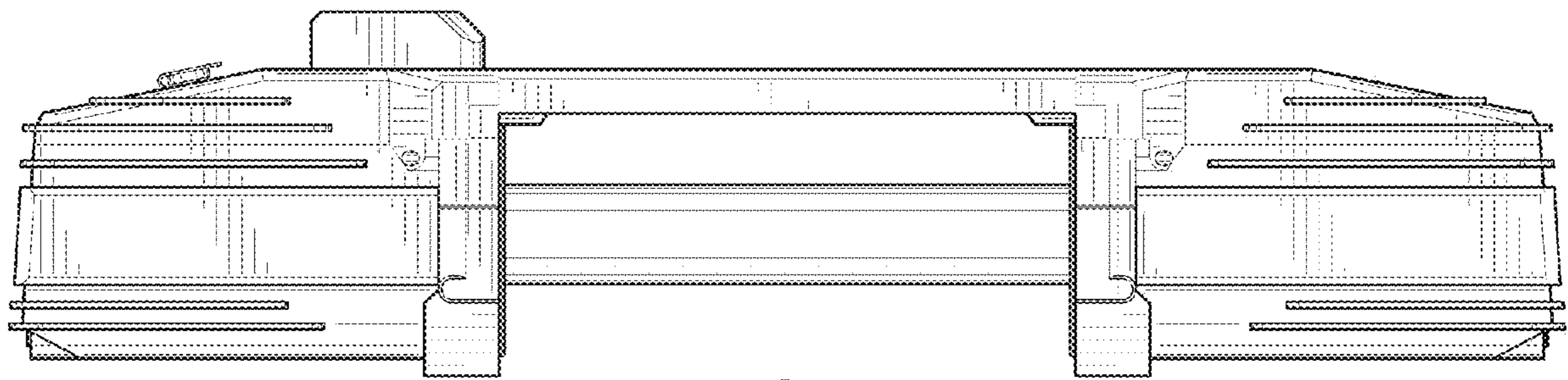


FIG. 5

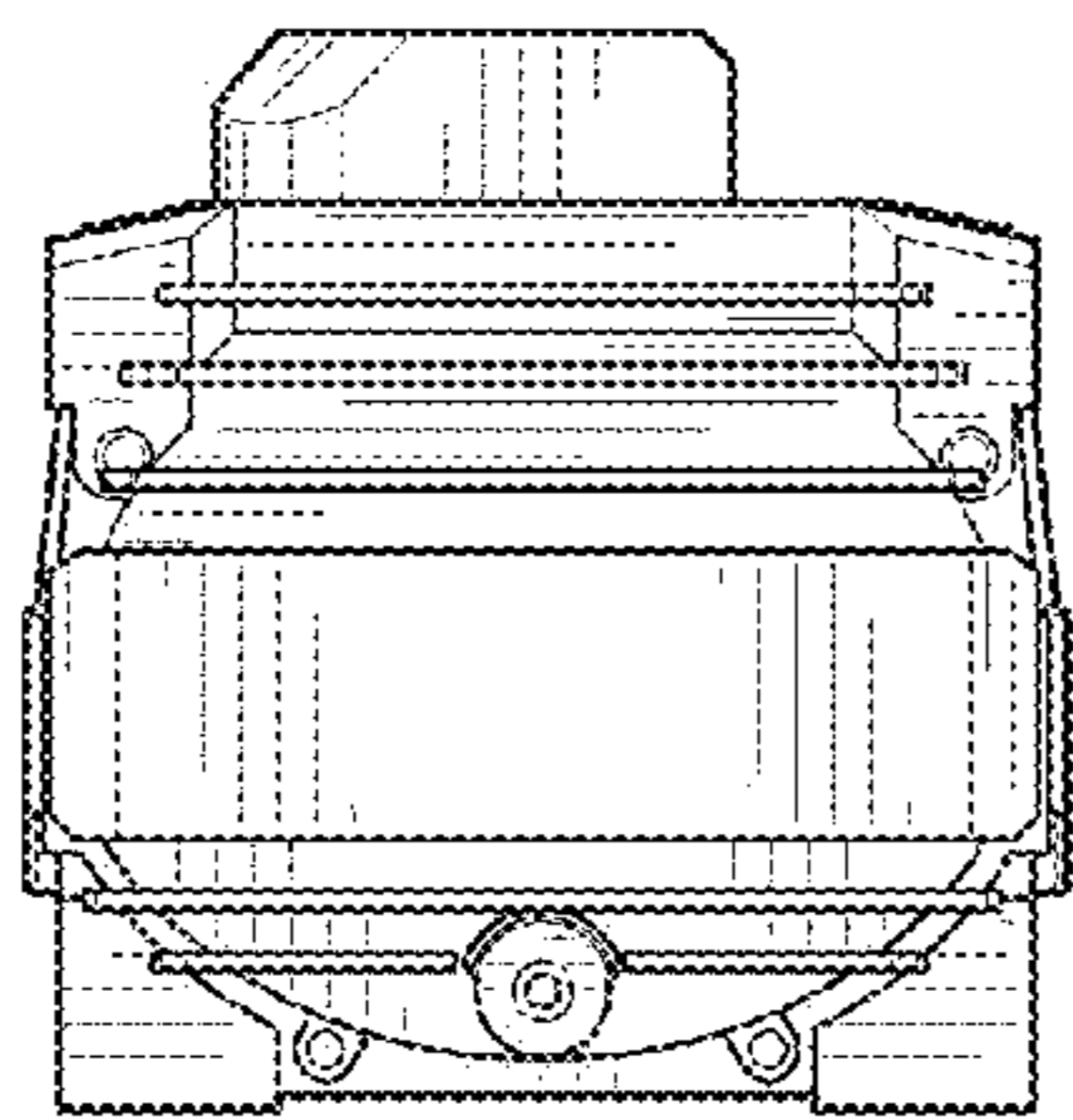


FIG. 6

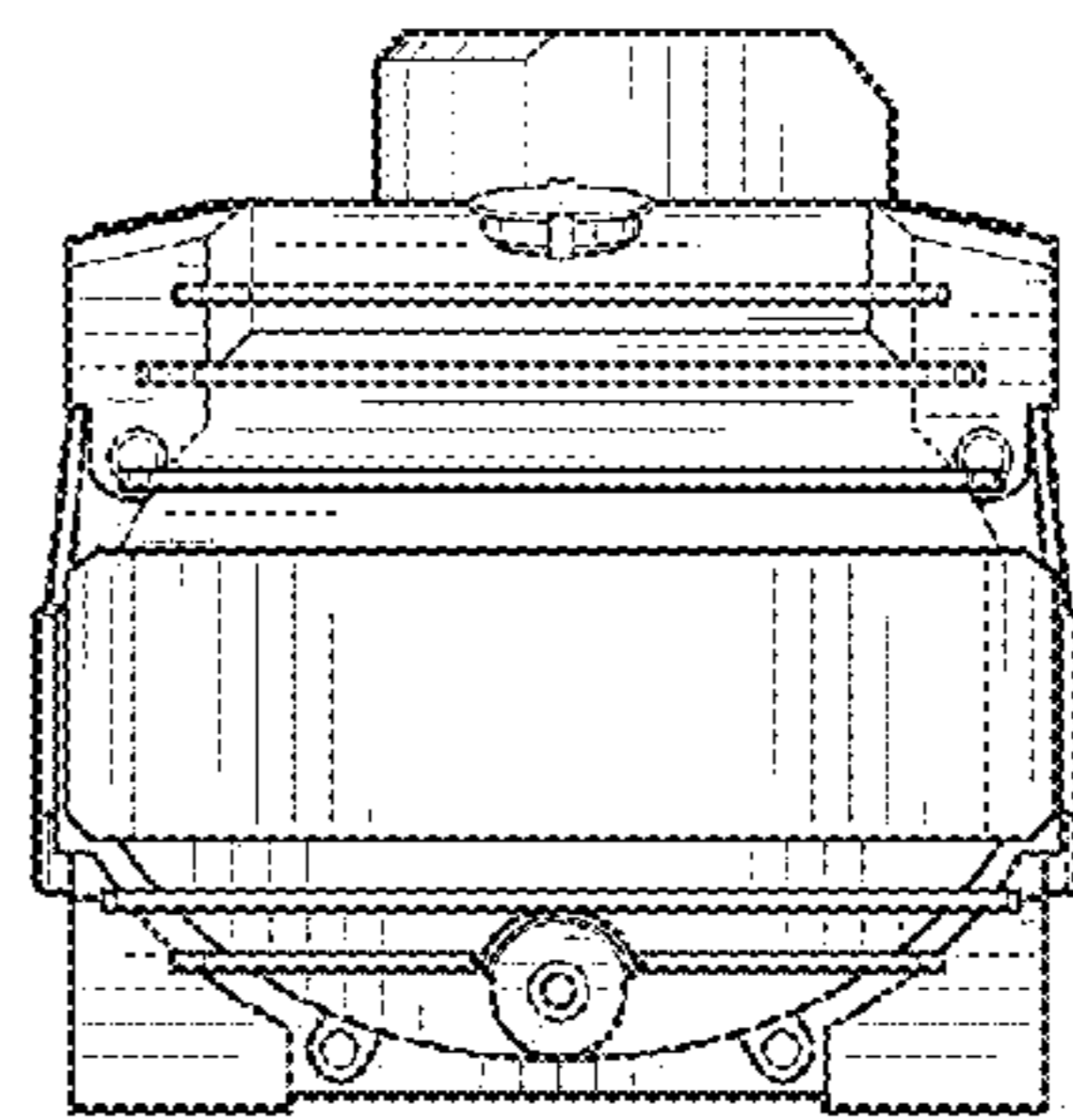


FIG. 7