



US00D982872S

(12) **United States Design Patent**
Tian

(10) **Patent No.:** **US D982,872 S**

(45) **Date of Patent:** **** Apr. 4, 2023**

(54) **ELECTRIC WINCH**

(71) Applicant: **Ningbo Together Trading Co., Ltd.**,
Ningbo (CN)

(72) Inventor: **Huike Tian**, Ningbo (CN)

(73) Assignee: **NINGBO TOGETHER TRADING Co., Ltd.**, Ningbo (CN)

(**) Term: **15 Years**

(21) Appl. No.: **29/752,666**

(22) Filed: **Sep. 28, 2020**

(51) **LOC (14) Cl.** **12-05**

(52) **U.S. Cl.**
USPC **D34/33**

(58) **Field of Classification Search**
USPC D34/28, 29, 30, 31, 33, 34, 35
CPC B66F 5/04; B66F 5/00; B66F 5/02; B66F 3/42; B66F 3/44; B66F 1/06; B66F 19/00; B66F 2700/05; B66D 1/12; B66D 1/00; B66D 1/36; B66D 1/30; B66D 1/18; B66D 2700/01

See application file for complete search history.

(56) **References Cited**

U.S. PATENT DOCUMENTS

D799,143	S	*	10/2017	Cui	D34/33
D799,144	S		10/2017	Cui		
D816,937	S		5/2018	Fretz et al.		
D849,352	S		5/2019	Fretz et al.		
D849,353	S		5/2019	Fretz et al.		
D852,452	S	*	6/2019	Fretz	D34/33
D866,115	S	*	11/2019	Fretz	D34/33
10,549,965	B1	*	2/2020	Cui	B66D 1/24
D898,321	S	*	10/2020	Fretz	D34/33
D903,221	S	*	11/2020	Feng	D34/33

D932,727	S	*	10/2021	Ye	D34/33
D947,482	S	*	3/2022	Zheng	D34/33
2014/0027232	A1	*	1/2014	Lin	F16D 41/064 192/15
2016/0311667	A1	*	10/2016	Huang	B66D 1/58
2016/0311668	A1	*	10/2016	Huang	B66D 1/00
2018/0170725	A1	*	6/2018	August	G08C 17/02
2018/0201486	A1	*	7/2018	Huang	B66D 1/02

OTHER PUBLICATIONS

Come up Winch, announced 2022 [online], [site visited Jun. 28, 2022]. Avail from int, URL: <http://www.comeupwinch.com/products-view.php?ID=60> (Year: 2022).*

* cited by examiner

Primary Examiner — Cynthia Ramirez

Assistant Examiner — Tamara L Hahn

(74) *Attorney, Agent, or Firm* — Craft Chu PLLC;
Andrew W. Chu

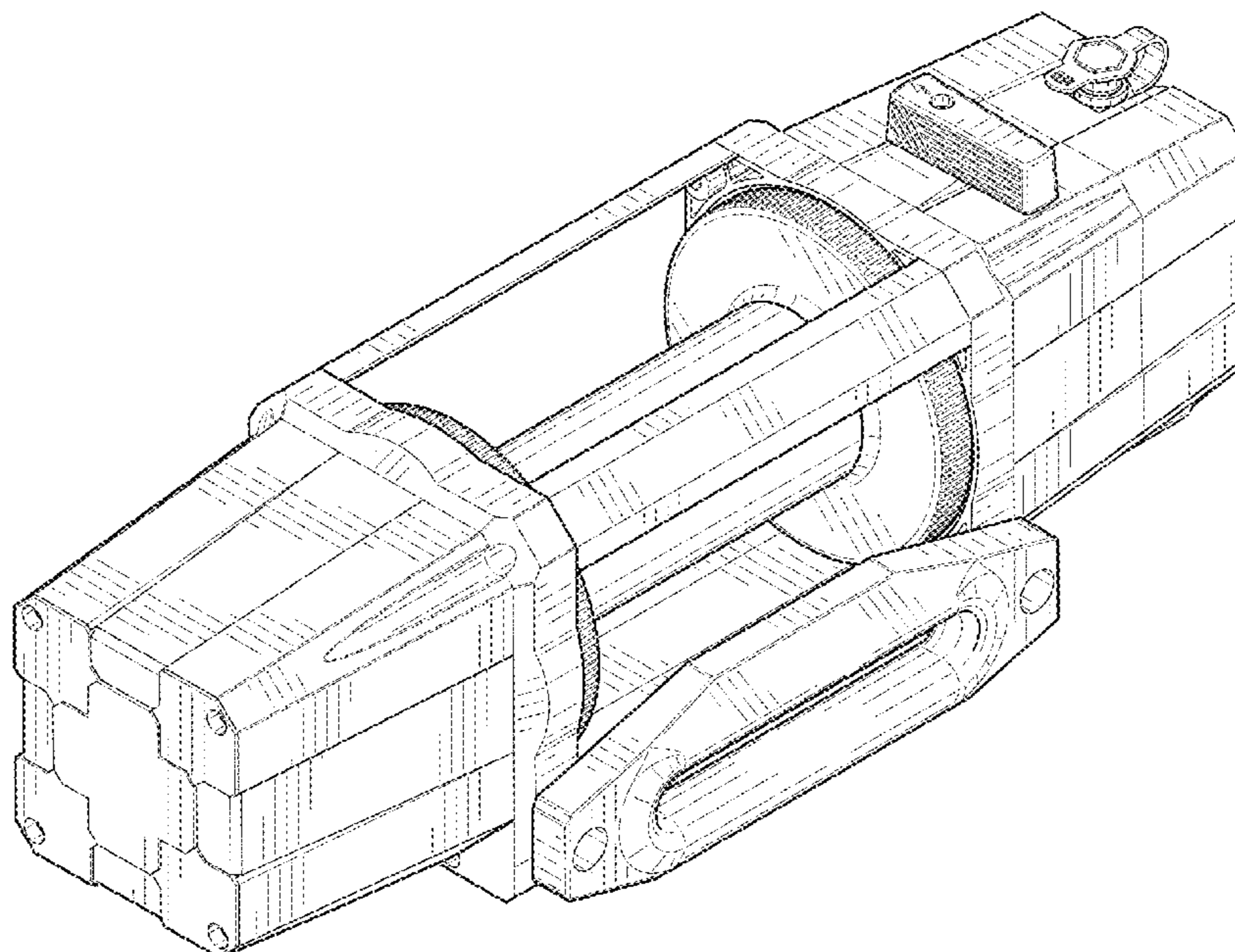
(57) **CLAIM**

The ornamental design for an electric winch, as shown and described.

DESCRIPTION

FIG. 1 is an upper perspective view of the electric winch showing my design;
FIG. 2 is a side elevation view thereof;
FIG. 3 is a top plan view thereof;
FIG. 4 is an opposite side elevation view thereof;
FIG. 5 is a bottom plan view thereof;
FIG. 6 is an end elevation view; and,
FIG. 7 is an opposite end elevation view.
The broken lines shown in the drawings depict portions of the electric winch that form no part of the claimed design.

1 Claim, 3 Drawing Sheets



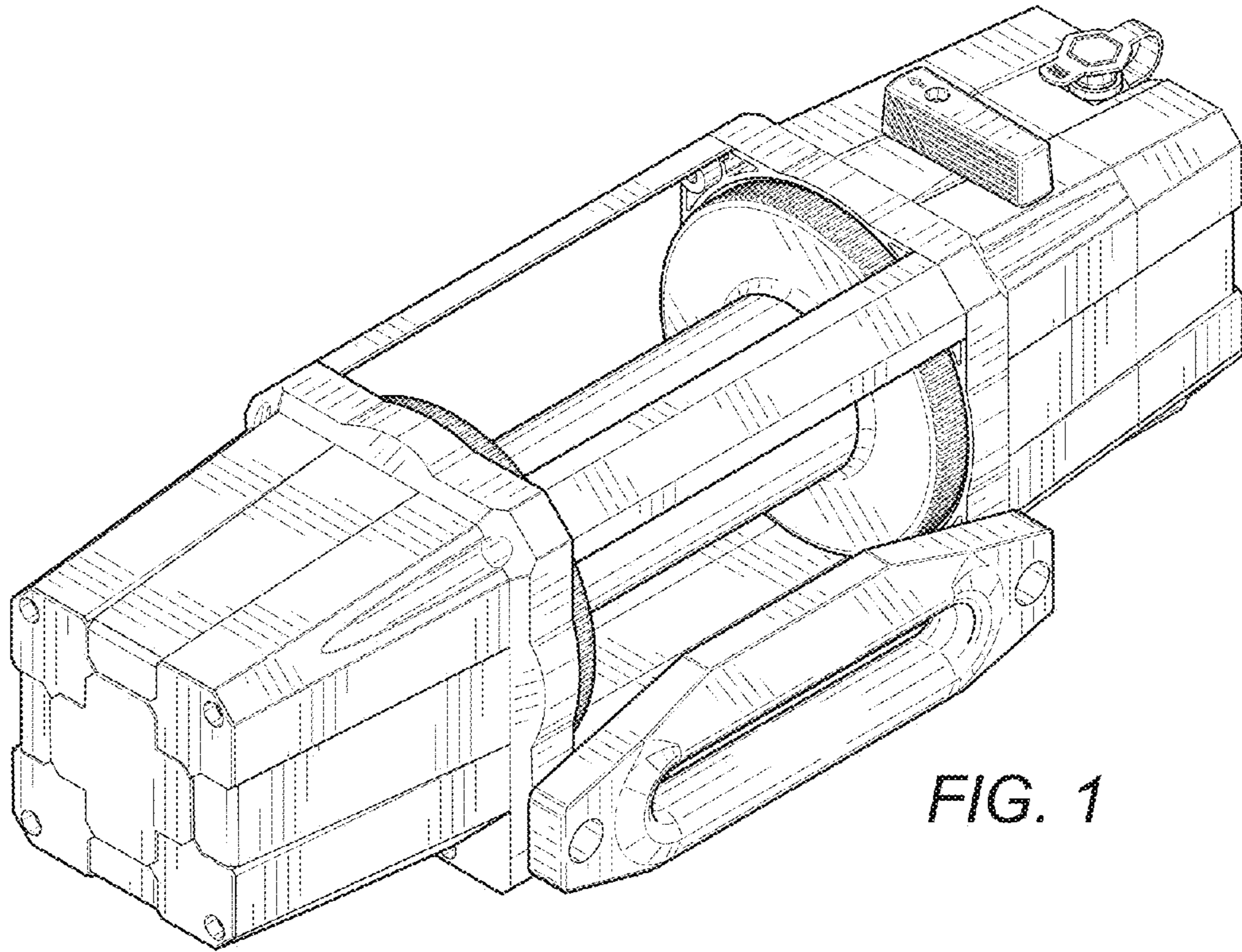


FIG. 1

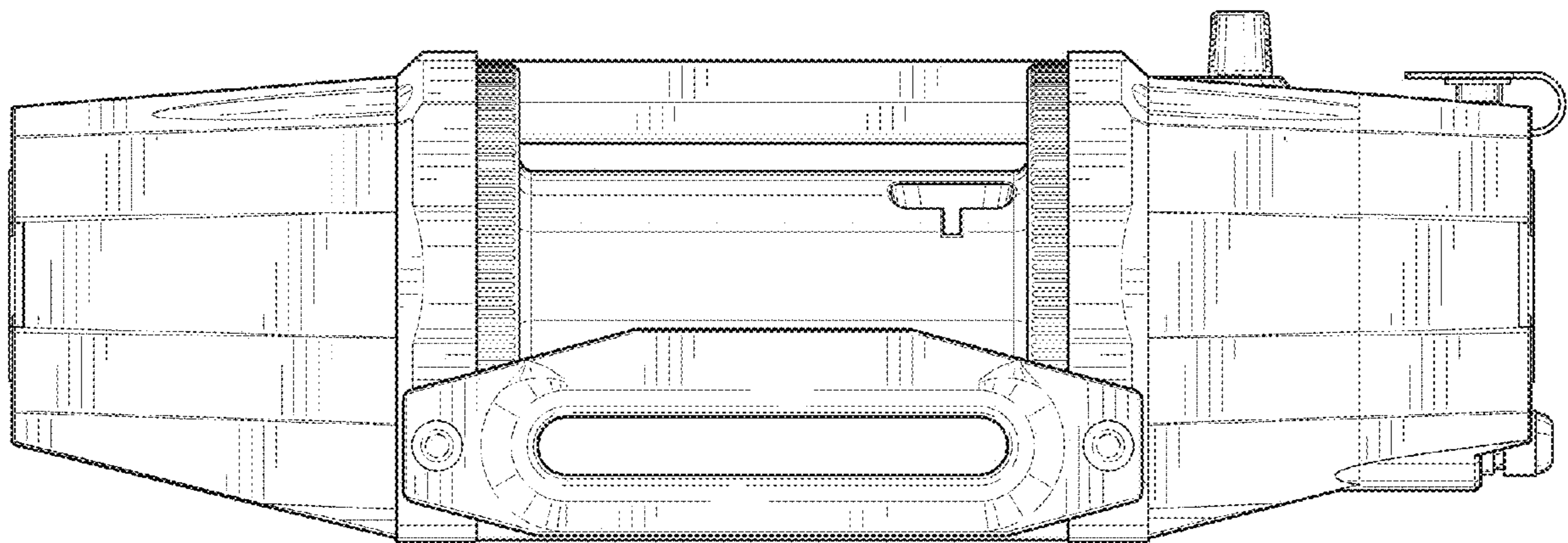


FIG. 2

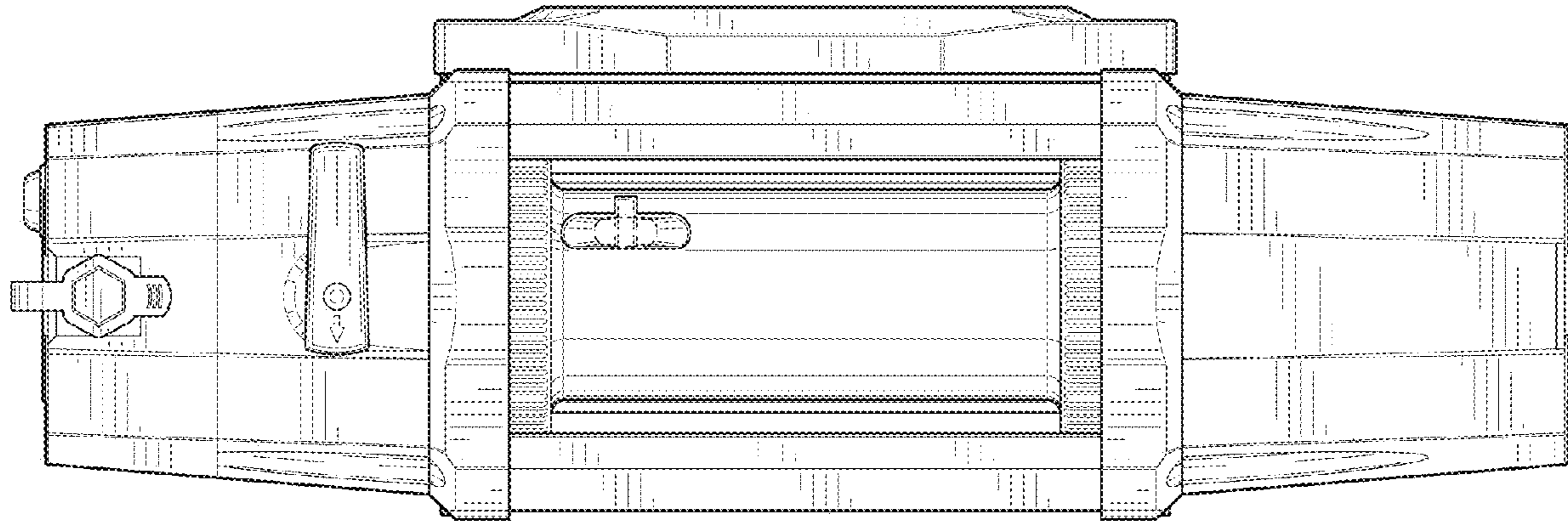


FIG. 3

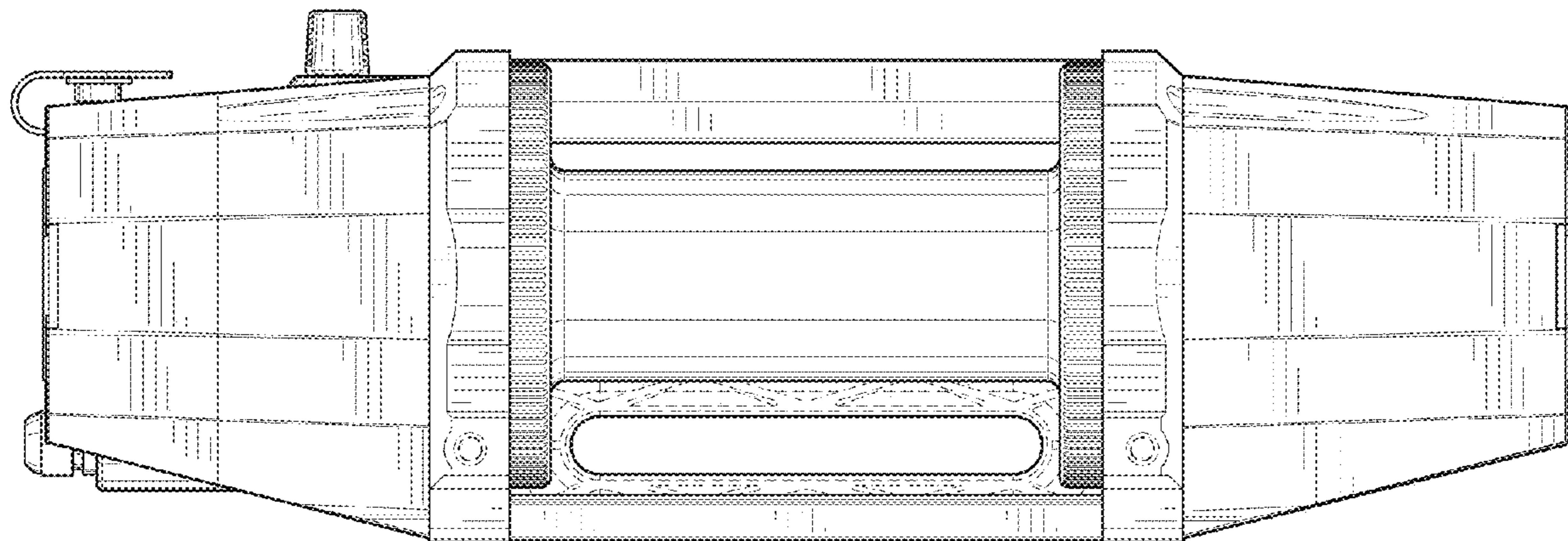


FIG. 4

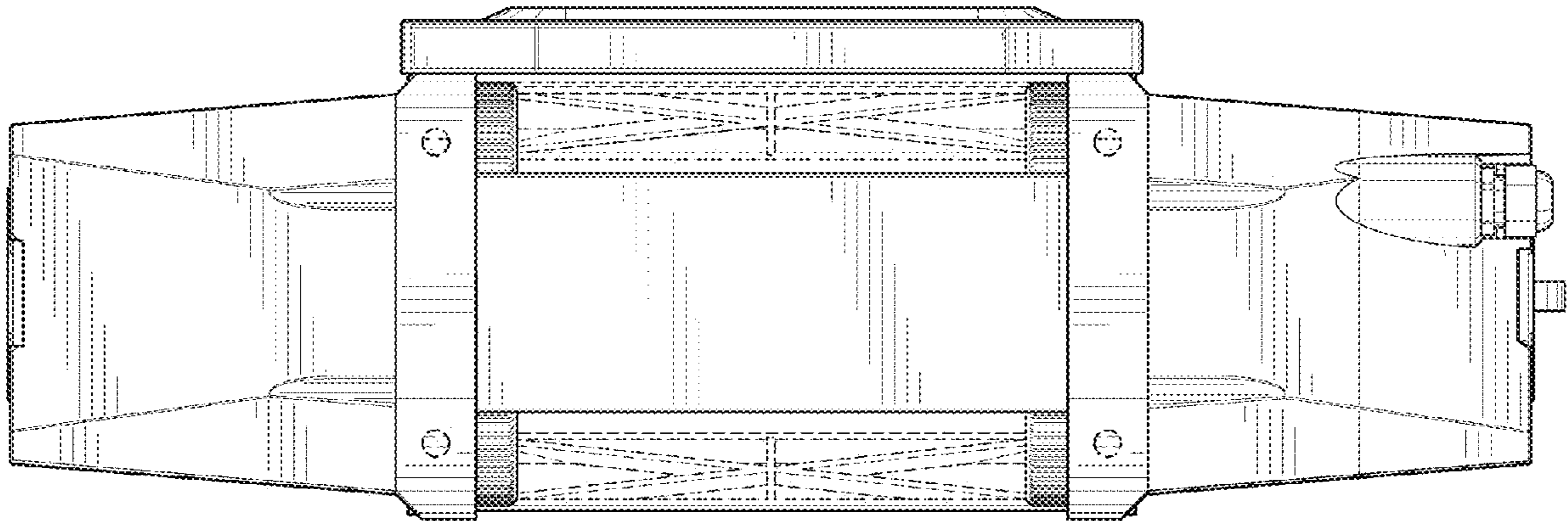


FIG. 5

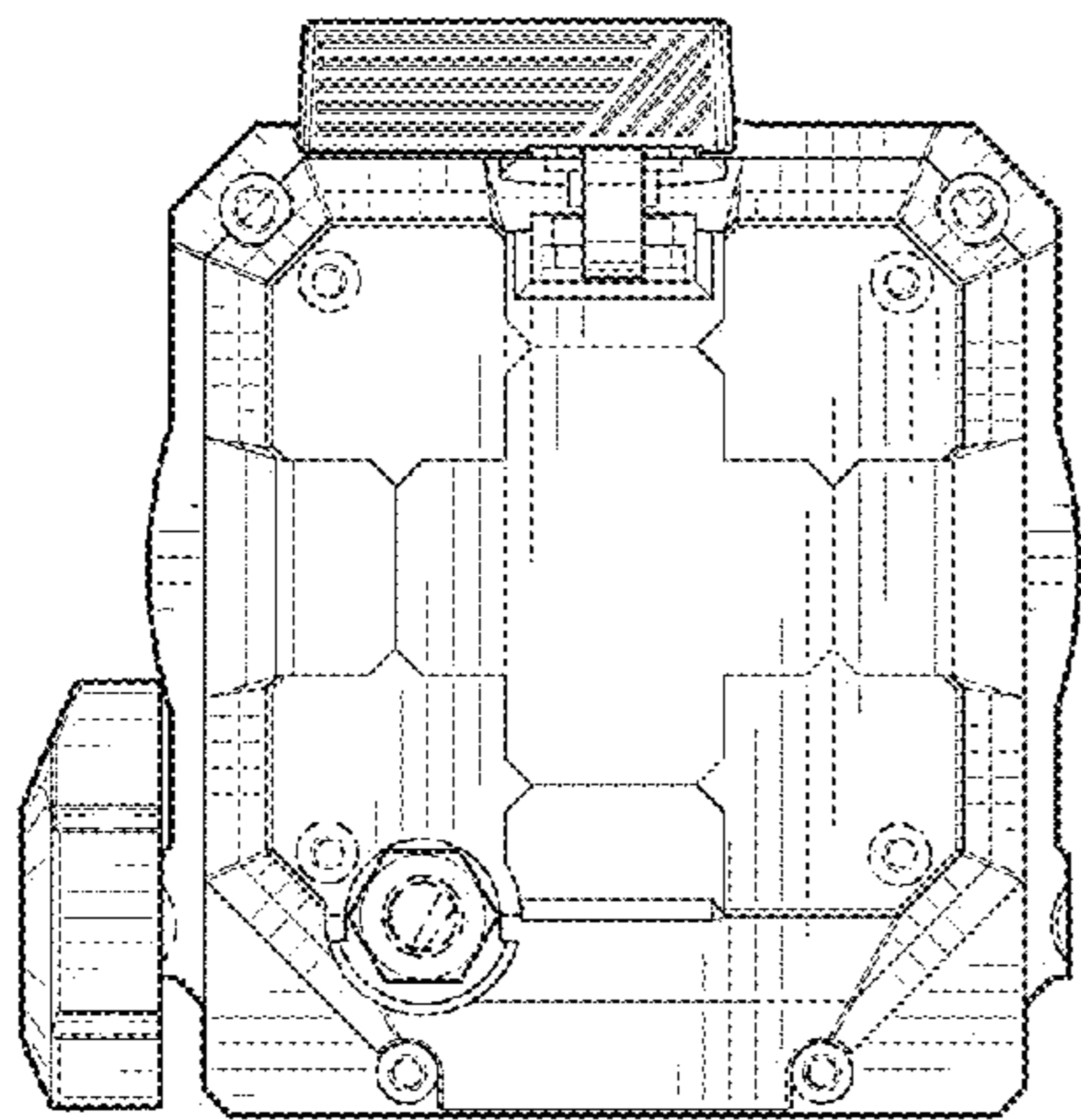


FIG. 6

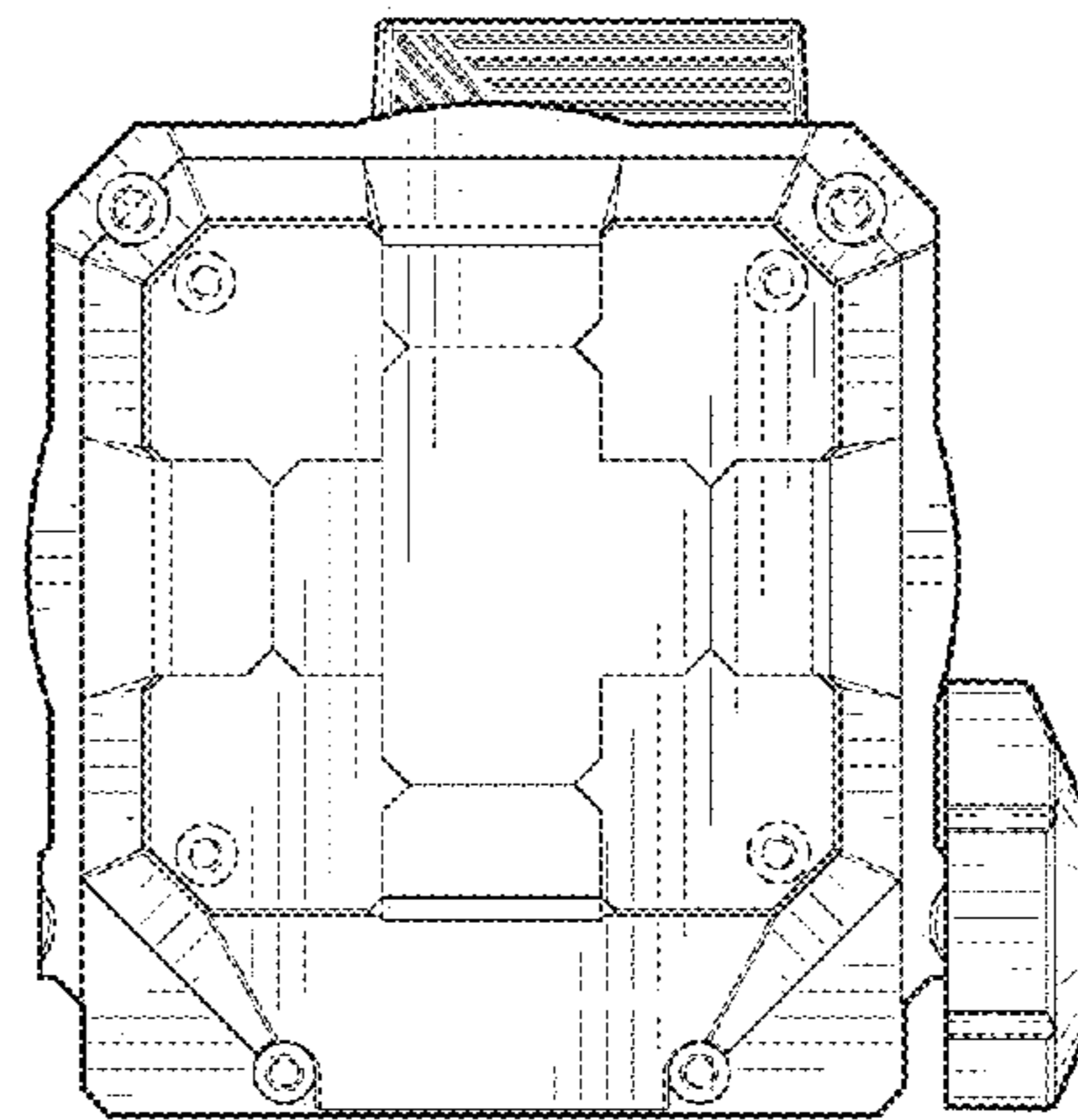


FIG. 7