



US00D982871S

(12) **United States Design Patent** (10) **Patent No.:** **US D982,871 S**  
**Adamek et al.** (45) **Date of Patent:** **\*\* Apr. 4, 2023**

(54) <b>HOIST</b>	D819,922 S * 6/2018 Bernard .....	D34/33
	D867,712 S * 11/2019 Huang .....	D34/33
(71) Applicant: <b>Konecranes Global Corporation,</b>	D874,782 S * 2/2020 Detering .....	D34/33
Hyvinkää (FI)	D930,317 S * 9/2021 Piispanen .....	D34/33
	D930,937 S * 9/2021 Piispanen .....	D34/33
(72) Inventors: <b>Jonas Adamek, Hyvinkää (FI); Tatu</b>	D931,570 S * 9/2021 Piispanen .....	D34/33
<b>Piispanen, Hyvinkää (FI)</b>	D932,728 S * 10/2021 Piispanen .....	D34/33
	11,358,841 B2 * 6/2022 Moll .....	B66D 3/24
(73) Assignee: <b>KONECRANES GLOBAL</b>	2008/0265810 A1 * 10/2008 Pan .....	B66D 3/20
<b>CORPORATION, Hyvinkää (FI)</b>		310/68 D
	2010/0006808 A1 * 1/2010 Weingartner .....	F16H 55/303
		254/372

(\*\*) Term: **15 Years**

(Continued)

(21) Appl. No.: **29/750,915**

OTHER PUBLICATIONS

(22) Filed: **Sep. 17, 2020**

Harrington, announced 2022 [online], [site visited Jun. 28, 2022].  
Avail from int, URL: <https://www.amchoist.com/shop/single-phase-2-ton-harrington-sner-hoist-hook-mount-20789> (Year: 2022).\*

(30) **Foreign Application Priority Data**

(Continued)

Mar. 20, 2020 (EM) ..... 007761986

(51) **LOC (14) Cl.** ..... **12-05**

(52) **U.S. Cl.**  
USPC ..... **D34/33**

(58) **Field of Classification Search**  
USPC ..... D34/28, 29, 30, 31, 33, 34, 35  
CPC ..... B66F 5/04; B66F 5/00; B66F 5/02; B66F  
3/42; B66F 3/44; B66F 1/06; B66F  
19/00; B66F 2700/05; B66D 1/12; B66D  
1/00; B66D 1/36; B66D 1/30; B66D  
1/18; B66D 2700/01  
See application file for complete search history.

*Primary Examiner* — Cynthia Ramirez  
*Assistant Examiner* — Tamara L Hahn  
(74) *Attorney, Agent, or Firm* — Leason Ellis LLP

(56) **References Cited**

U.S. PATENT DOCUMENTS

D411,364 S * 6/1999 Sasaki .....	D34/33
D540,003 S * 4/2007 Hagihara .....	D34/33
D674,163 S * 1/2013 Tarkiainen .....	D34/33
D677,853 S * 3/2013 Gans .....	D34/33
D705,515 S * 5/2014 Bernard .....	D34/33
D706,514 S * 6/2014 Weingartner .....	D34/33
D744,188 S * 11/2015 van der Zijde .....	D34/33

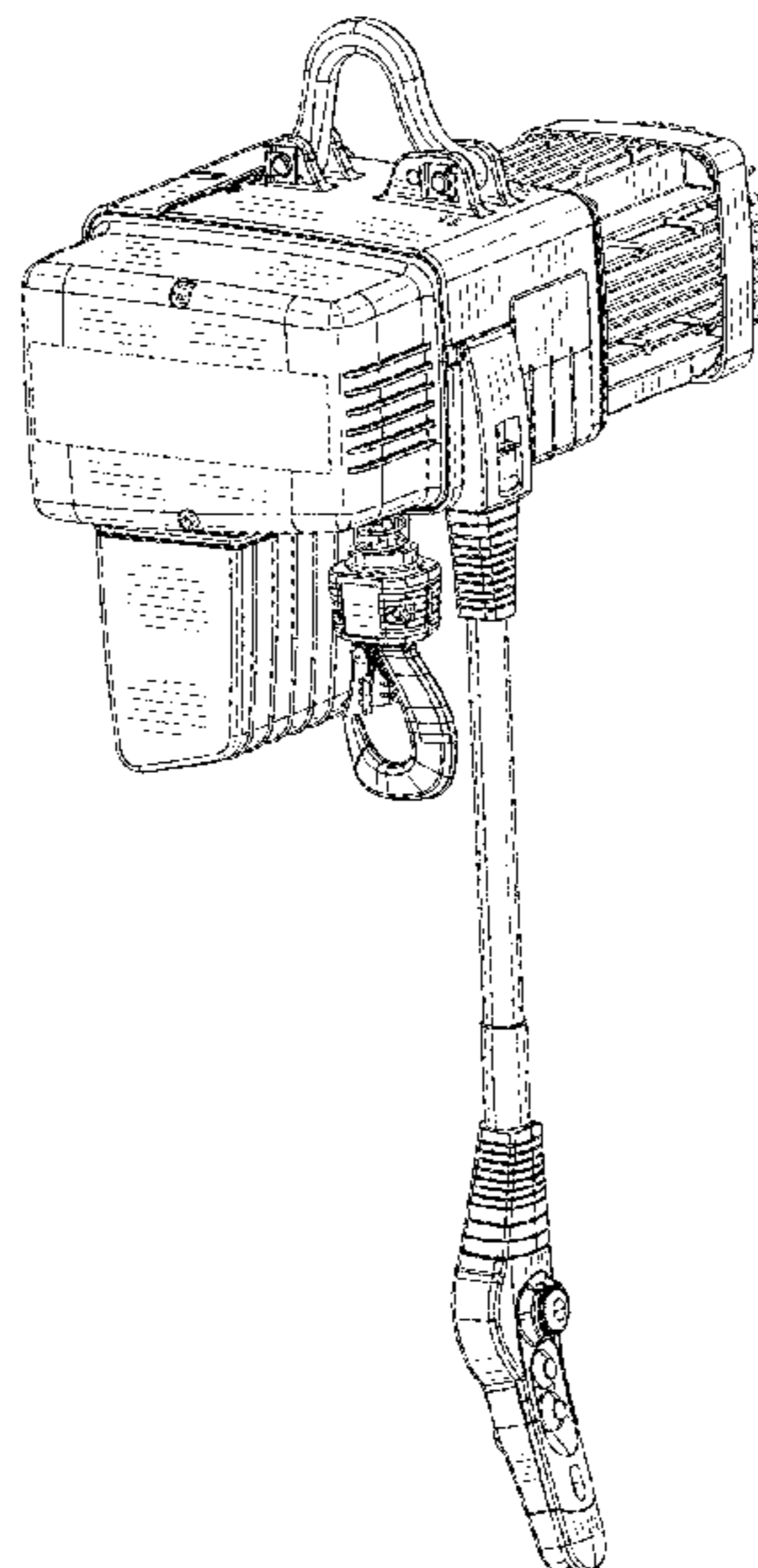
(57) **CLAIM**

The ornamental design for a hoist, as shown and described.

**DESCRIPTION**

FIG. 1 is a perspective view of our hoist according to our new design;  
FIG. 2 is a front view thereof;  
FIG. 3 is a rear view thereof;  
FIG. 4 is a right-side view thereof;  
FIG. 5 is a left-side view thereof;  
FIG. 6 is a top plan view thereof; and,  
FIG. 7 is a bottom plan view thereof.  
The broken lines shown in the drawings depict portions of the hoist that form no part of the claimed design.

**1 Claim, 7 Drawing Sheets**



(56)

**References Cited**

U.S. PATENT DOCUMENTS

2012/0187356 A1\* 7/2012 Lawson ..... B66D 3/26  
29/525.08  
2013/0181177 A1\* 7/2013 Moll ..... B66D 1/36  
254/338  
2013/0221809 A1\* 8/2013 Hiroshima ..... H02K 11/0094  
310/83  
2015/0090946 A1\* 4/2015 Schwaiger ..... B66D 3/20  
254/362  
2018/0305189 A1\* 10/2018 Uebel ..... B66D 5/34  
2022/0363524 A1\* 11/2022 Kasai ..... B66D 3/20

OTHER PUBLICATIONS

Vestil, announced 2022 [online], [site visited Jun. 28, 2022]. Avail  
from int, URL: [https://www.homedepot.com/p/Vestil-250-lbs-Capacity-Variable-Speed-Elect-Hoist-VS-ECH-2-1PH/313594936?](https://www.homedepot.com/p/Vestil-250-lbs-Capacity-Variable-Speed-Elect-Hoist-VS-ECH-2-1PH/313594936?source=shoppingads&locale=en-US)  
source=shoppingads&locale=en-US (Year: 2022).\*

Prowinch, announced May 2019 [online], [site visited Jun. 28,  
2022]. Avail from int, URL: [https://www.amazon.com/Prowinch-Electric-Wireless-Control-Capacity/dp/B09B1CSDGC/ref=sr\\_1\\_14](https://www.amazon.com/Prowinch-Electric-Wireless-Control-Capacity/dp/B09B1CSDGC/ref=sr_1_14)  
14 (Year: 2019).\*

\* cited by examiner

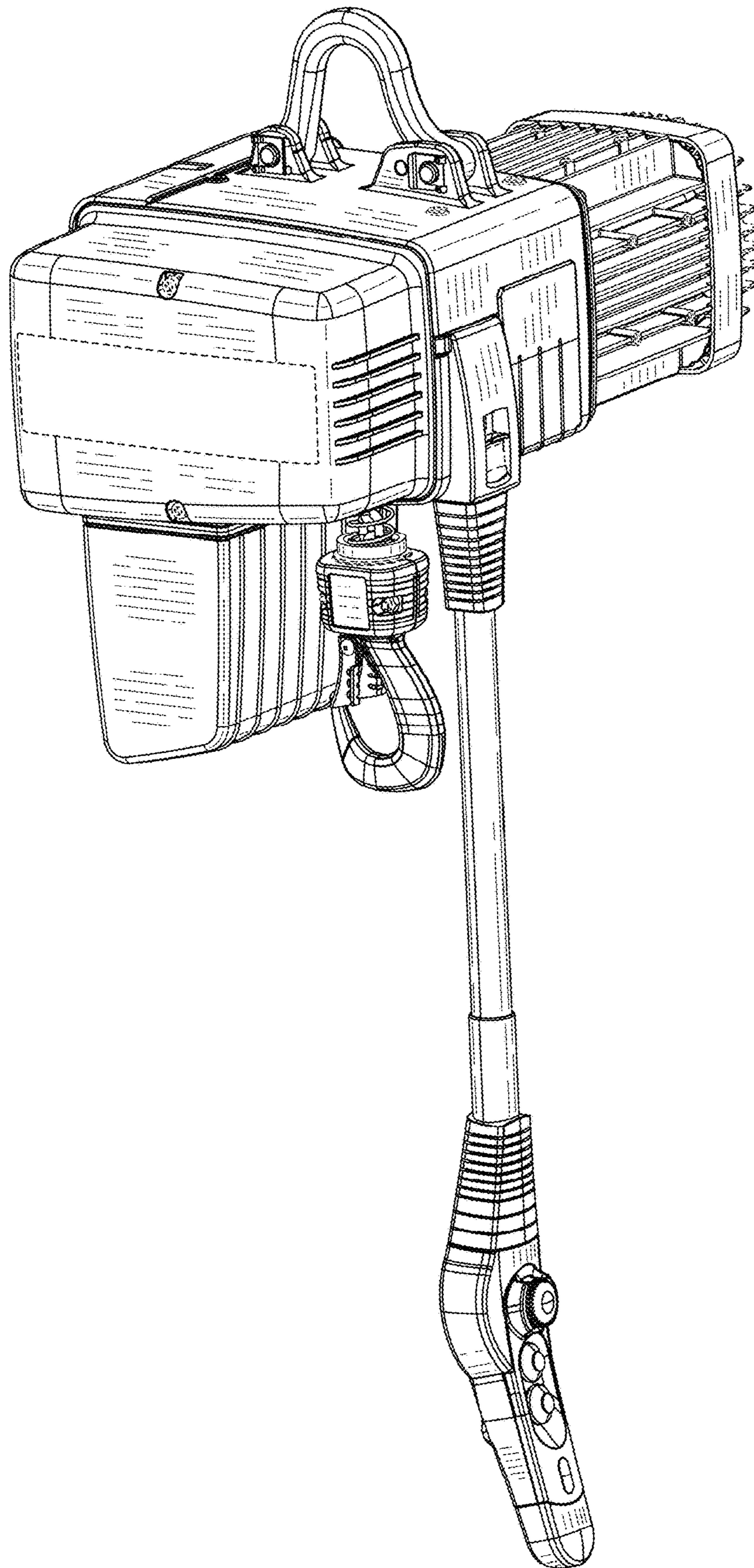


FIG. 1

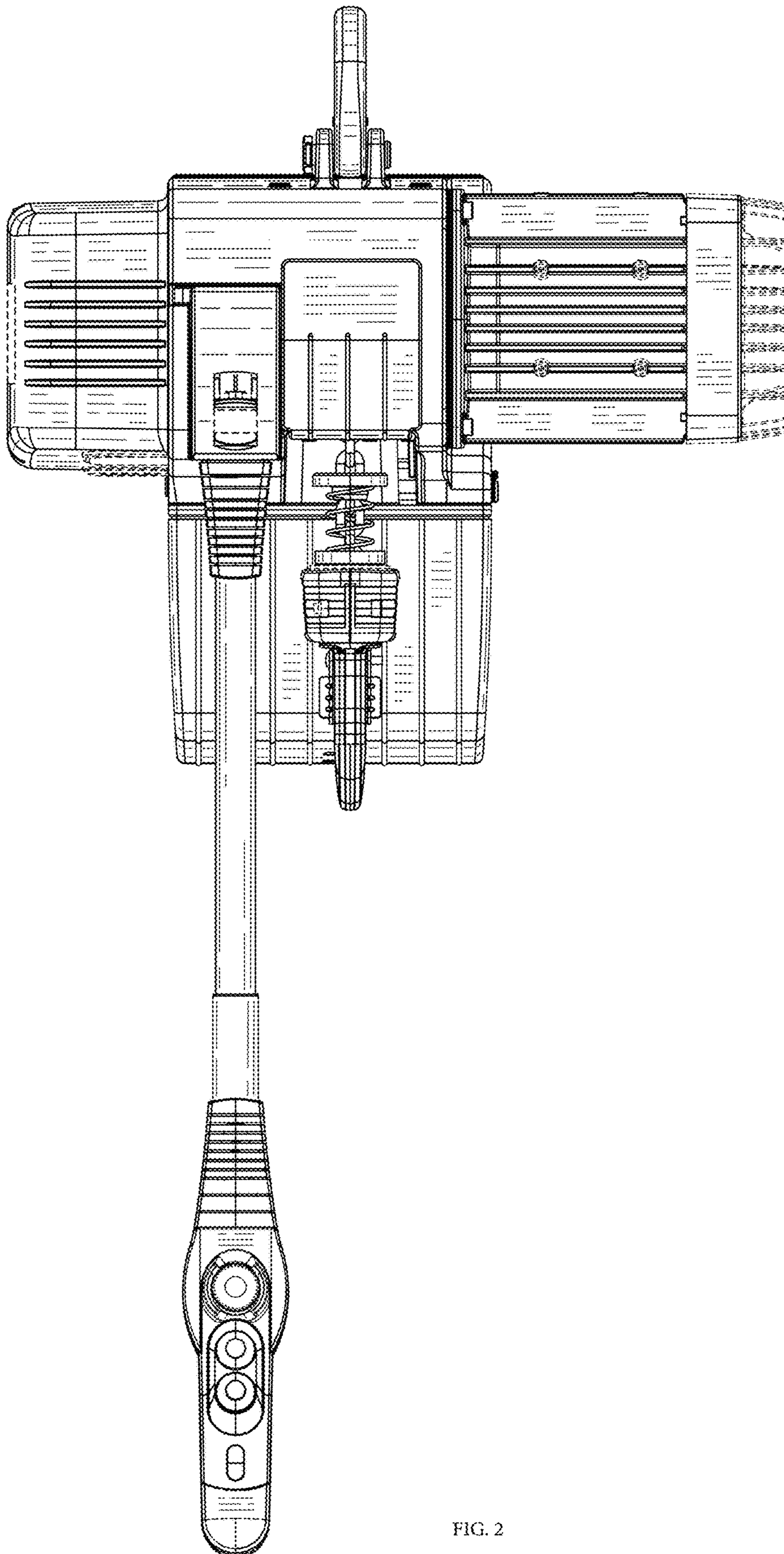


FIG. 2

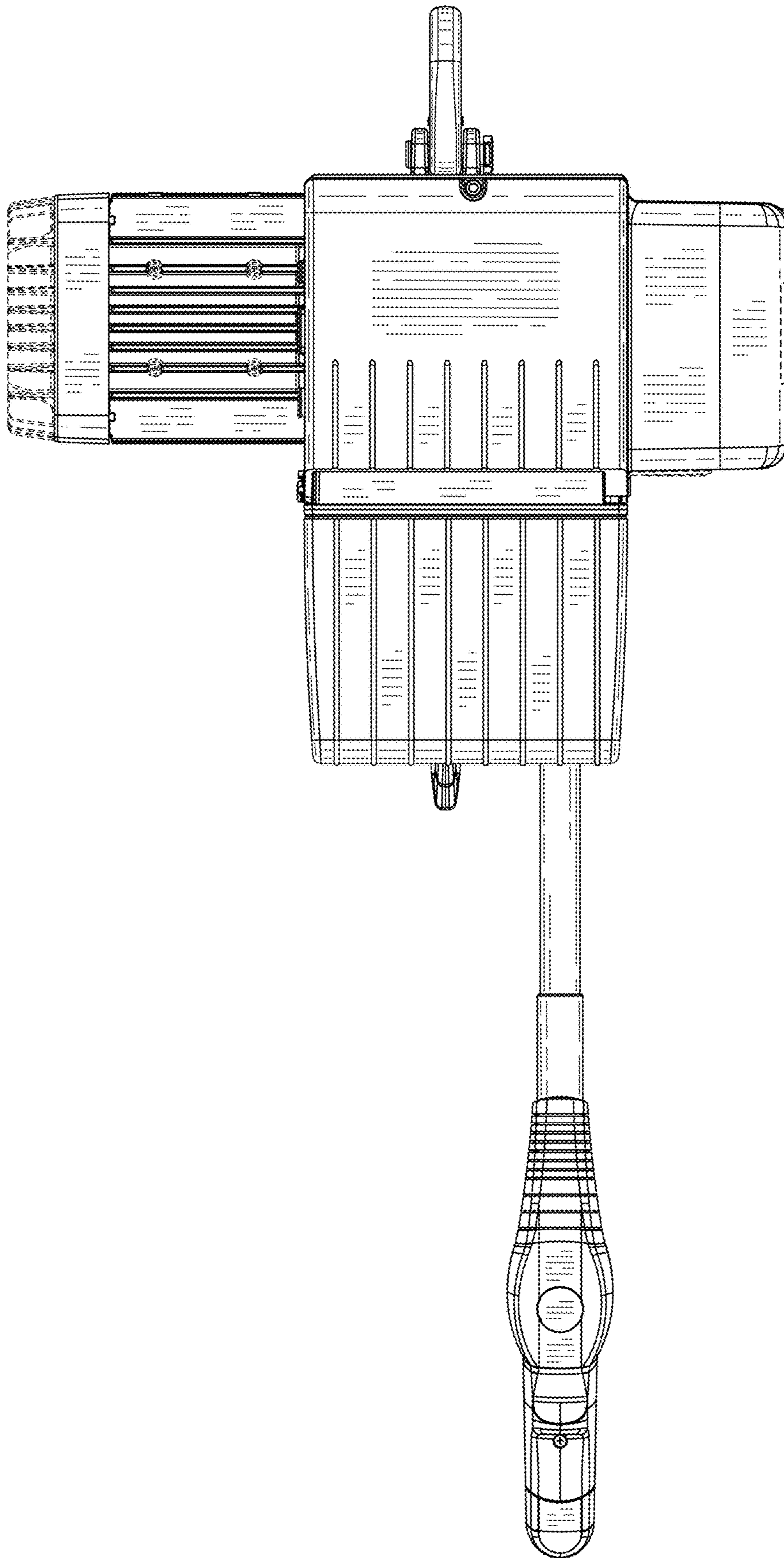


FIG. 3

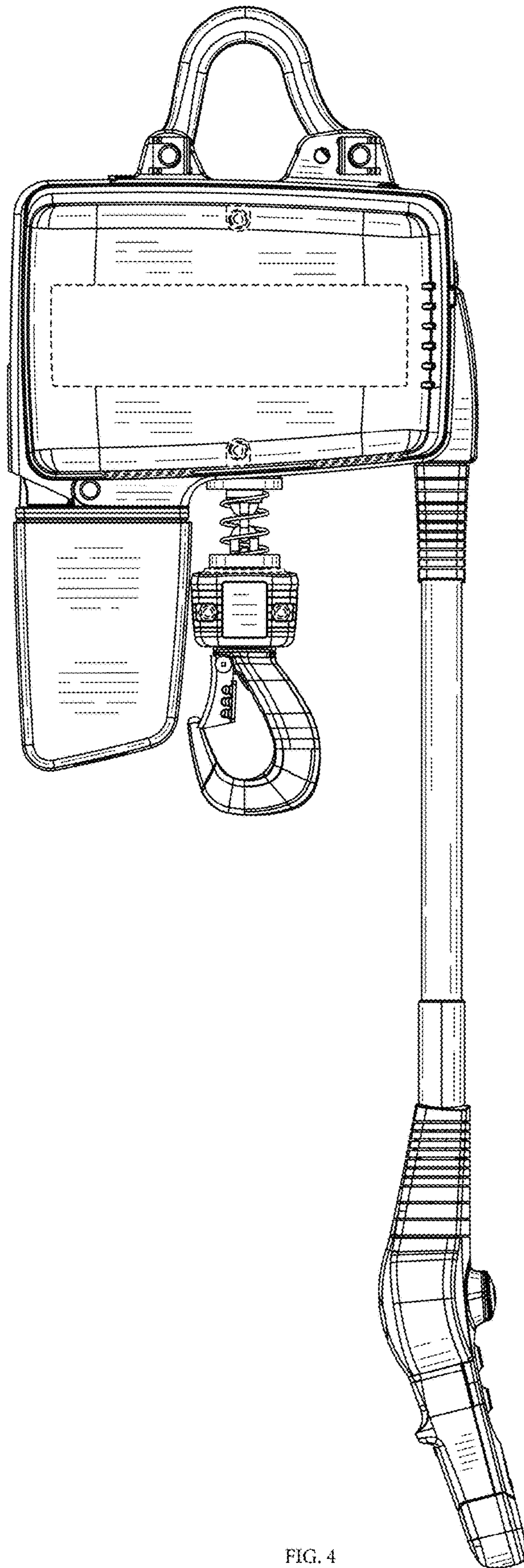


FIG. 4

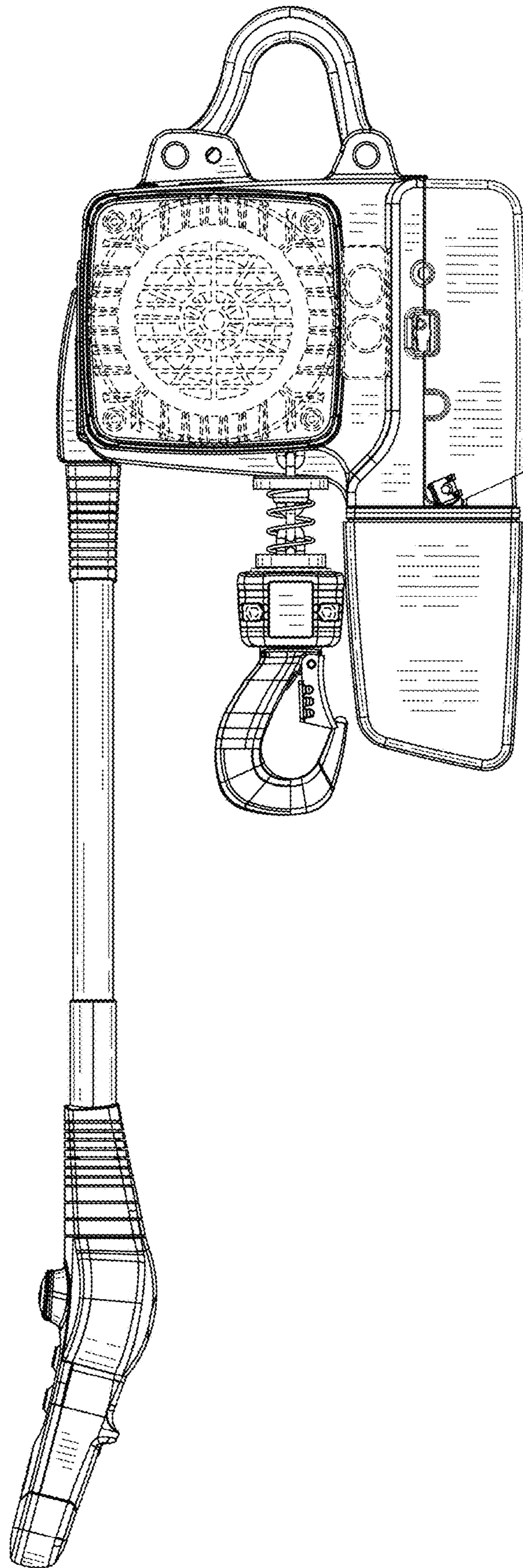


FIG. 5

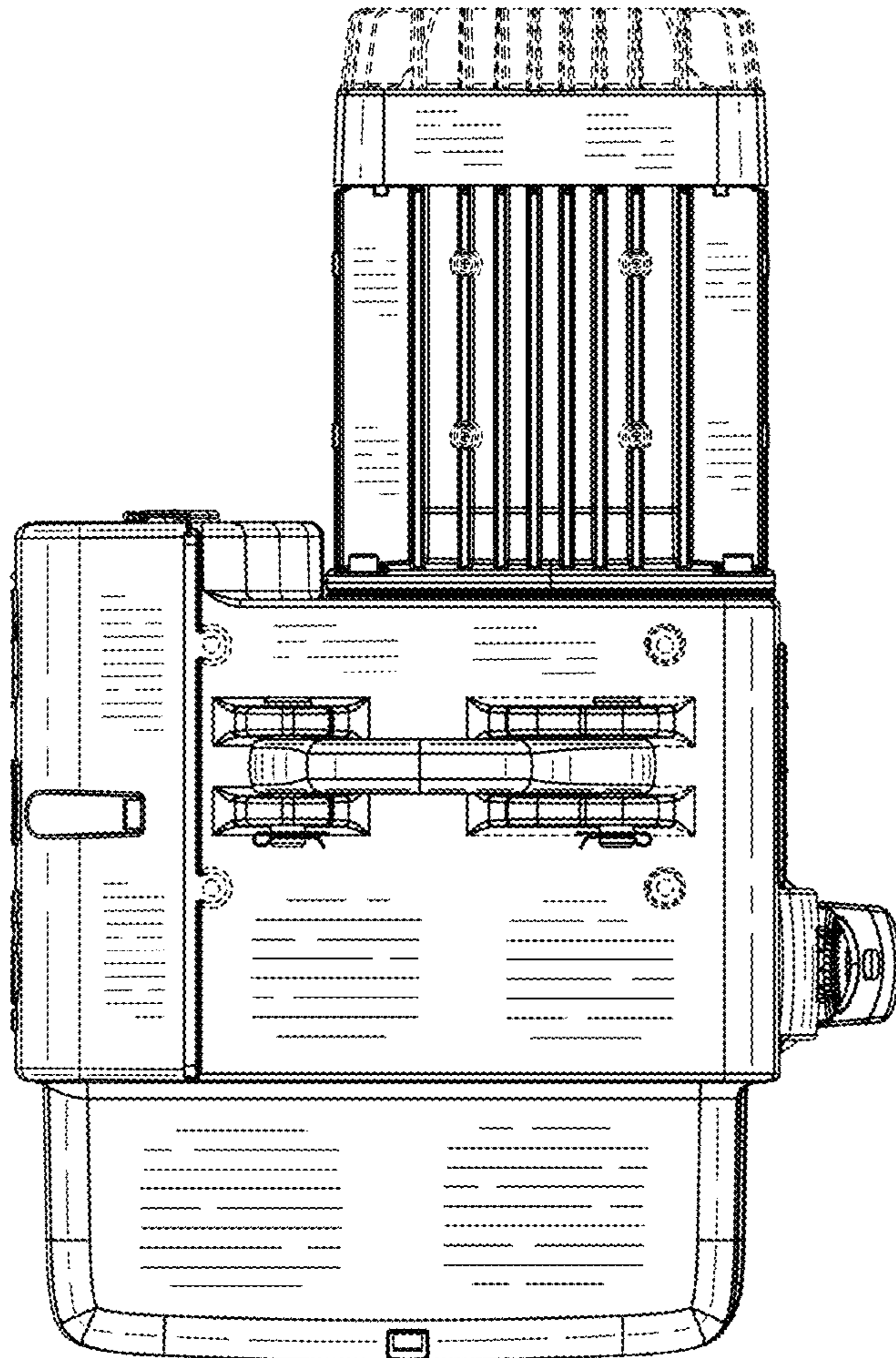


FIG. 6



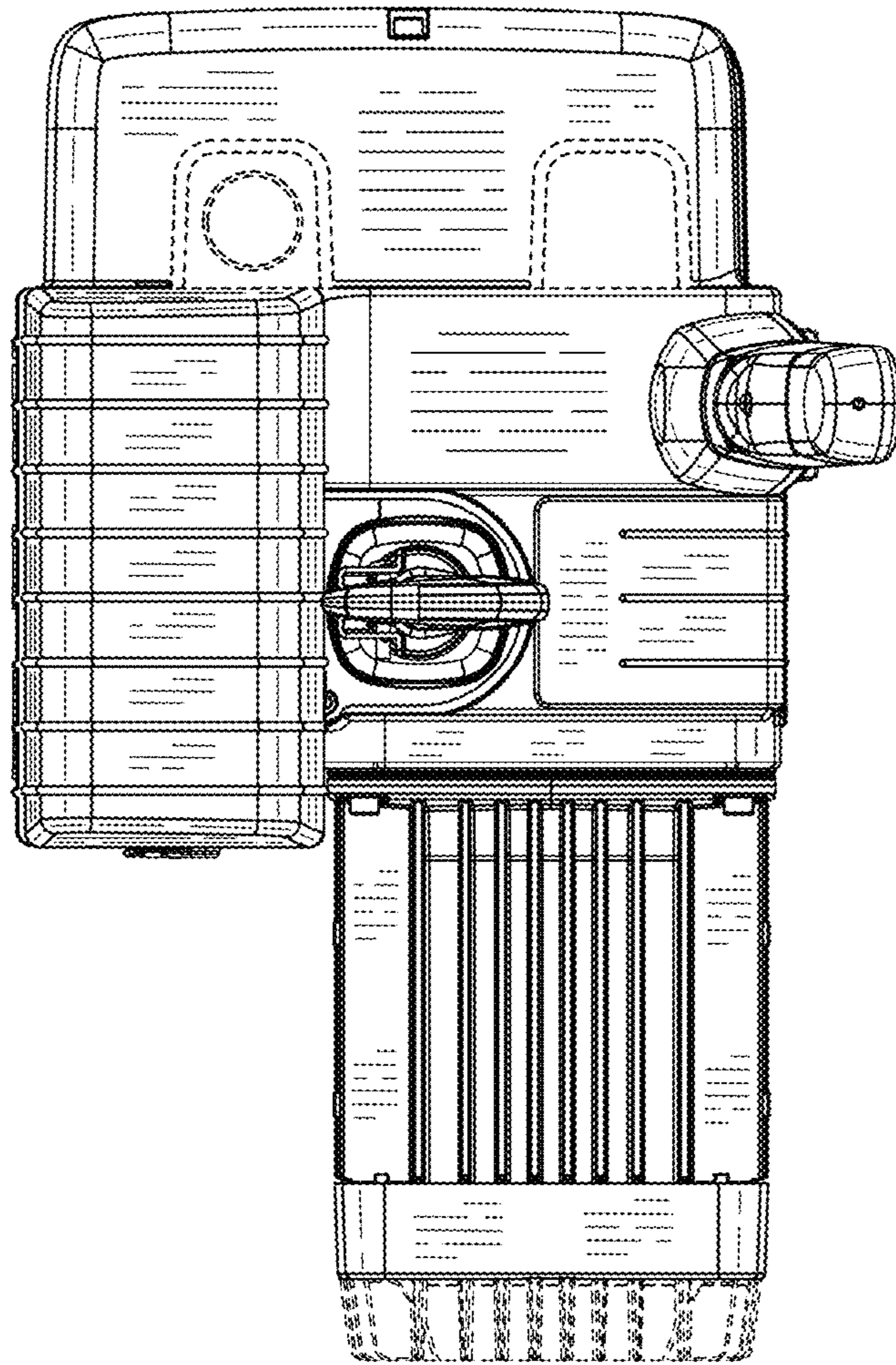


FIG. 7