



US00D982870S

(12) **United States Design Patent** (10) **Patent No.:** **US D982,870 S**
Tseng (45) **Date of Patent:** **** Apr. 4, 2023**

(54) **BAR CART**

(71) Applicant: **HAUSFAME INC.**, Chicago, IL (US)

(72) Inventor: **Ryan Tseng**, Chicago, IL (US)

(73) Assignee: **HAUSFAME INC.**, Chicago, IL (US)

(**) Term: **15 Years**

(21) Appl. No.: **29/862,307**

(22) Filed: **Dec. 8, 2022**

(51) **LOC (14) Cl.** **12-02**

(52) **U.S. Cl.**
USPC **D34/21**

(58) **Field of Classification Search**
USPC D34/12, 13, 14, 15, 16, 17, 18, 19, 20,
D34/21, 22, 23, 24, 25, 26, 27; D6/675.1
CPC .. B62B 3/00; B62B 3/02; B62B 3/002; B62B
3/04; B62B 3/001; B62B 3/022; B62B
3/027

See application file for complete search history.

(56) **References Cited**

U.S. PATENT DOCUMENTS

D339,441 S *	9/1993	Marchant	D34/21
D354,382 S *	1/1995	Mogensen	D34/21
D424,267 S *	5/2000	Lin	D34/12
D430,964 S *	9/2000	Liaw	D6/677.1
D500,575 S *	1/2005	Lucas	D34/12
D571,972 S *	6/2008	Galati, Jr.	D34/21
D790,147 S *	6/2017	Sherman	D34/27
D802,867 S *	11/2017	Sherman	D34/27
D817,583 S	5/2018	Reyes et al.		
D903,966 S	12/2020	Li		

OTHER PUBLICATIONS

1stDigs.com, 1940 round Rattan and Mahogany Bar Cart with Wood Wheels, retrieved Dec. 27, 2022, <https://www.1stdibs.com/>

furniture/tables/bar-carts/1940s-round-rattan-mahogany-bar-cart-wood-wheels/id-f_757997/ (Year: 2022).*
wayfair.com, Draven Bar Cart, retrieved Dec. 27, 2022, <https://www.wayfair.com/furniture/pdp/etta-avenue-draven-bar-cart-w005406051.html> (Year: 2022).*
lightingreimagined.com, Brays Bar Cart, retrieved Dec. 27, 2022, https://lightingreimagined.com/xologic-imports/furniture/wine-cabinets/brays-bar-cart-artieriors-home-dw4001-3mln2/?utm_source=connexity&utm_term=16721457614513518028010080301008005&cnxclid=16721457614513518028010080301008005 (Year: 2022).*

(Continued)

Primary Examiner — Cynthia Ramirez

(74) *Attorney, Agent, or Firm* — Daniel M. Cohn;
Howard M. Cohn

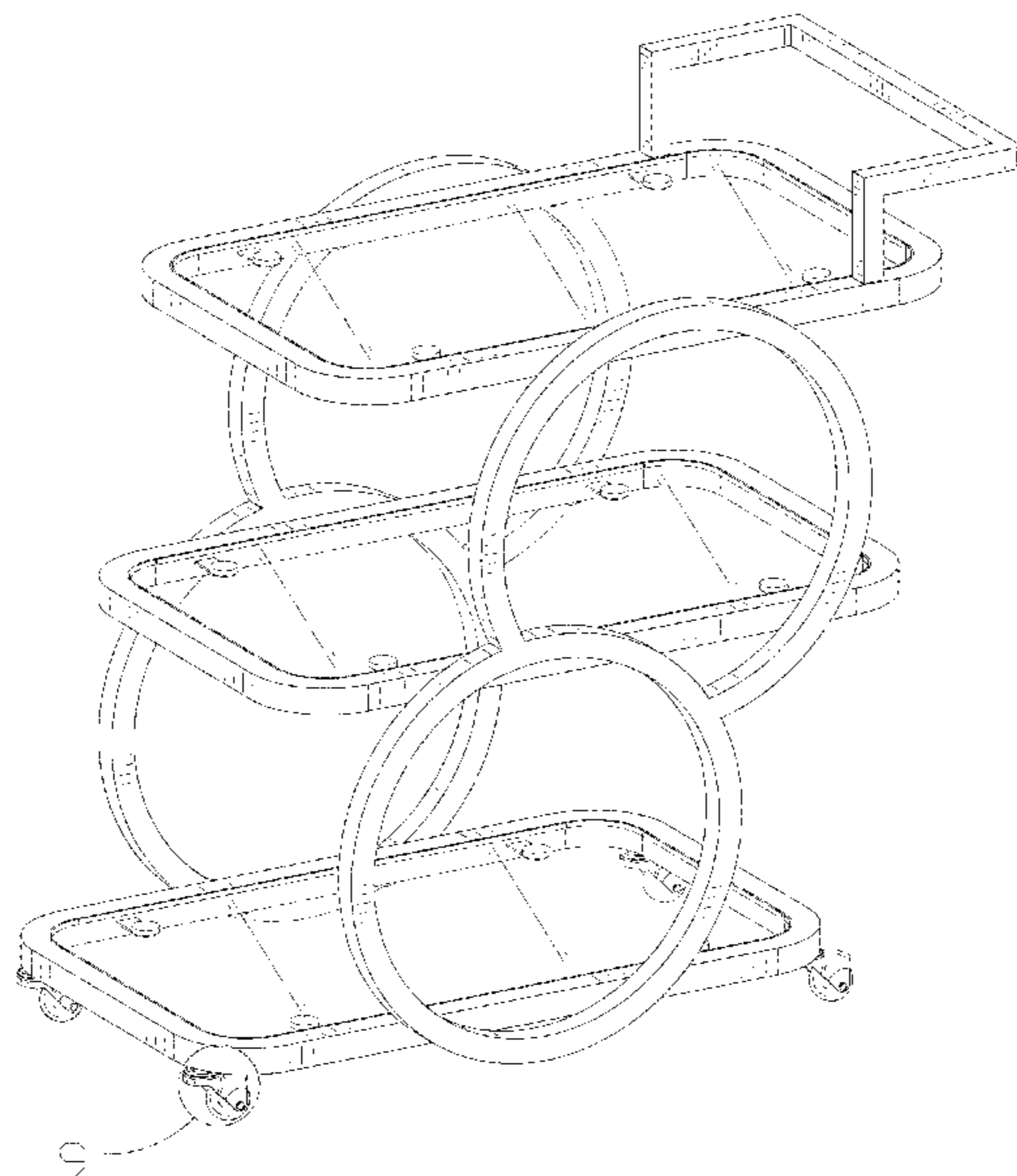
(57) **CLAIM**

The ornamental design for a bar cart, as shown and described.

DESCRIPTION

FIG. 1 is a perspective view of a bar cart showing my new design;
FIG. 2 is another perspective view thereof;
FIG. 3 is a front elevational view thereof;
FIG. 4 is a rear elevational view thereof;
FIG. 5 is a left side elevational view thereof;
FIG. 6 is a right side elevational view thereof;
FIG. 7 is a top plan view thereof;
FIG. 8 is a bottom plan view thereof;
FIG. 9 is an enlarged view of portion 9 shown in FIG. 1;
FIG. 10 is an enlarged view of portion 10 shown in FIG. 2;
and,
FIG. 11 is an enlarged view of portion 11 shown in FIG. 5.
The dash-dash broken lines in the drawings depict portions of the bar cart that form no part of the claimed design. The dot-dash broken lines represent boundaries of the enlarged portions and form no part of the claimed design.

1 Claim, 11 Drawing Sheets



(56)

References Cited

OTHER PUBLICATIONS

thohomedepot.com, Golden 3-tier metal and glass rolling bar cart or serving cart, retrieved Dec. 27, 2022, <https://www.homedepot.com/pep/Golden-3-Tier-Metal-and-Glass-Rolling-Bar-Cart-or-Serving-Cart-with-Glass-Top-KI-GoCart/322208262> (Year: 2022).*

amazon.com, Sauder Coral Cape Bar Cart, retrieved Dec. 27, 2022, <https://www.amazon.com/Sauder-424014-Coral-Cape-Satin/dp/B083TG6WMF> (Year: 2022).*

* cited by examiner

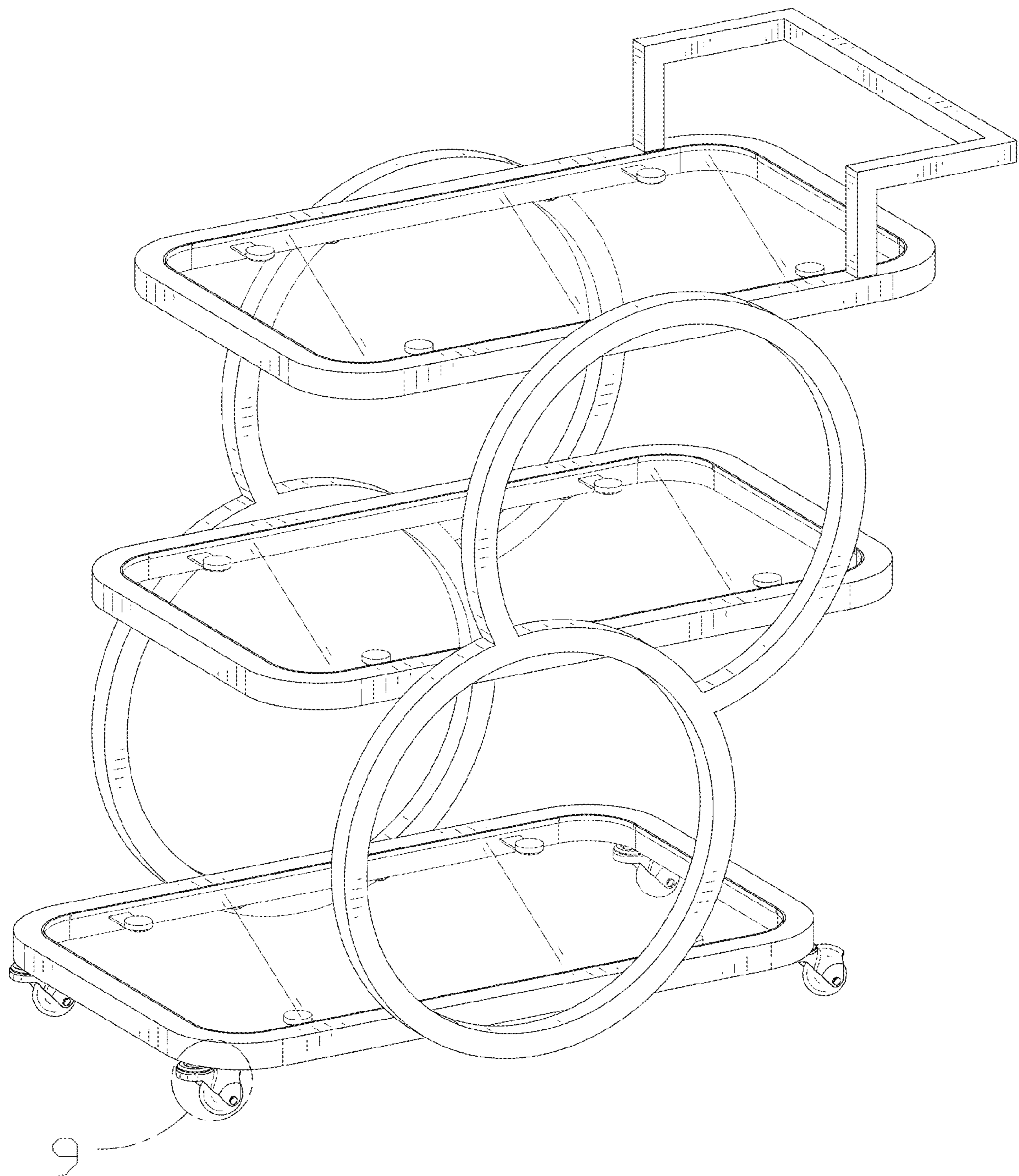


FIG. 1

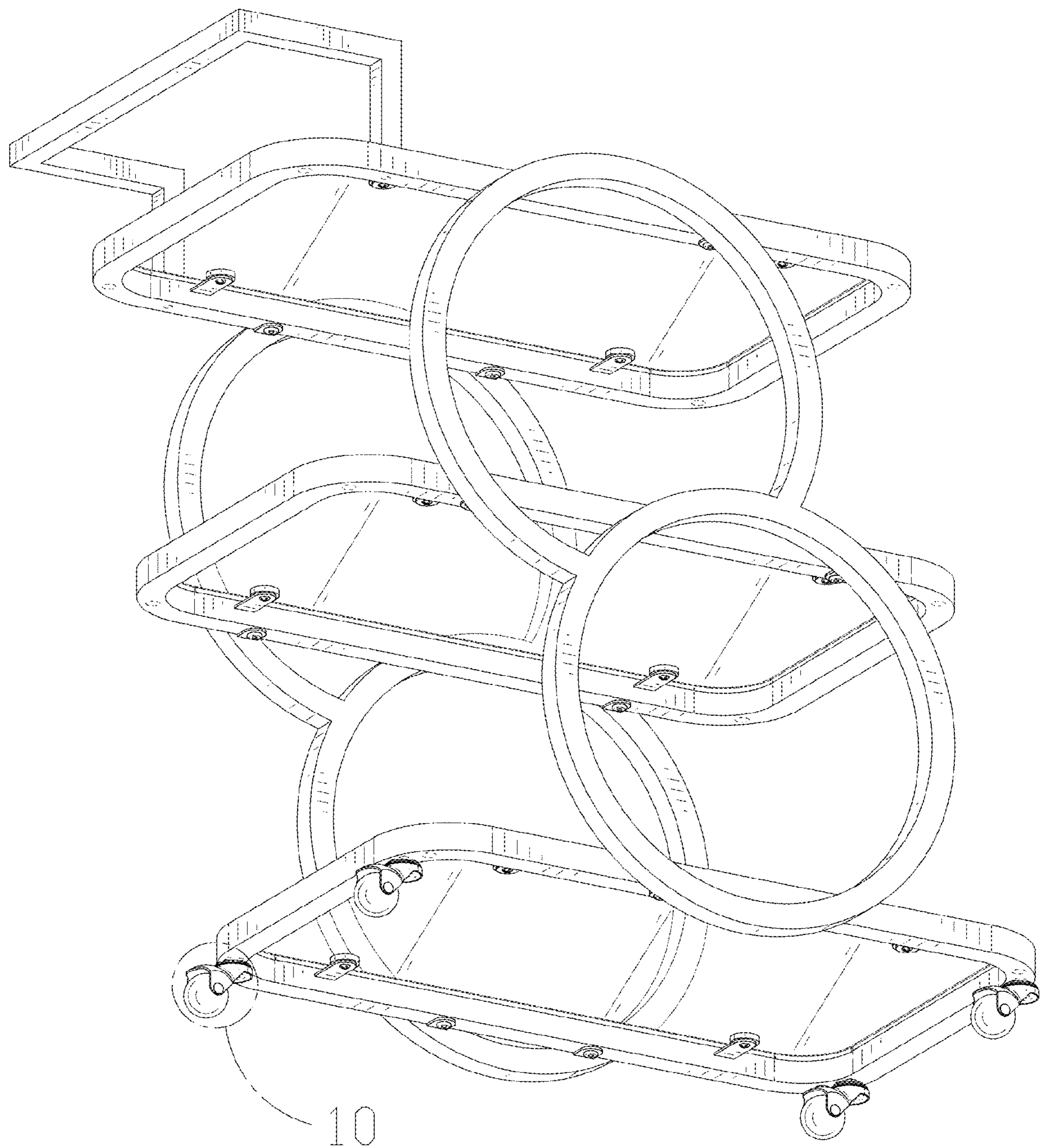


FIG. 2

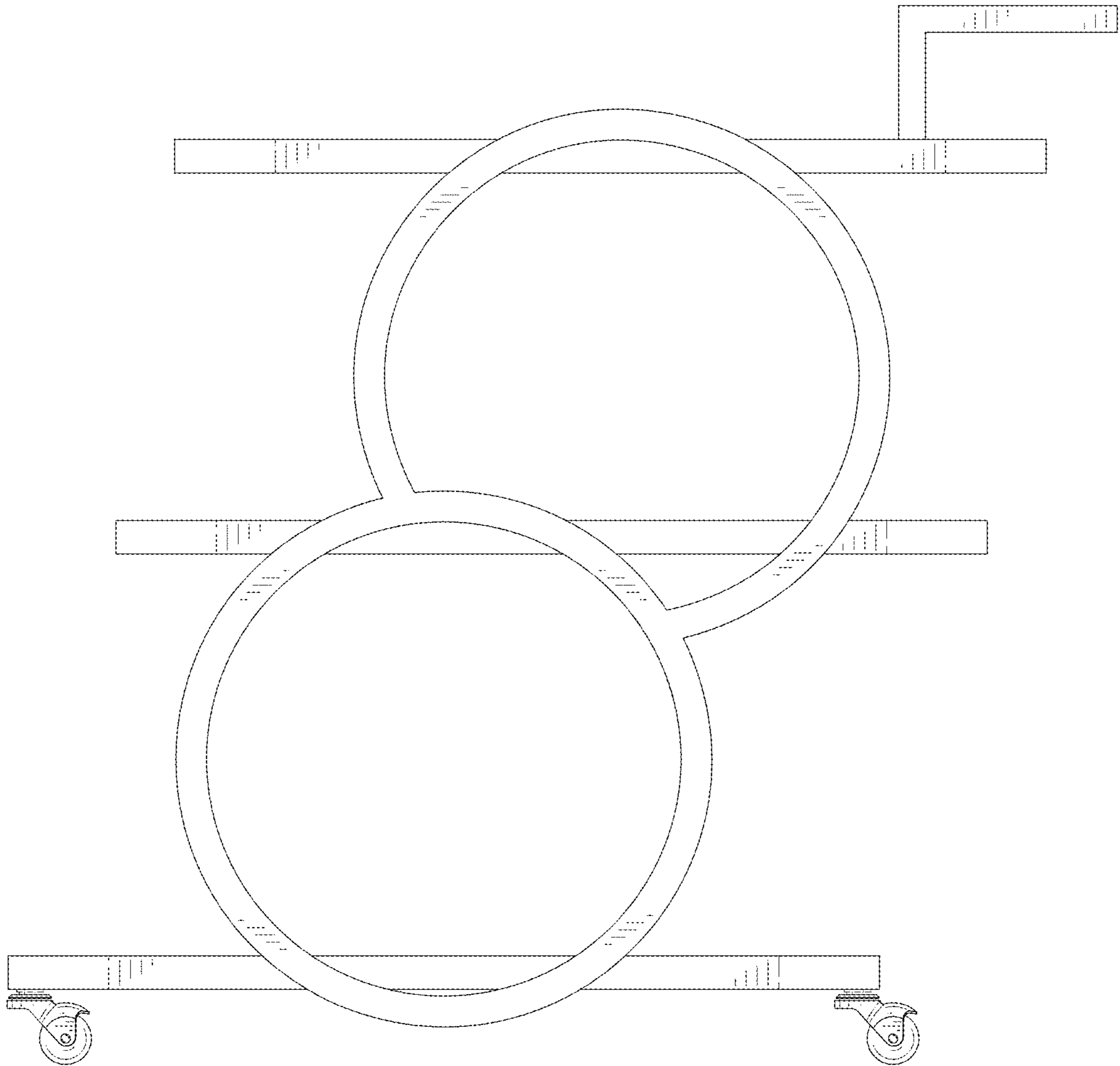


FIG. 3

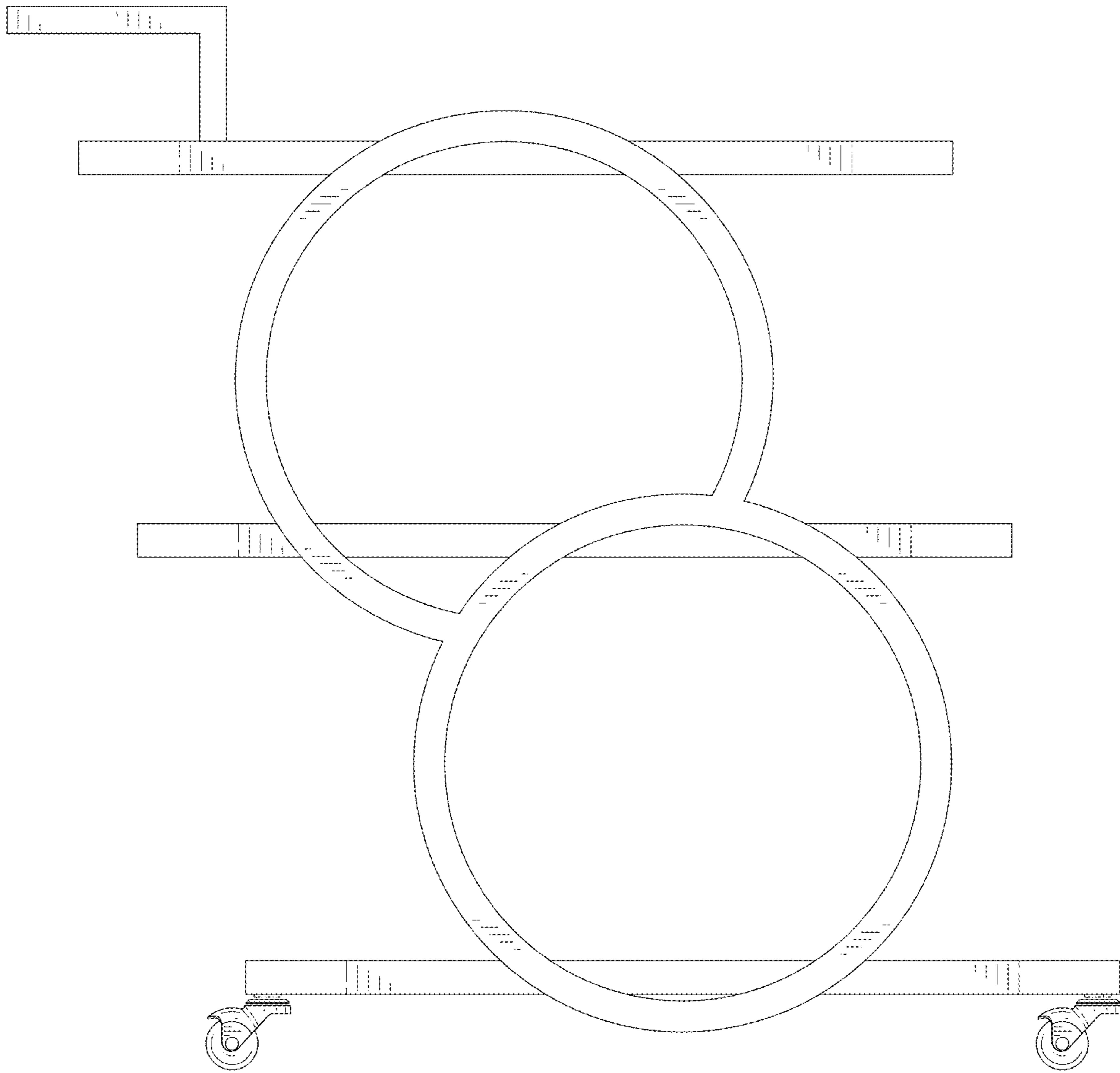


FIG. 4

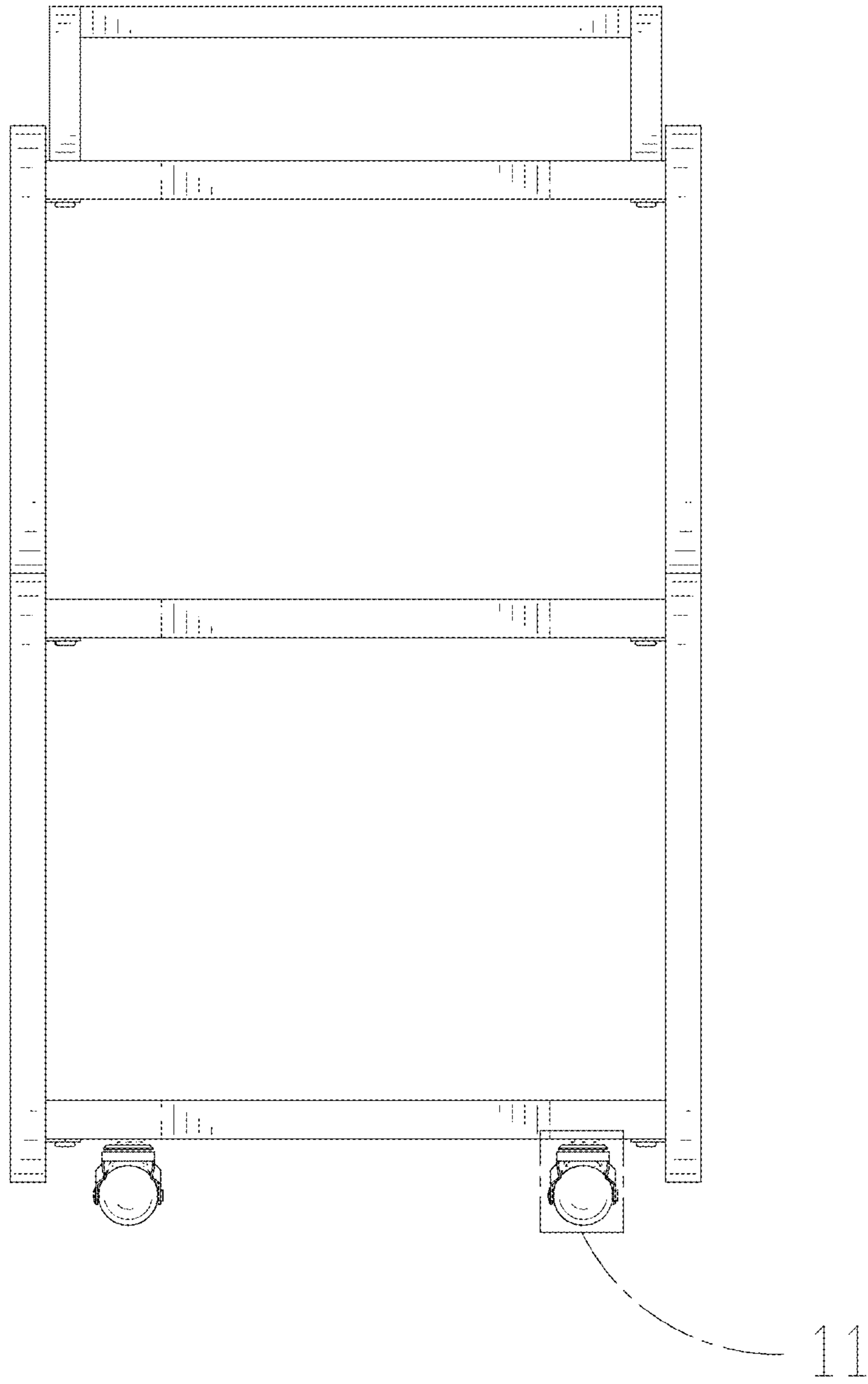


FIG. 5

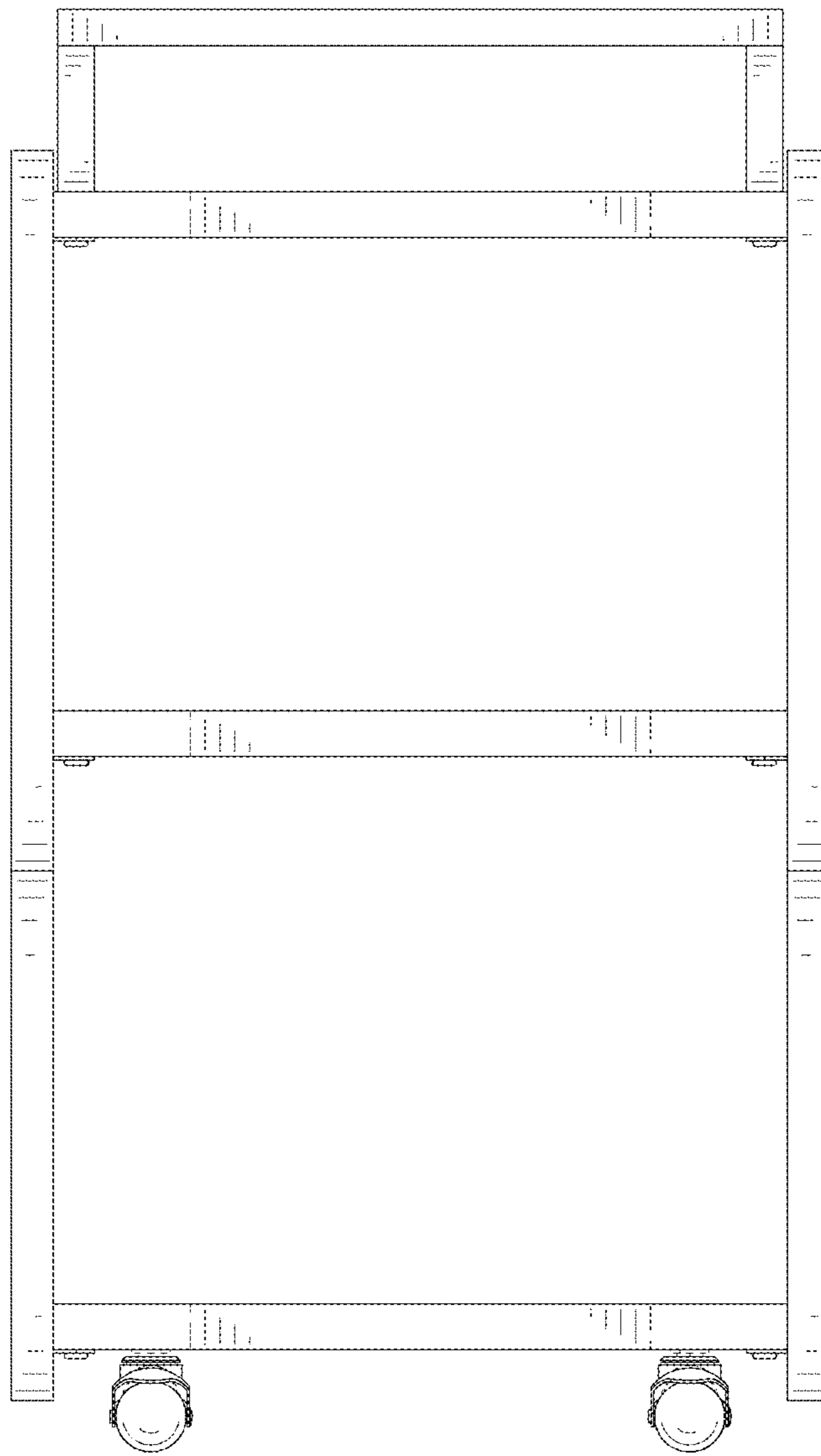


FIG. 6

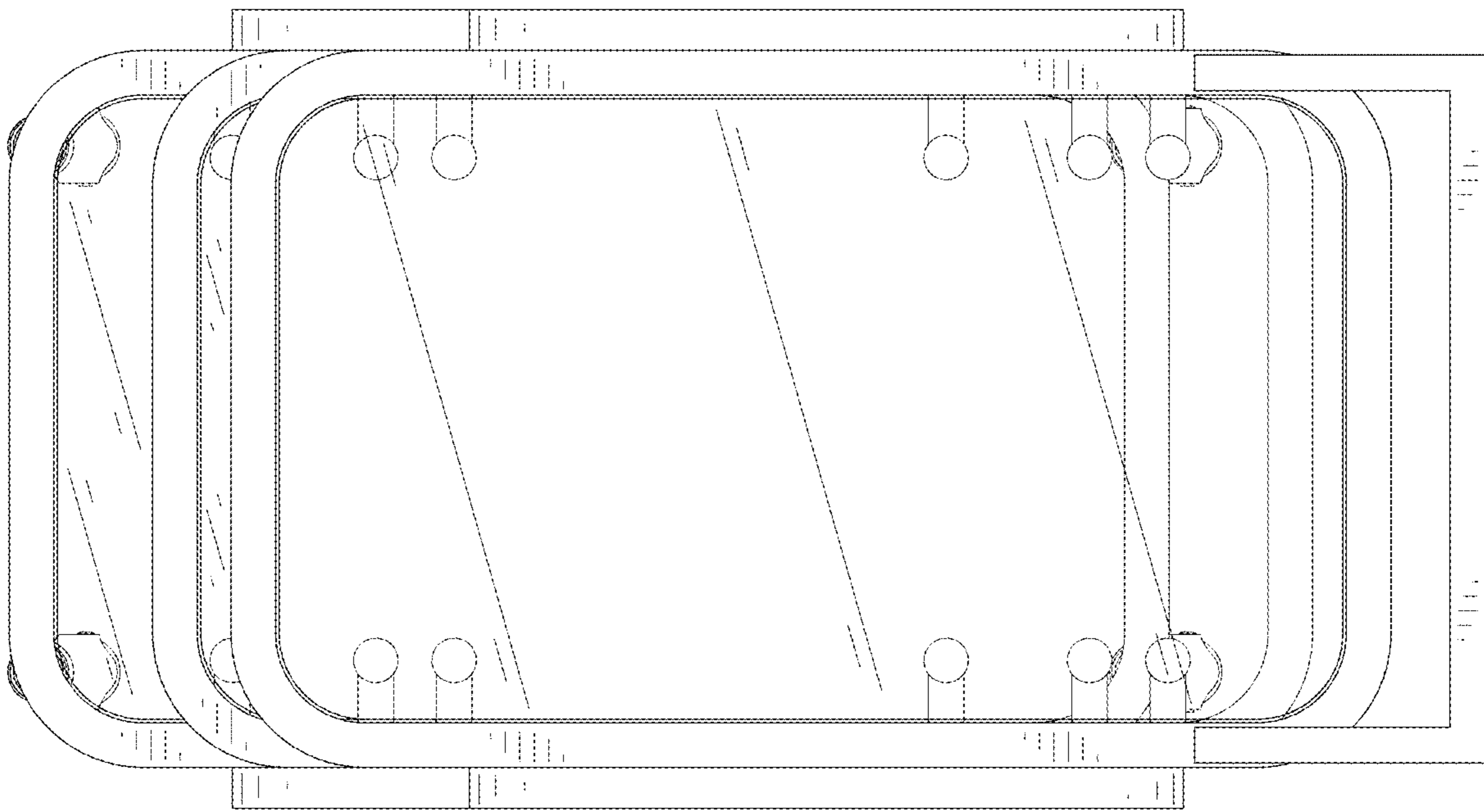


FIG. 7

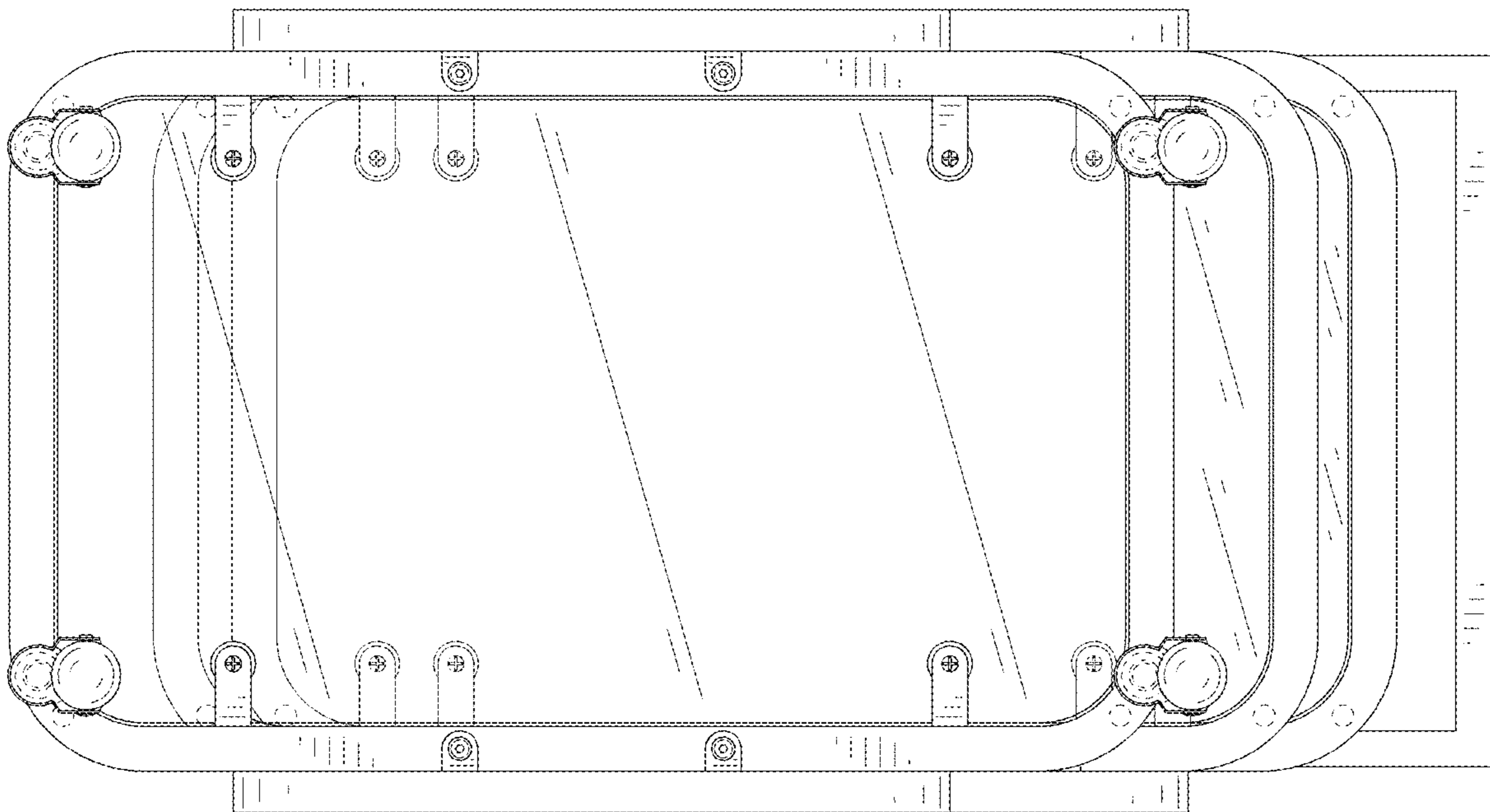


FIG. 8

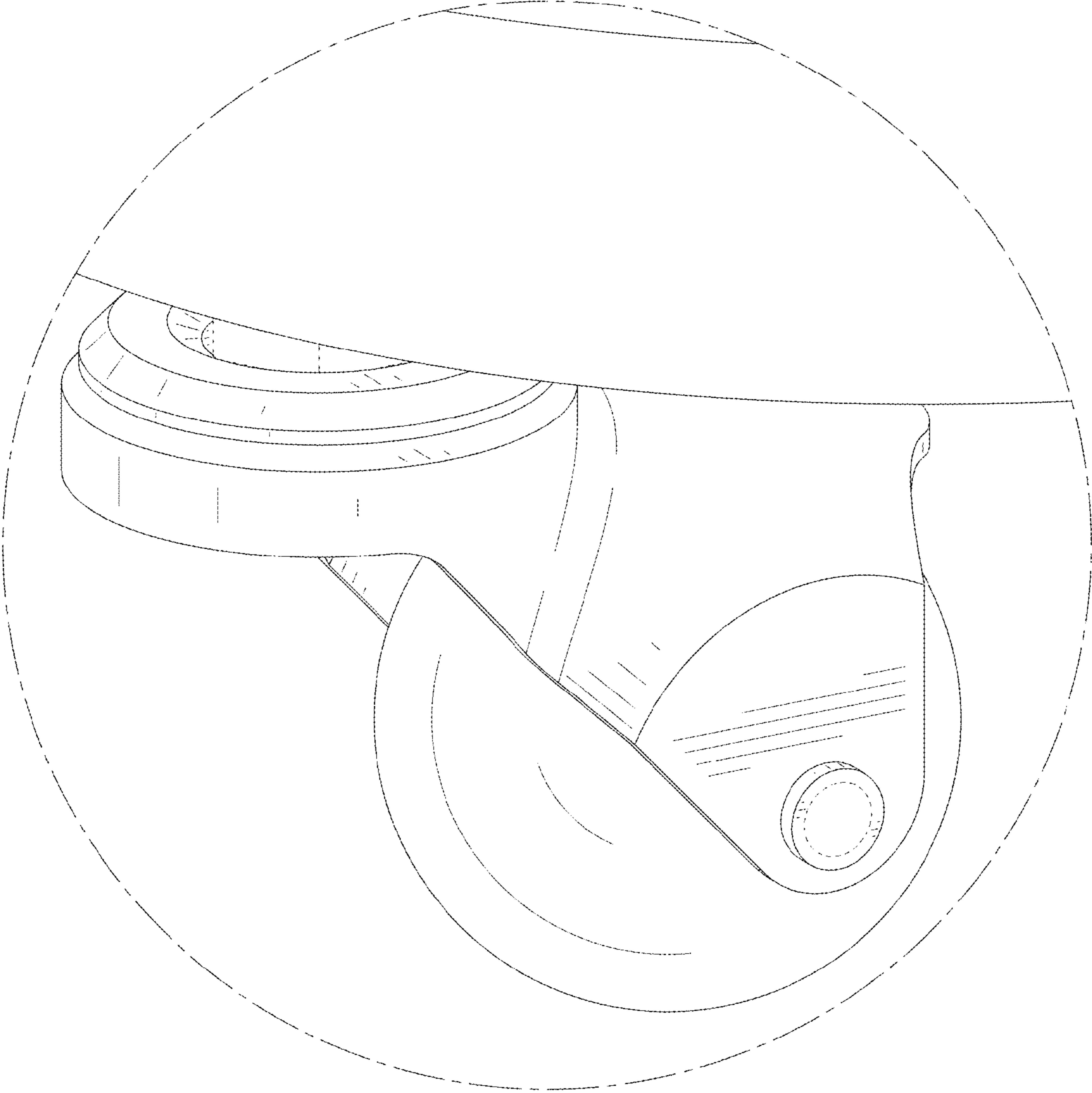


FIG. 9

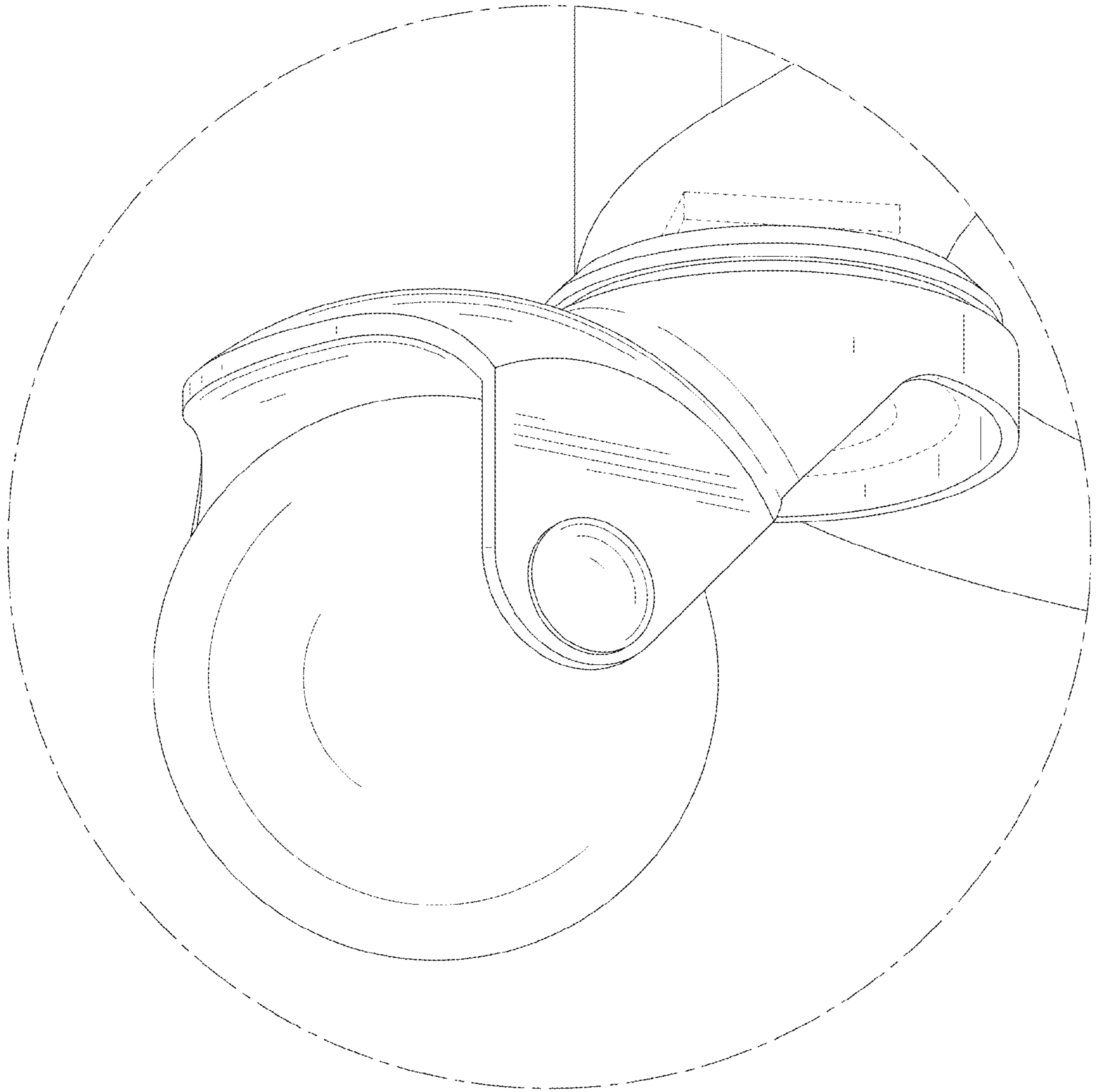


FIG. 10

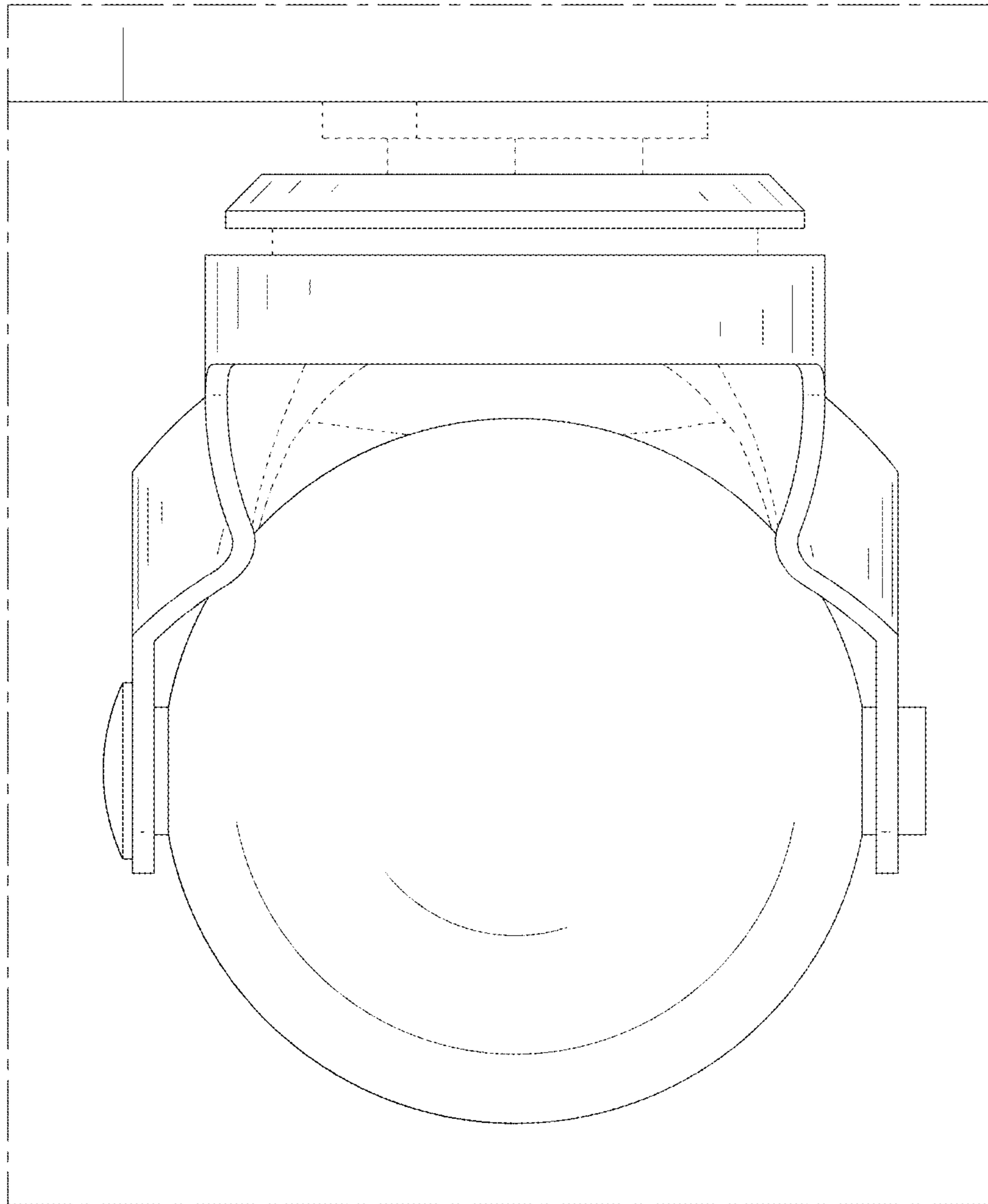


FIG. 11