



US00D982869S

(12) **United States Design Patent** (10) **Patent No.:** **US D982,869 S**  
**Tseng** (45) **Date of Patent:** **\*\* Apr. 4, 2023**

(54) **BAR CART**

(71) Applicant: **HAUSFAME INC.**, Chicago, IL (US)

(72) Inventor: **Ryan Tseng**, Chicago, IL (US)

(73) Assignee: **HAUSFAME INC.**, Chicago, IL (US)

(\*\*) Term: **15 Years**

(21) Appl. No.: **29/862,306**

(22) Filed: **Dec. 8, 2022**

(51) **LOC (14) Cl.** ..... **12-02**

(52) **U.S. Cl.**  
USPC ..... **D34/14; D34/20**

(58) **Field of Classification Search**  
USPC ..... D34/12, 14, 17, 20, 21  
CPC ..... B62B 1/00; B62B 1/006; B62B 1/008;  
B62B 1/10; B62B 1/04; B62B 3/002;  
B62B 3/006; B62B 3/02; B62B 3/10  
See application file for complete search history.

(56) **References Cited**

**U.S. PATENT DOCUMENTS**

D241,324 S *	9/1976	Wright	.....	D34/21
D636,550 S *	4/2011	Molayem	.....	D34/21
D747,837 S *	1/2016	Chang	.....	D34/21
D757,386 S *	5/2016	Abel	.....	D34/17
D817,583 S	5/2018	Reyes et al.		
D903,966 S	12/2020	Li		
D927,818 S *	8/2021	Li	.....	D34/21
D972,247 S *	12/2022	Jiang	.....	D34/21
D972,804 S *	12/2022	Au	.....	D34/21

**OTHER PUBLICATIONS**

potterybarn.com retrieved Jan. 5, 2023, skylar 29" metal bar cart brass, <https://www.potterybarn.com/products/skylar-rectangular-bar-cart/?catalogId=84&sku=7107711> (Year: 2023).\*

1stopbedrooms.com retrieved Jan. 5, 2023, Kailman Gold br cart, [https://www.1stopbedrooms.com/kailman-gold-bar-cart?q\\_src=bing\\_ads&cq\\_cmp=331096155](https://www.1stopbedrooms.com/kailman-gold-bar-cart?q_src=bing_ads&cq_cmp=331096155) (Year: 2023).\*  
lightingnewyork.com retrieved Jan. 5, 2023, Twig Brass Antique Bar Cart, <https://lightingnewyork.com/product/furniture-and-decor/furniture/bar%2Fwine-cabinets-and-carts/a-b-home-twig-bar-wine-cabinets-carts-48427/1952652> (Year: 2023).\*

(Continued)

*Primary Examiner* — Cynthia Ramirez  
(74) *Attorney, Agent, or Firm* — Daniel M. Cohn;  
Howard M. Cohn

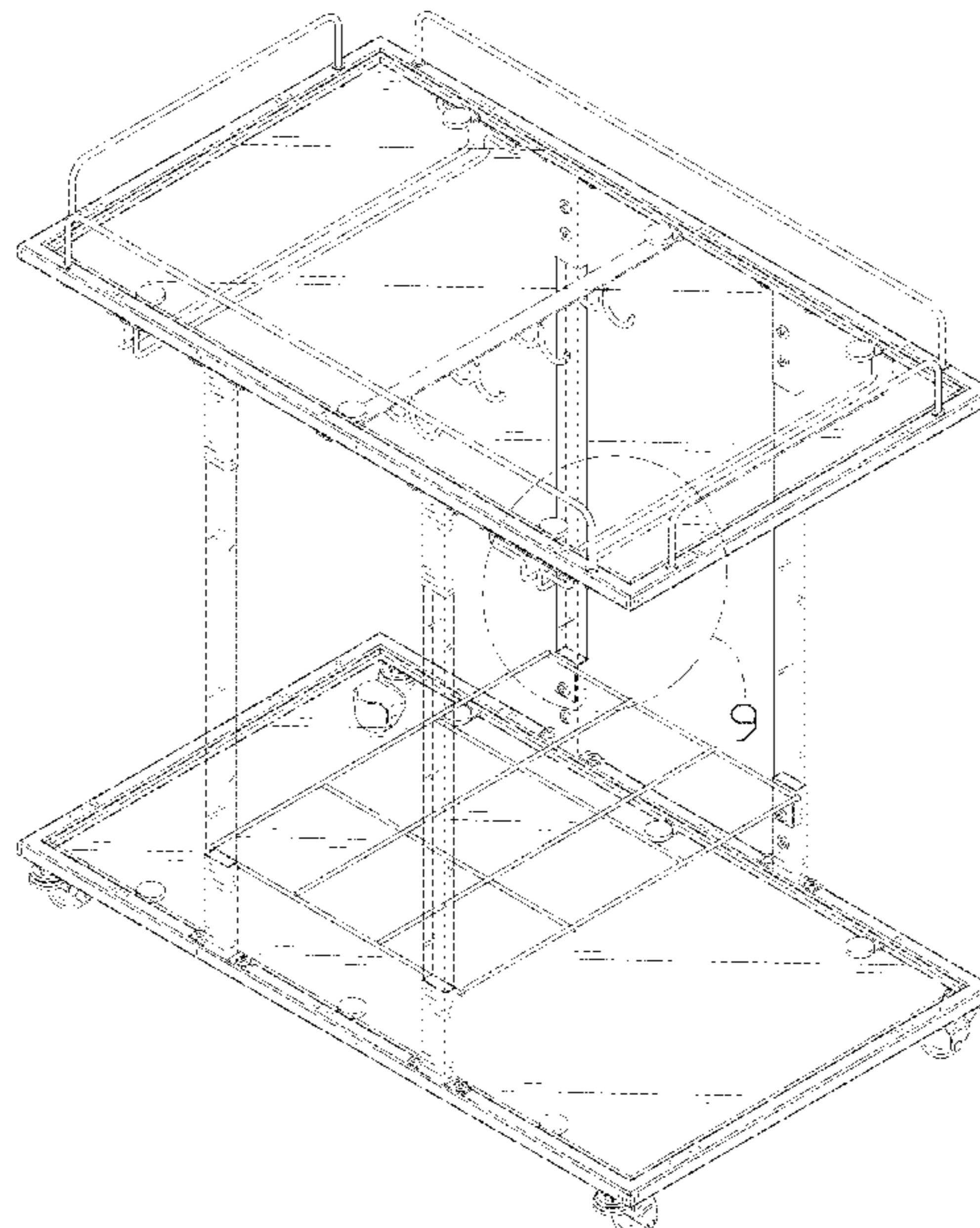
(57) **CLAIM**

The ornamental design for a bar cart, as shown and described.

**DESCRIPTION**

FIG. 1 is a perspective view of a bar cart showing my new design;  
FIG. 2 is another perspective view thereof;  
FIG. 3 is a front elevational view thereof;  
FIG. 4 is a rear elevational view thereof;  
FIG. 5 is a left side elevational view thereof;  
FIG. 6 is a right side elevational view thereof;  
FIG. 7 is a top plan view thereof;  
FIG. 8 is a bottom plan view thereof;  
FIG. 9 is an enlarged view of portion 9 shown in FIG. 1;  
FIG. 10 is an enlarged view of portion 10 shown in FIG. 2;  
and,  
FIG. 11 is an enlarged view of portion 11 shown in FIG. 3.  
The dash-dash broken lines in the drawings depict portions of the bar cart that form no part of the claimed design. The dot-dash broken lines represent boundaries of the enlarged portions and form no part of the claimed design.

**1 Claim, 11 Drawing Sheets**



(56)

**References Cited**

OTHER PUBLICATIONS

amazon.com retrieved Jan. 5, 2023, Jubao bar cart gold 3 shelves with 8 wine racks, <https://www.amazon.com/dp/B086SX45DR> (Year: 2023).\*

amazon.com retrieved Jan. 5, 2023, O&K Furniture silver bar cart with wine rack and glass holder, <https://www.amazon.com/FURNITURE-Acrylic-Serving-Storage-Kitchen/dp/B0B1ZN9WN7> (Year: 2023).\*

amazon.com retrieved Jan. 5, 2023, Acme 3 tier serving cart on Caster wheel, <https://www.amazon.com/Acme-Furniture-Splinter-Serving-Chrome/dp/B08ZXRTCQF> (Year: 2023).\*

\* cited by examiner

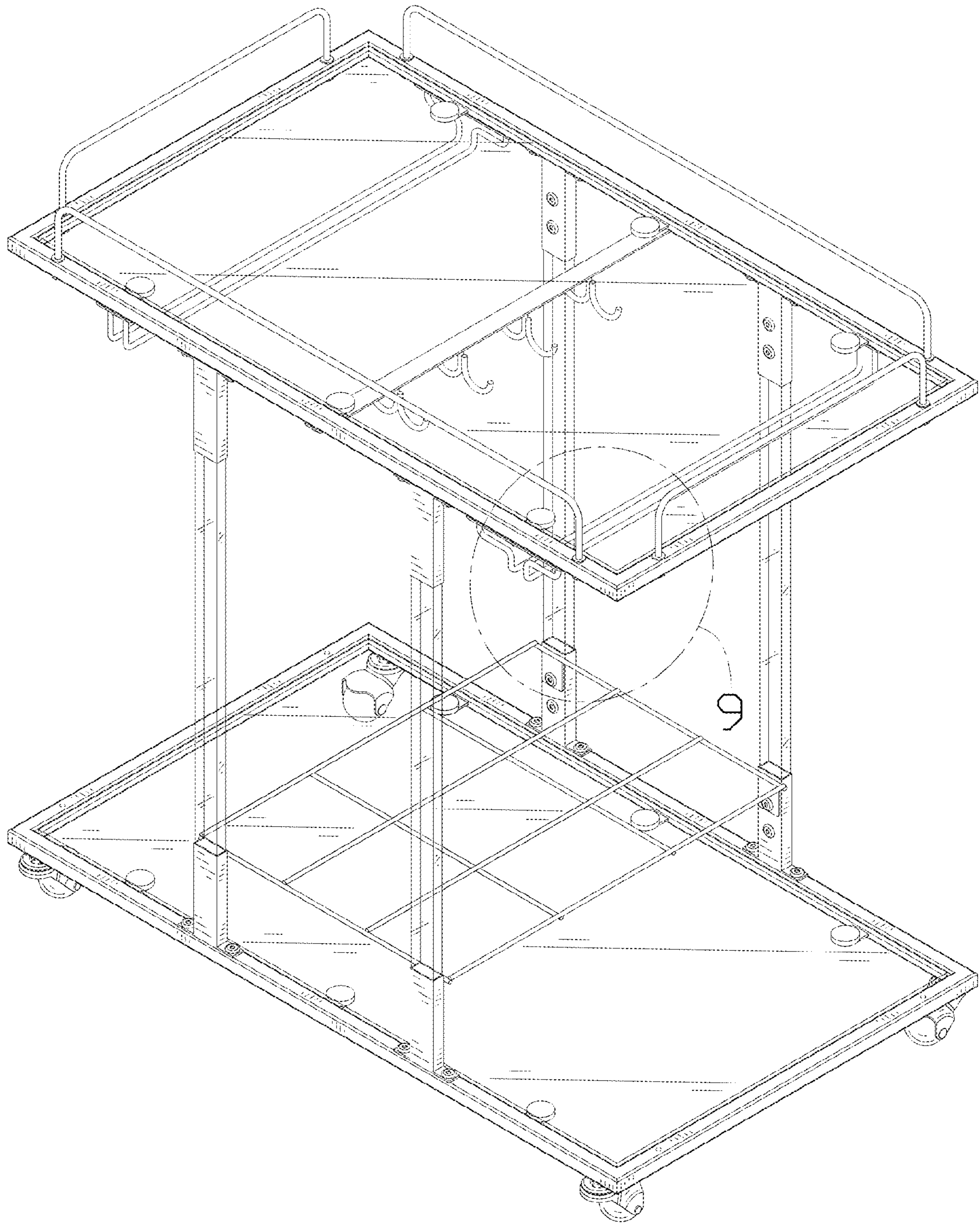


FIG. 1

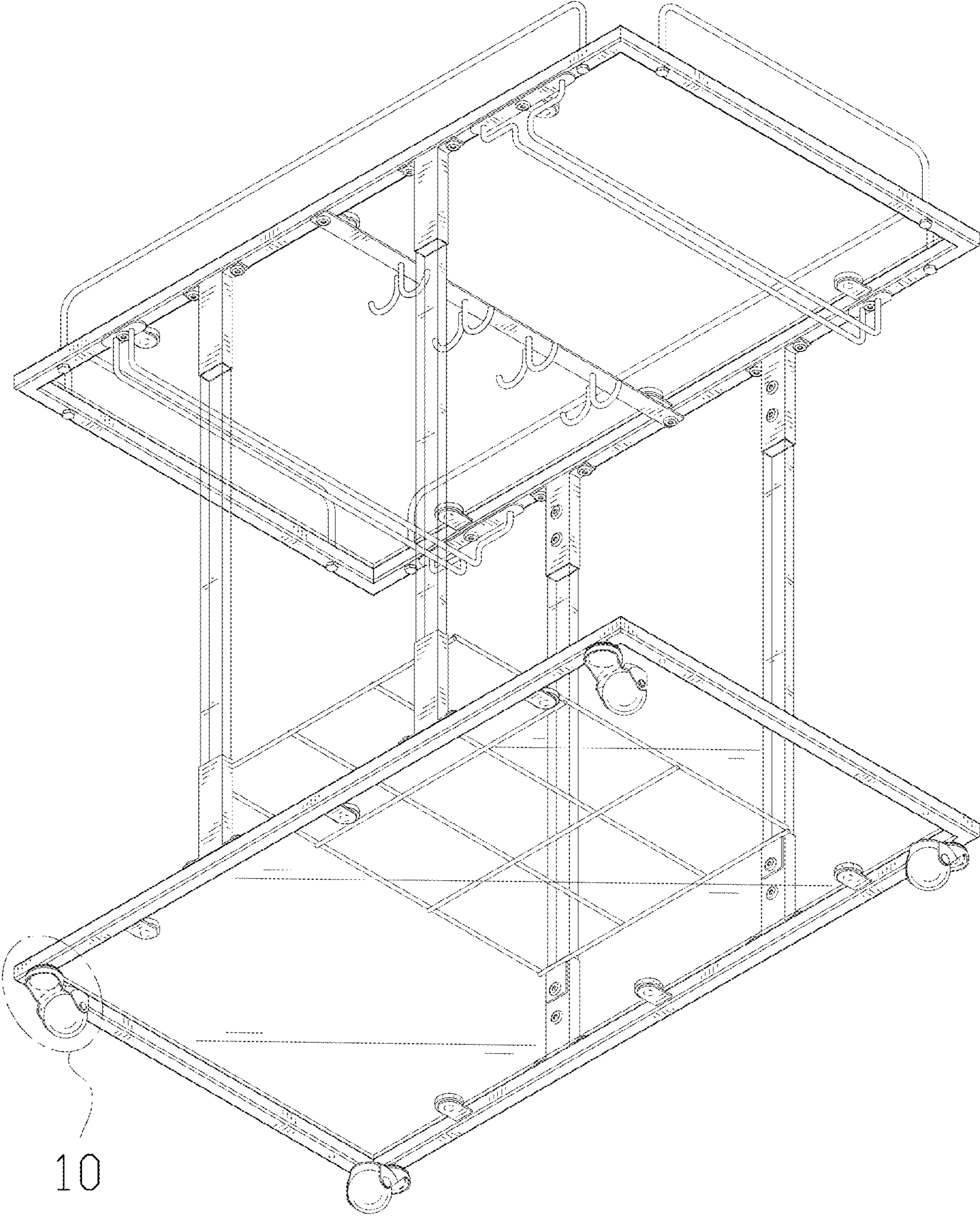


FIG. 2

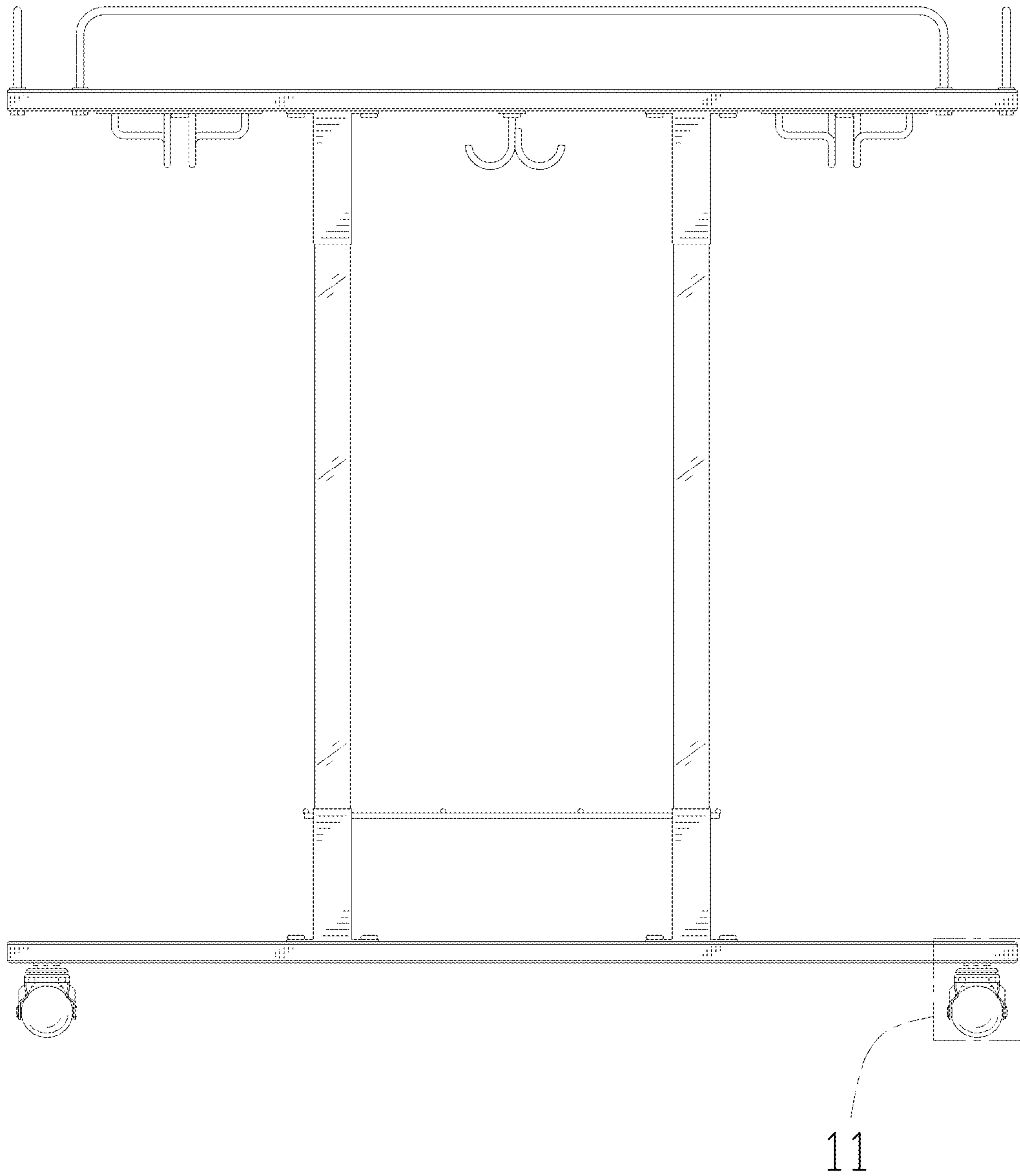


FIG. 3

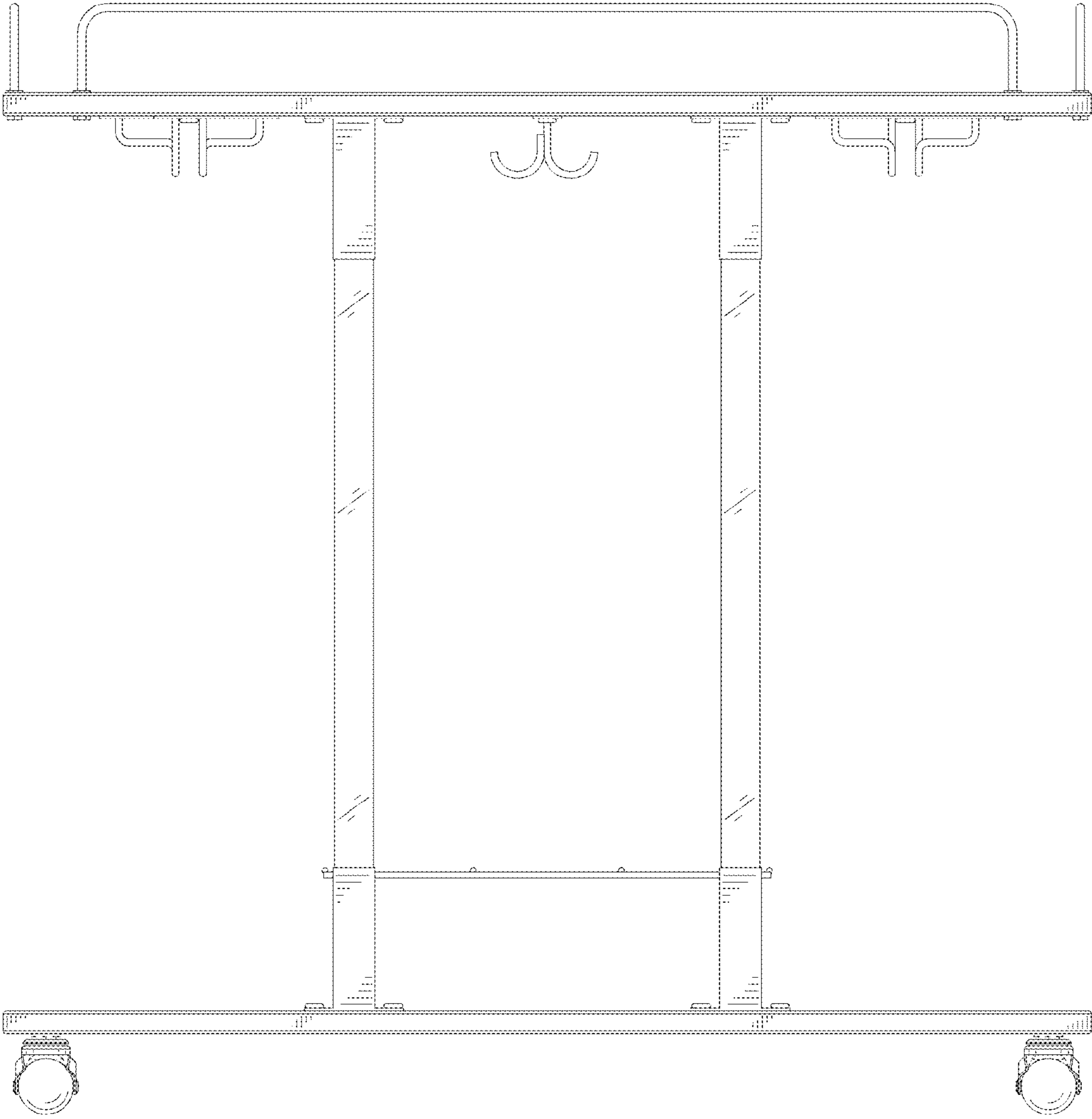


FIG. 4

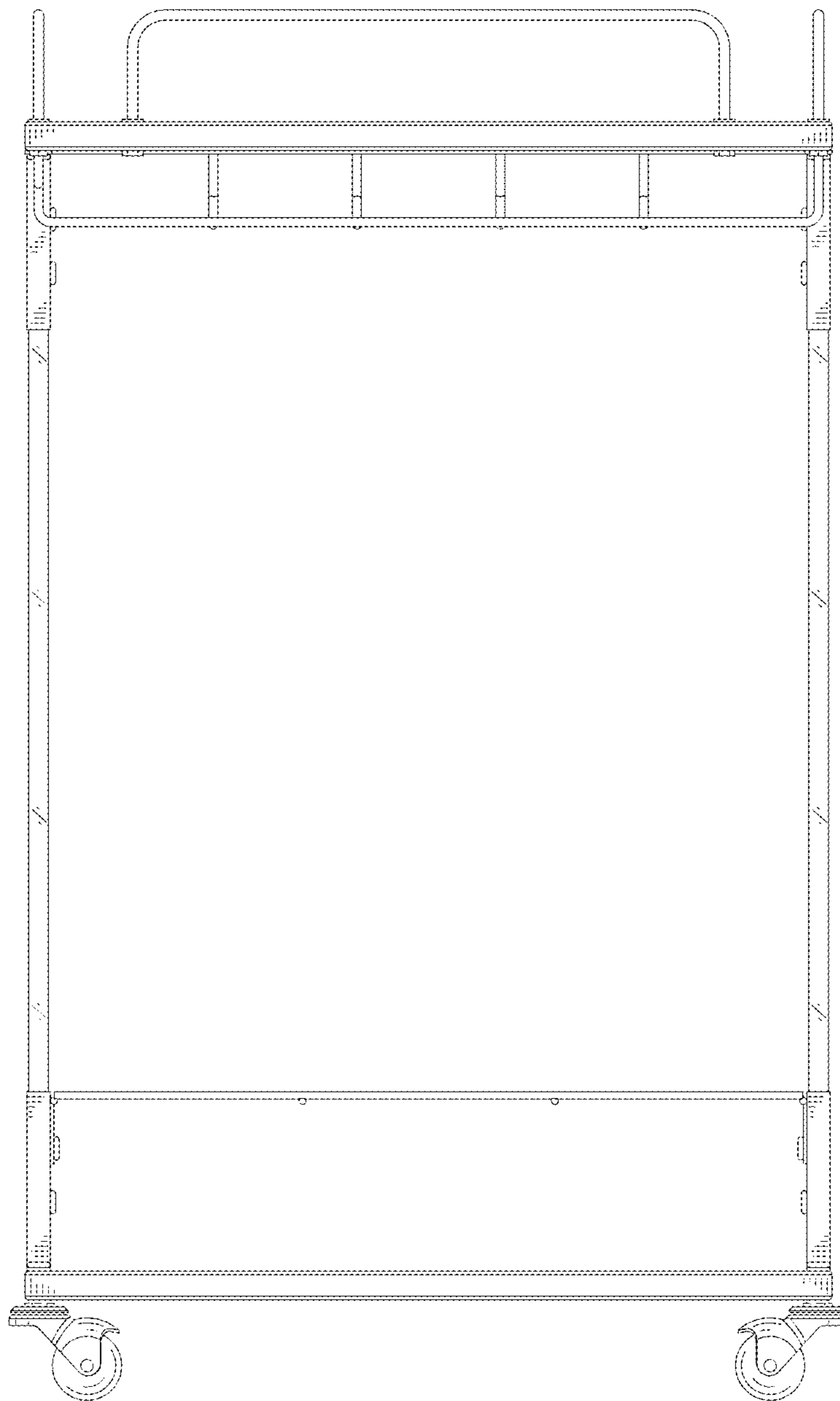


FIG. 5

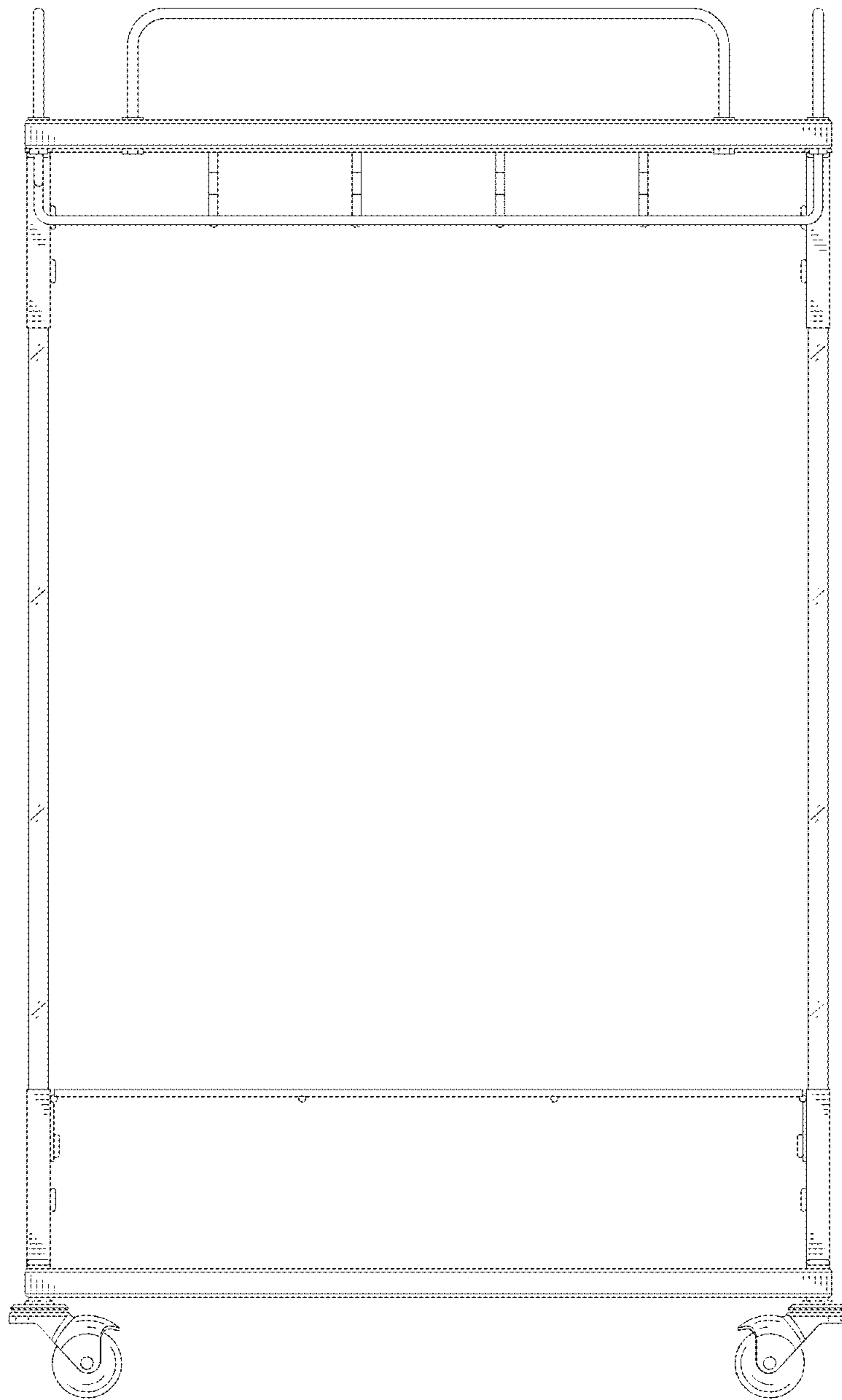


FIG. 6



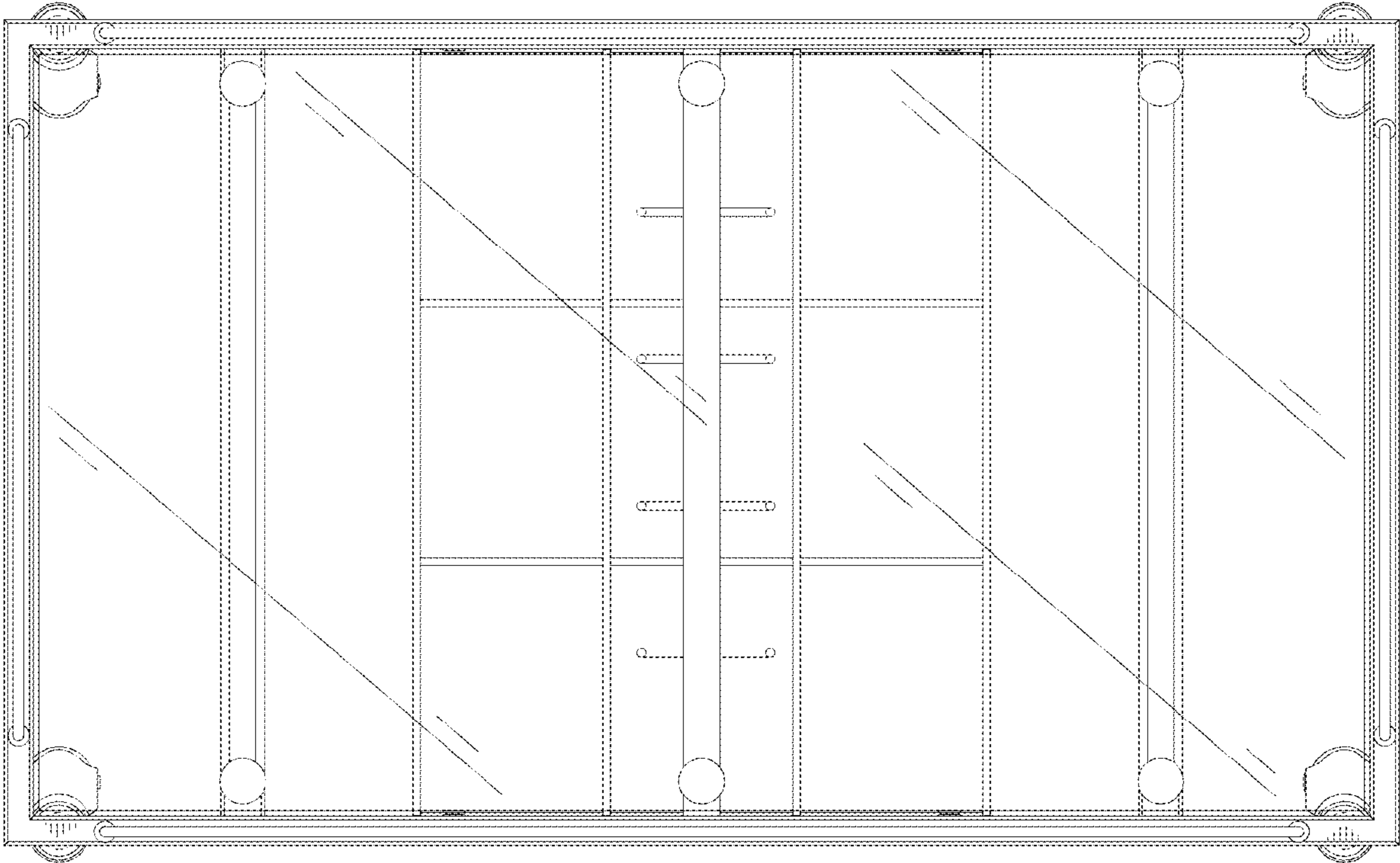


FIG. 7

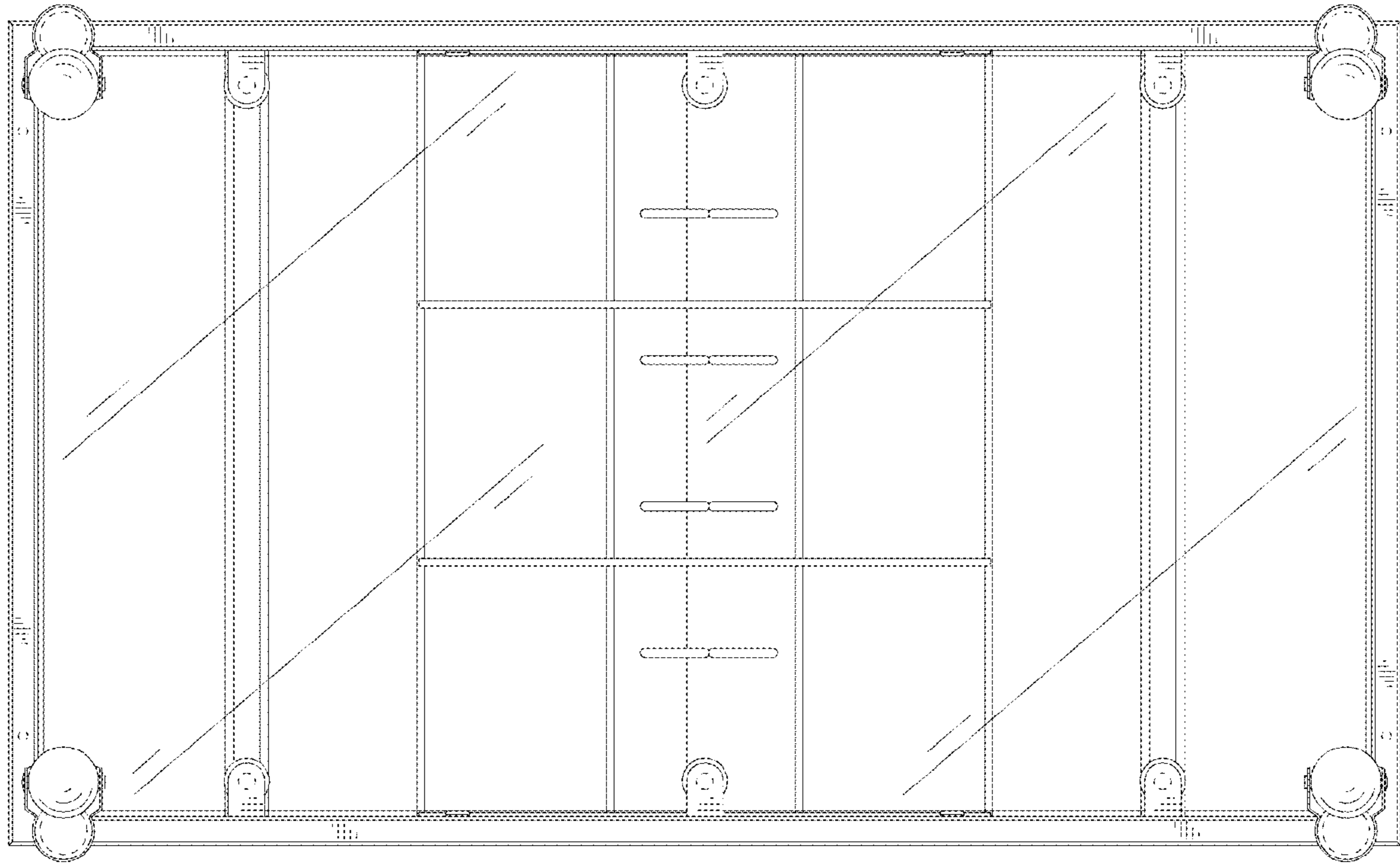


FIG. 8

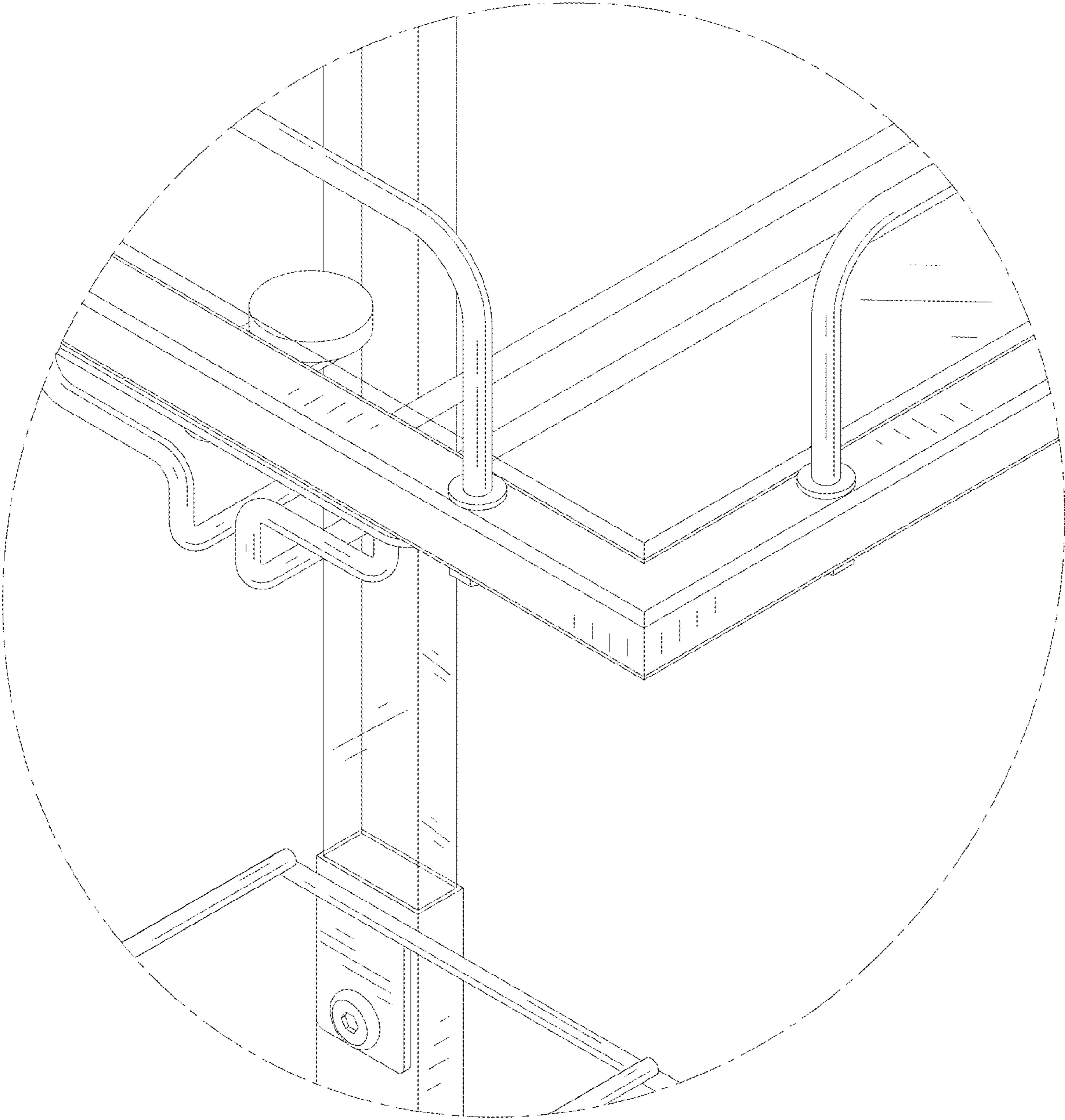


FIG. 9

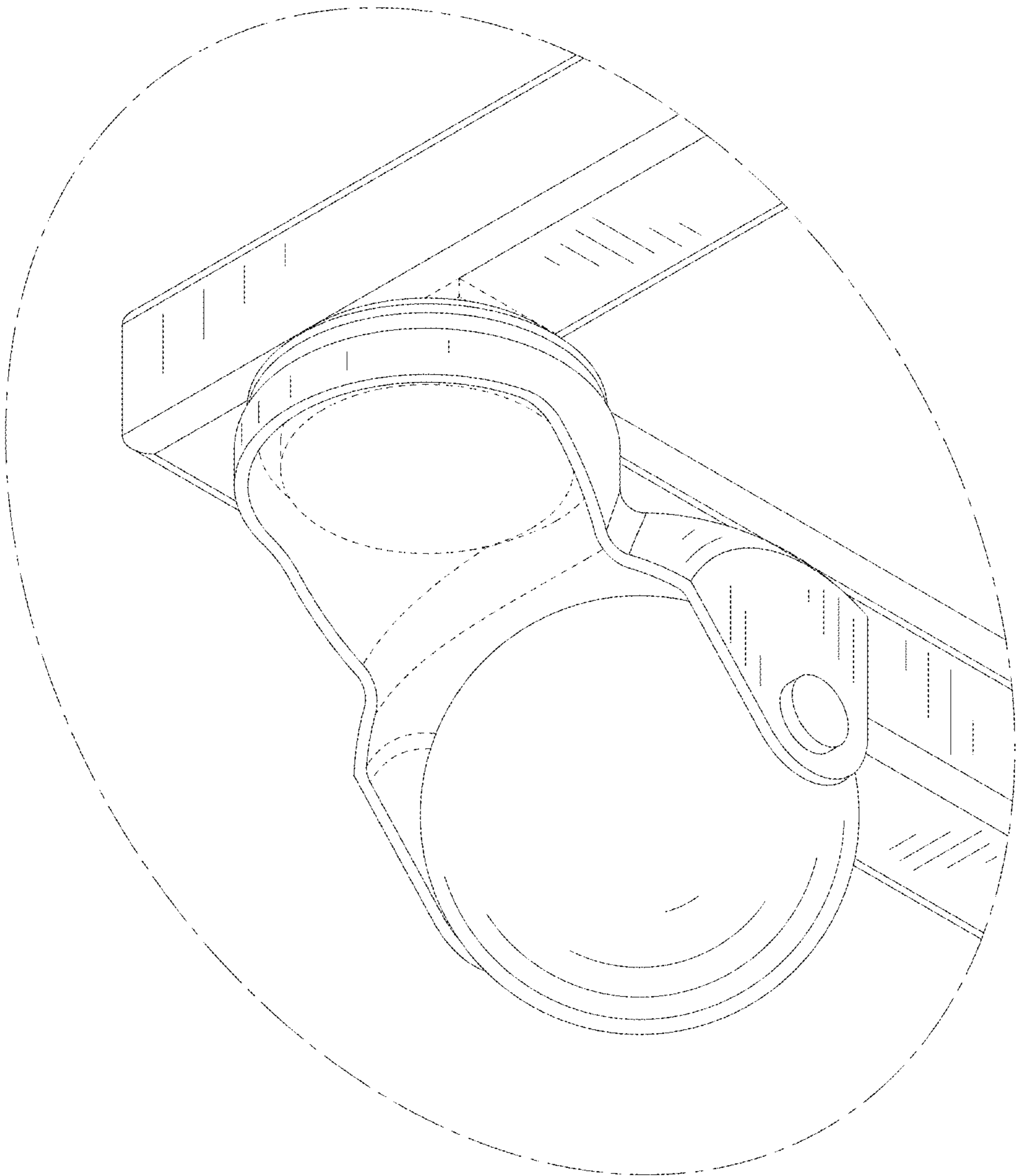


FIG. 10

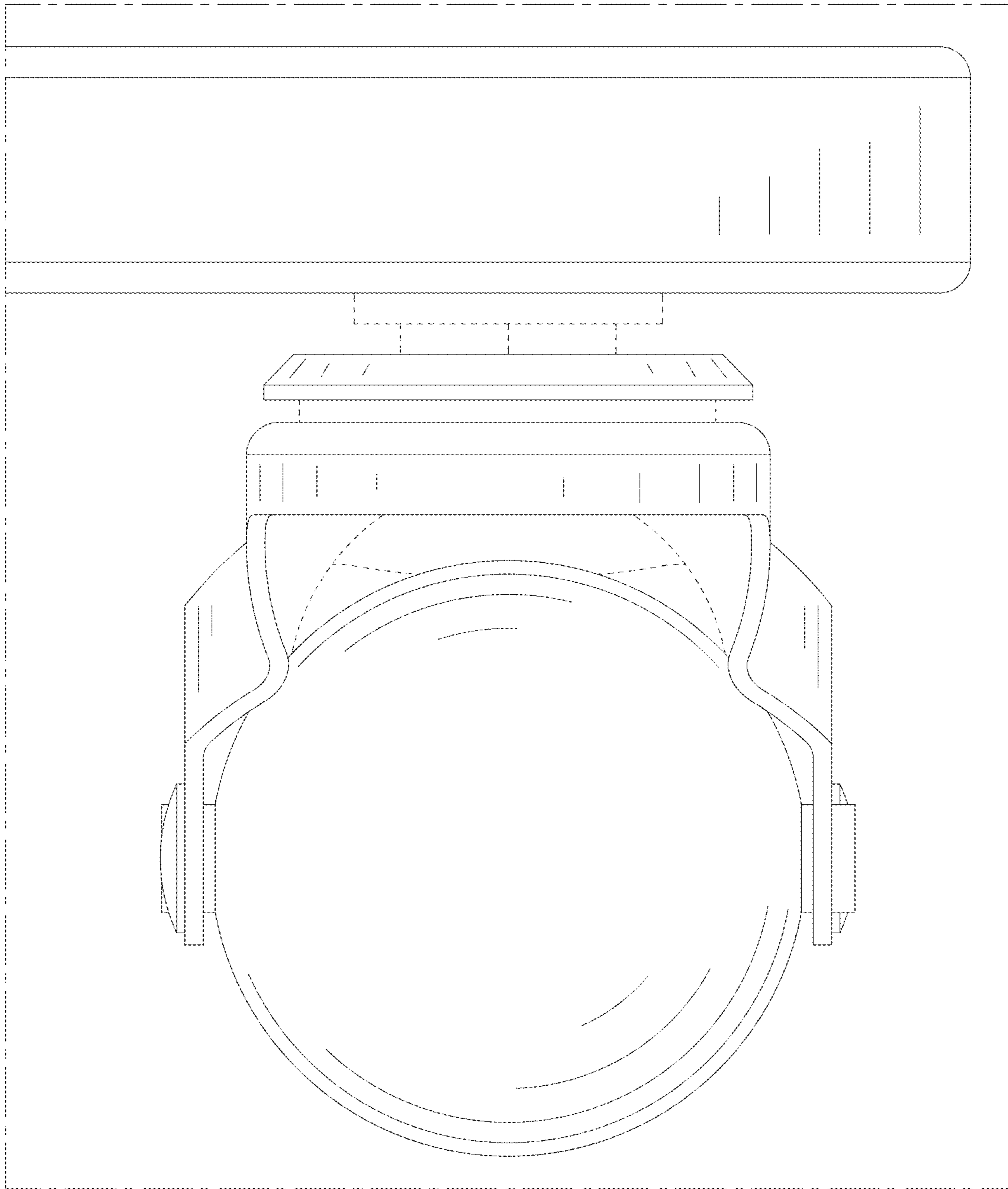


FIG. 11