



US00D982868S

(12) **United States Design Patent** (10) **Patent No.:** **US D982,868 S**
Rao (45) **Date of Patent:** **** Apr. 4, 2023**

(54) **CAR TRASH CAN**

OTHER PUBLICATIONS

(71) Applicant: **Shenzhen Beijiaying Technology Co., Ltd.**, Guangdong (CN)

Beicarin, announced Jan. 2021 [online], [site visited Dec. 29, 2022], Avail from int, URL: https://www.amazon.com/Car-Trash-Can-Lid-Multipurpose/dp/B08VDRP7HF/ref=sr_1_12_sspa (Year: 2021).*

(72) Inventor: **Mingyun Rao**, Guangdong (CN)

* cited by examiner

(**) Term: **15 Years**

Primary Examiner — Cynthia Ramirez

Assistant Examiner — Tamara L Hahn

(21) Appl. No.: **29/801,844**

(74) *Attorney, Agent, or Firm* — SciNova IP and Regulatory Consulting LLC; Jingfeng Song

(22) Filed: **Jul. 31, 2021**

(51) **LOC (14) Cl.** **09-09**

(57) **CLAIM**

(52) **U.S. Cl.**

USPC **D34/7**

The ornamental design for a car trash can, as shown and described.

(58) **Field of Classification Search**

DESCRIPTION

USPC D34/1, 5, 6, 7, 10, 11; D6/515; D9/734; D12/415, 423

FIG. 1 is a perspective view of a car trash can, showing my design.

CPC B60R 2011/0005; B60R 11/02; B65F 1/00; B65F 1/163; B65F 1/1638; B65F 1/0033; B65F 2001/1489; Y10S 220/908

FIG. 2 is a second perspective view thereof.

See application file for complete search history.

FIG. 3 is a front elevation view thereof.

FIG. 4 is a rear elevation view thereof.

(56) **References Cited**

U.S. PATENT DOCUMENTS

D657,521 S * 4/2012 Kneedler D22/136
D673,342 S * 12/2012 Kline D34/7
D931,186 S * 9/2021 Ye D12/415
D942,728 S * 2/2022 Xu D34/7
D943,232 S * 2/2022 Xu D34/7
D969,061 S * 11/2022 Zheng D12/423

FIG. 5 is a left side elevation view thereof.

FIG. 6 is a right side elevation view thereof.

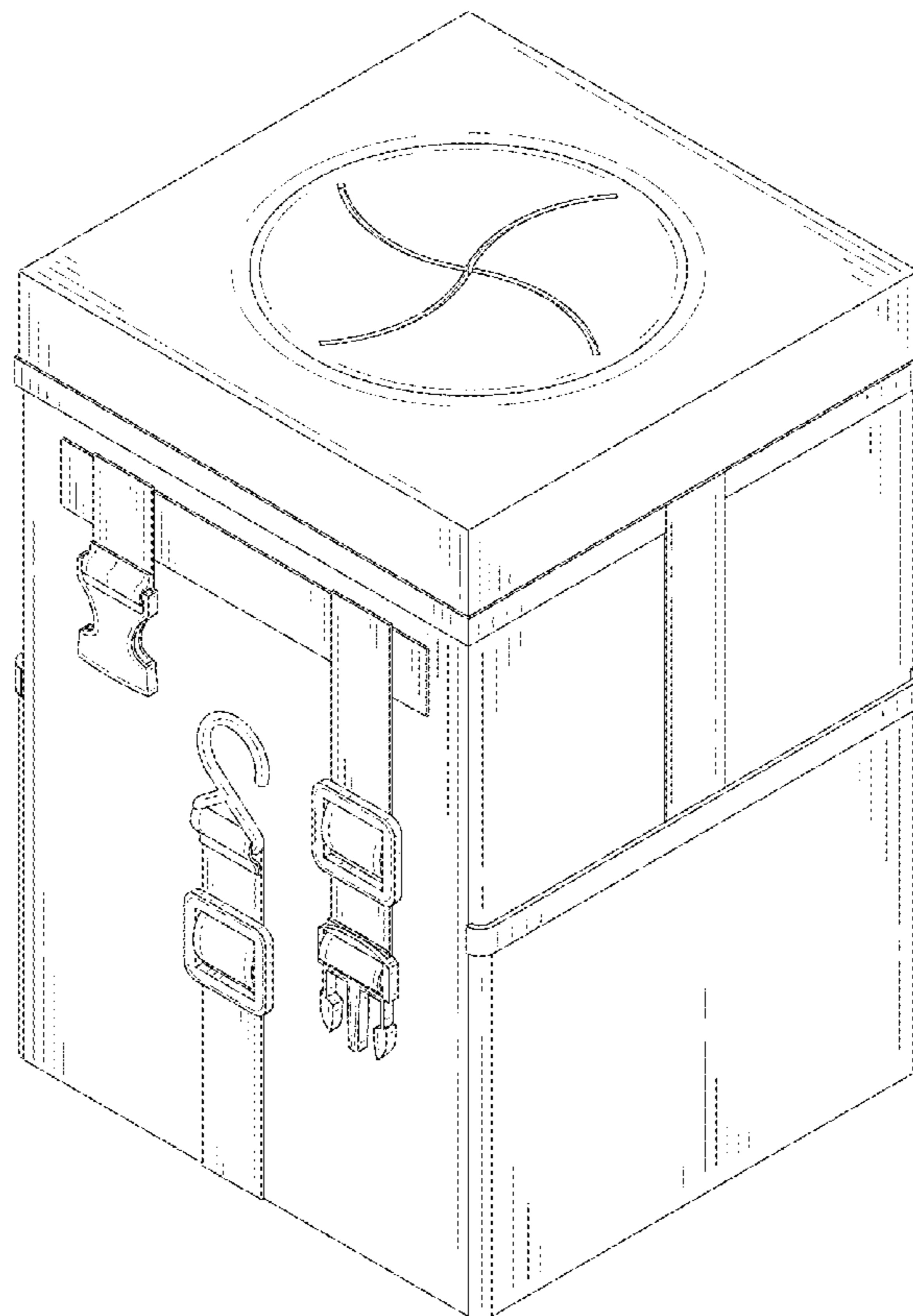
FIG. 7 is a top plan view thereof.

FIG. 8 is a bottom plan view thereof.

FIG. 9 is a perspective view thereof when it is opened; and,

FIG. 10 is another perspective view when it is opened.

1 Claim, 10 Drawing Sheets



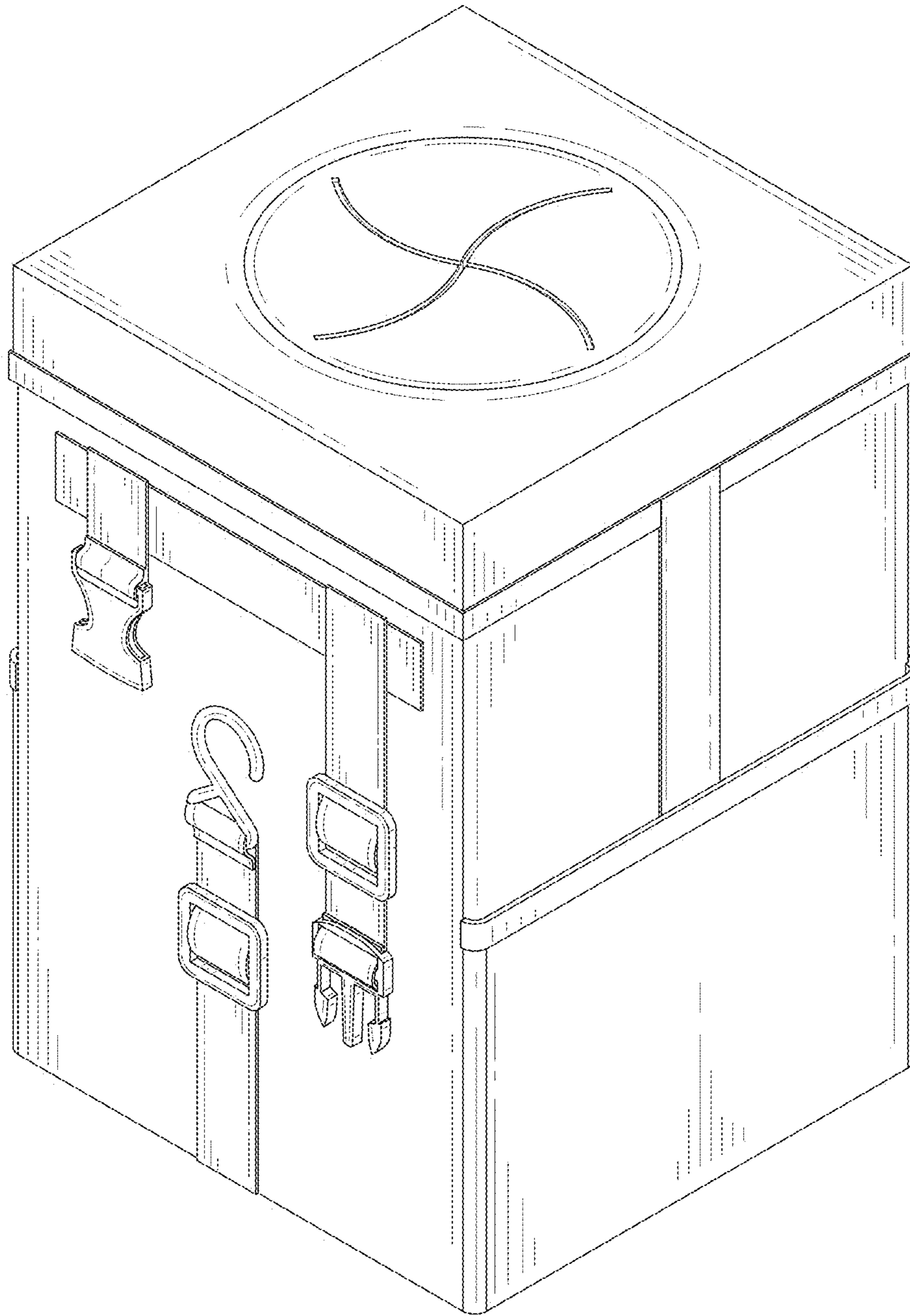


FIG. 1

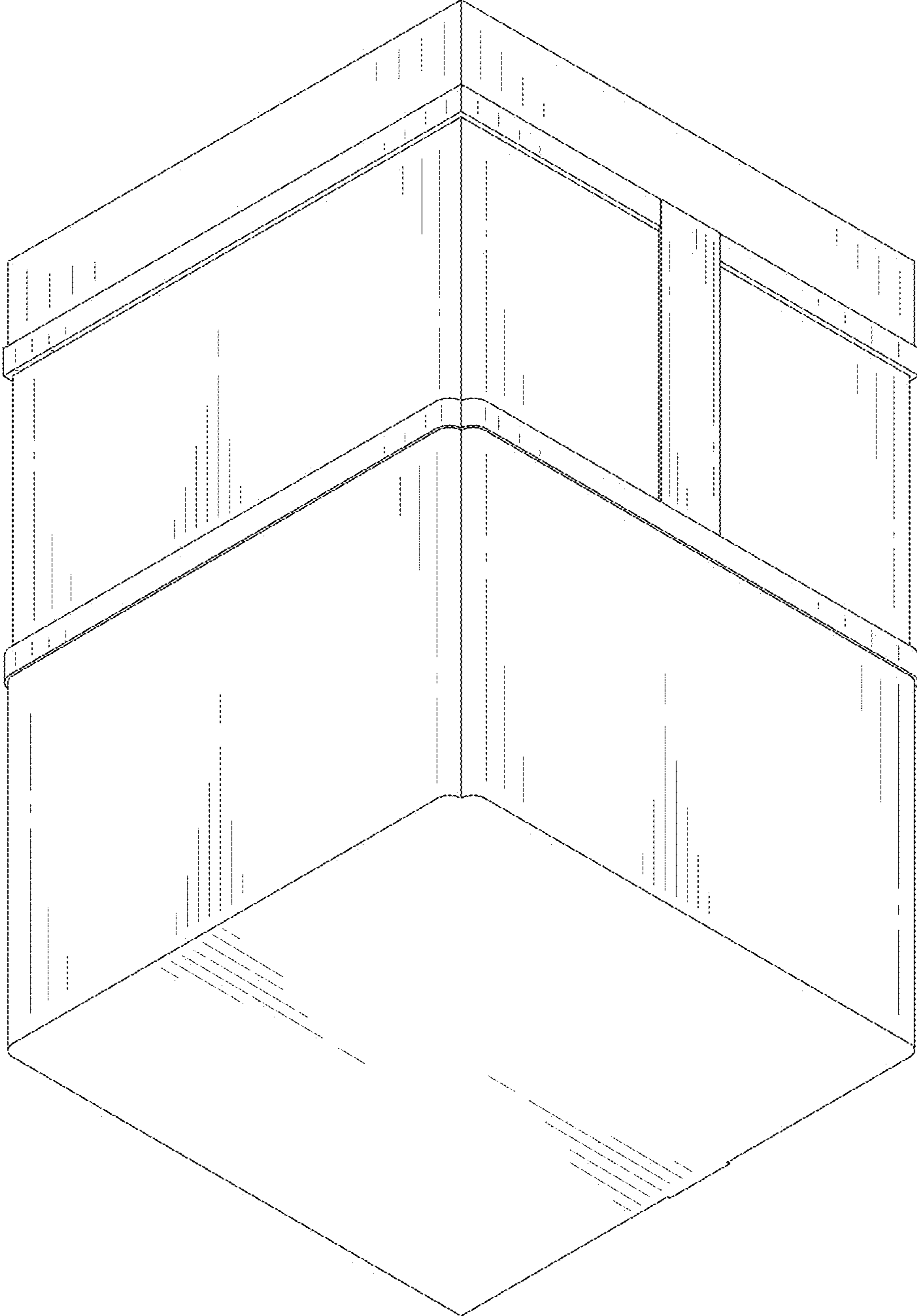


FIG.2

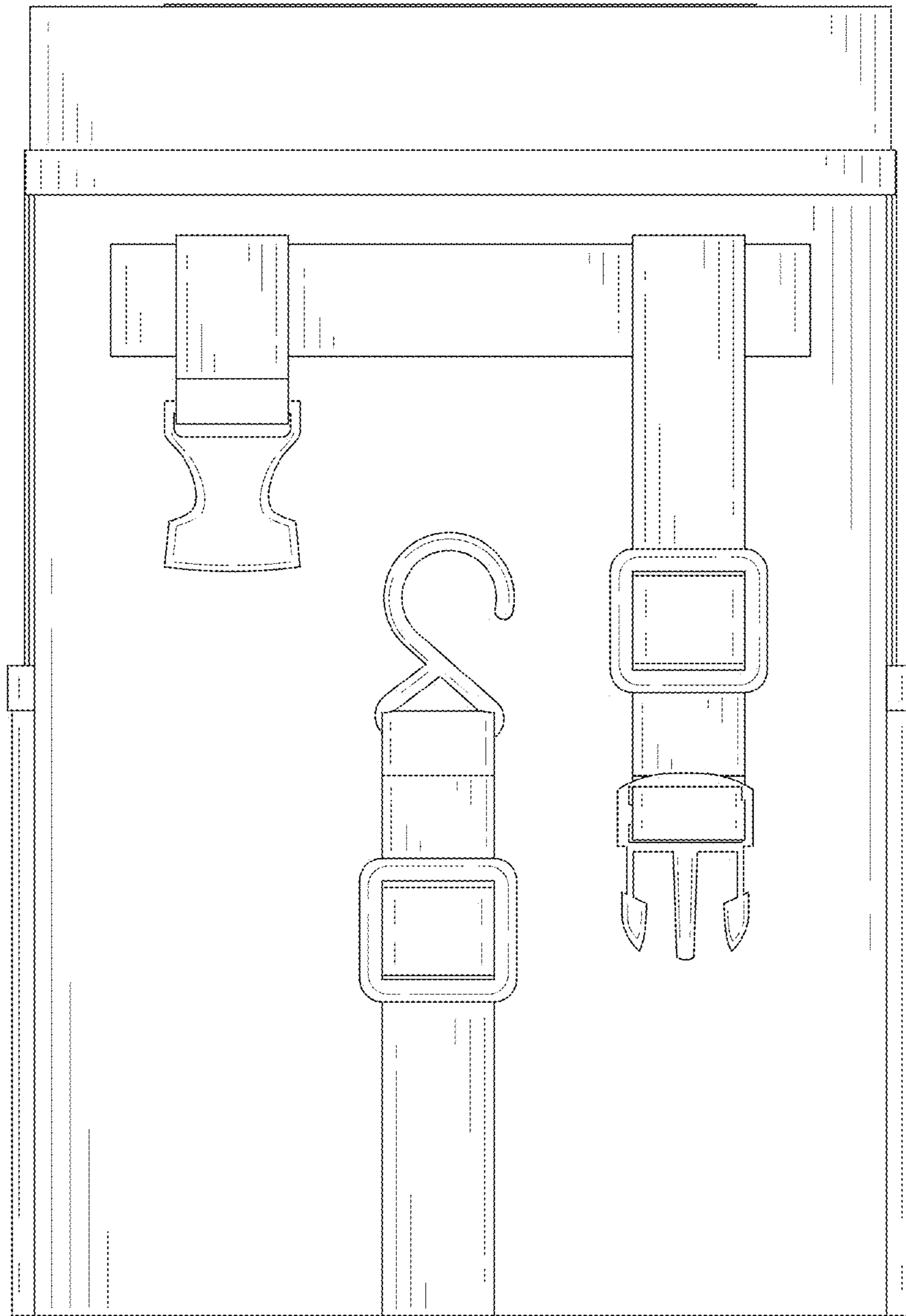


FIG.3

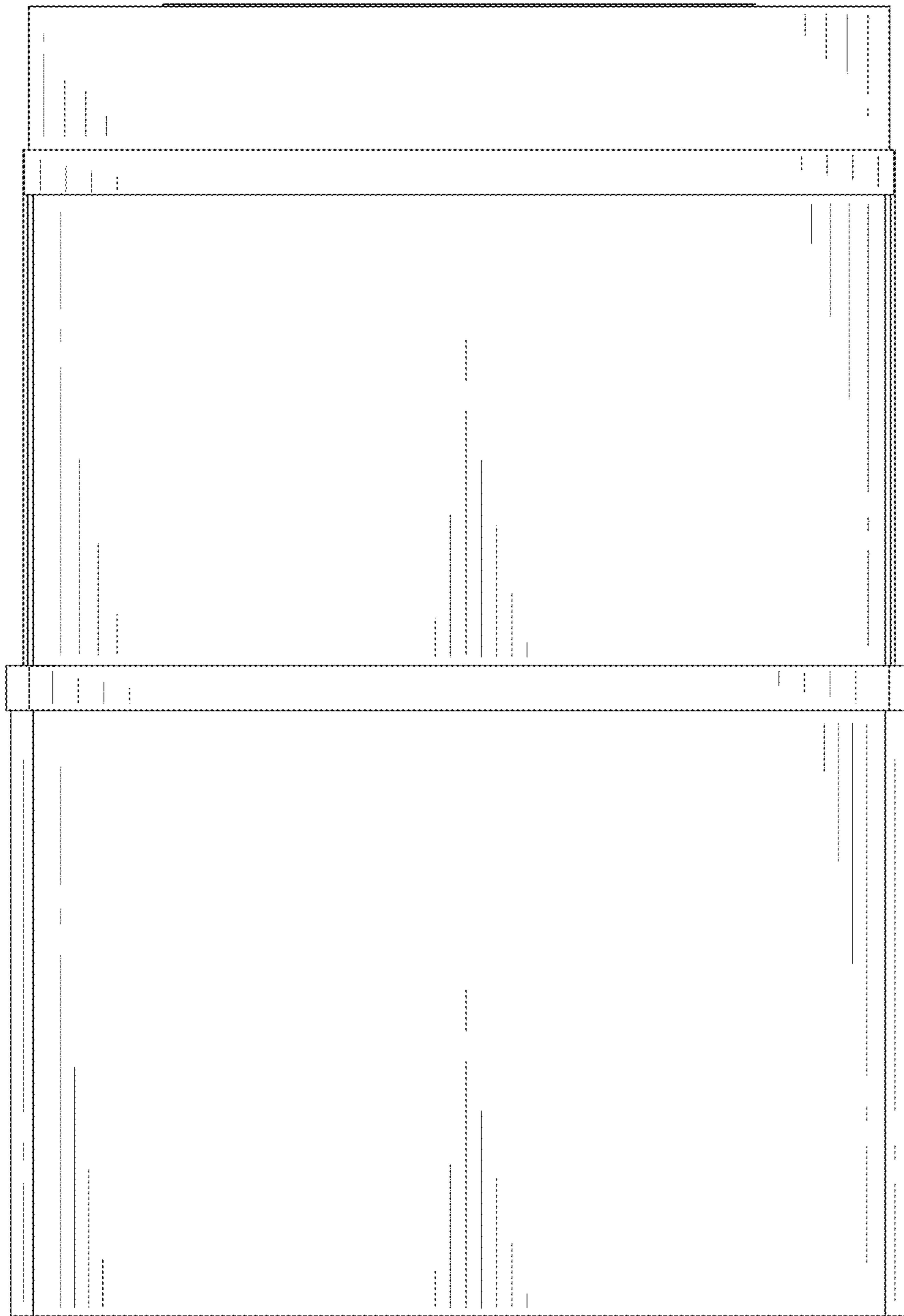


FIG.4

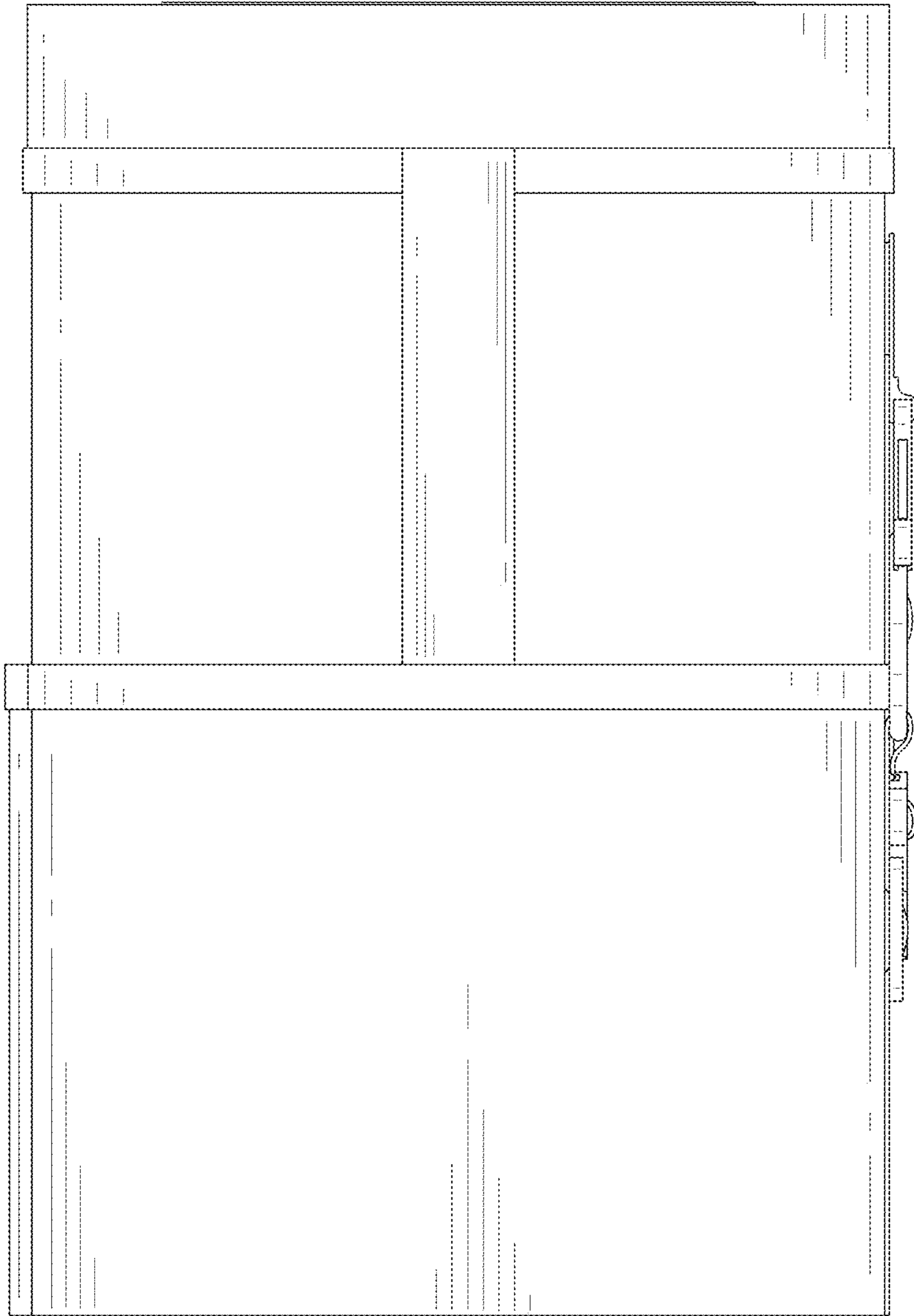


FIG.5

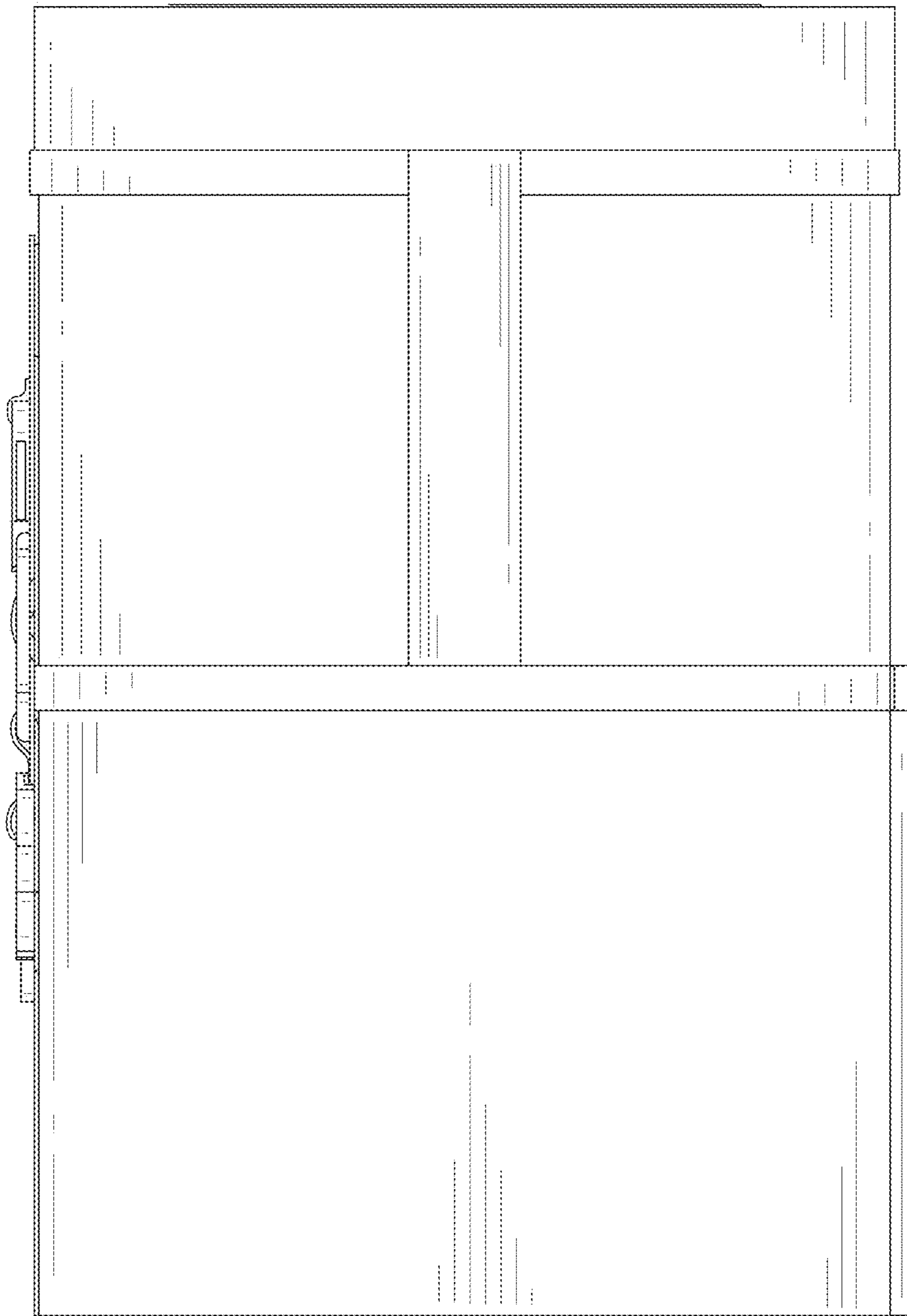


FIG.6

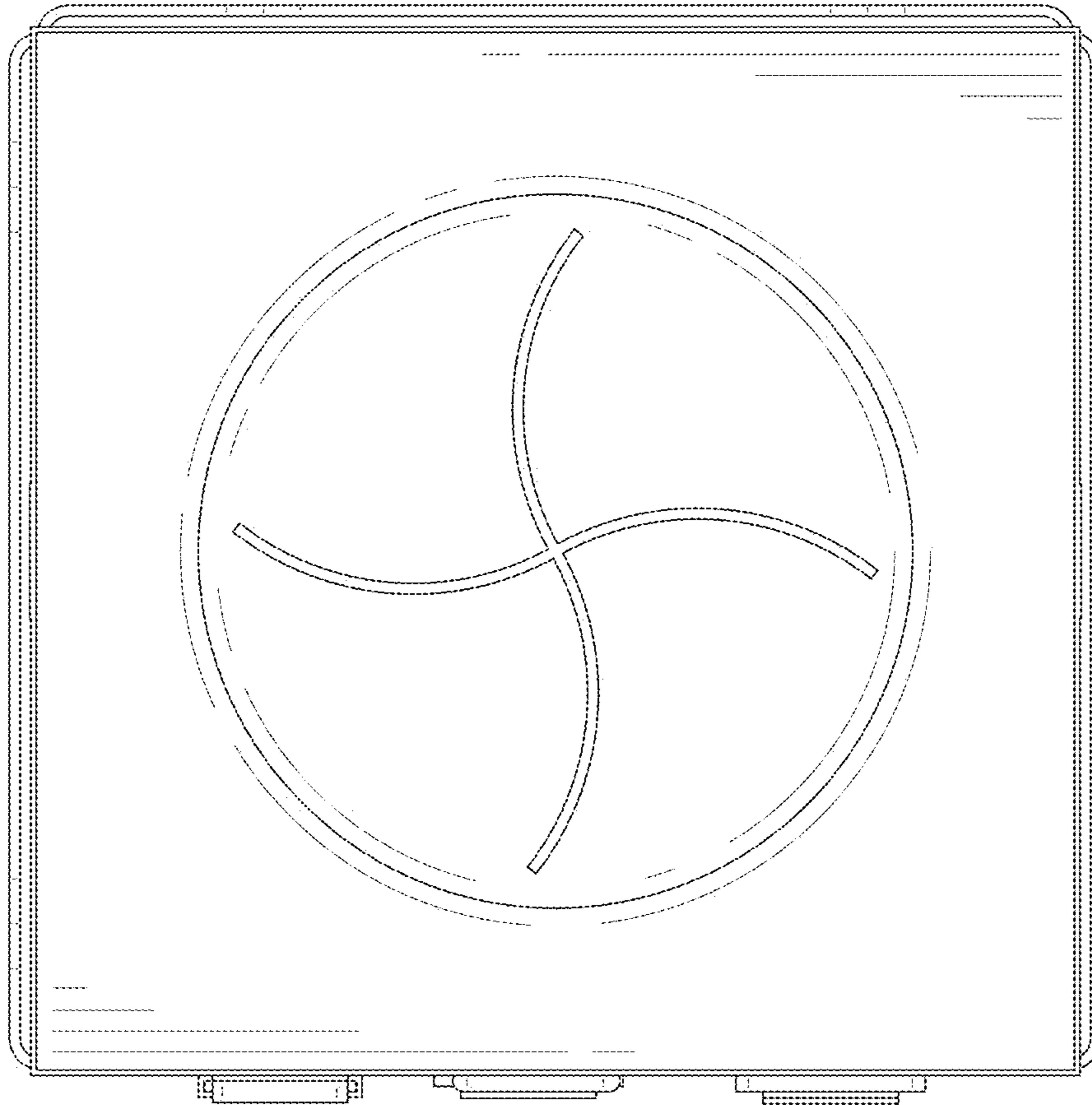


FIG. 7

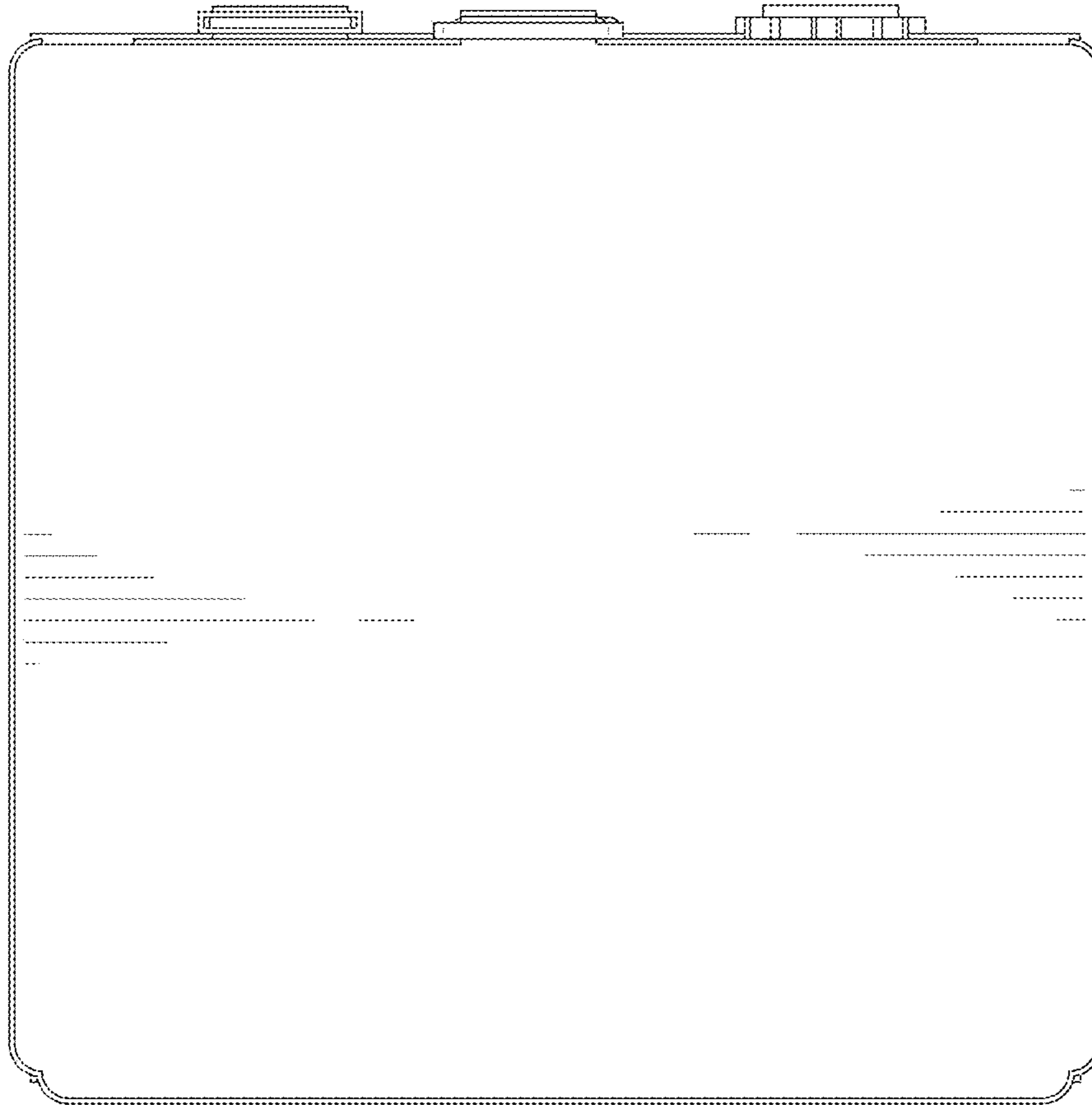


FIG. 8

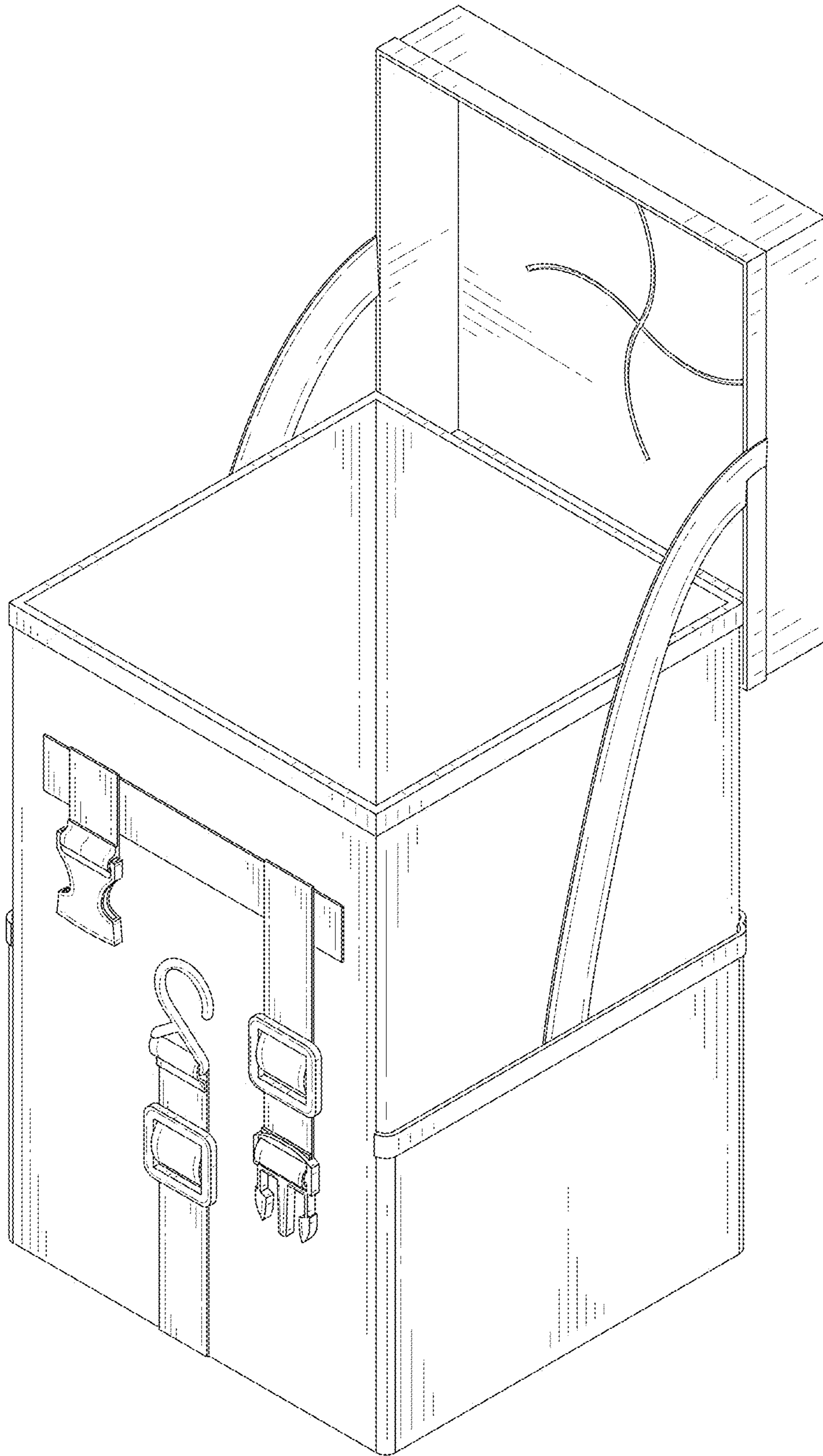


FIG.9

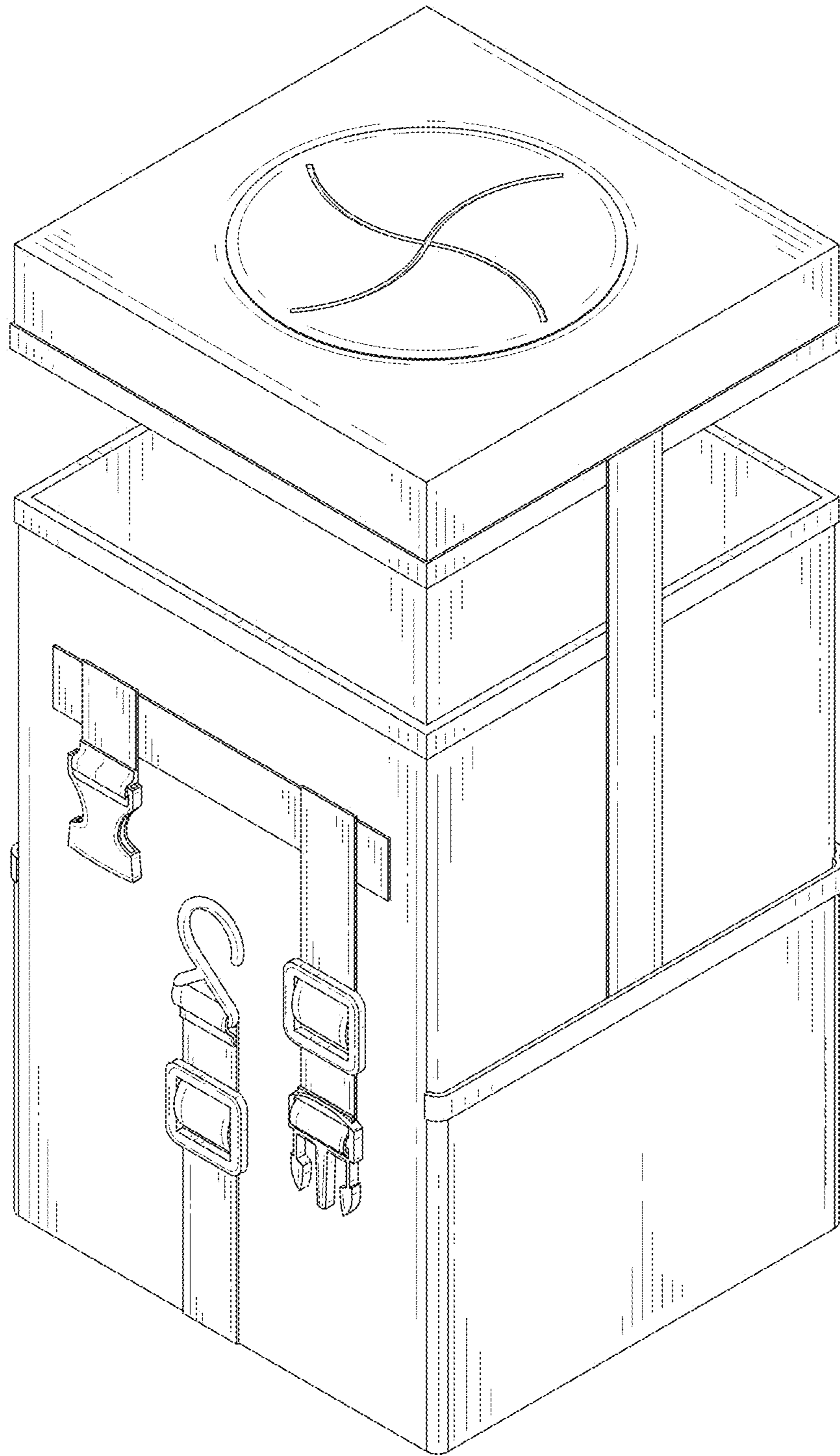


FIG. 10