



US00D982867S

(12) **United States Design Patent**
Xu

(10) **Patent No.:** **US D982,867 S**
(45) **Date of Patent:** **** Apr. 4, 2023**

- (54) **EXTENDABLE DISH DRYING RACK**
- (71) Applicant: **Fuzhou Fireegg Electrical Appliances Co., LTD., Fuzhou (CN)**
- (72) Inventor: **Yixuan Xu, Fuzhou (CN)**
- (73) Assignee: **Fuzhou Fireegg Electrical Appliances Co., LTD., Fuzhou (CN)**
- (**) Term: **15 Years**
- (21) Appl. No.: **29/869,529**
- (22) Filed: **Jan. 3, 2023**
- (51) **LOC (14) Cl.** **07-05**
- (52) **U.S. Cl.**
USPC **D32/55**
- (58) **Field of Classification Search**
USPC D32/55, 276, 3; D6/510, 525; D30/133;
211/41.5, 41.4, 41.3, 41.8; 361/679.4;
312/311, 333, 334.4; D7/354, 629
CPC A47J 47/20; A47J 2201/00; A47J 47/00;
B65D 35/02; B65D 35/22; B65D 35/56
See application file for complete search history.

(56) **References Cited**

U.S. PATENT DOCUMENTS

D647,678 S *	10/2011	Yang	D32/55
D699,413 S *	2/2014	Huang	D32/55
D799,133 S *	10/2017	Wong	D32/55
D887,098 S *	6/2020	Li	D32/55
D915,707 S *	4/2021	Li	D32/55
D915,708 S *	4/2021	Tang	D32/55
D919,218 S *	5/2021	Asis	D32/55
D921,319 S *	6/2021	Xie	D32/55
D925,852 S *	7/2021	XiangZe	D32/55

D957,079 S *	7/2022	Liang	D32/55
D957,779 S *	7/2022	Zang	
D960,478 S *	8/2022	Levi	D32/55
D961,877 S *	8/2022	Lin	D32/55
D967,583 S *	10/2022	Zheng	D32/55
D970,840 S *	11/2022	Xu	D32/55
D973,991 S *	12/2022	Lin	D32/55

* cited by examiner

Primary Examiner — Austin Murphy

(57) **CLAIM**

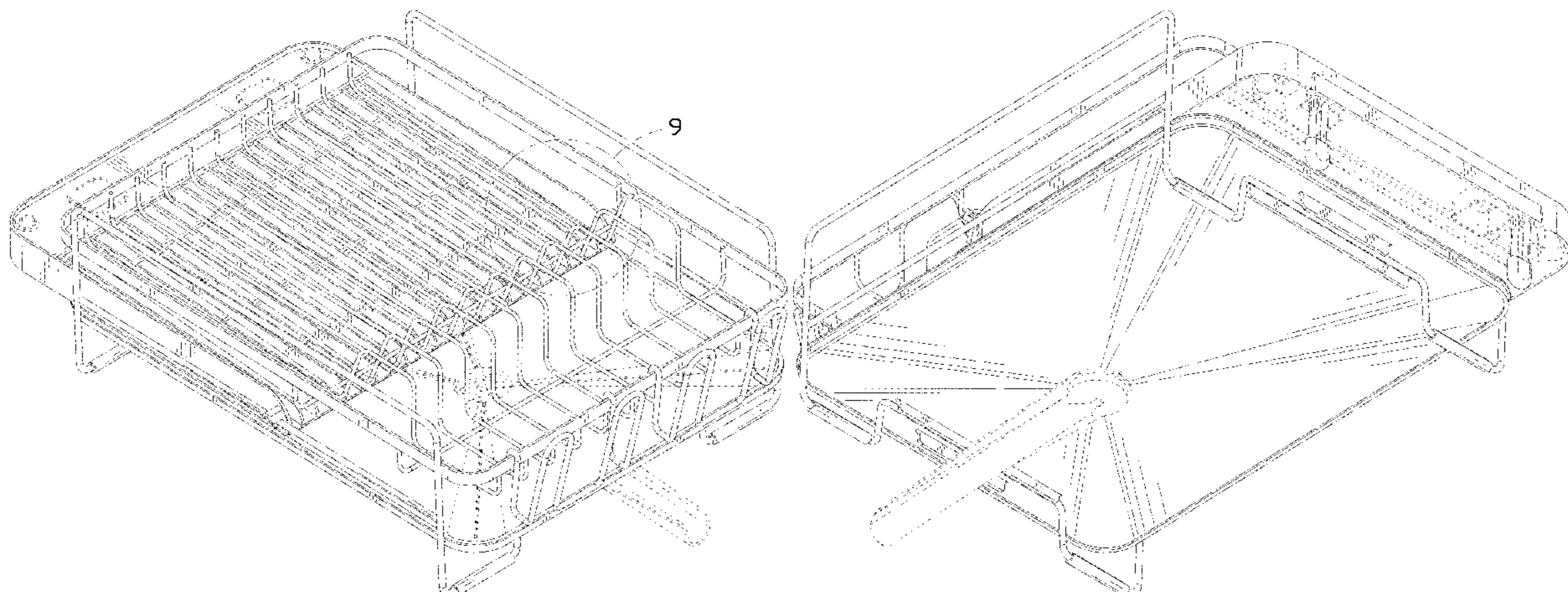
The ornamental design for an extendable dish drying rack, as shown and described.

DESCRIPTION

FIG. 1 is a front and top perspective view of an extendable dish drying rack, showing my new design;
 FIG. 2 is a rear and bottom perspective view thereof;
 FIG. 3 is a front elevation view thereof;
 FIG. 4 is a rear elevation view thereof;
 FIG. 5 is a left side elevation view thereof;
 FIG. 6 is a right side elevation view thereof;
 FIG. 7 is a top plan view thereof;
 FIG. 8 is a bottom plan view thereof;
 FIG. 9 is an enlarged perspective view of detail “9” identified in FIG. 1;
 FIG. 10 is an enlarged perspective view of detail “10” identified in FIG. 6; and,
 FIG. 11 is an enlarged perspective view of detail “11” identified in FIG. 7.

The dashed lines in the figures illustrate portions of the extendable dish drying rack that form no part of the, claimed design. The dash dot dash lines in FIGS. 1, 6, 7, 9, 10 and 11 are for the purpose of illustrating the enlarged views indicators and form no part of the claimed design.

1 Claim, 11 Drawing Sheets



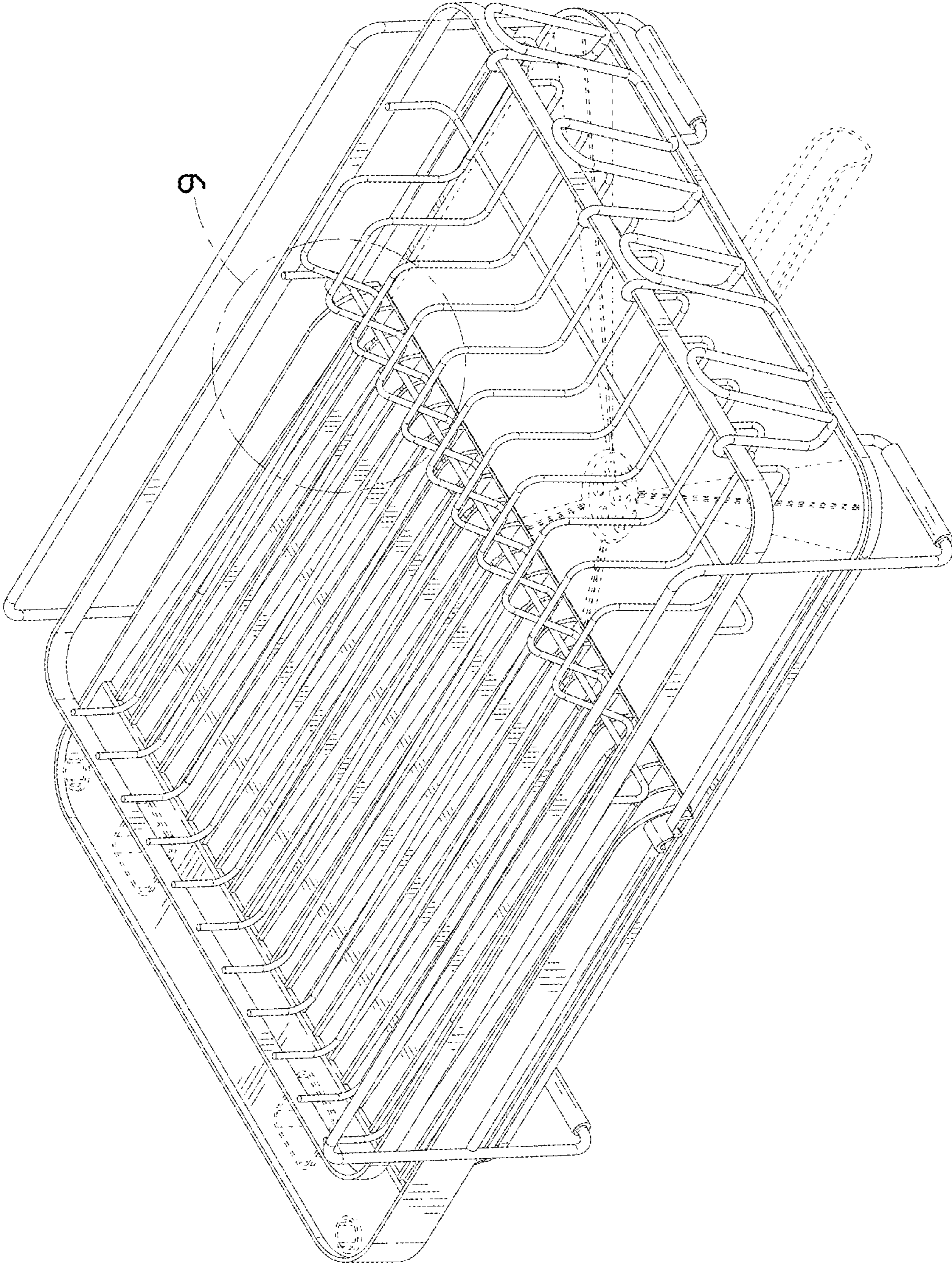


FIG. 1

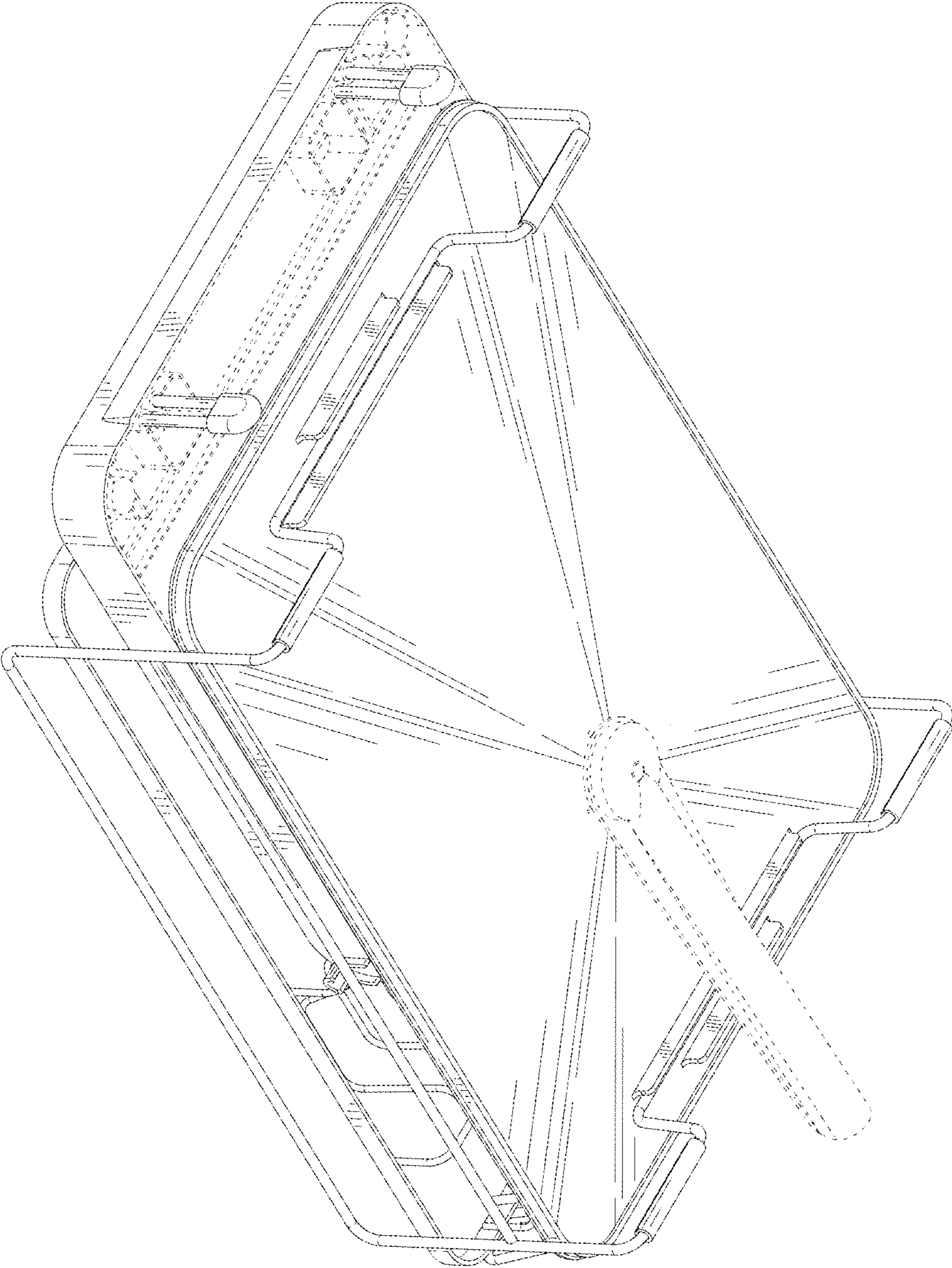


FIG. 2

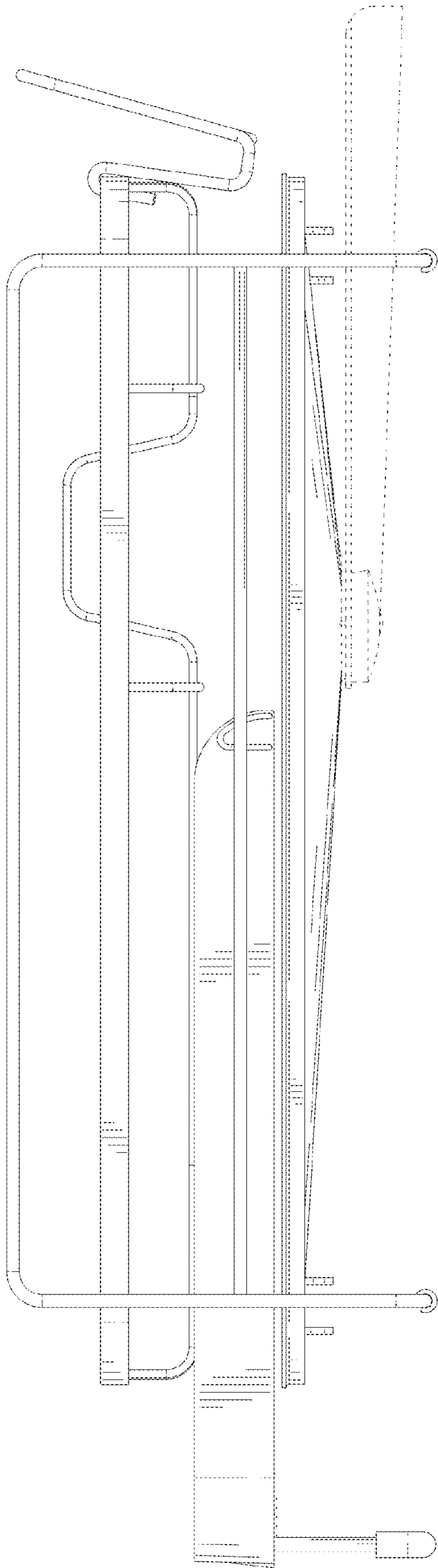


FIG. 3

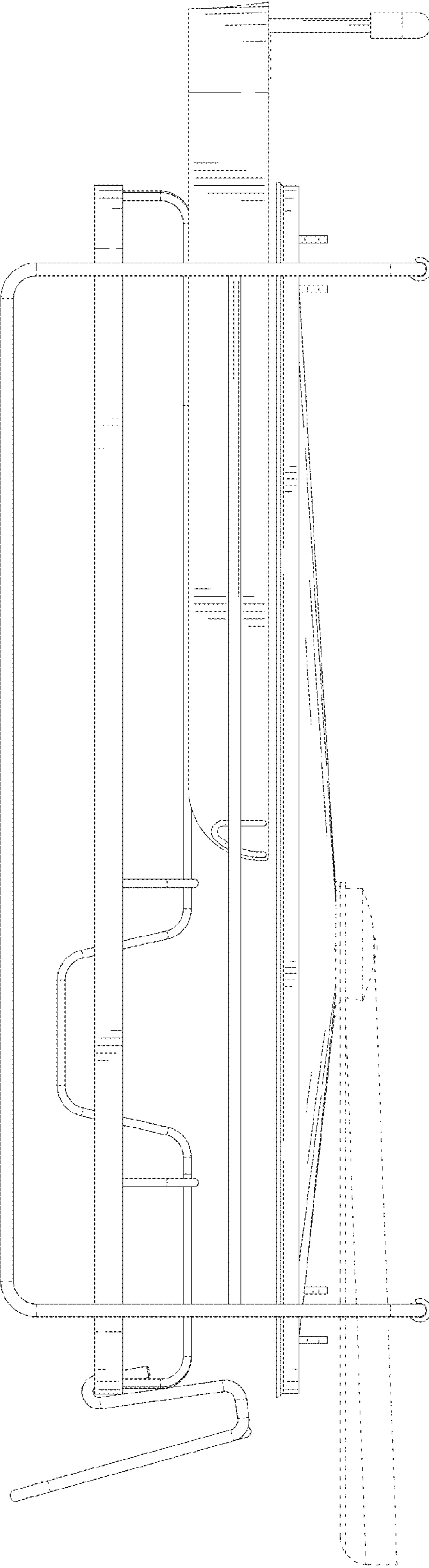


FIG. 4

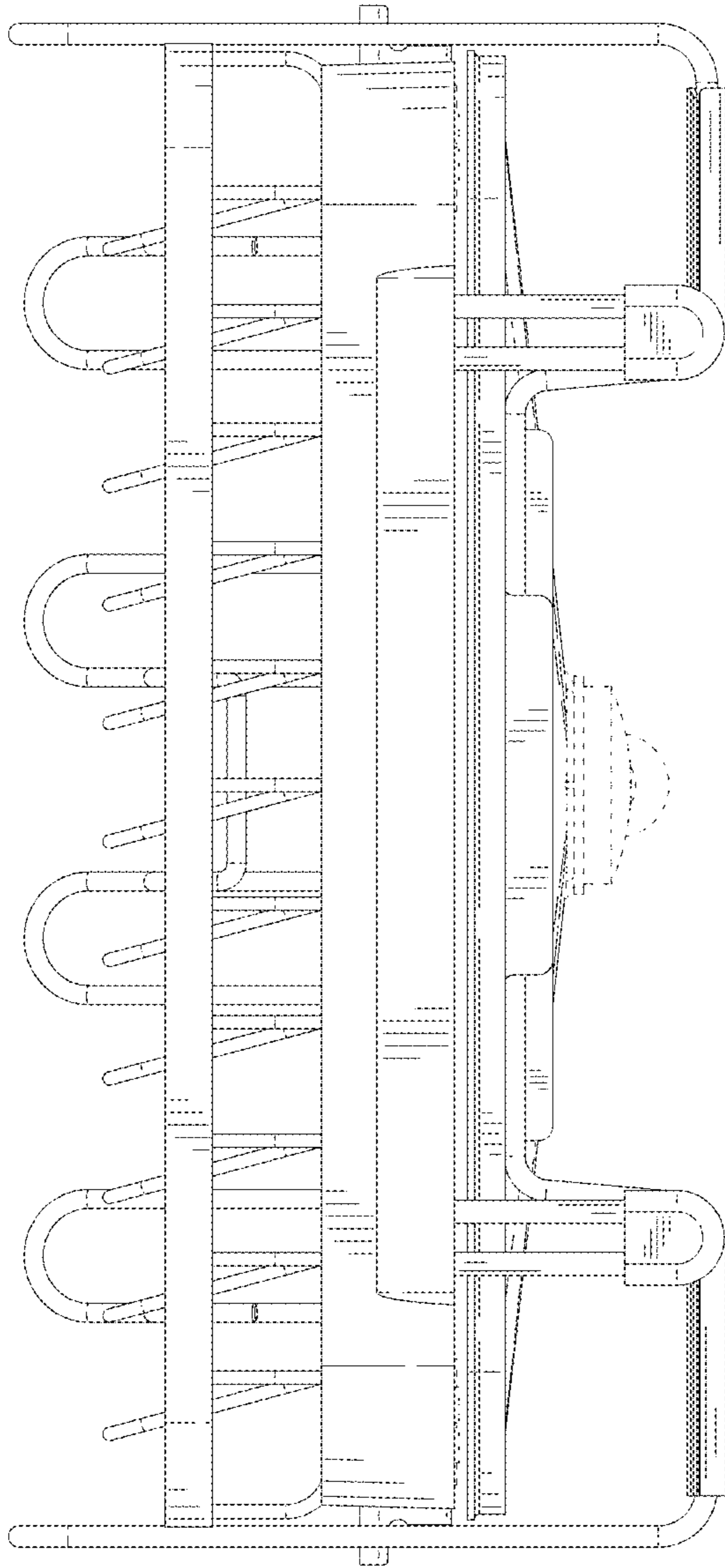


FIG. 5

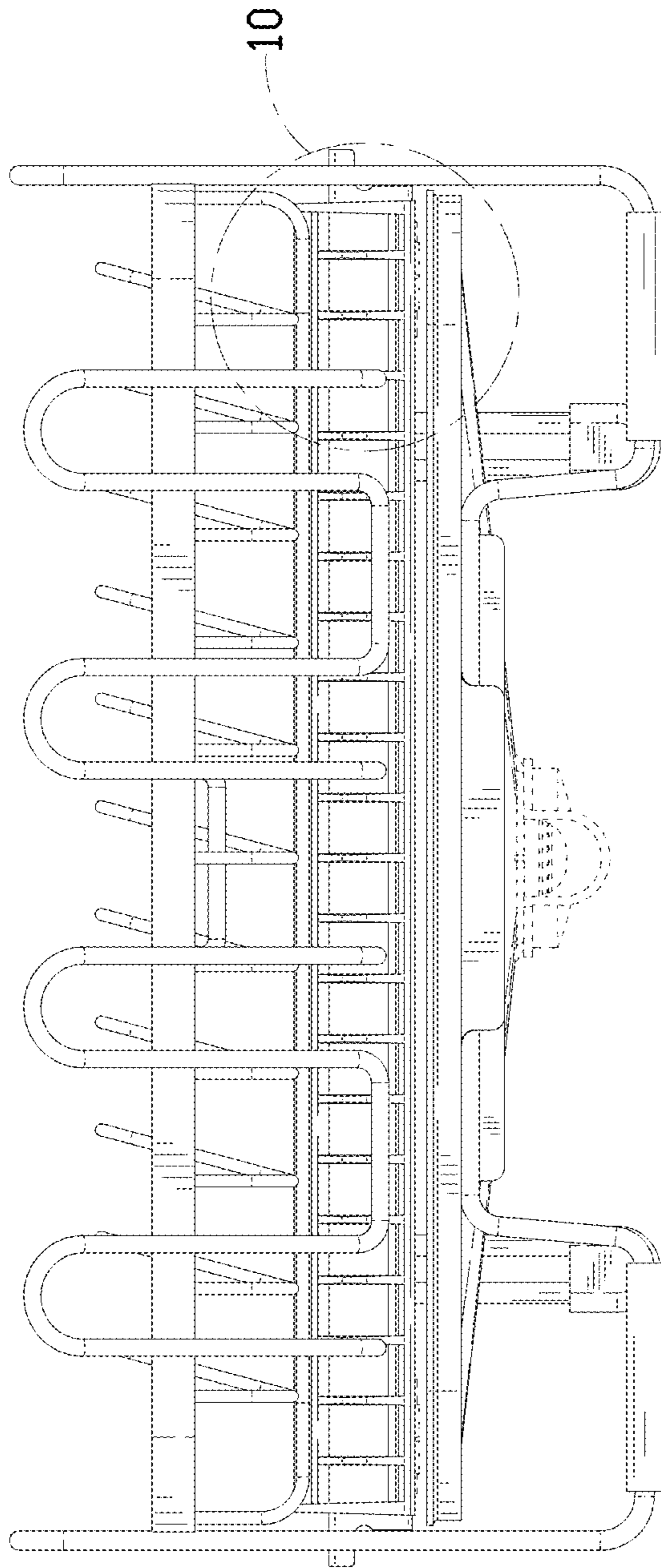
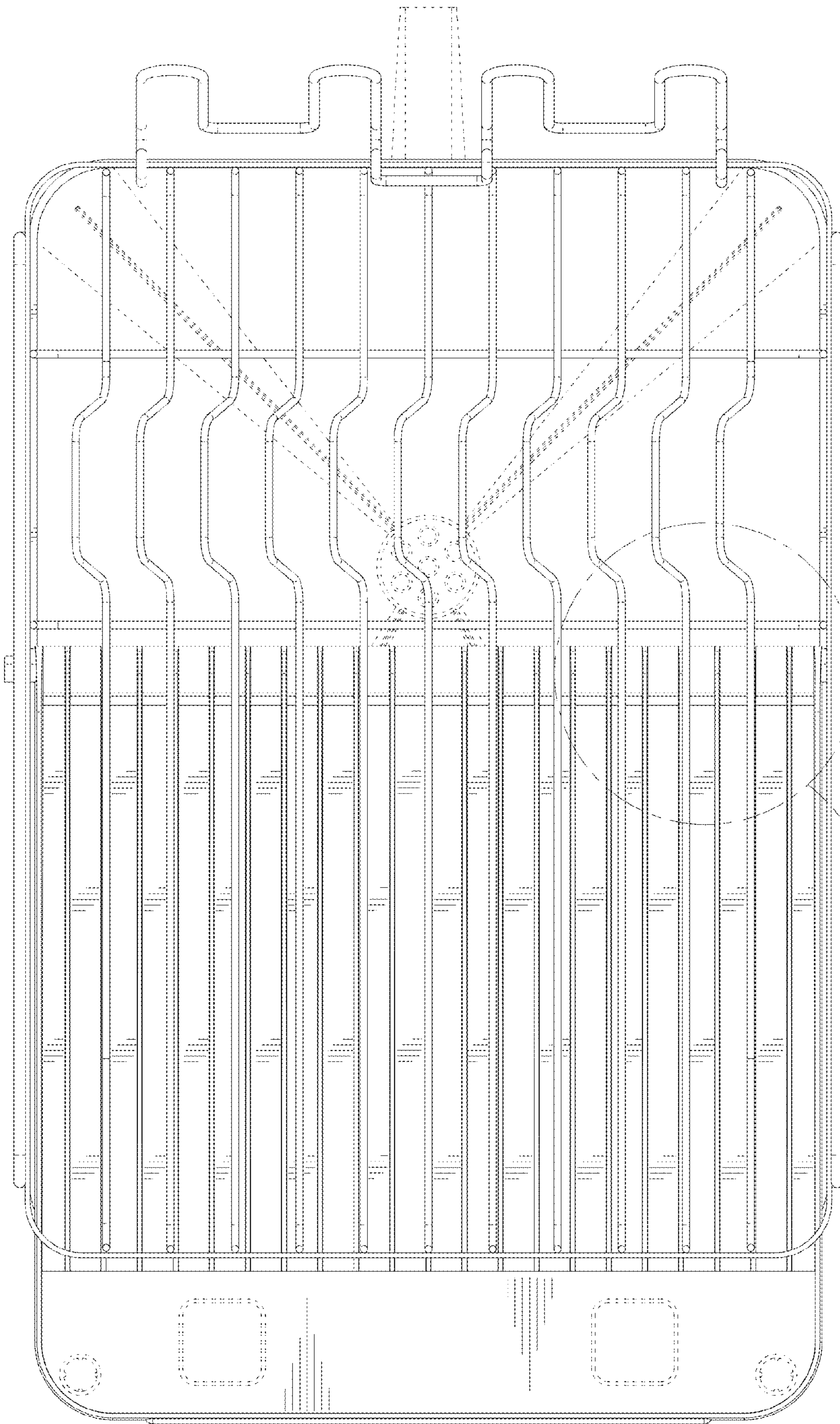


FIG. 6



11
FIG. 7

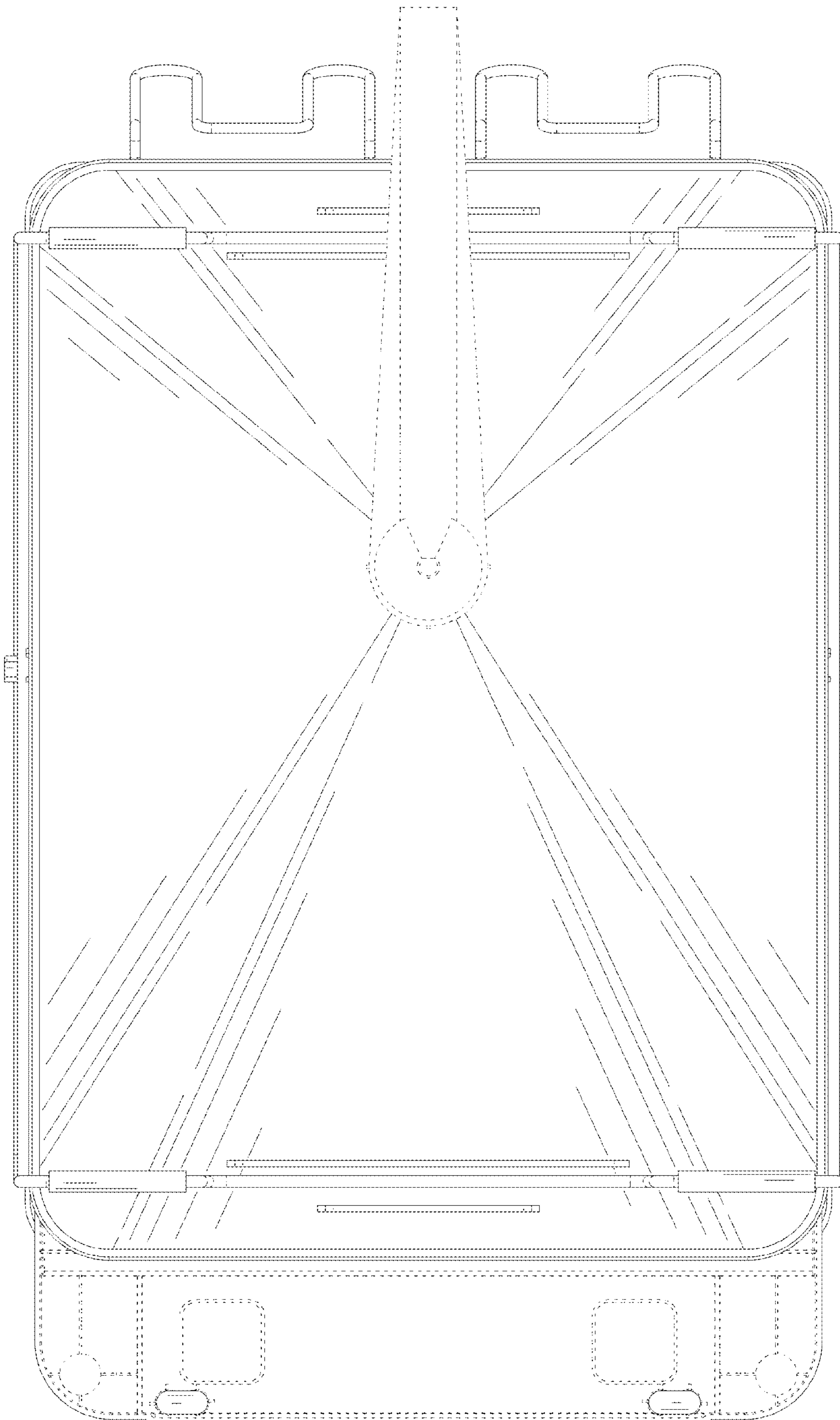


FIG. 8

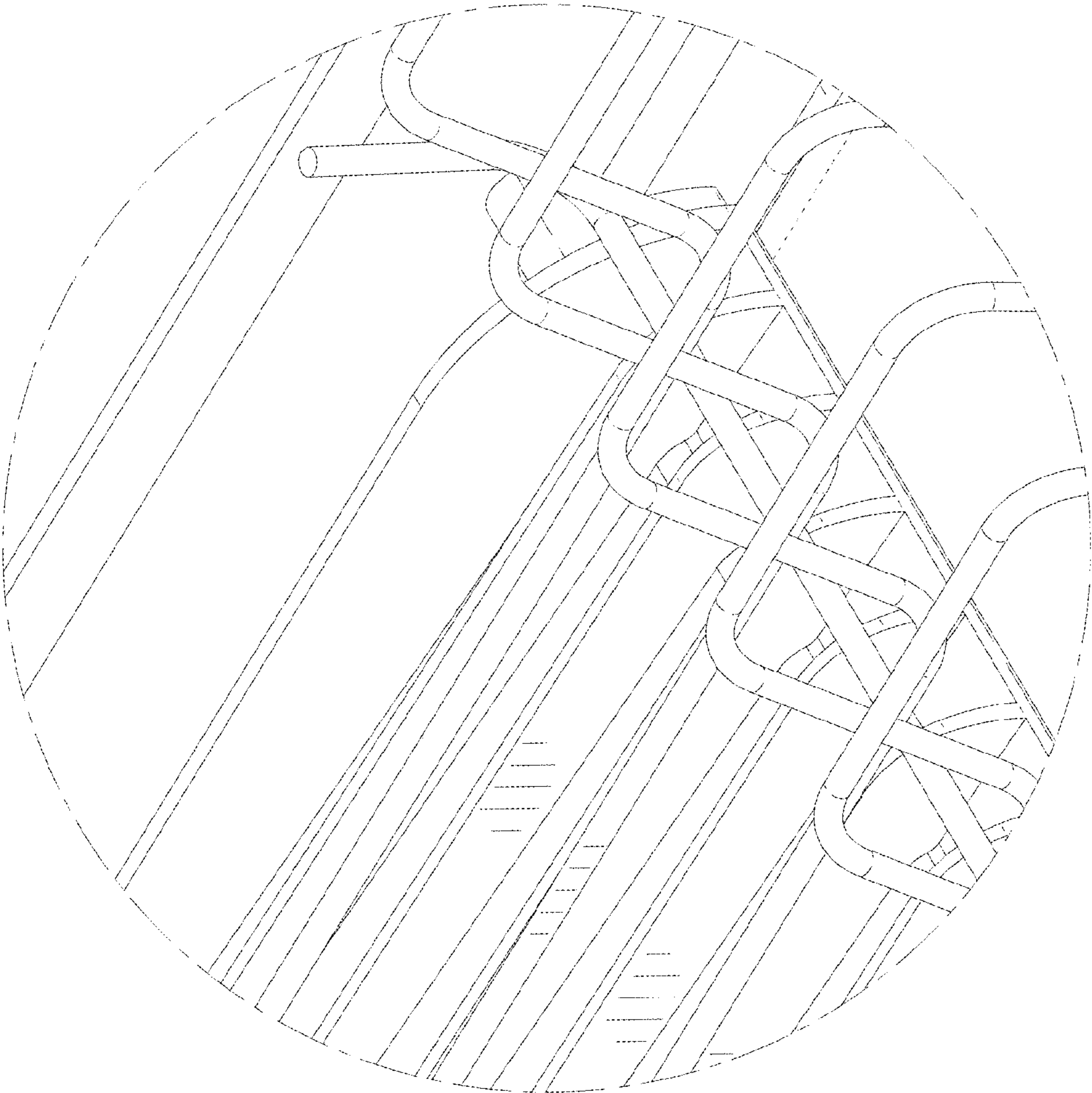


FIG. 9

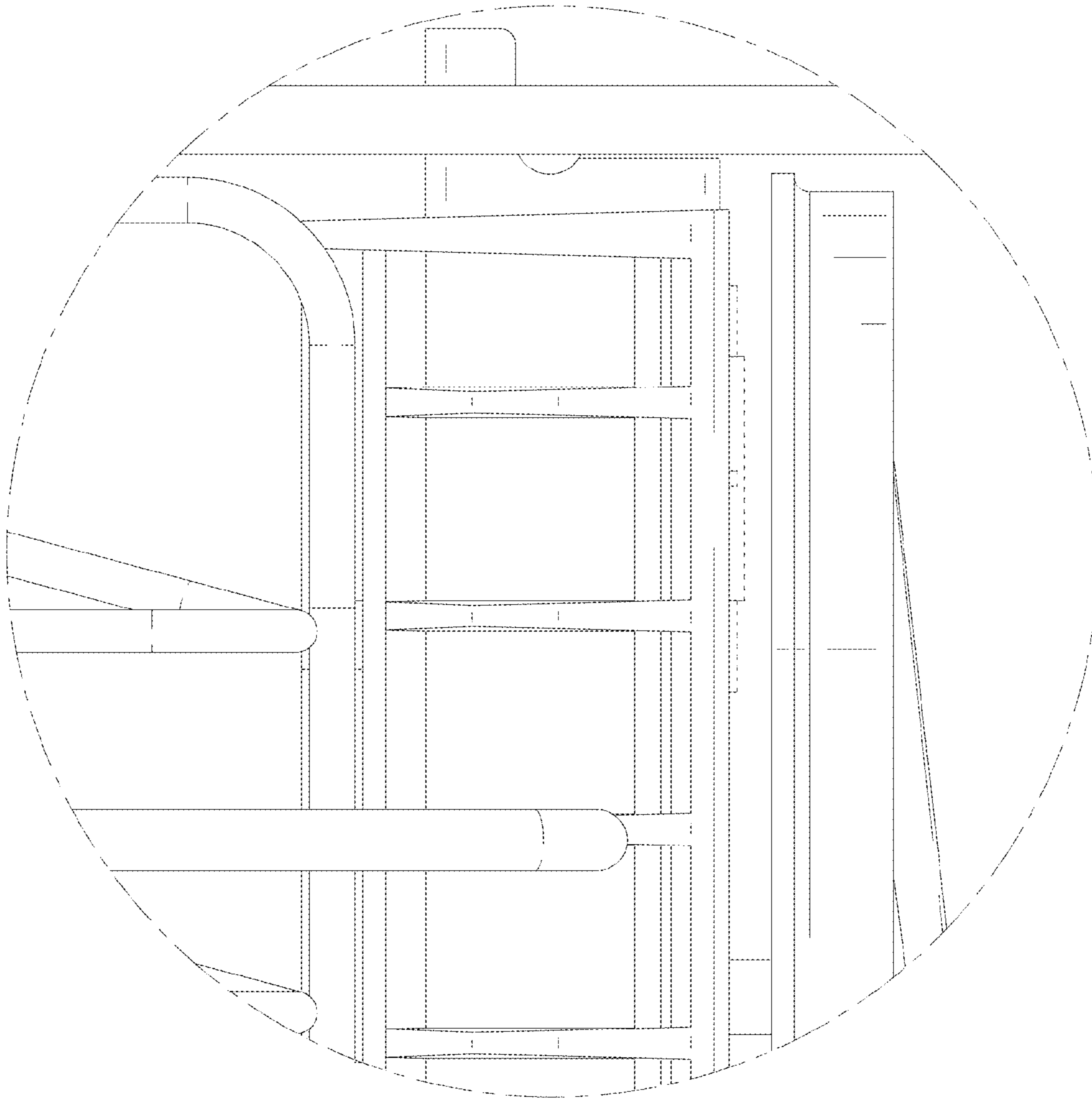


FIG. 10

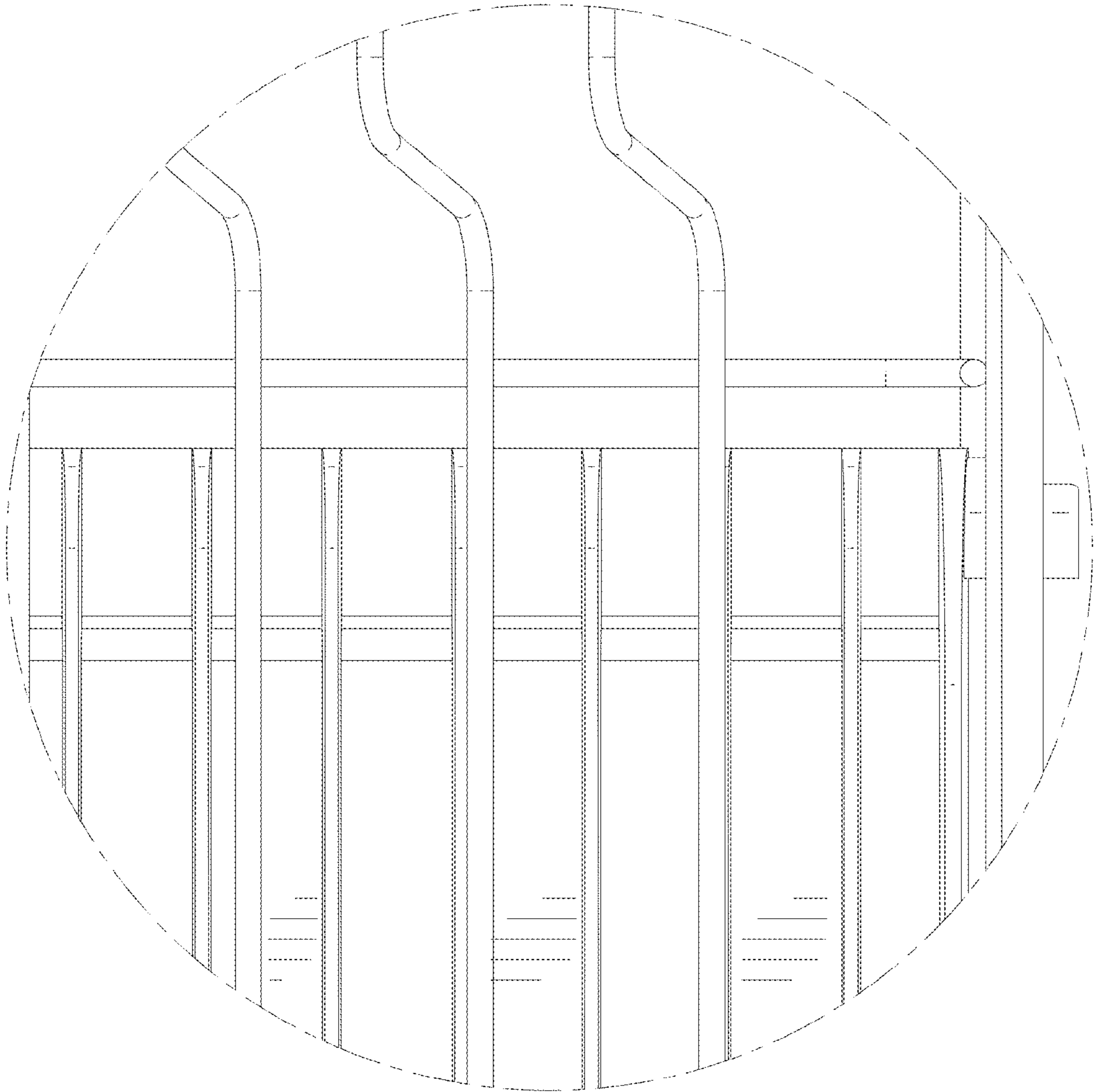


FIG. 11